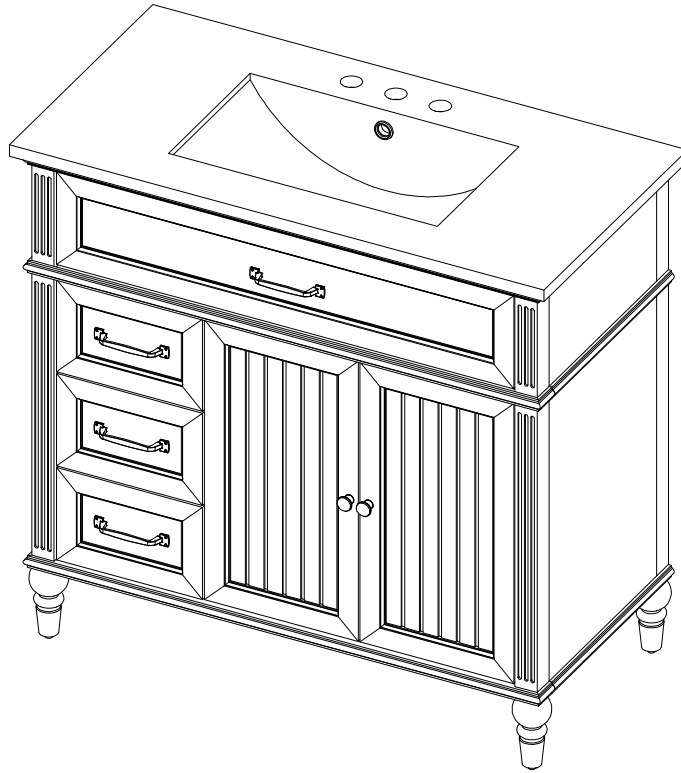


ASSEMBLY INSTRUCTIONS

Thank you for purchasing this quality Product. Be sure to check all packing material carefully for small parts, which may have come loose inside carton during shipment. identify and count all parts and compare with the parts list below.



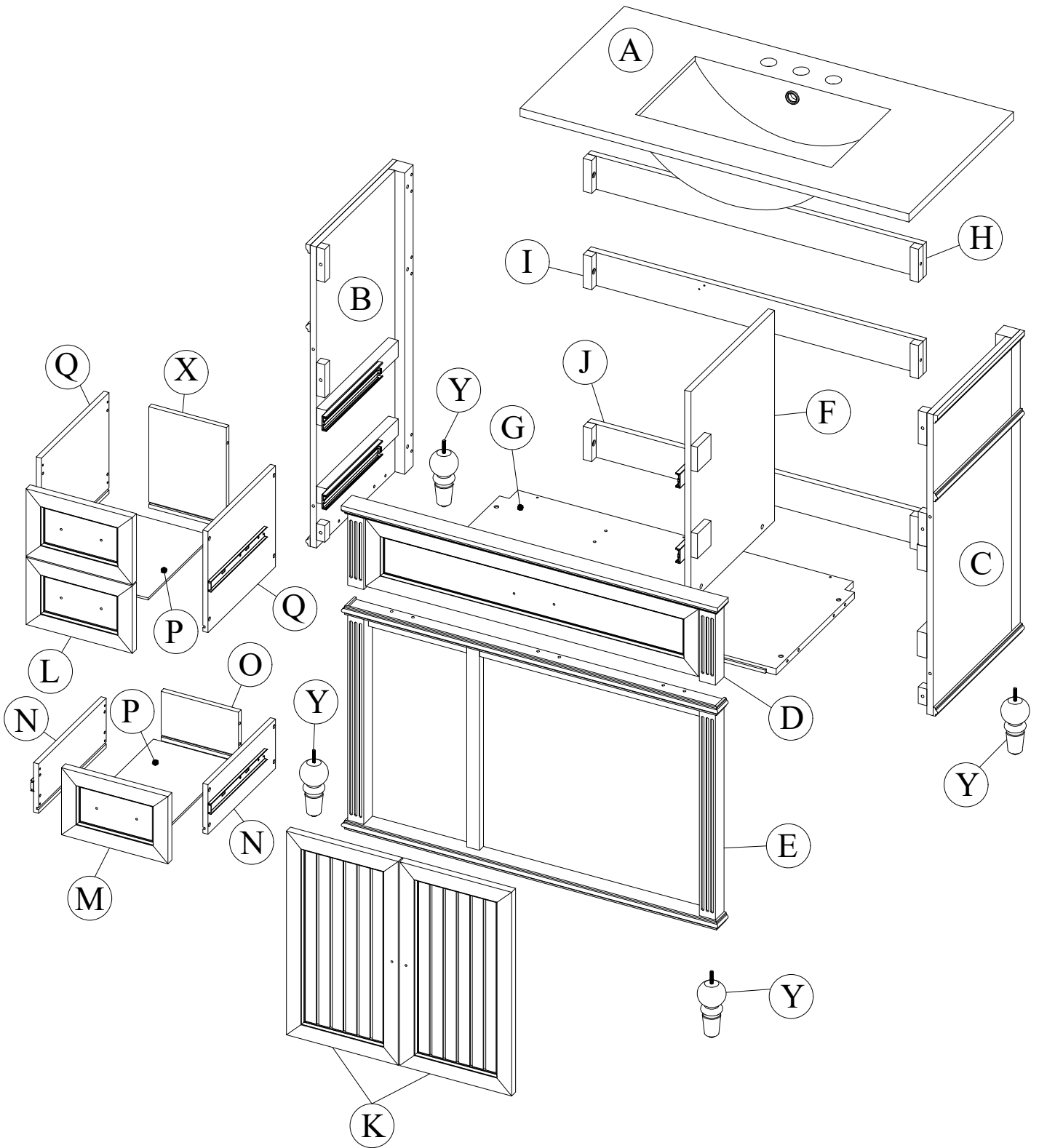
ASSEMBLY INSTRUCTION:

1. Remove hardware from box and sort by size.
2. Please check to see that all hardware and parts are present prior start of assembly.
3. Please follow attached instruction in the same sequence as numbered assure fast and easy assembly.

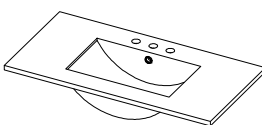
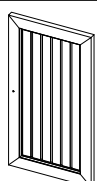
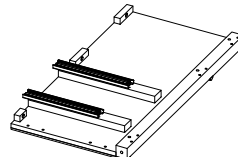
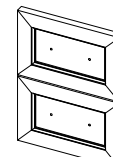
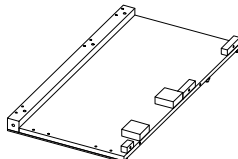
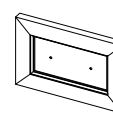
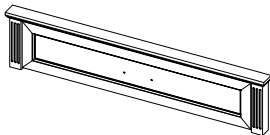
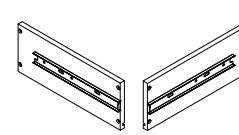
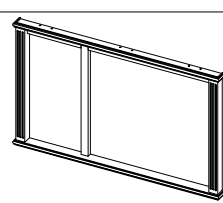
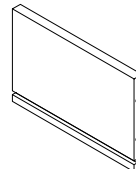
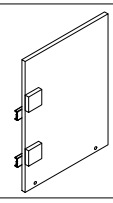
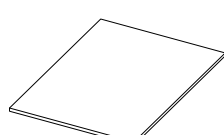
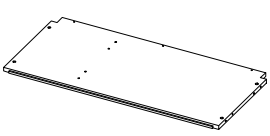
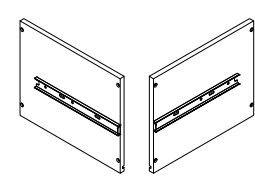
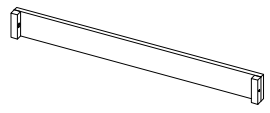

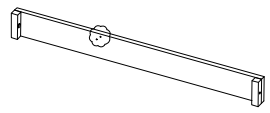
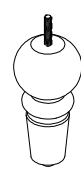
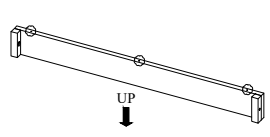
WARNING!

1. Don't attempt to repair or modify parts that are broken or defective. Please contact the store immediately.
2. This products for home use only and not intended for commercial establishments.
3. Two persons are required for assembly.
4. Approximate assembly time 1/2 hours.
5. Component parts and fittings contained in the box. Please sort out all parts before you begin to assemble the item. This is to make sure you always use the correct part.
6. It is **STRONGLY RECOMMENDED** that you **ANCHOR** this product tooling furniture can cause serious injuries and death. To prevent your furniture from tipping forward it is strongly recommended that you securely attach this product to a wall other solid surface, using the anchor straps provided appropriate fixings.




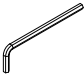
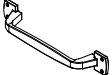


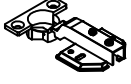

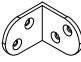

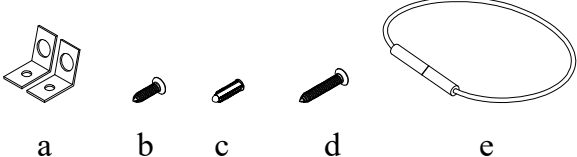


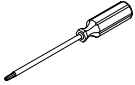

DETAIL VIEW



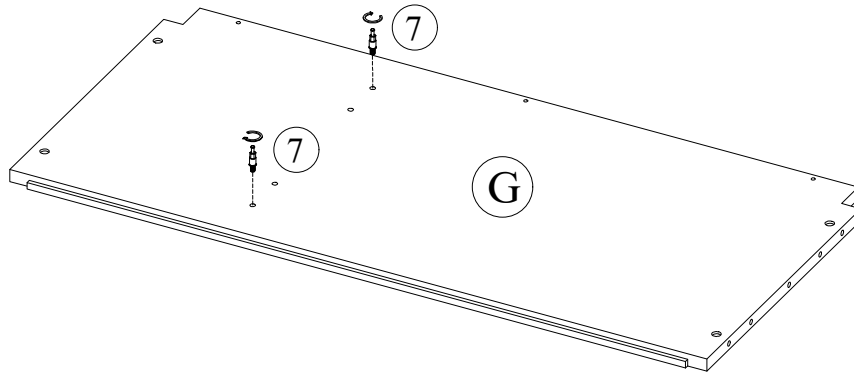
PART LIST

No.	Component		Q'ty	No.	Component		Q'ty
A		Sink	1	K		Doors (R/L)	2
B		Side panel (left)	1	L		Drawer Front (double)	1
C		Side panel (right)	1	M		Drawer Front	1
D		Front (top)	1	N		Drawer sides (R/L)	2
E		Front (bottom)	1	O		Drawer back	1
F		Middle panel	1	P		Drawer bottoms	2
G		Bottom	1	Q		Drawer sides (R/L) (double)	2
H		Back panel (top)	1	X		Drawer back (double)	1
I		Back panel (middle)	1	Y		Legs	4
J		Back panel (bottom)	1				

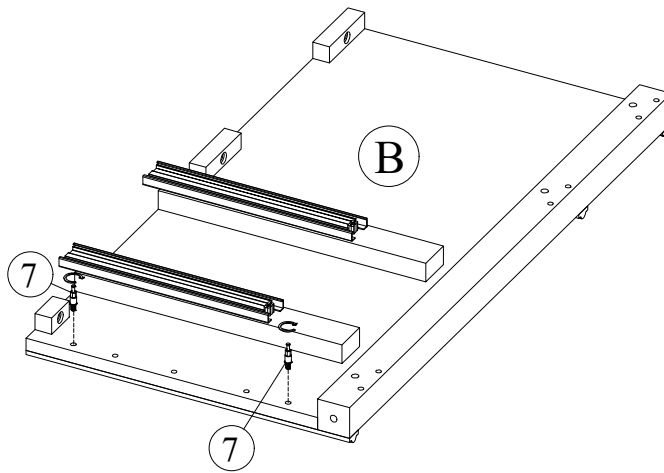
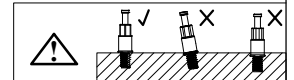
HARDWARE LIST

No.	Hardware	Q'ty	No.	Hardware	Q'ty
1	 Allen Bolts 1/4"x35	12	10	 Screws 4x15	32
2	 Wooden dowels	43	11	 Allen key	1
3	 Handles	4	12	 Hinges - right	2
4	 Knob	2	13	 Hinges - left	2
5	 Bolts M4x25	8	14	 Angle Brackets	2
6	 Bolts M4x15	2	15	 <p>a b c d e</p>	<p>Wall brackets 1 set</p>
7	 Cam lock screws	9			
8	 Cam locks	9	 <p>Not included</p>		
9	 Screws 4x25	19			

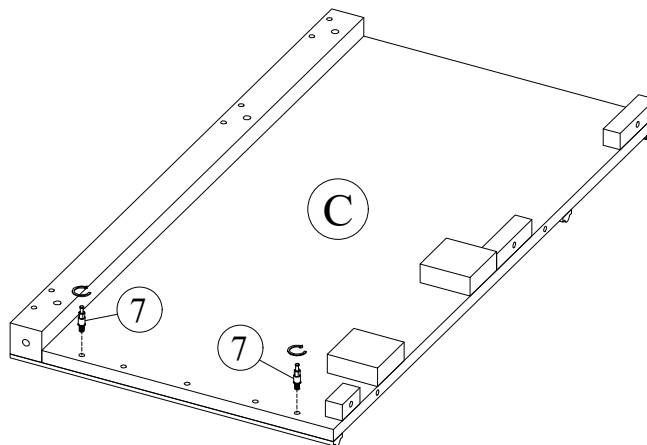
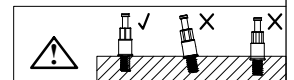
STEP 1



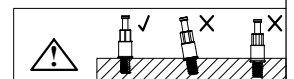
No.	Hardware	Q'ty
7	Cam lock screws	2



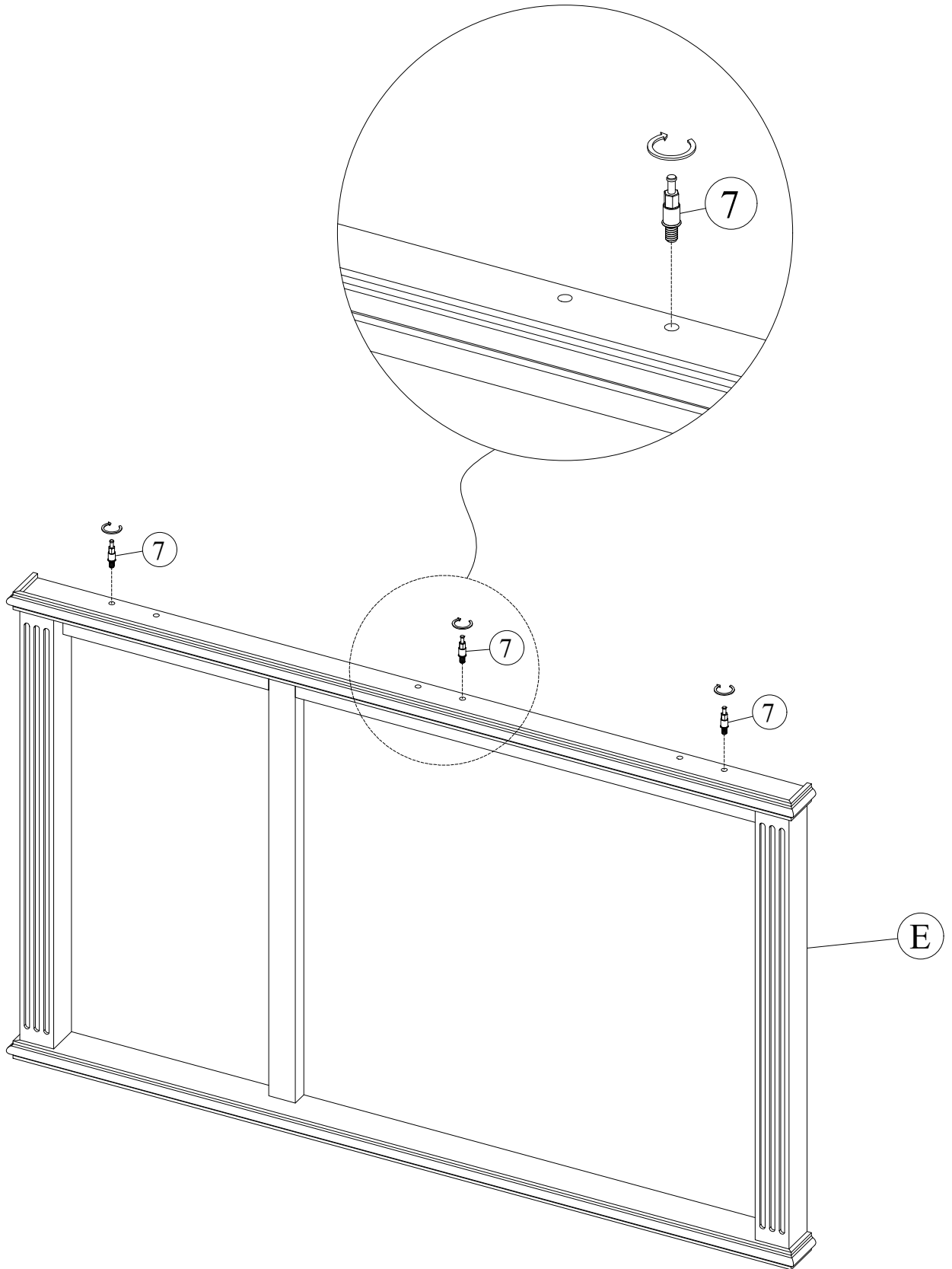
No.	Hardware	Q'ty
7	Cam lock screws	2



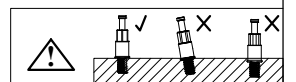
No.	Hardware	Q'ty
7	Cam lock screws	2



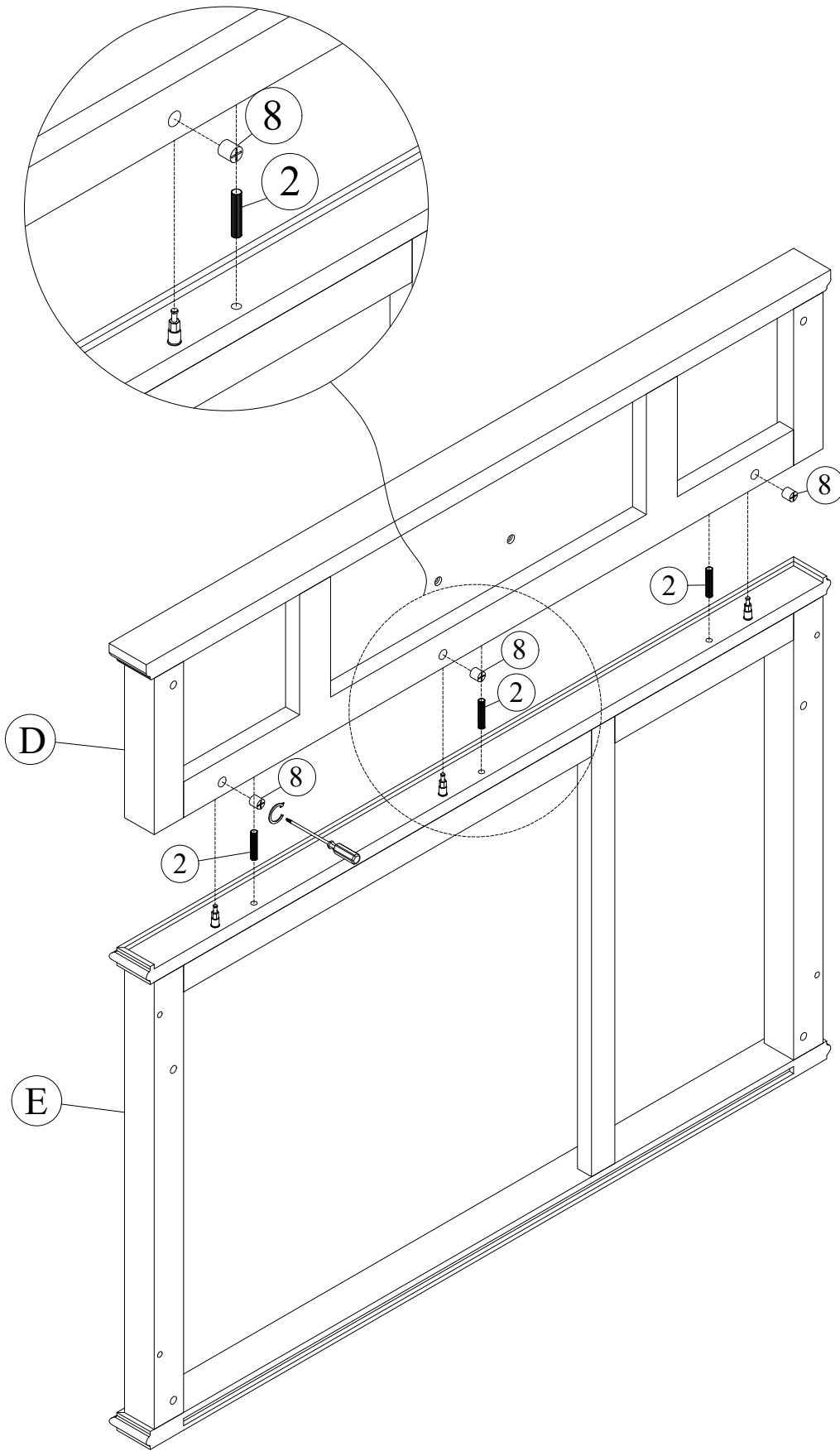
STEP 2



No.	Hardware	Q'ty
7	Cam lock screws	3

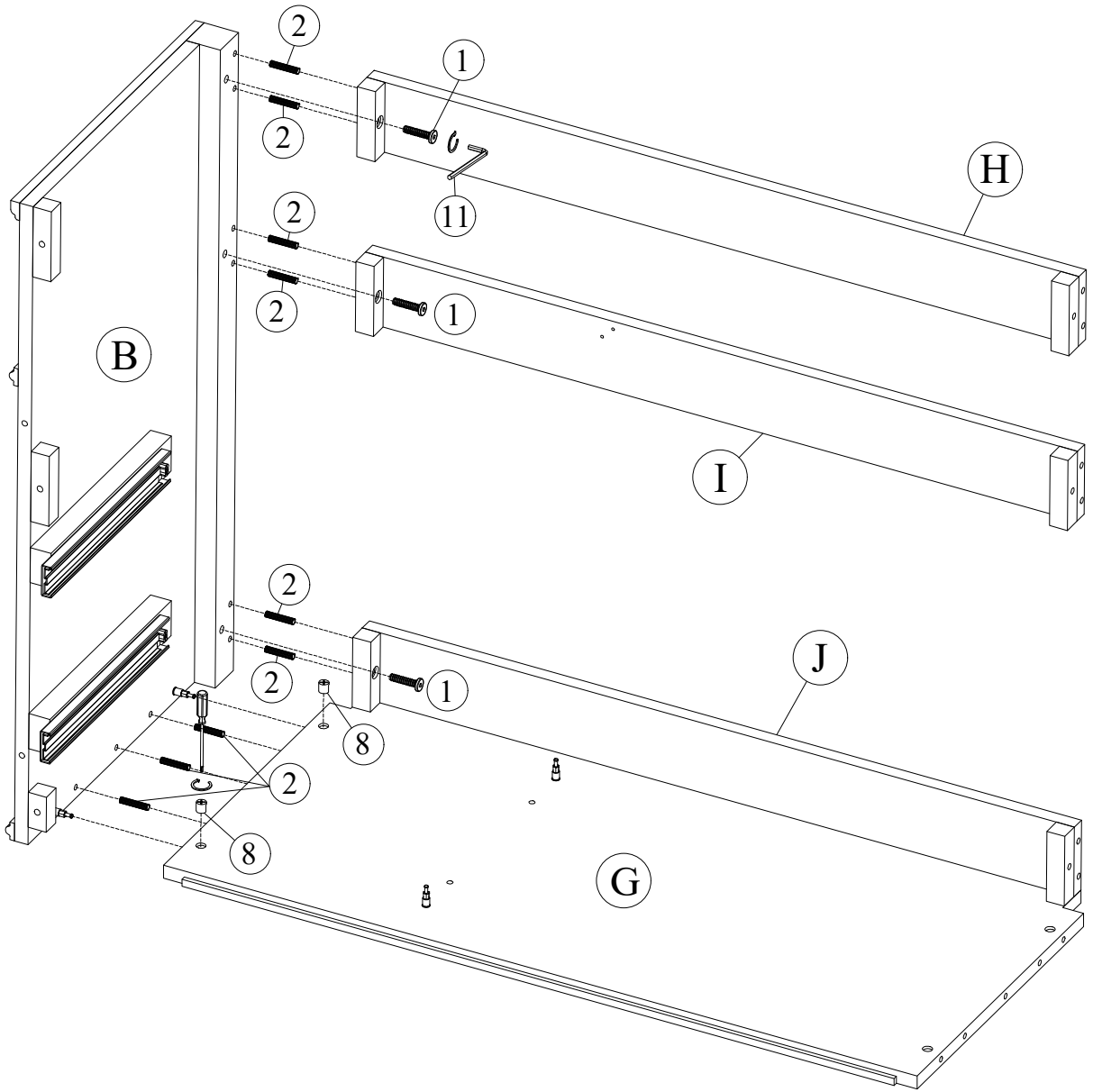


STEP 3



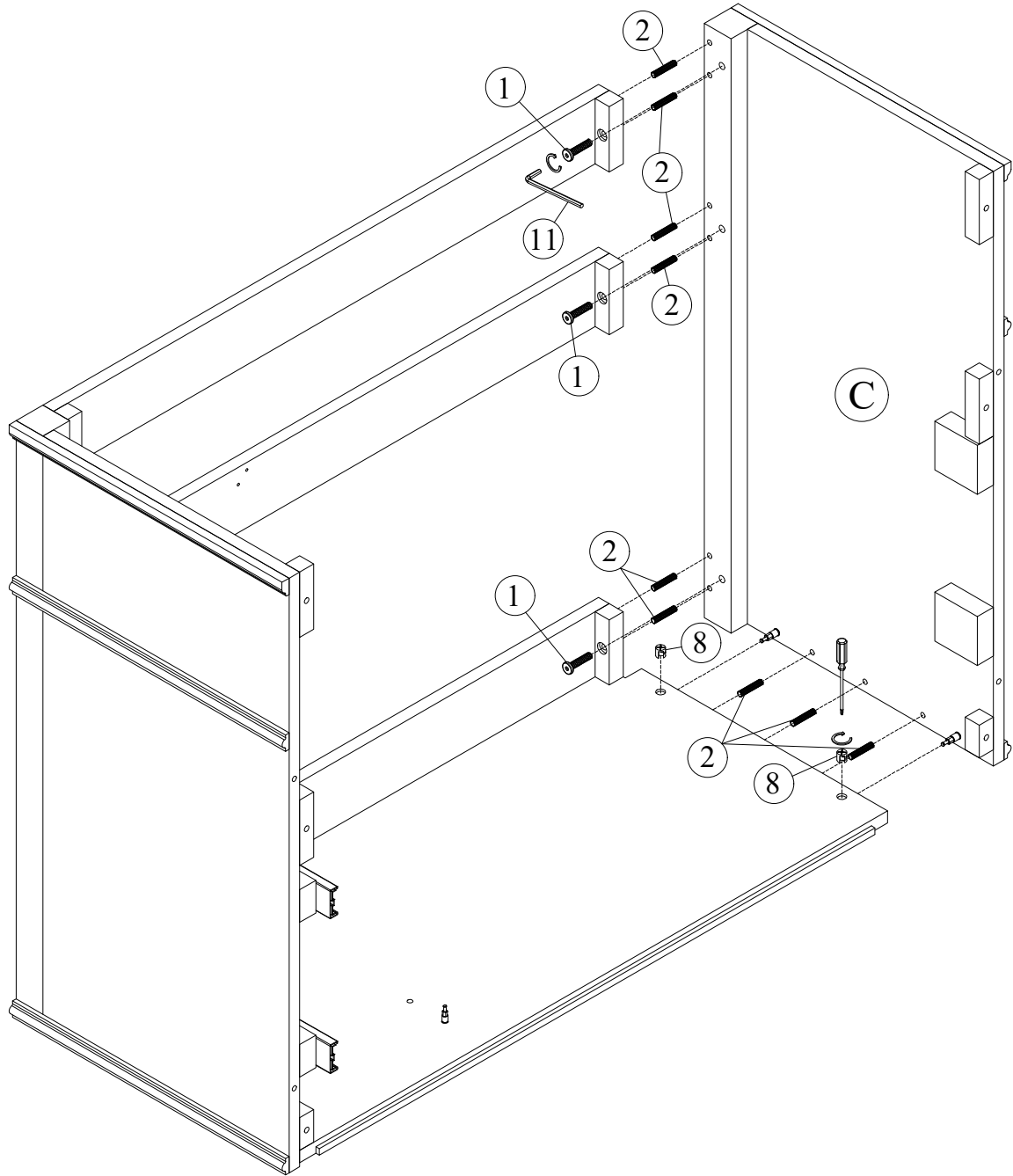
No.	Hardware	Q'ty
2	Wooden dowels	3
8	Cam locks	3

STEP 4



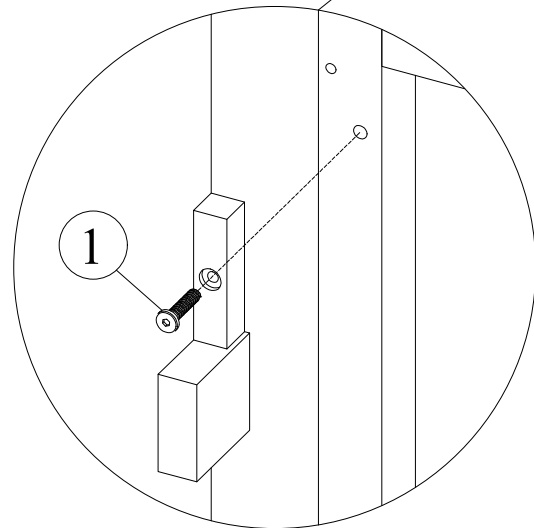
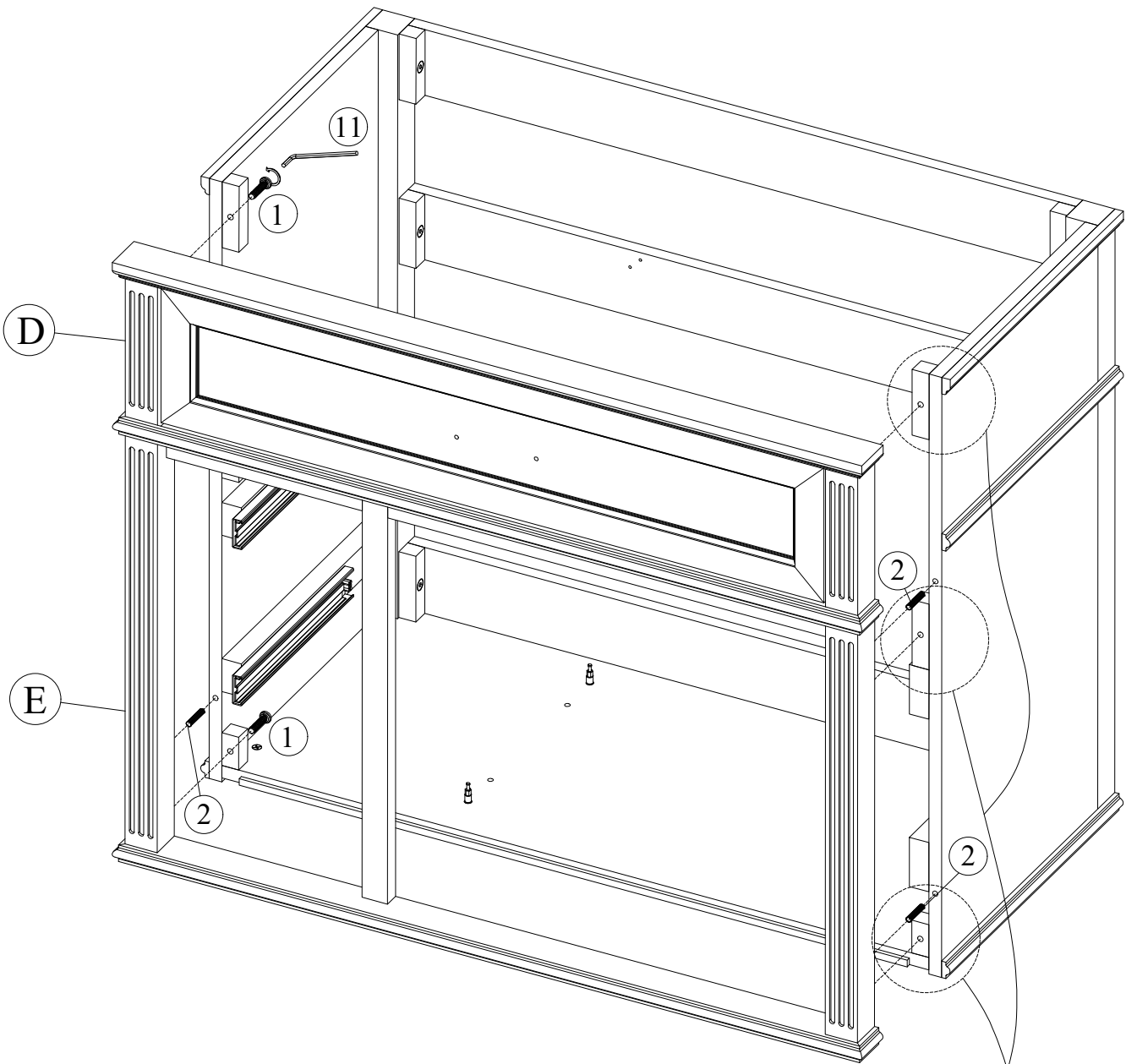
No.	Hardware	Q'ty
1	Allen Bolts 1/4"x35	3
2	Wooden dowels	9
8	Cam locks	2
11	Allen key	1

STEP 5



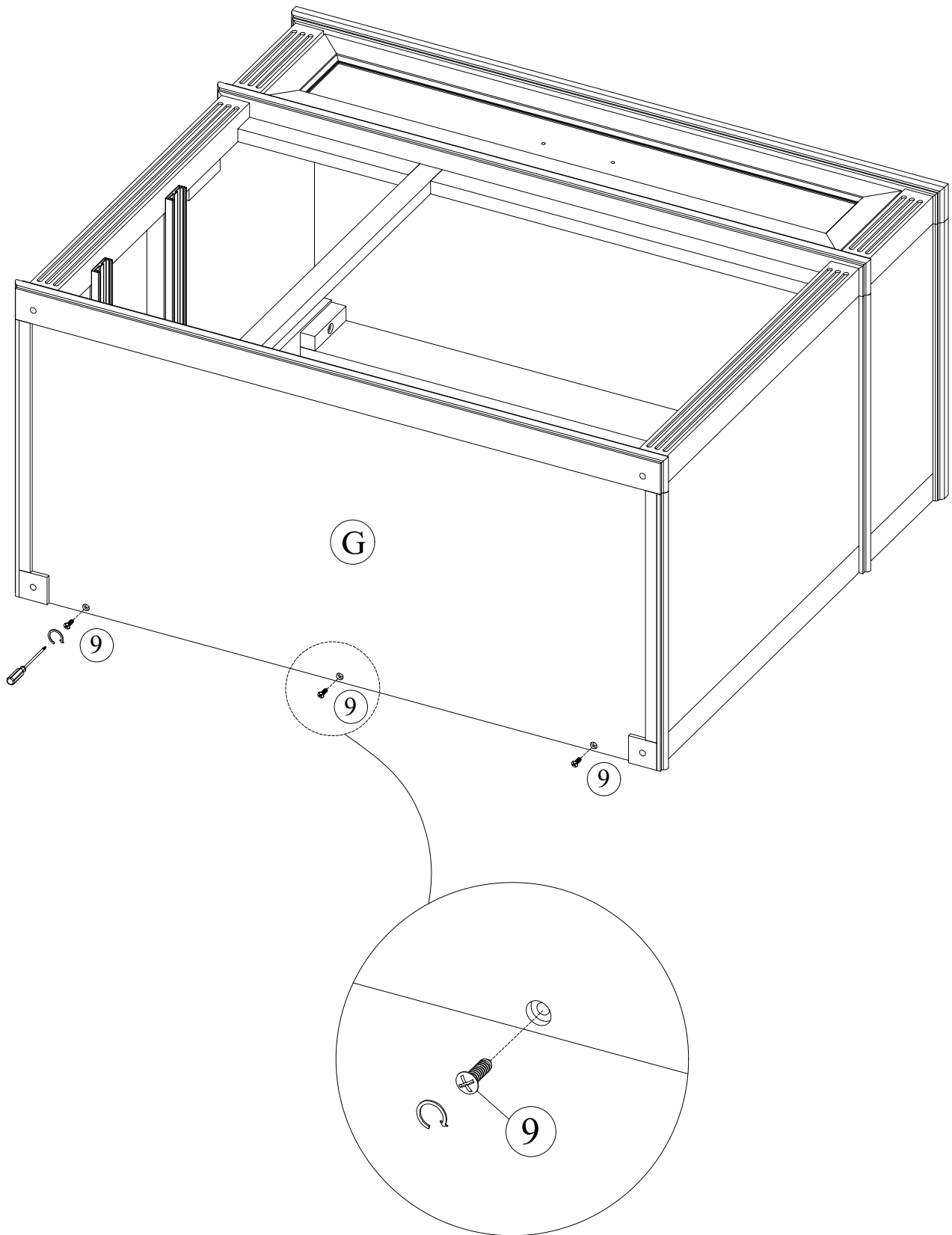
No.	Hardware	Q'ty
1	Allen Bolts 1/4"x35	3
2	Wooden dowels	9
8	Cam locks	2
11	Allen key	1

STEP 6



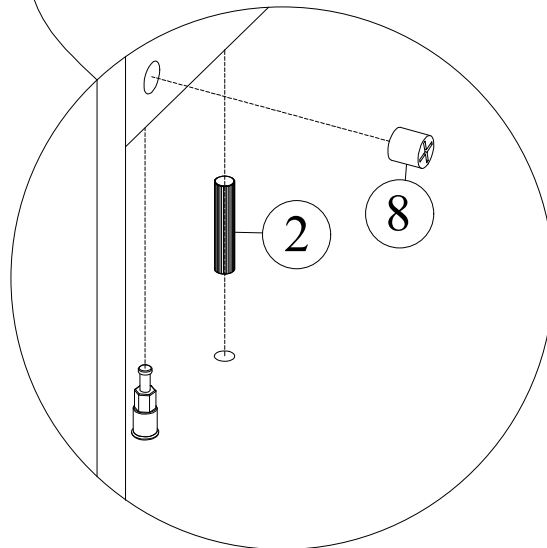
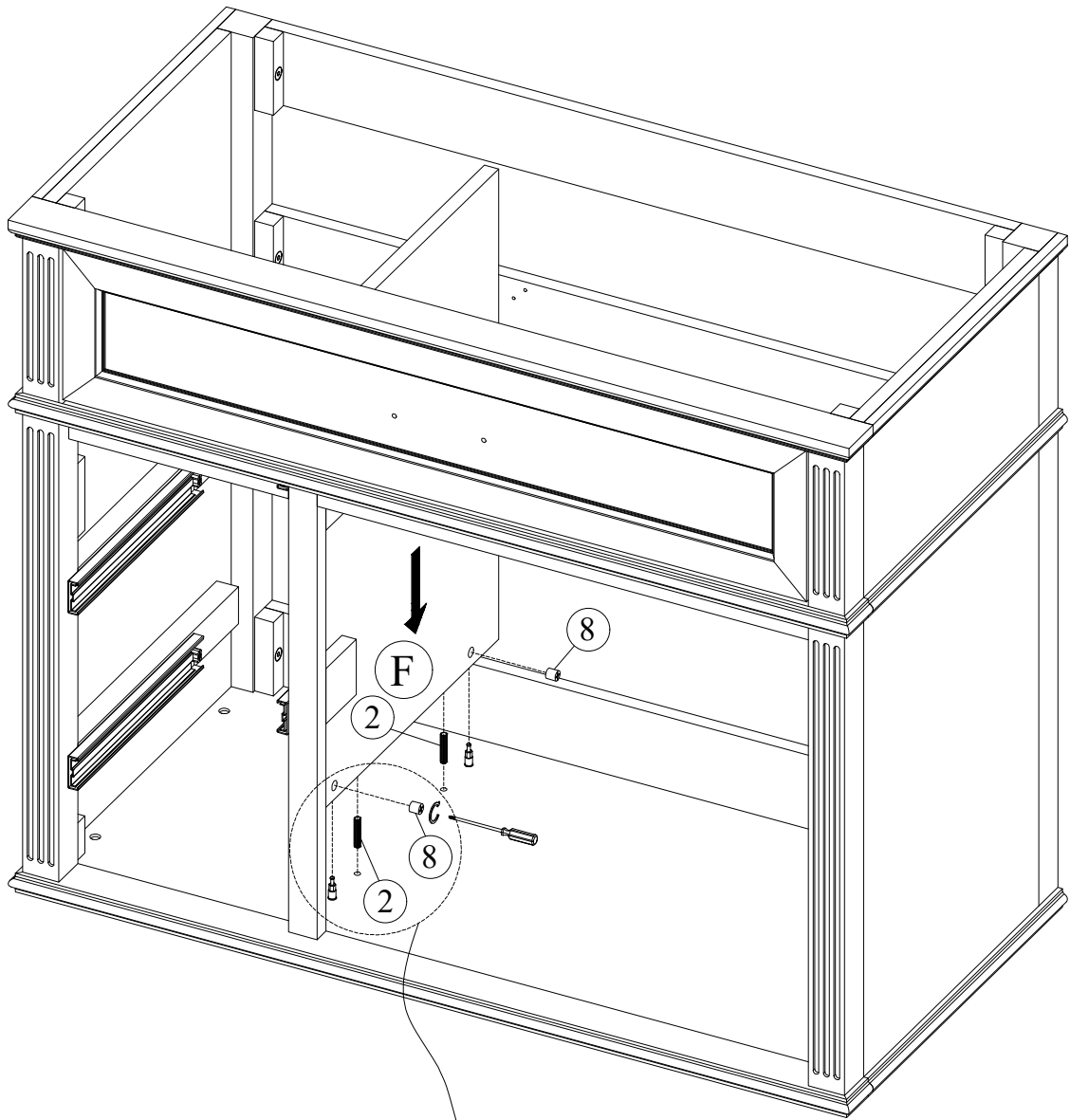
No.	Hardware	Q'ty
1	Allen Bolts 1/4"x35	6
2	Wooden dowels	4
11	Allen key	1

STEP 7



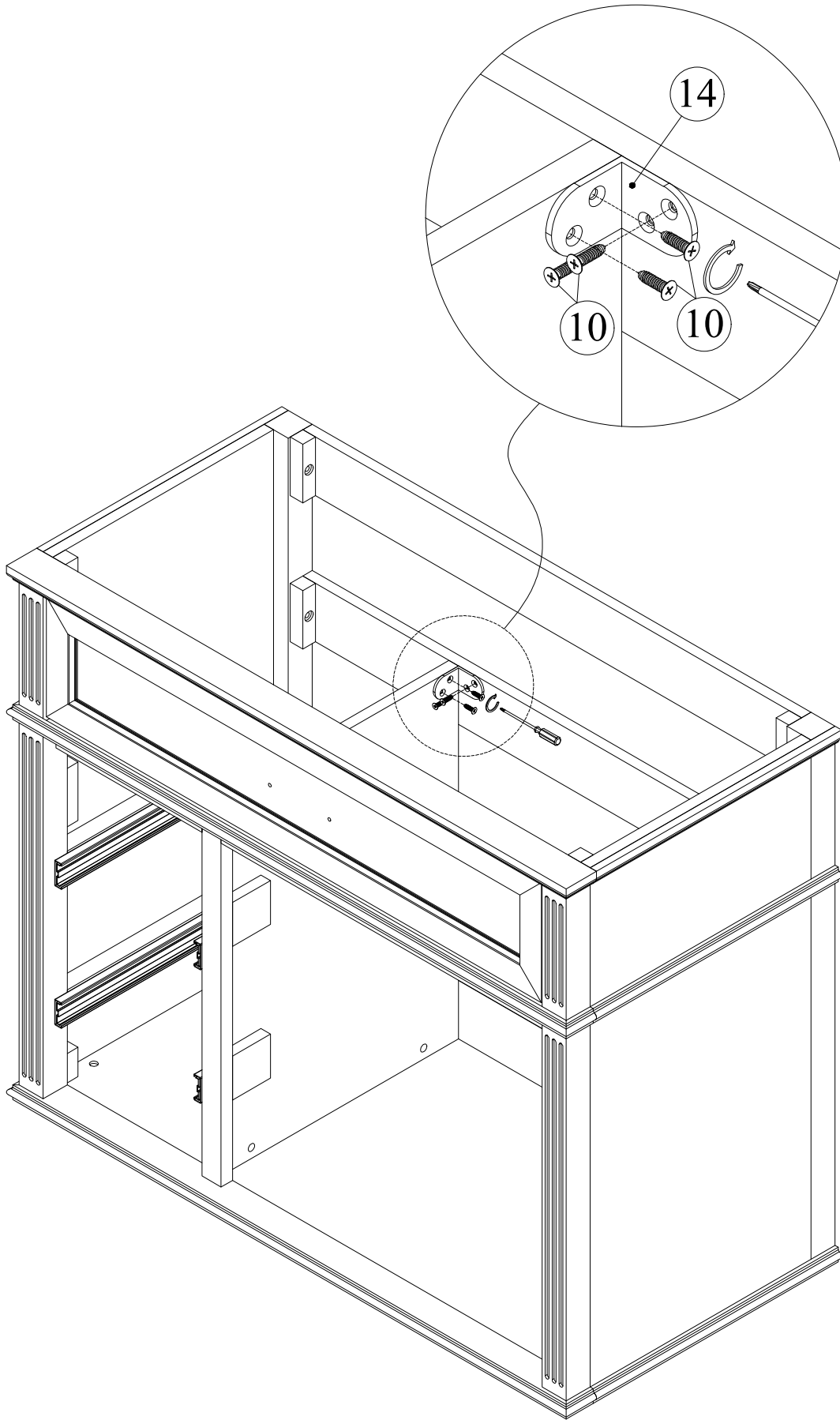
No.	Hardware	Q'ty
9	Screws 4x25	3

STEP 8



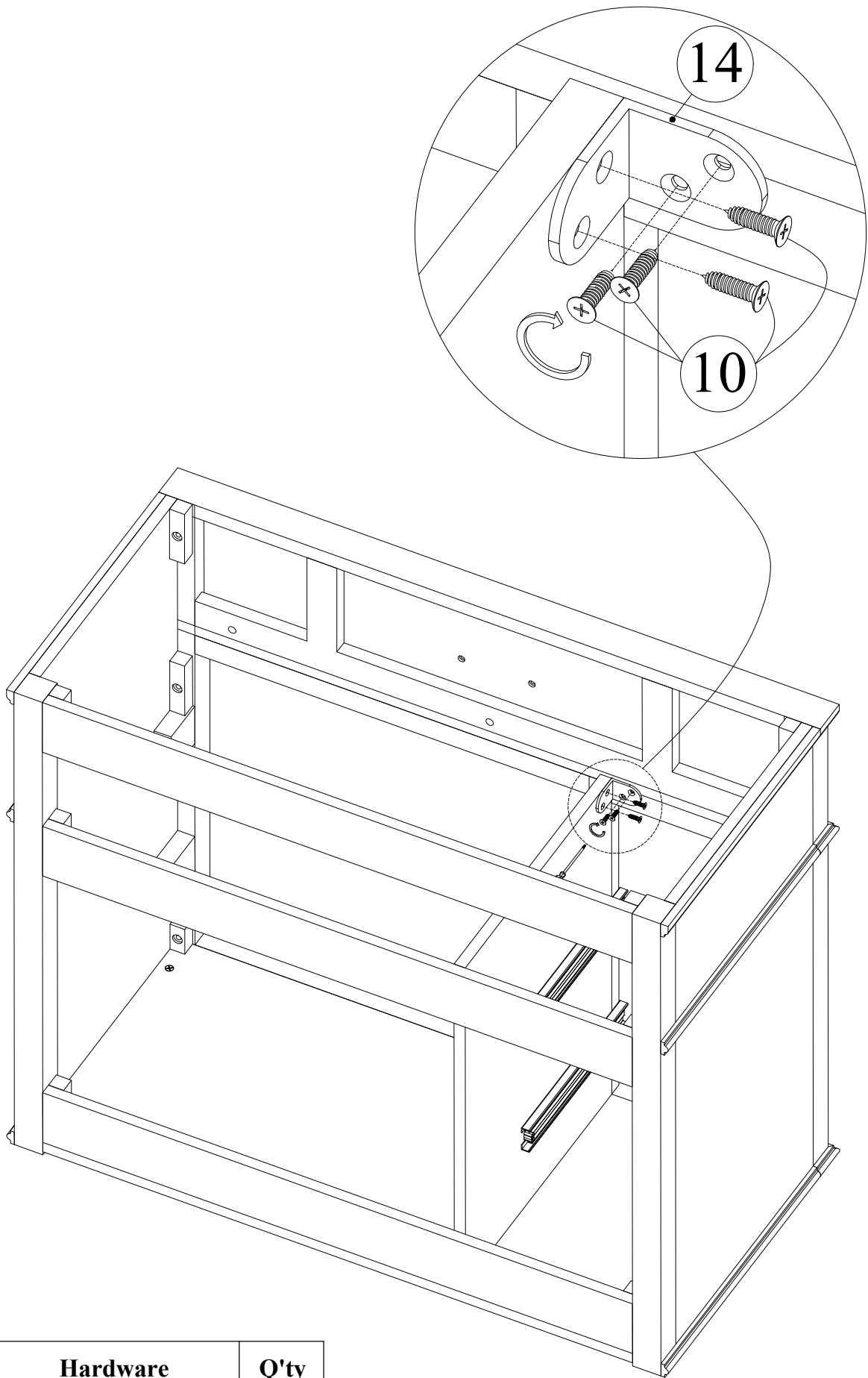
No.	Hardware	Q'ty
2	Wooden dowels	2
8	Cam locks	2

STEP 9



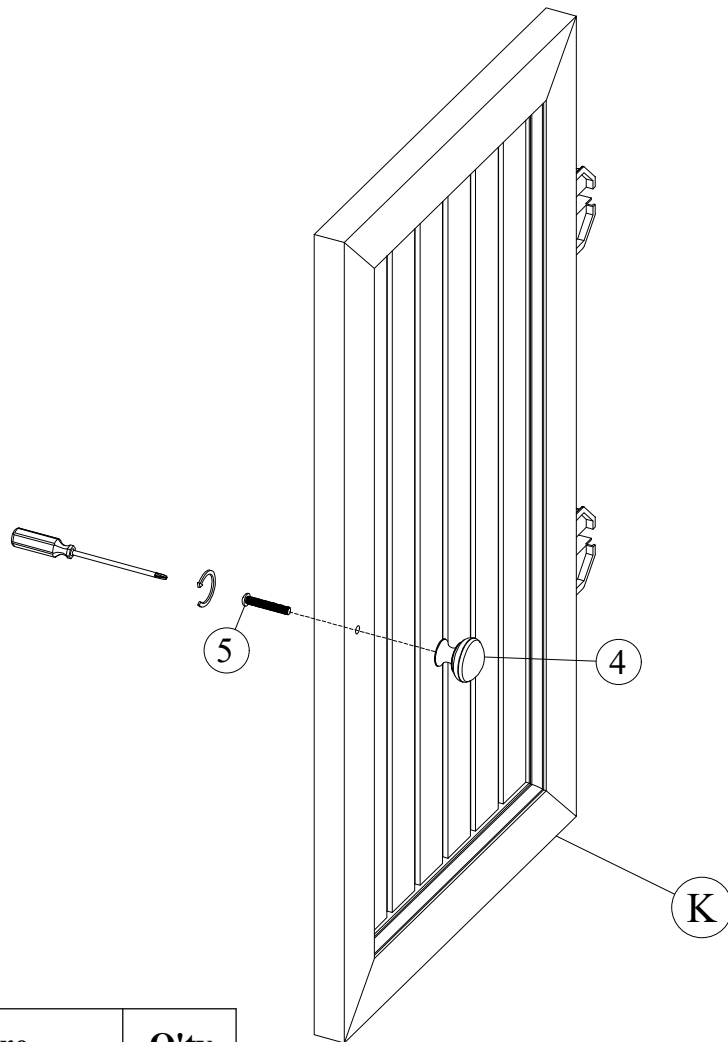
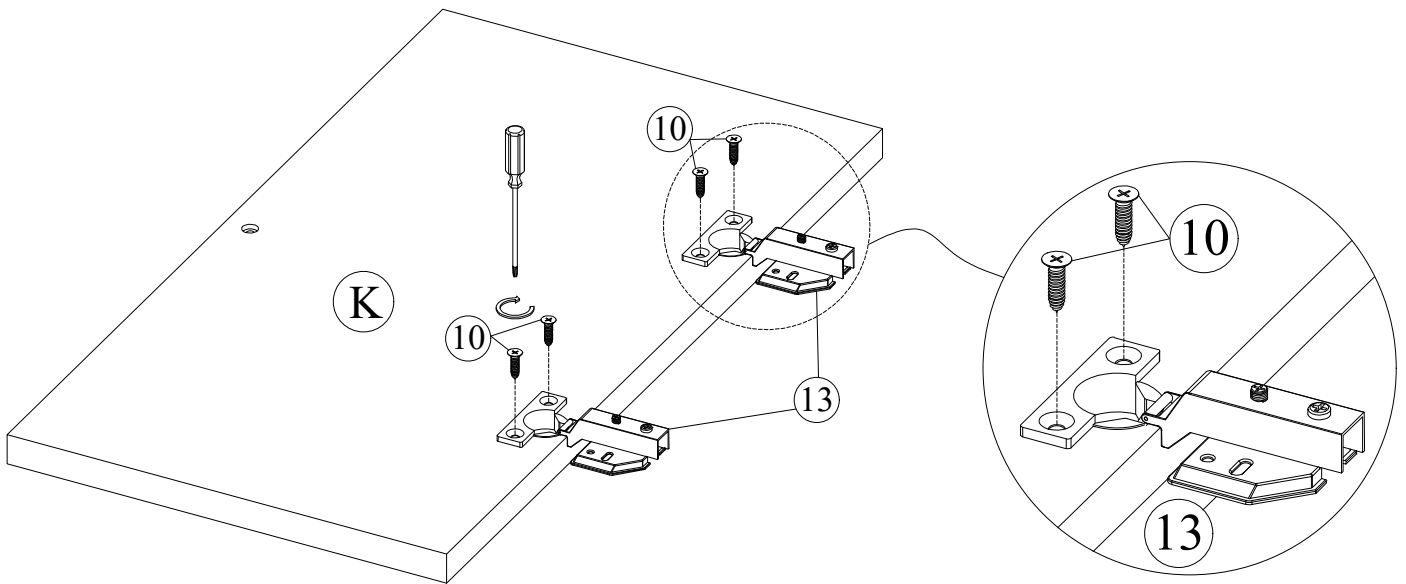
No.	Hardware	Q'ty
10	Screws 4x15	4
14	Angle Bracket	1

STEP 10



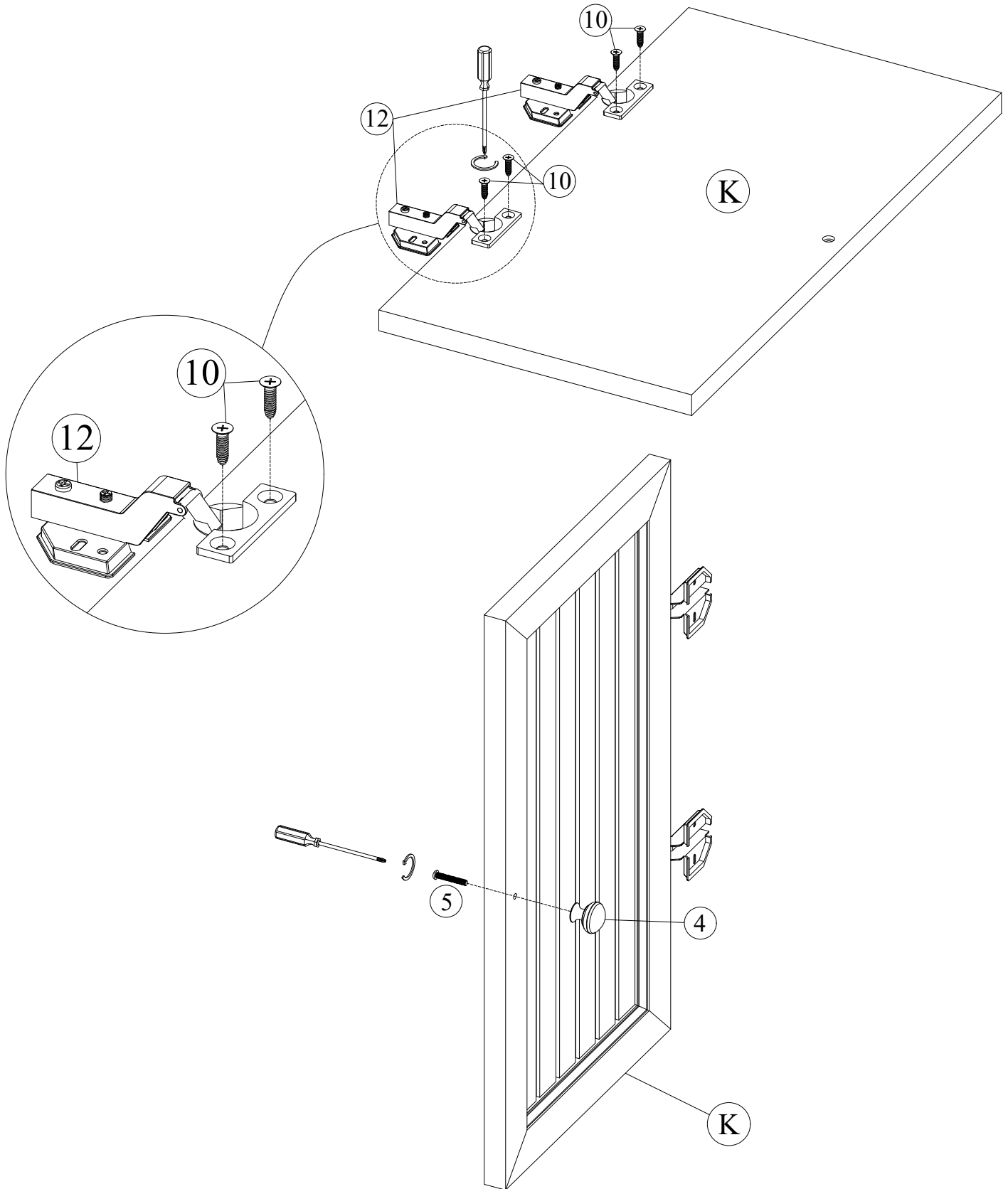
No.	Hardware	Q'ty
10	Screws 4x15	4
14	Angle Bracket	1

STEP 11



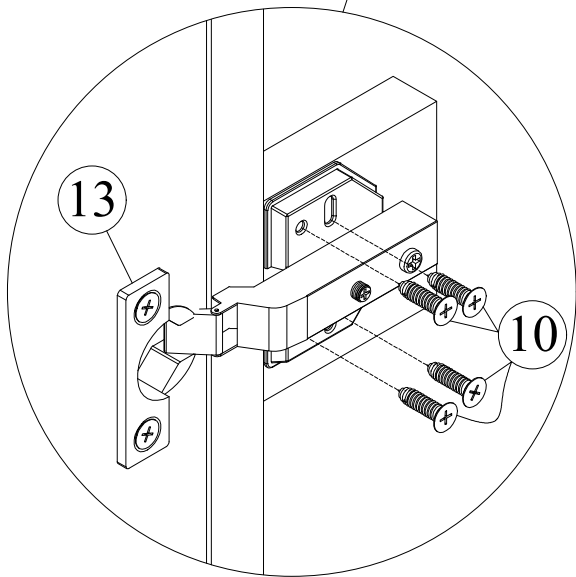
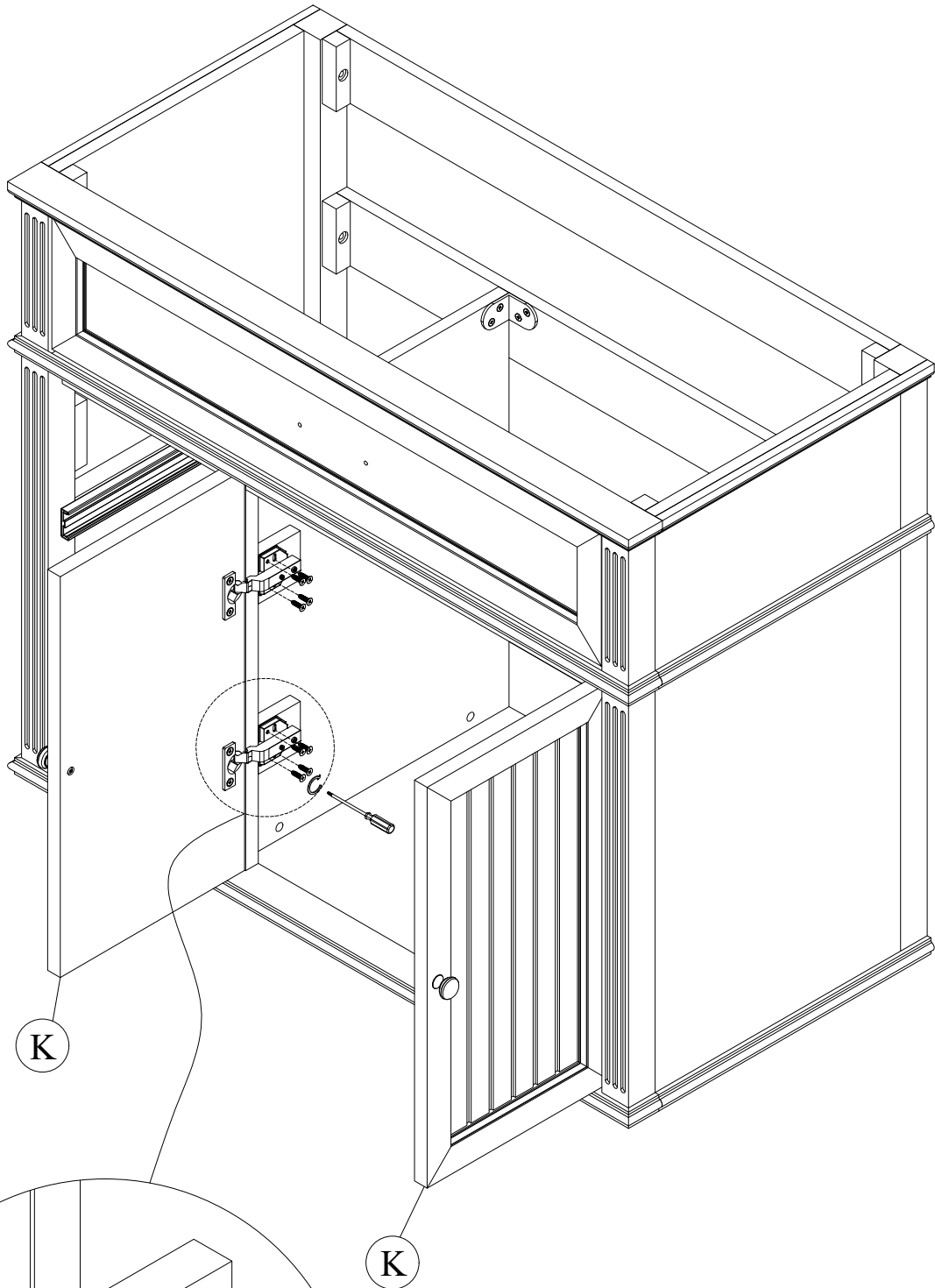
No.	Hardware	Q'ty
4	Knob	1
5	Bolt M4x25	1
10	Screws 4x15	4
13	Hinges - left	2

STEP 12



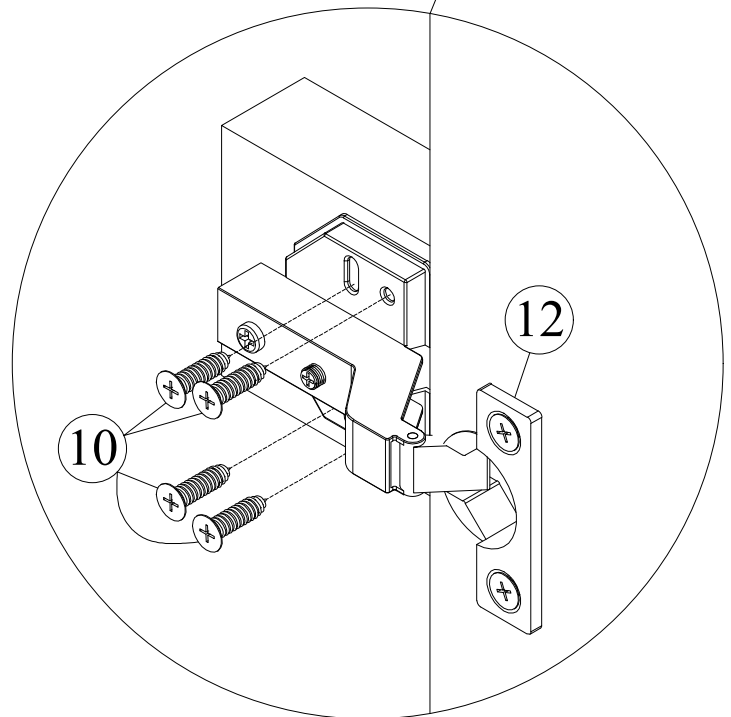
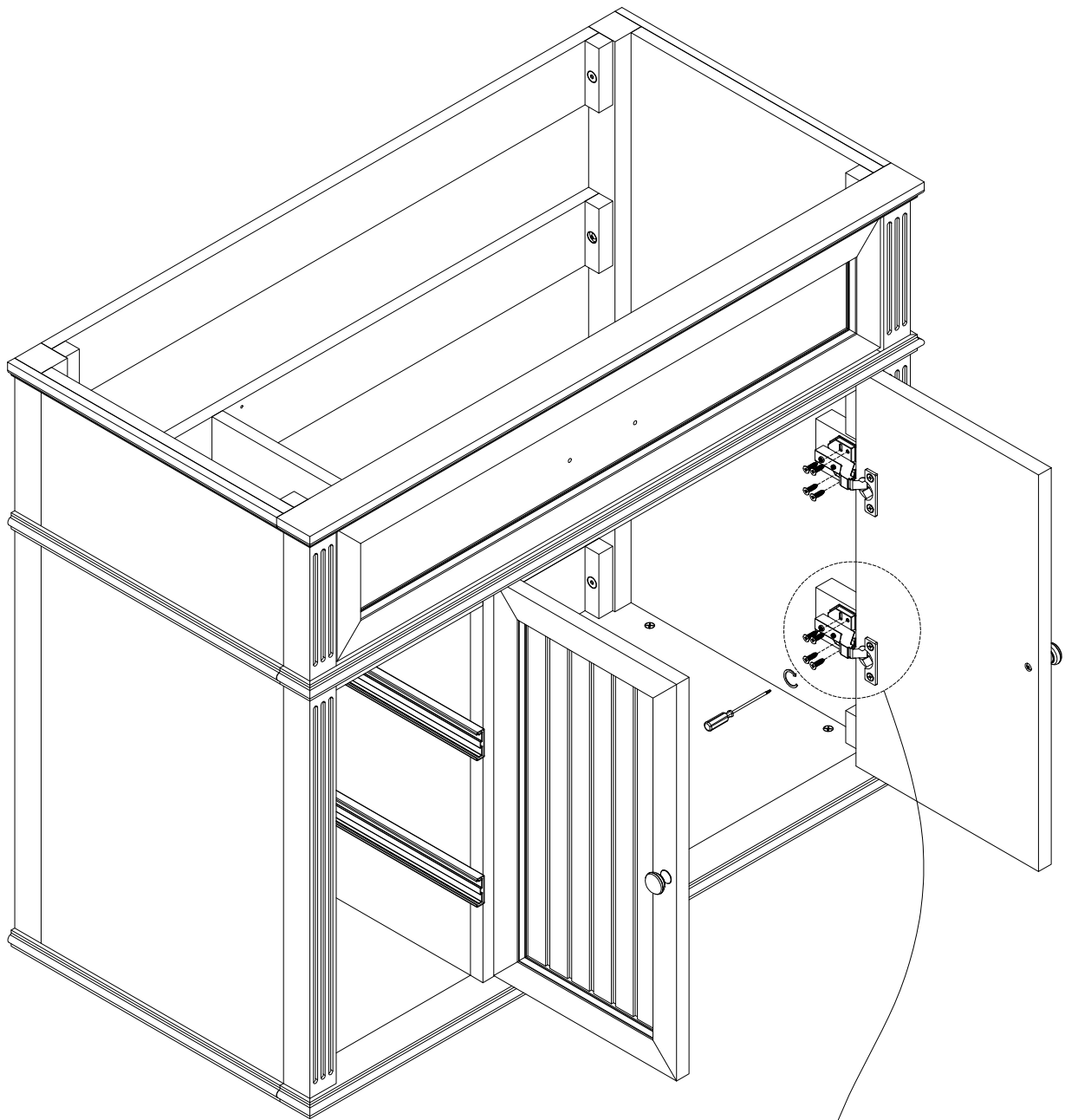
No.	Hardware	Q'ty
4	Knob	1
5	Bolt M4x25	1
10	Screws 4x15	4
12	Hinges - right	2

STEP 13



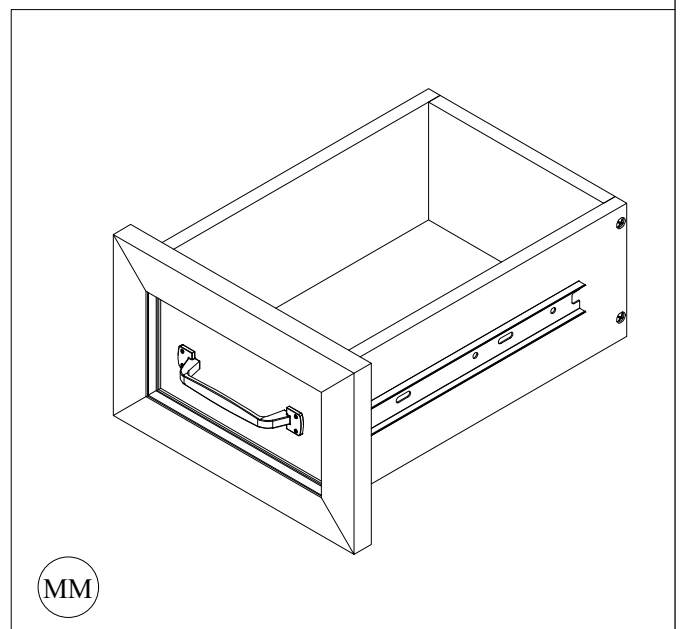
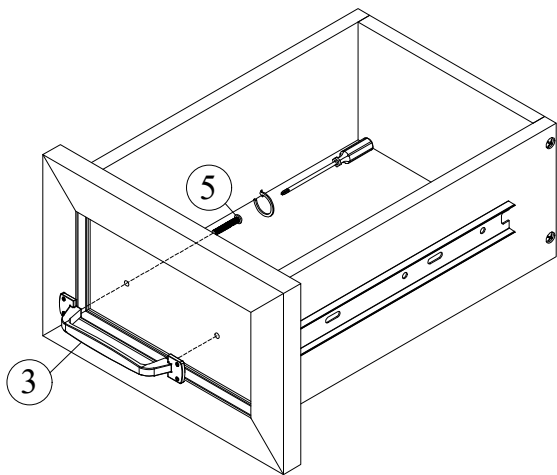
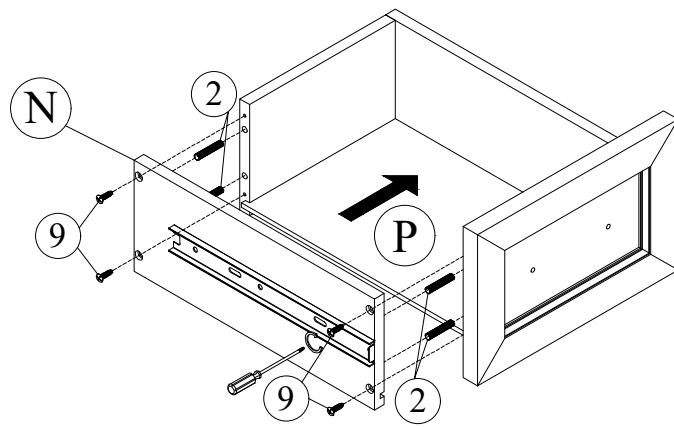
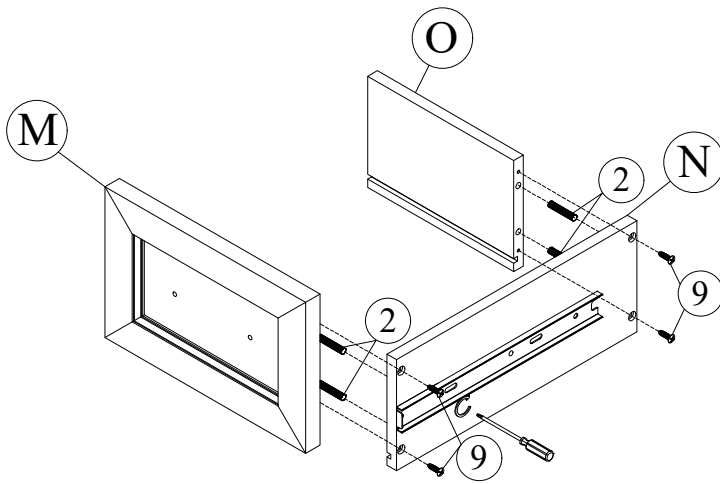
No.	Hardware	Q'ty
10	Screws 4x15	8

STEP 14



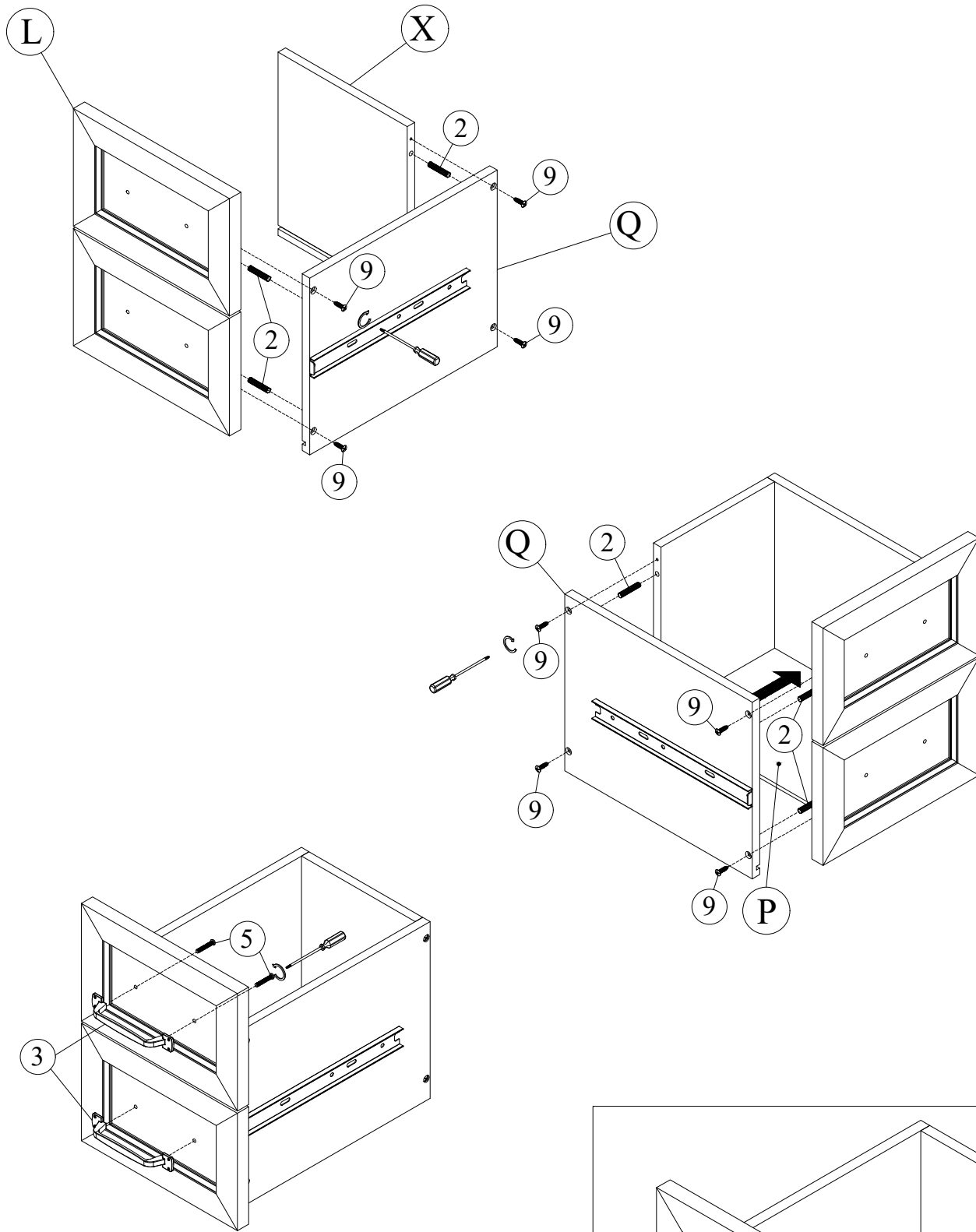
No.	Hardware	Q'ty
10	Screws 4x15	8

STEP 15

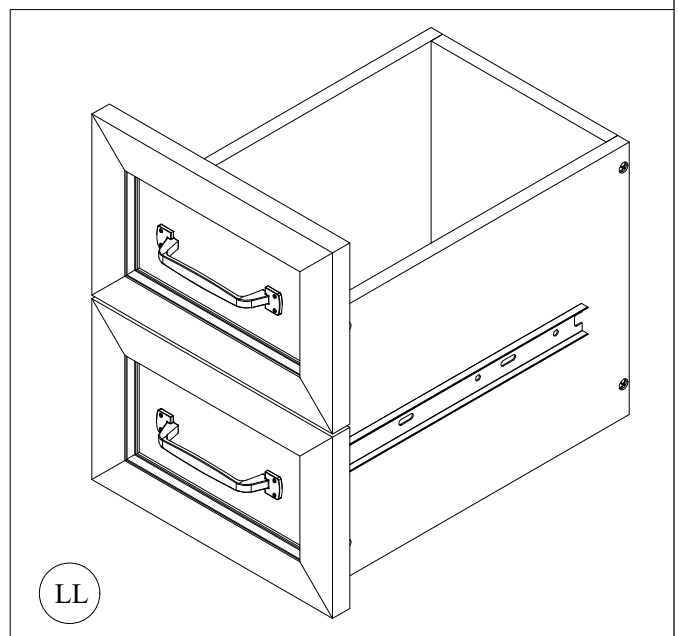


No.	Hardware	Q'ty
2	Wooden dowels	8
3	Handle	1
5	Bolts M4x25	2
9	Screws 4x25	8

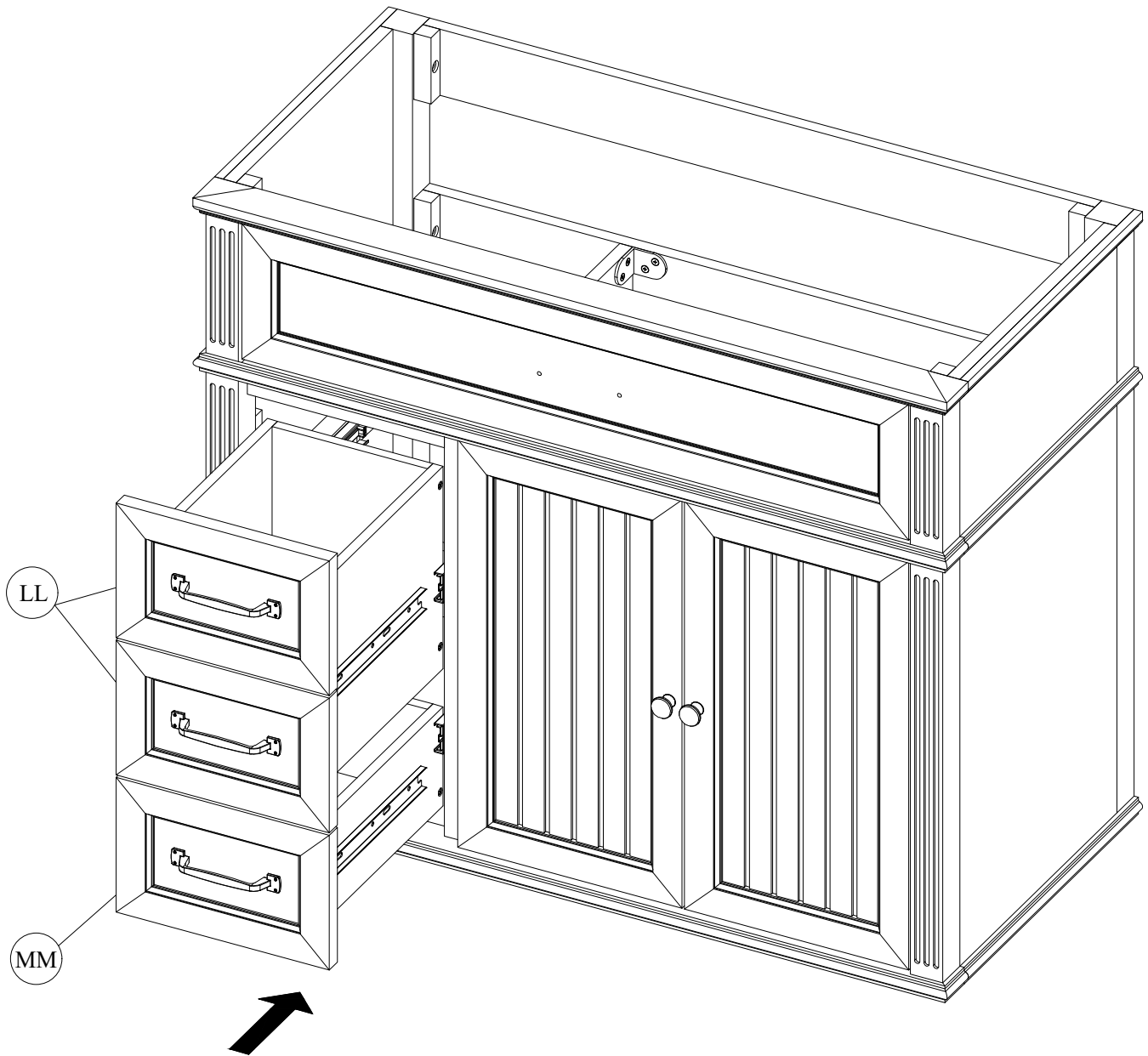
STEP 16



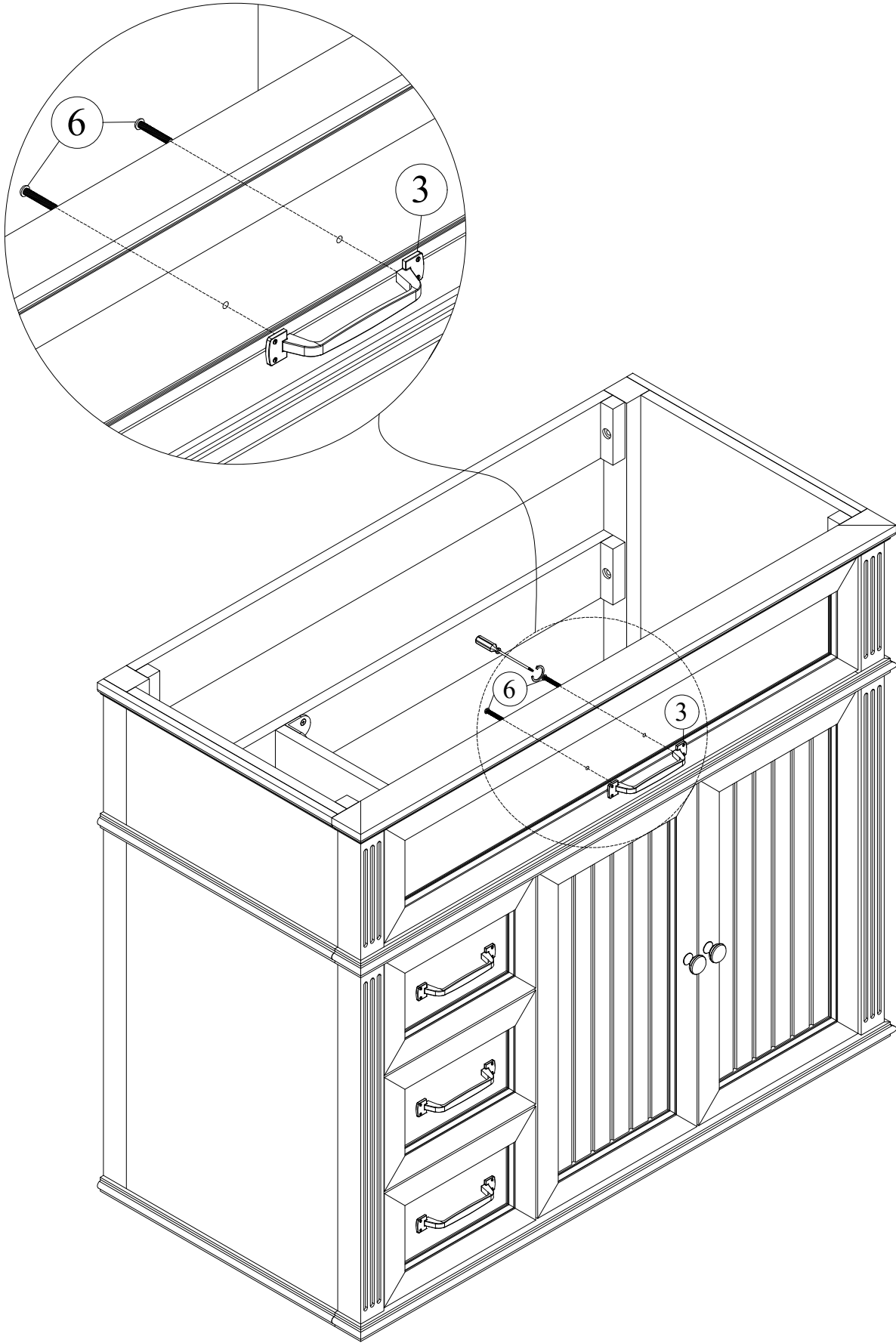
No.	Hardware	Q'ty
2	Wooden dowels	8
3	Handle	2
5	Bolts M4x25	4
9	Screws 4x25	8



STEP 17

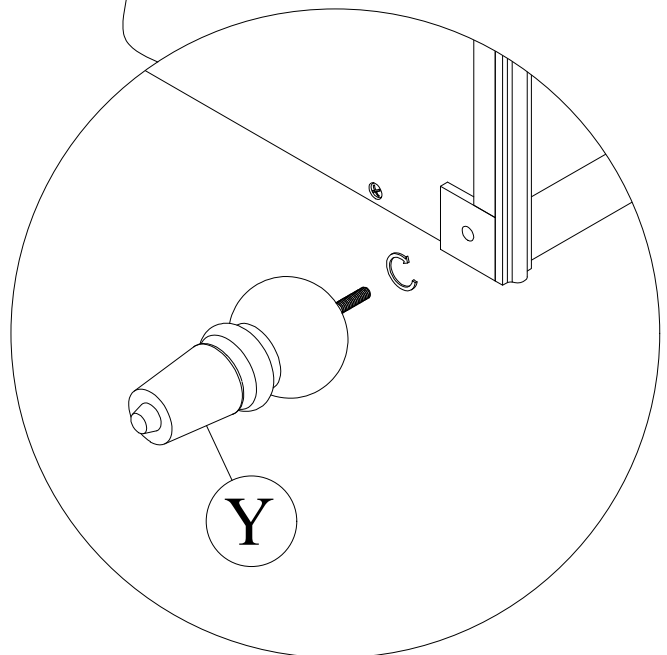
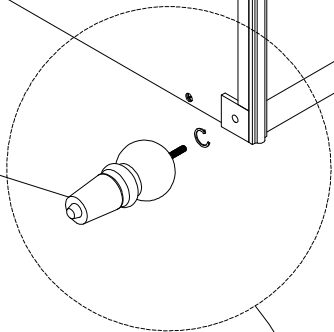
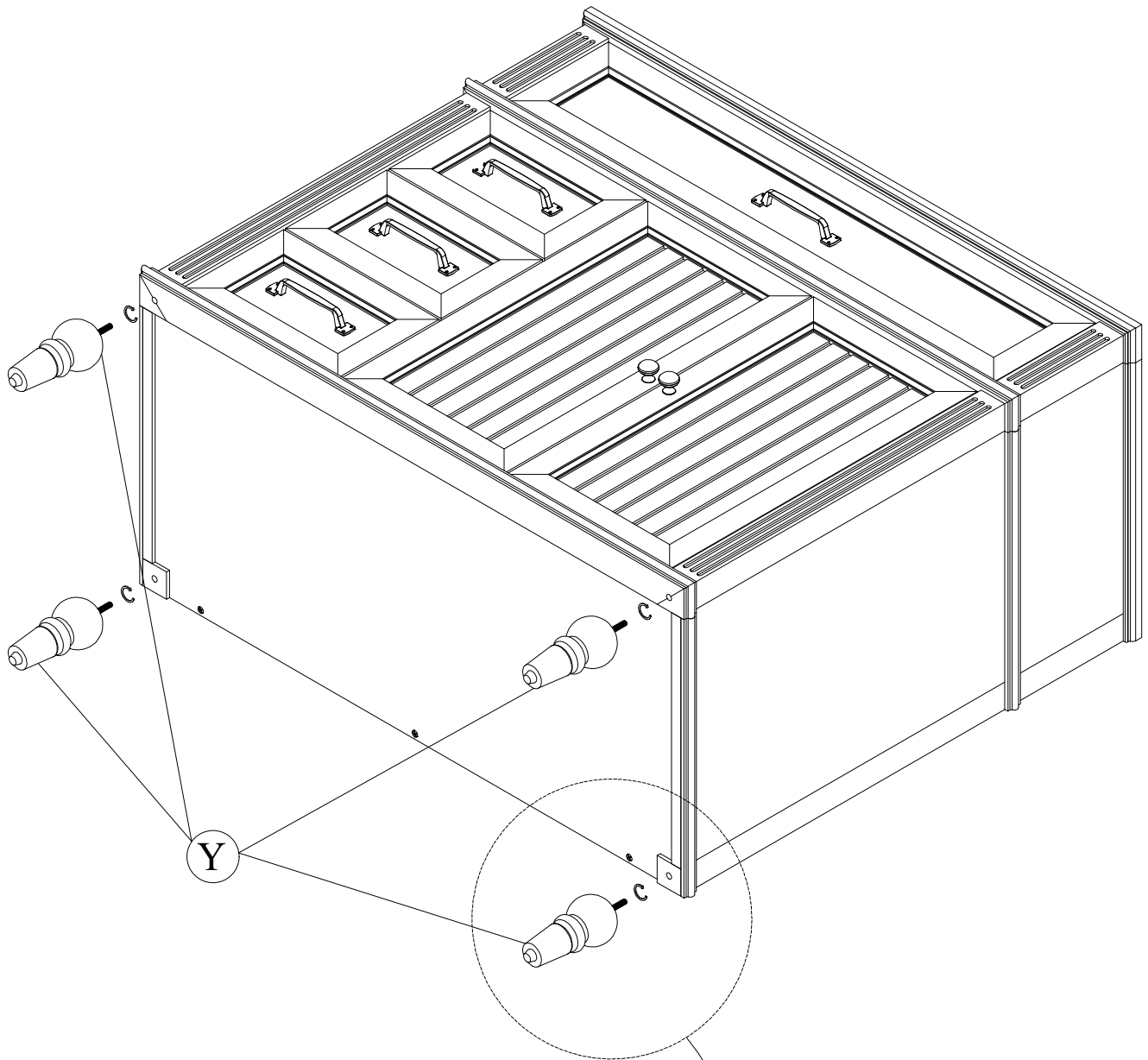


STEP 18

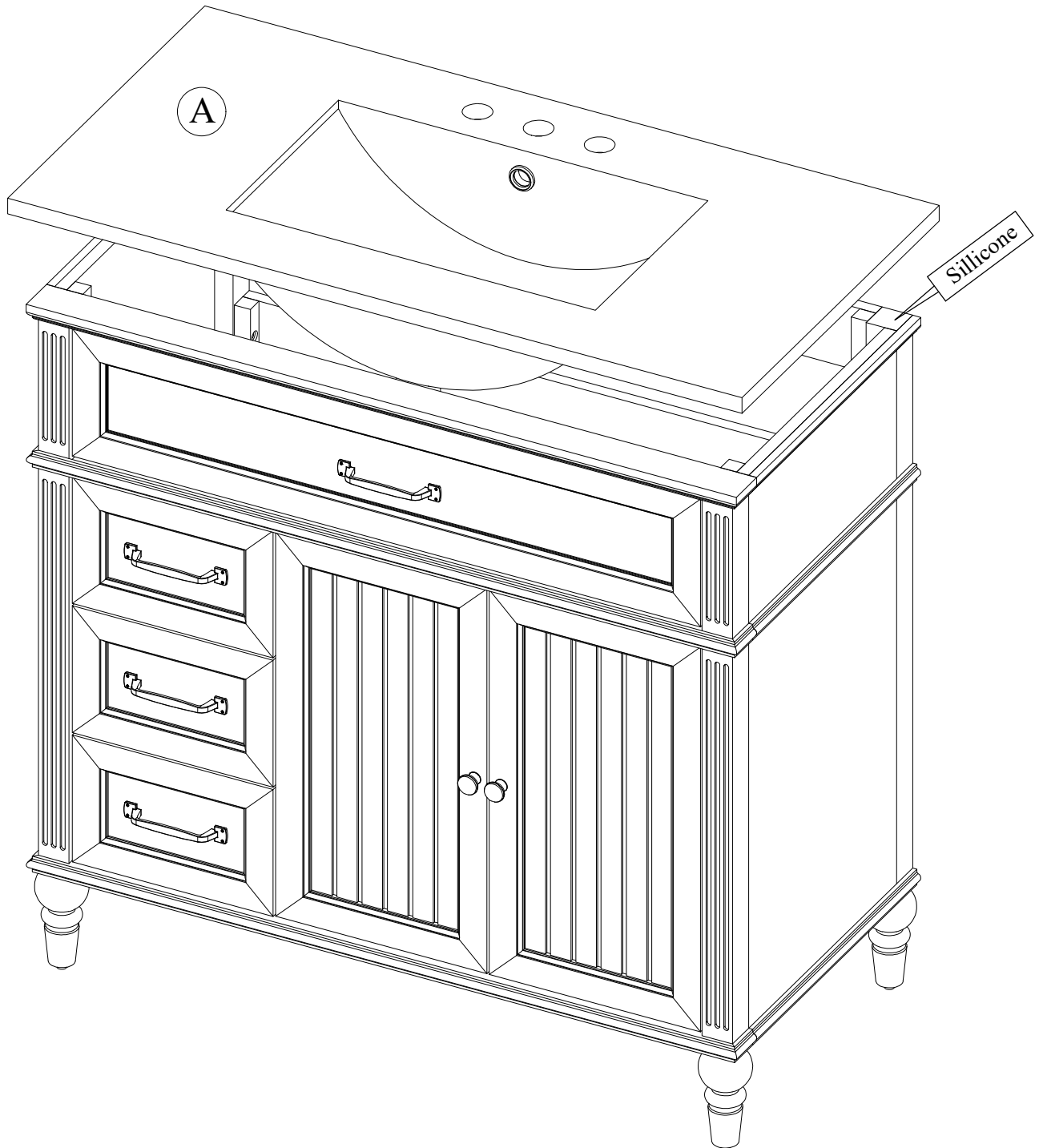


No.	Hardware	Q'ty
3	Handle	1
6	Bolts M4x15	2

STEP 19

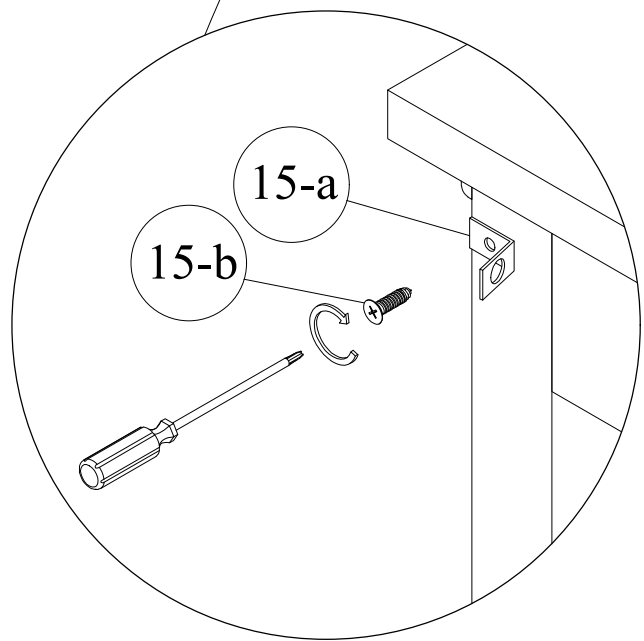
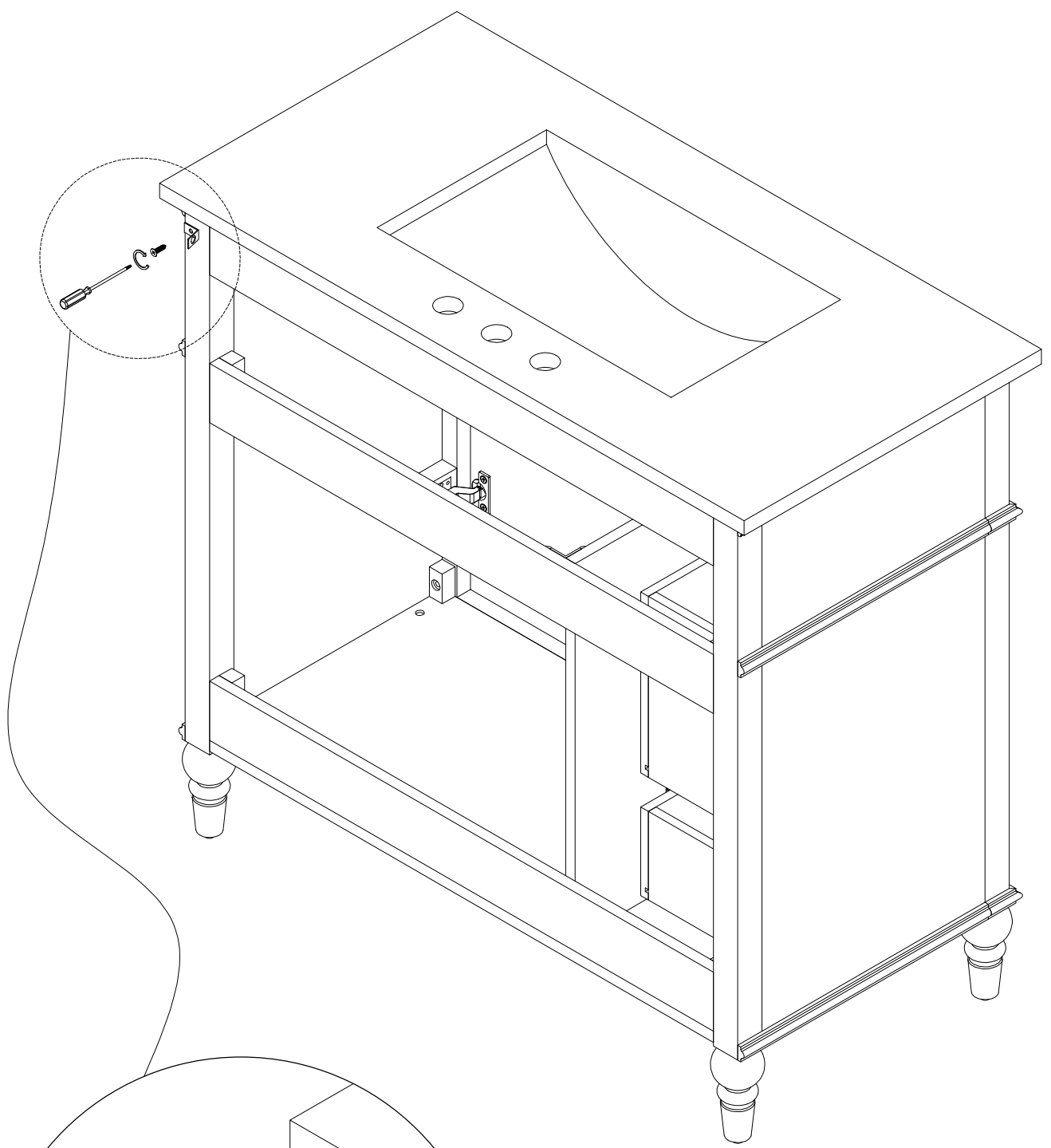


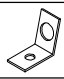

STEP 20



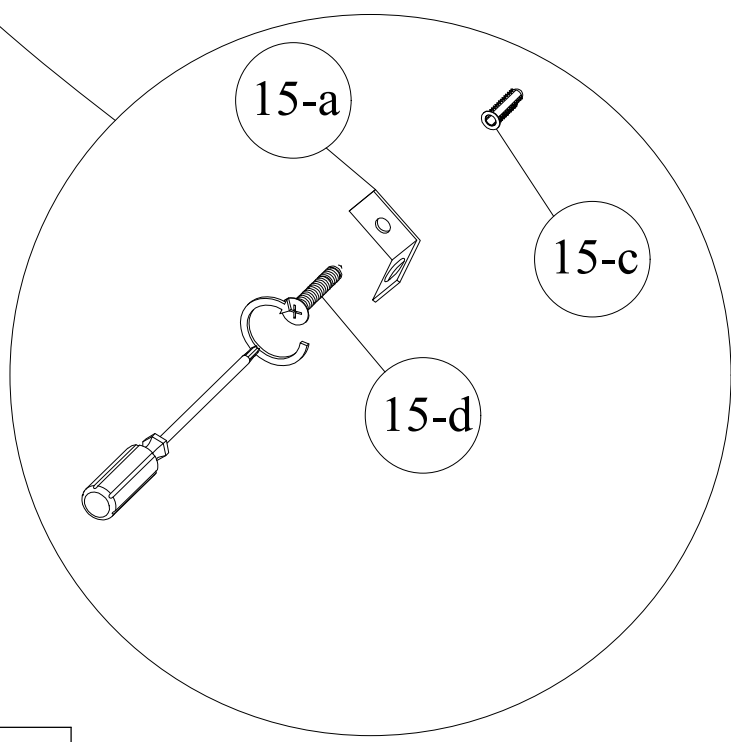
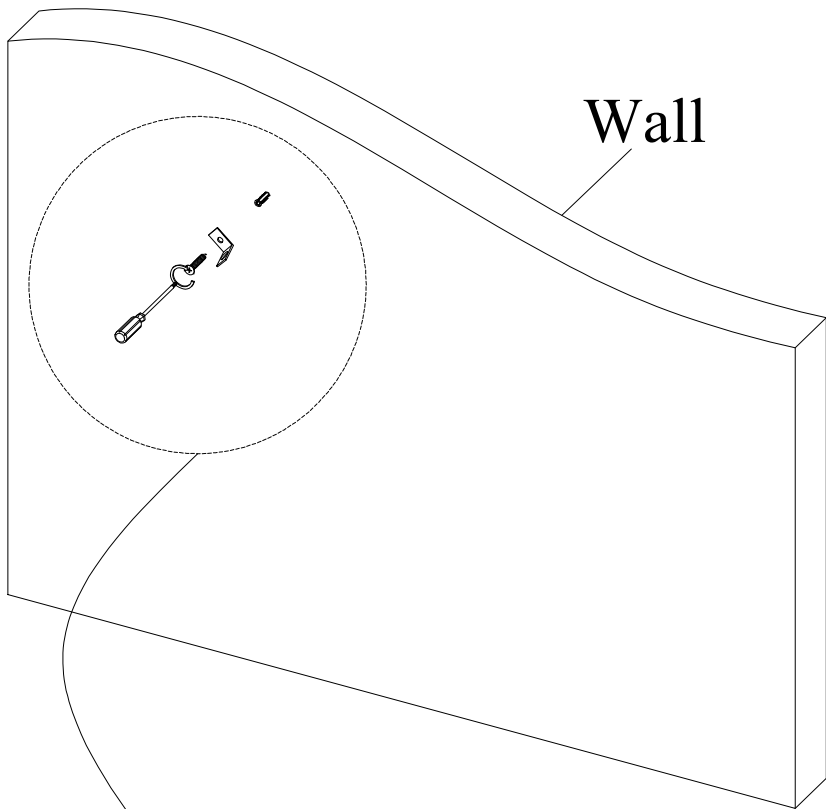
**Install the Sink on the cabinet with glue.
Let stand for 24 hours.
Apply silicone caulk to the top edge of the wood cabinet.
With the help of another adult, gently lower the Sink top with
assembled sink onto the cabinet.**




STEP 21



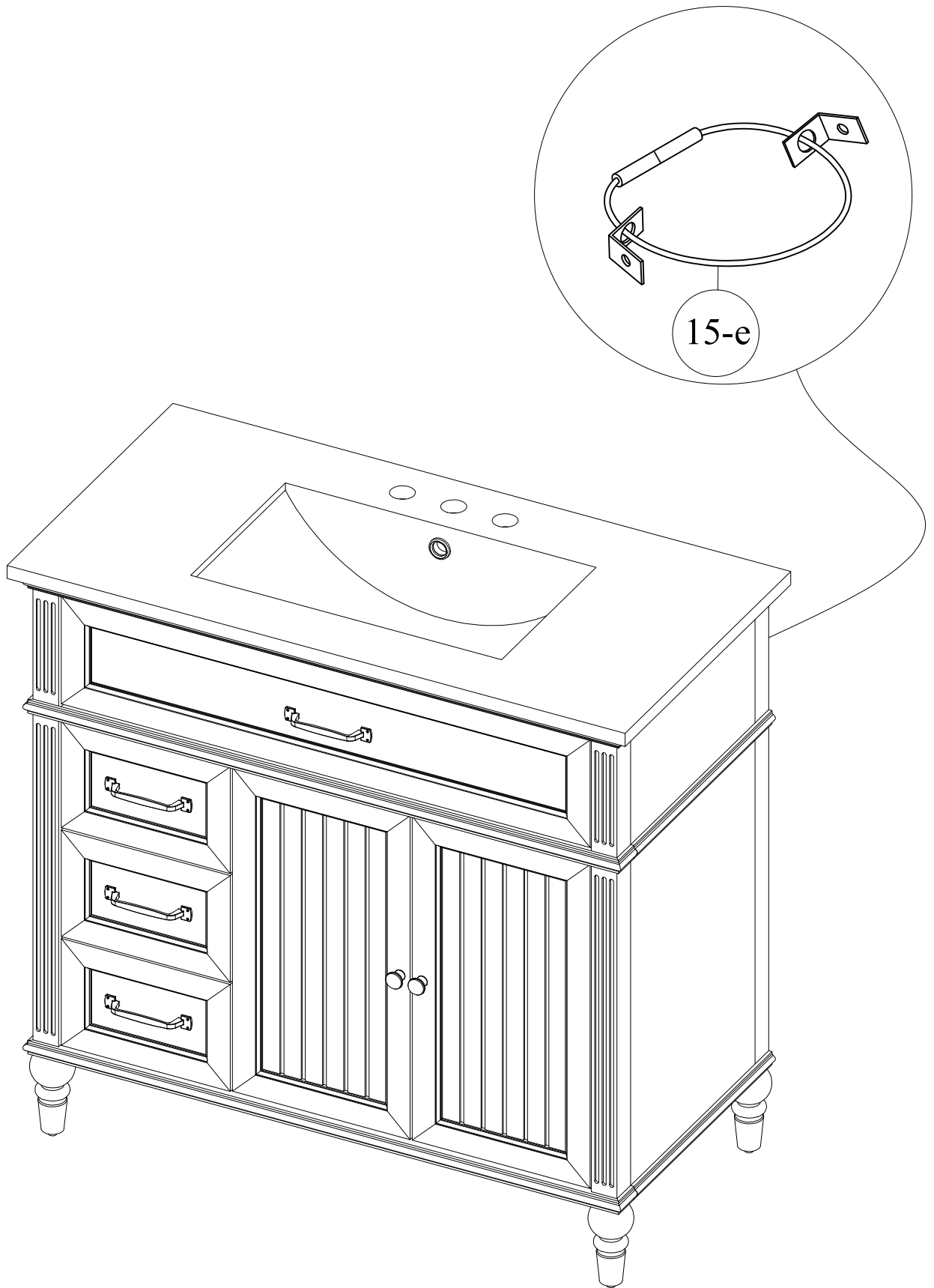
No.	Hardware	Q'ty
15-a		1
15-b		1

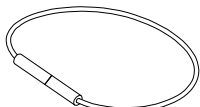
STEP 22



No.	Hardware	Q'ty
15-a		1
15-c		1
15-d		1

STEP 23



No.	Hardware	Q'ty
15-e		1

FINISH

