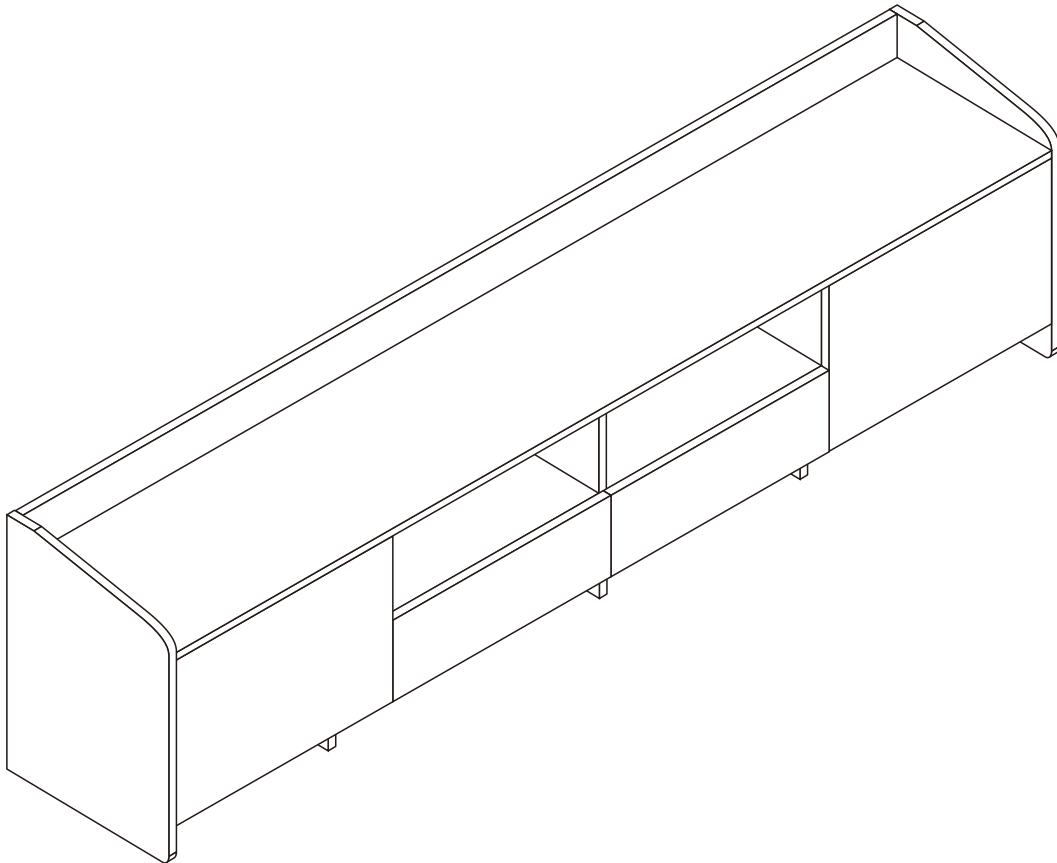


Installation & Assembly

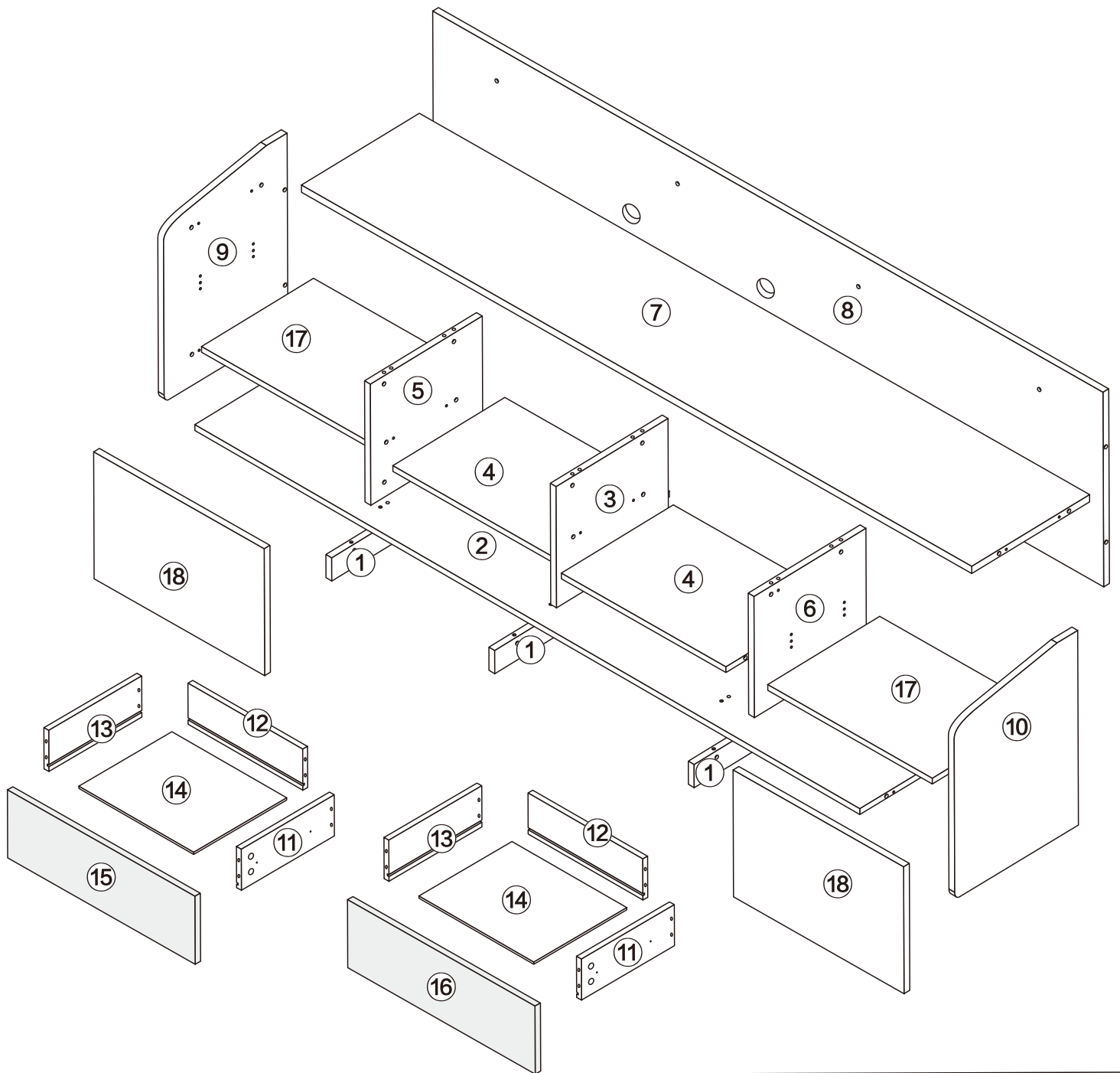
TV stand



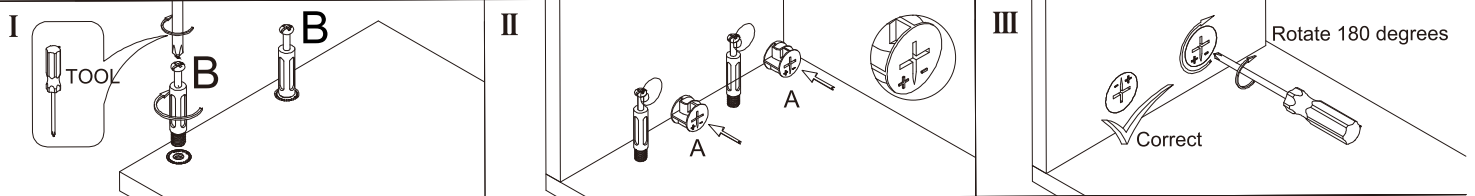
L2000*W400W*H550mm



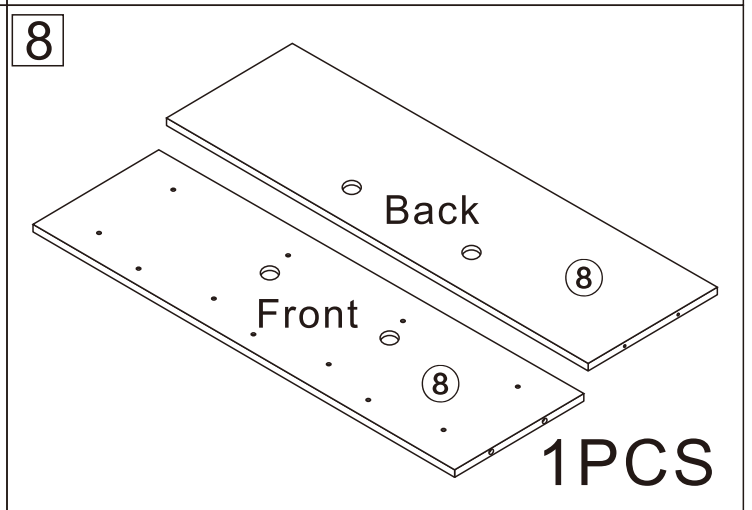
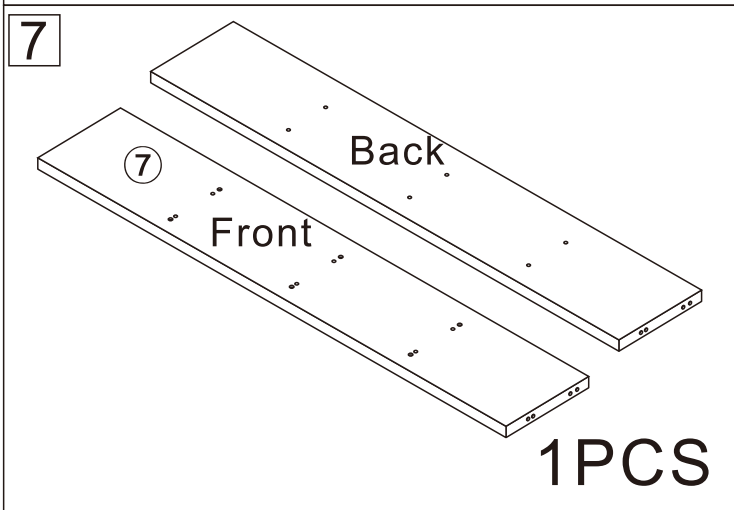
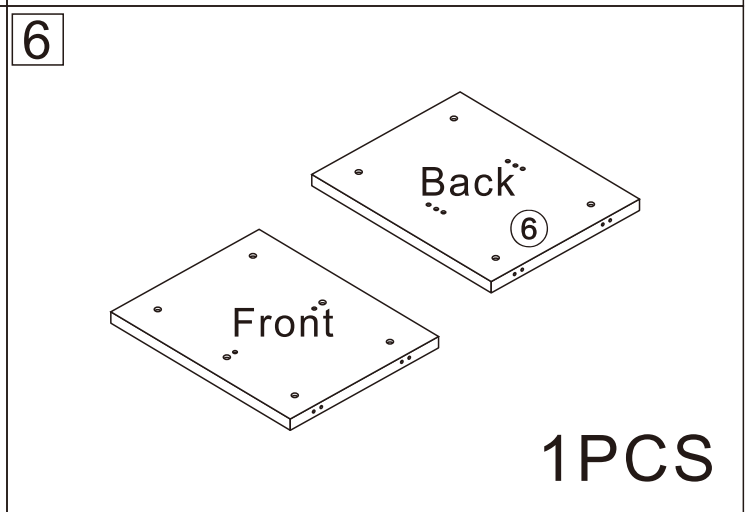
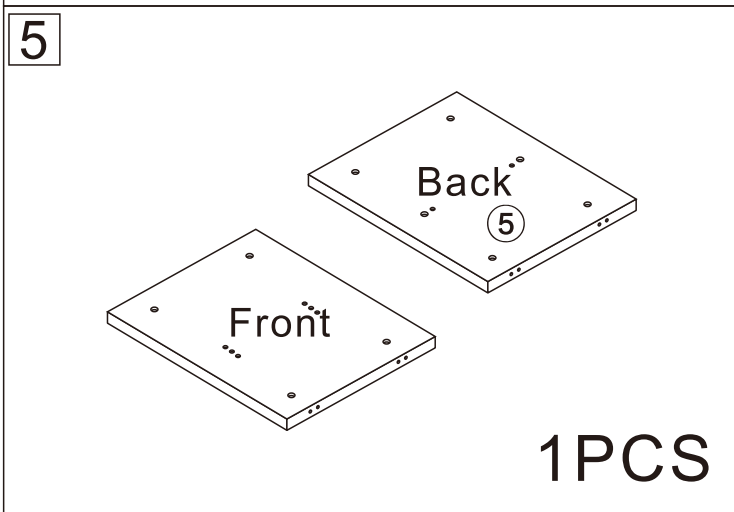
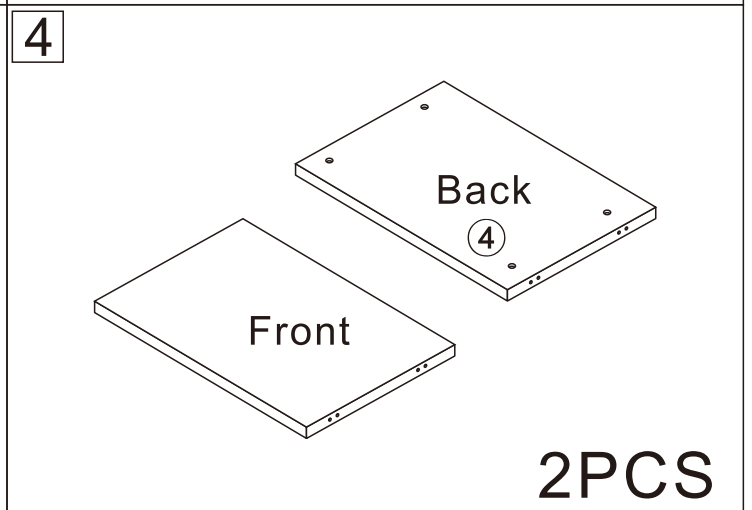
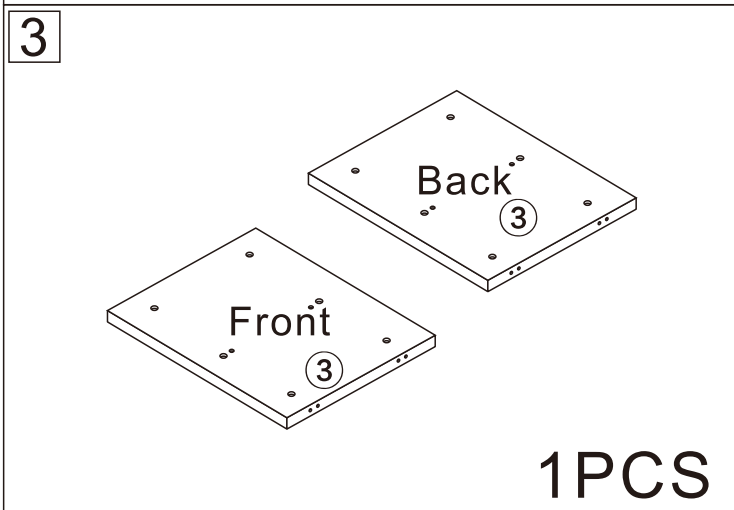
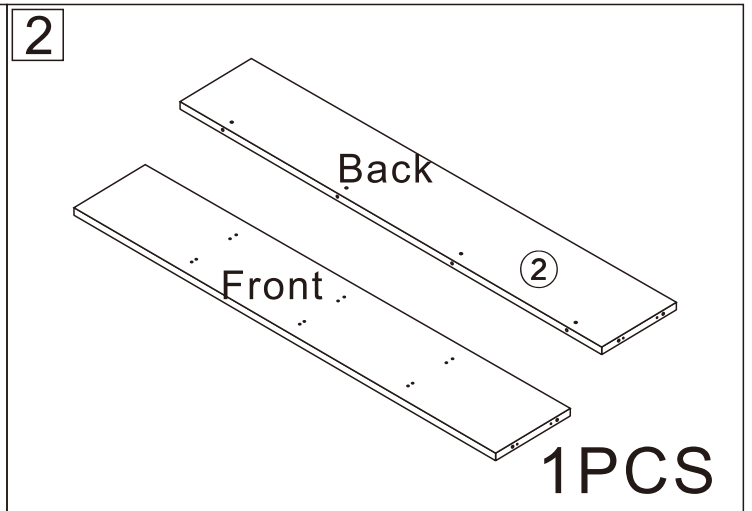
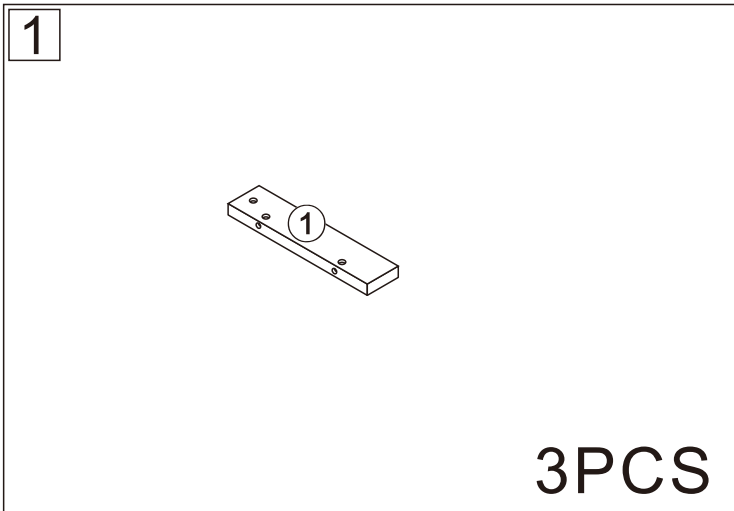
Notes: Don't tighten screws completely at first, just in case parts were assembled wrongly and need disassemble. Tighten screws at last when all parts are put together.

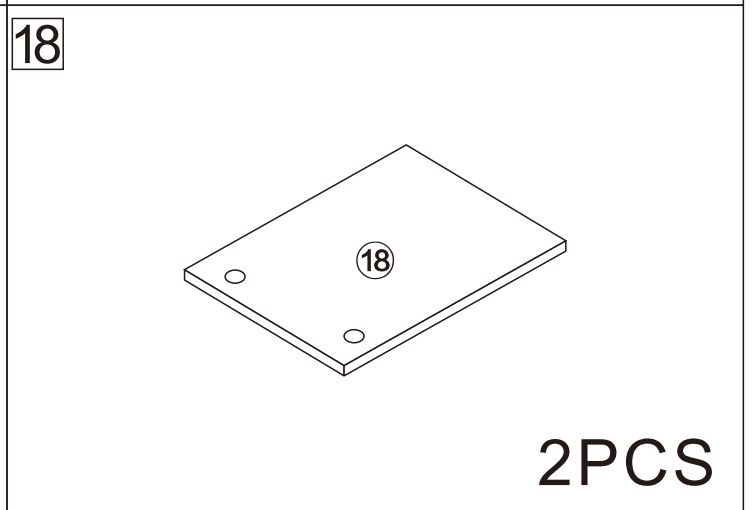
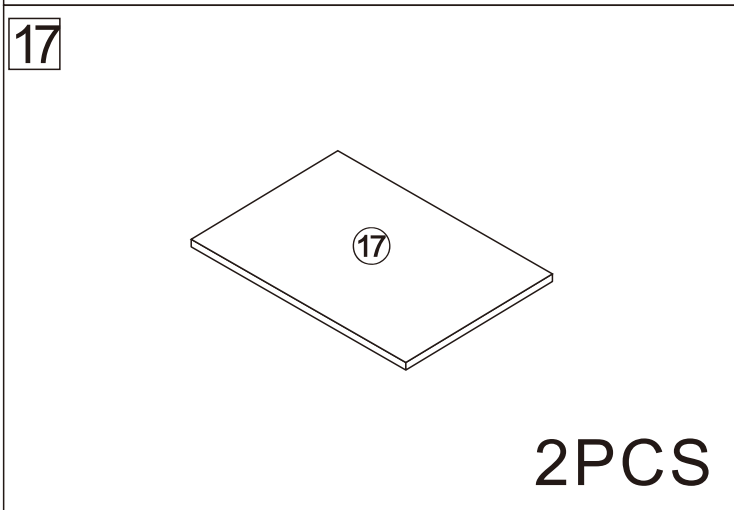
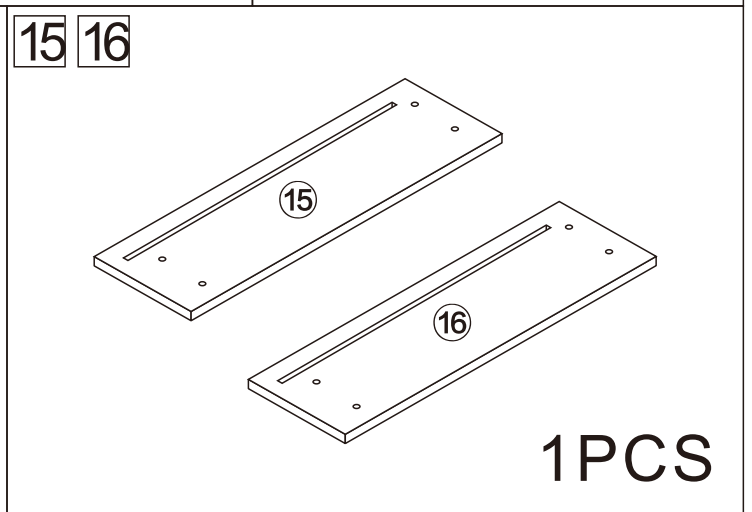
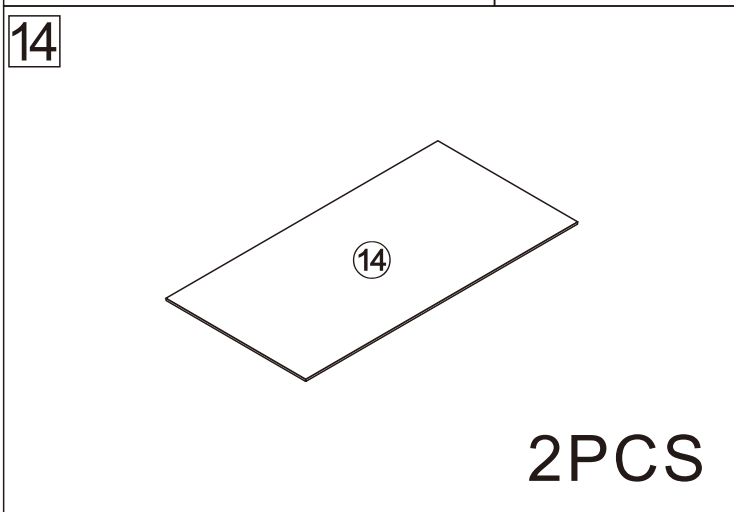
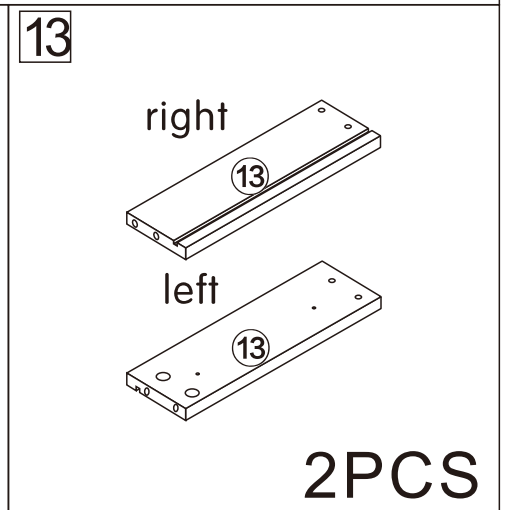
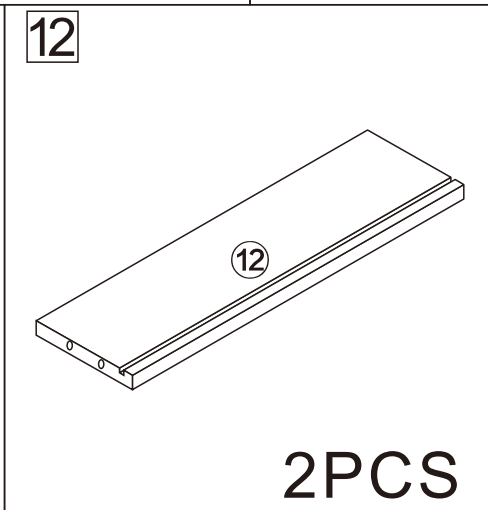
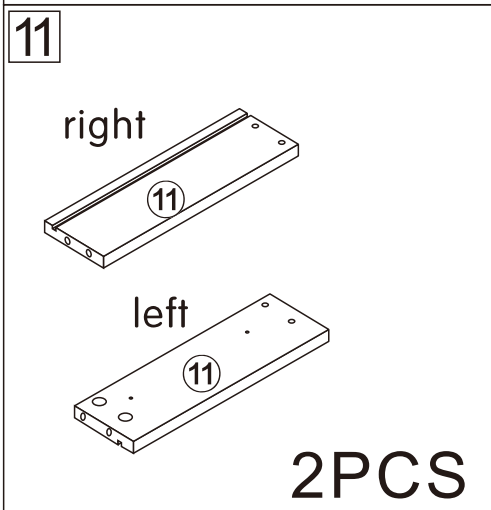
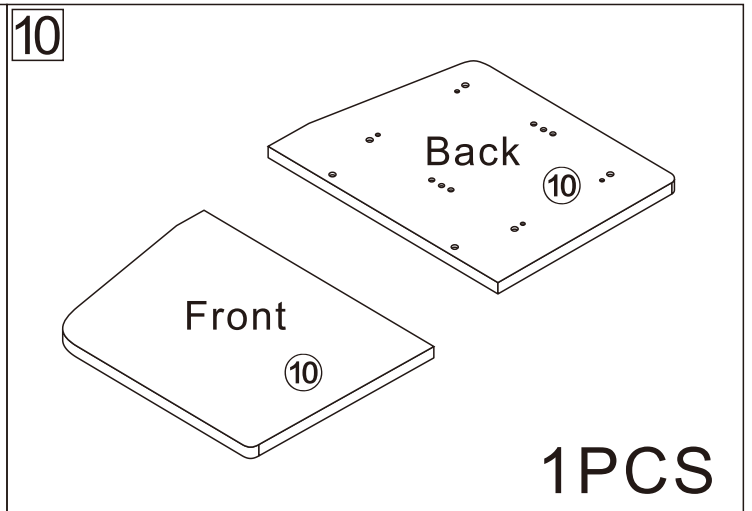
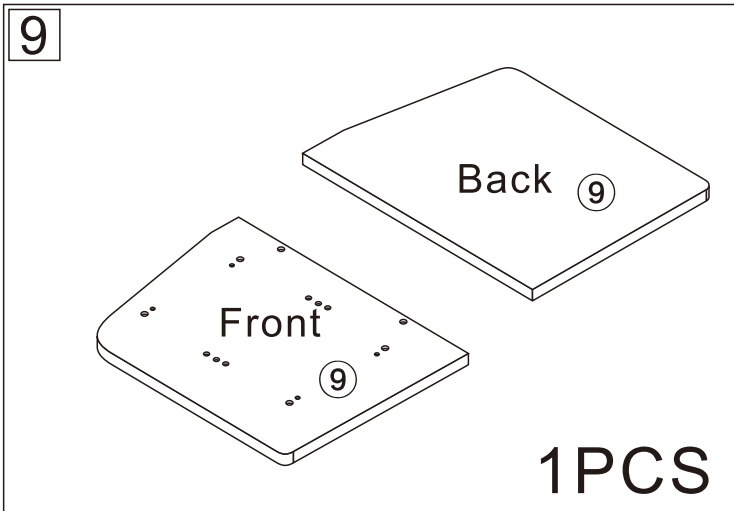


Disassembly and installation of accessories

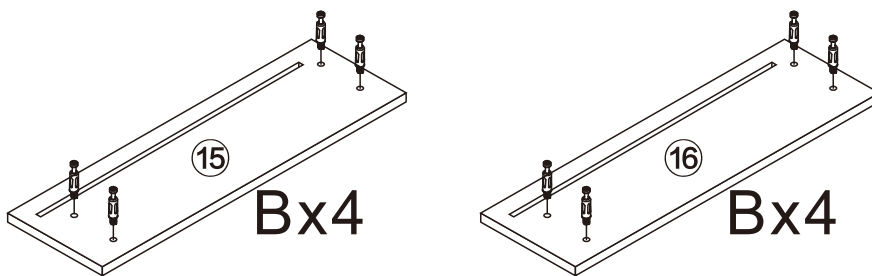
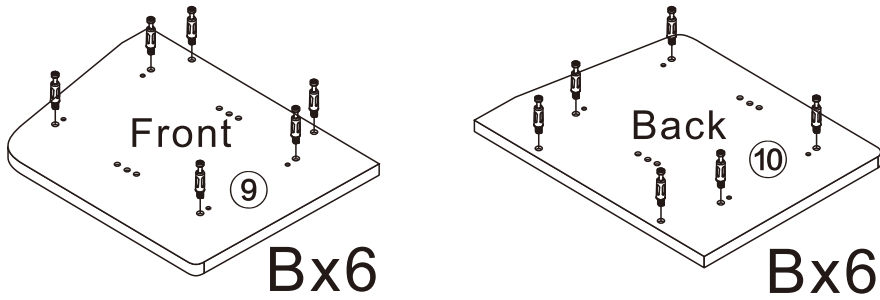
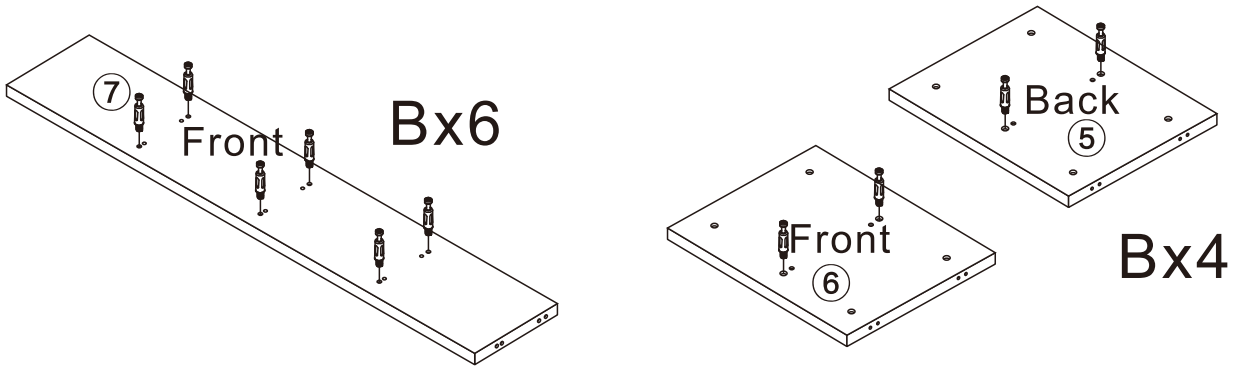
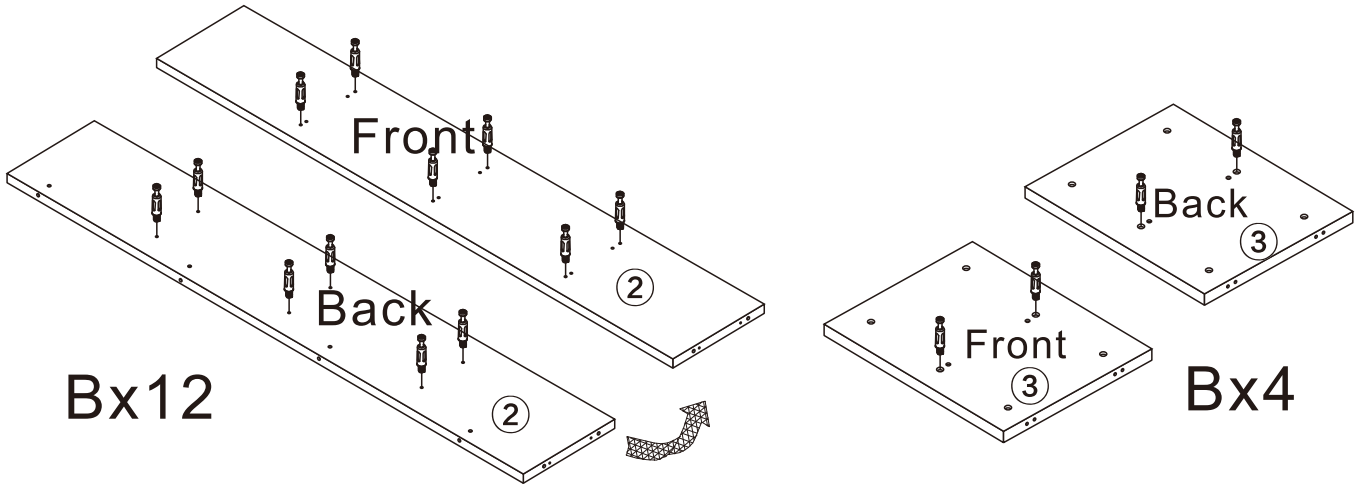



A 46PCS 15*10mm	B 46PCS 6*28mm	C 16PCS 3.5*14mm	D 4PCS Three-section Rail	E 8PCS 3.5*40mm	F 28PCS 8*30mm	G 14PCS φ 15mm	 Tools Recommended
H 4PCS 	I 16PCS 4*12mm	J 8PCS 	K 11PCS 4*40mm	L 2PCS 			





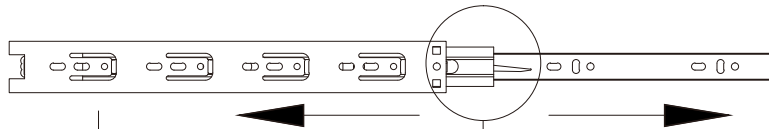
1



B	46PCS
	
6*28mm	

2

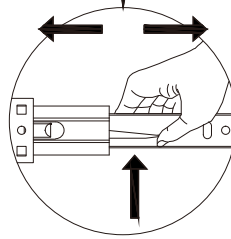
Dx4



D₁



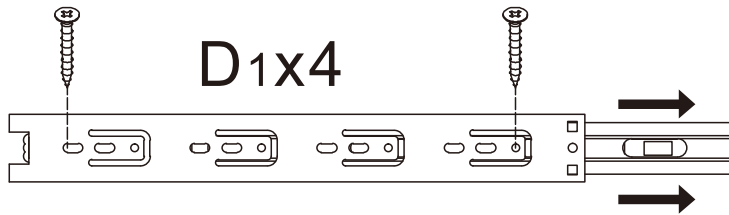
D₂



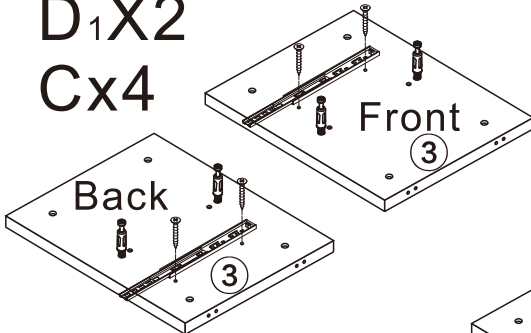
D ₁	4PCS
Three-section Rail	

3

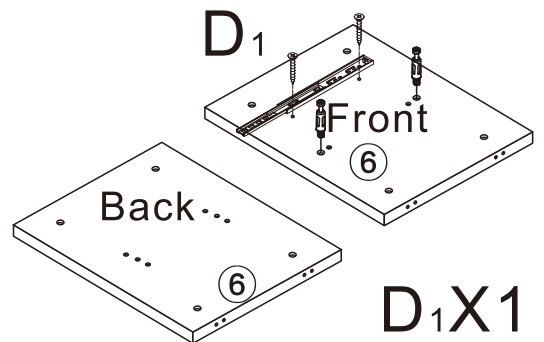
D₁X4



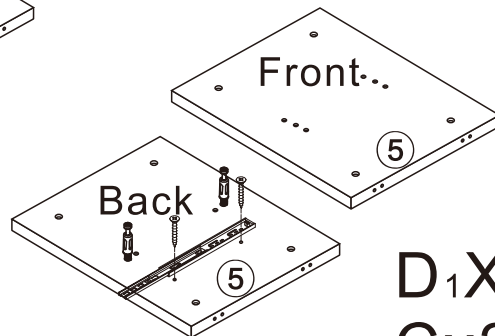
D₁X2
Cx4



D₁



D₁X1
Cx2

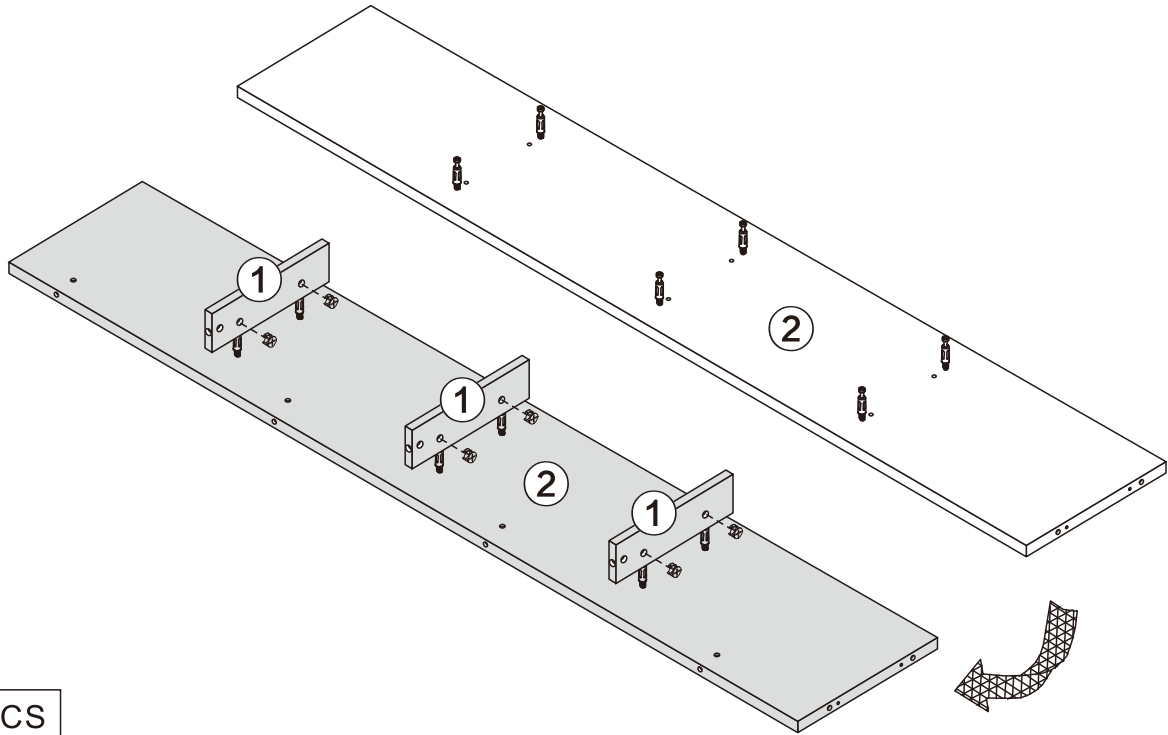



D₁X1
Cx2

C	8PCS
3.5*14mm	

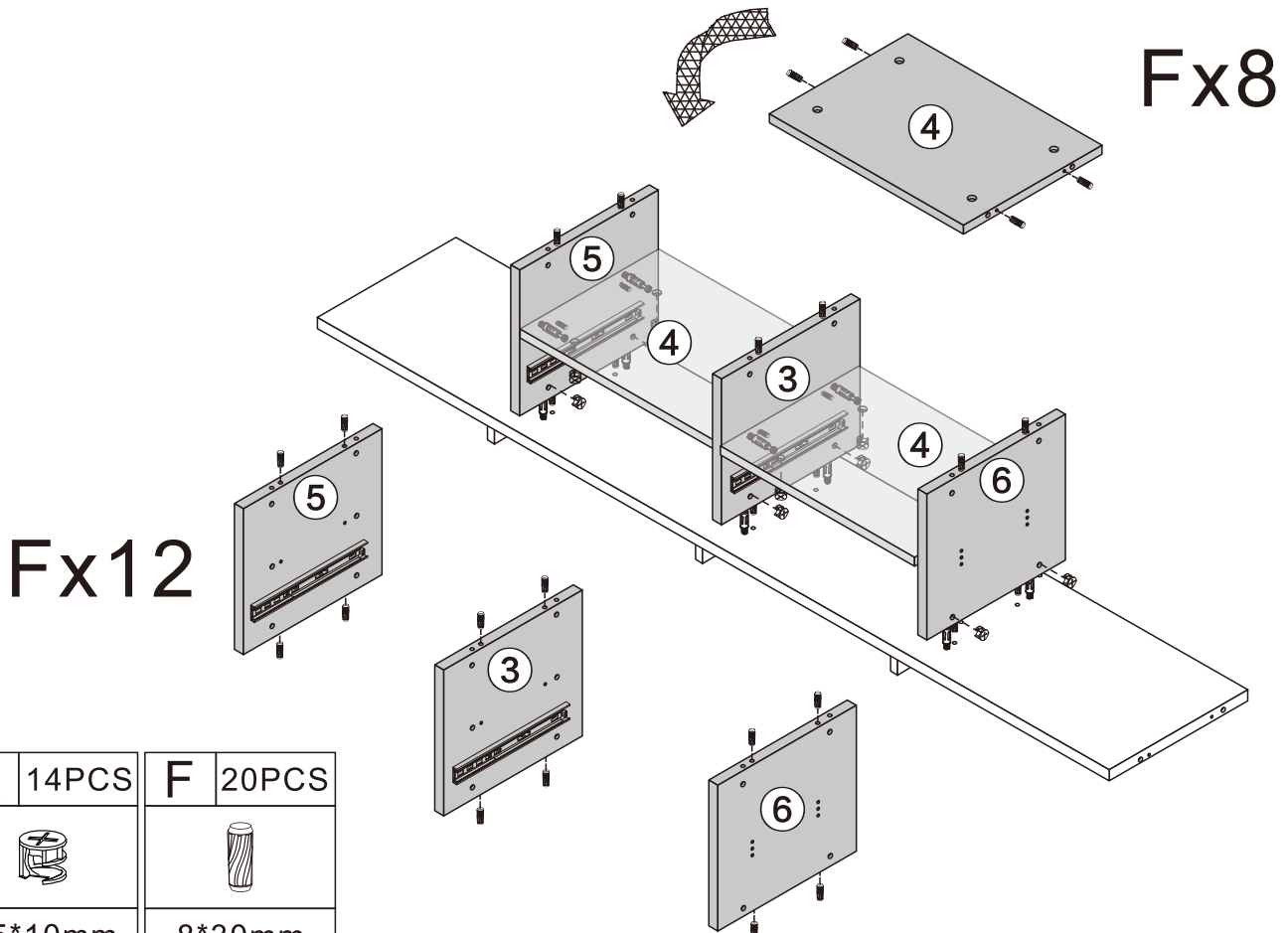
D ₁	4PCS
Three-section Rail	



4



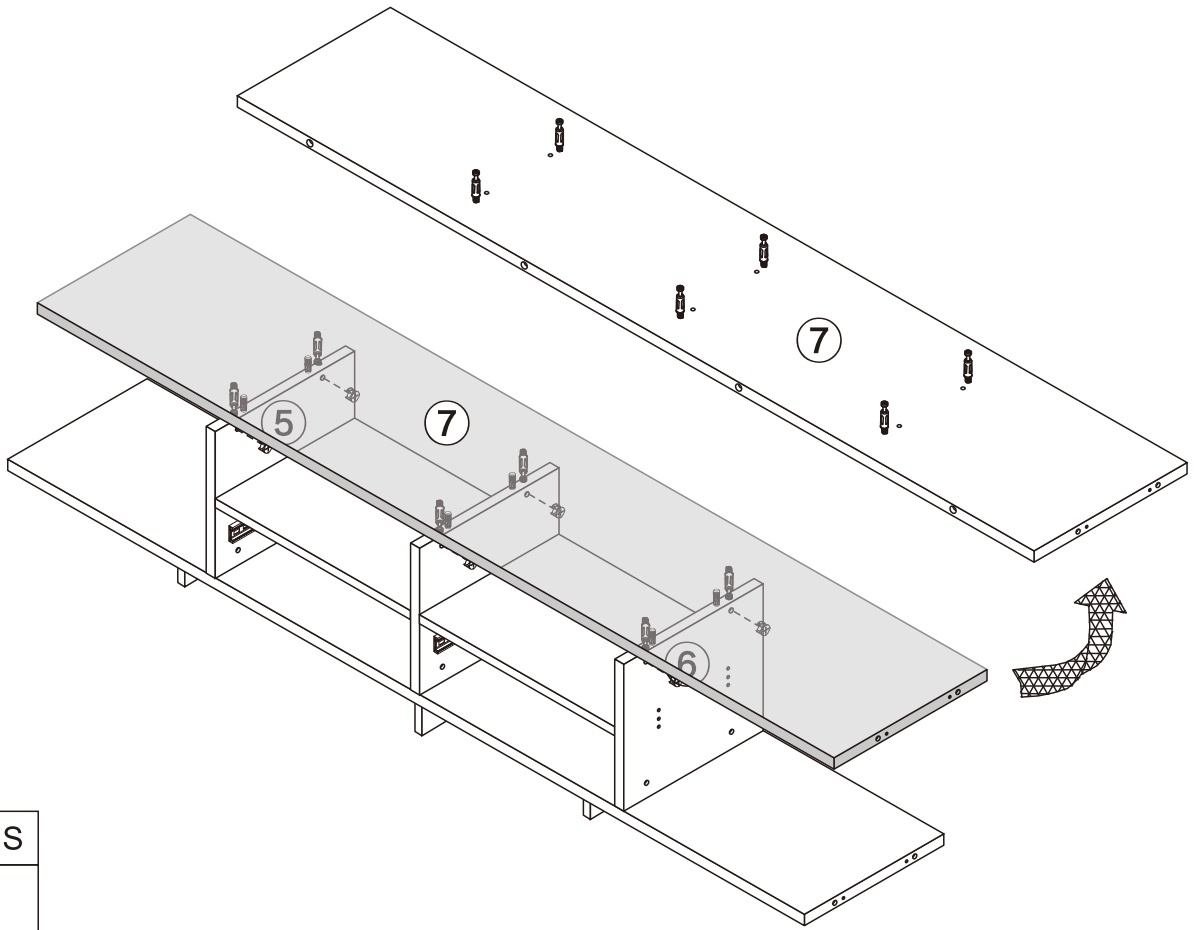
A	6PCS
	
15*10mm	


5



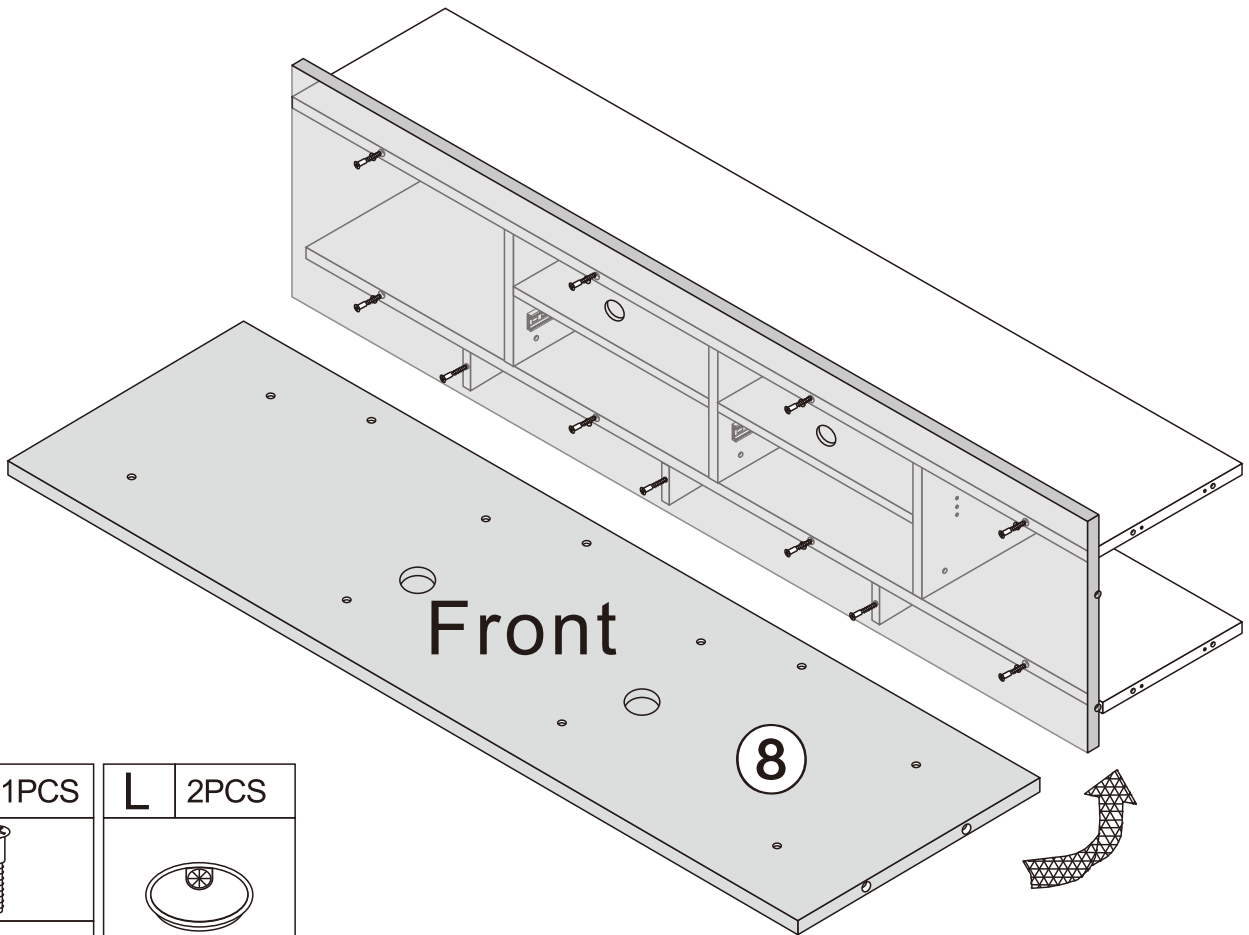
A	14PCS	F	20PCS
			
15*10mm		8*30mm	



6



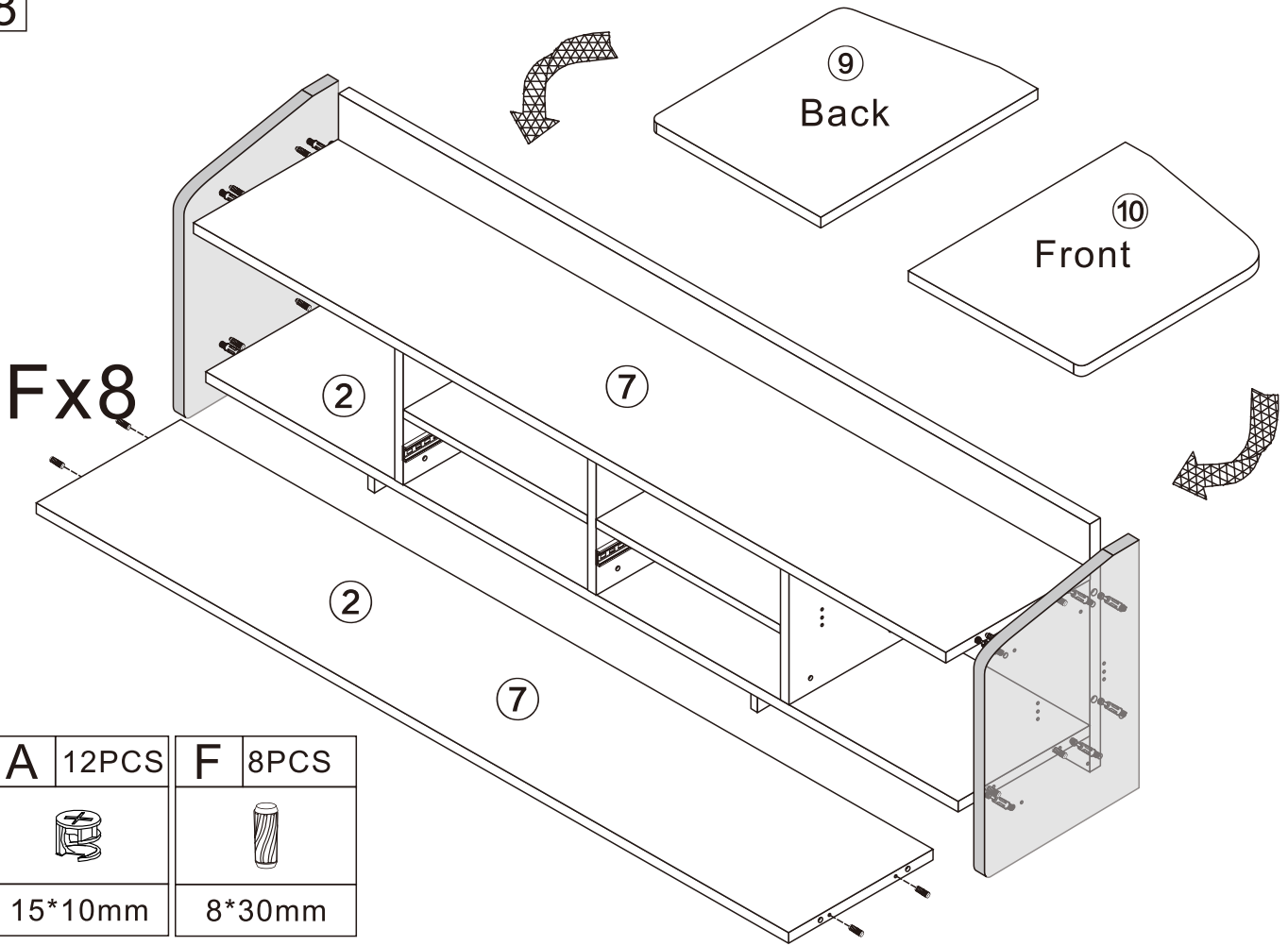
A	6PCS
	
15*10mm	



7



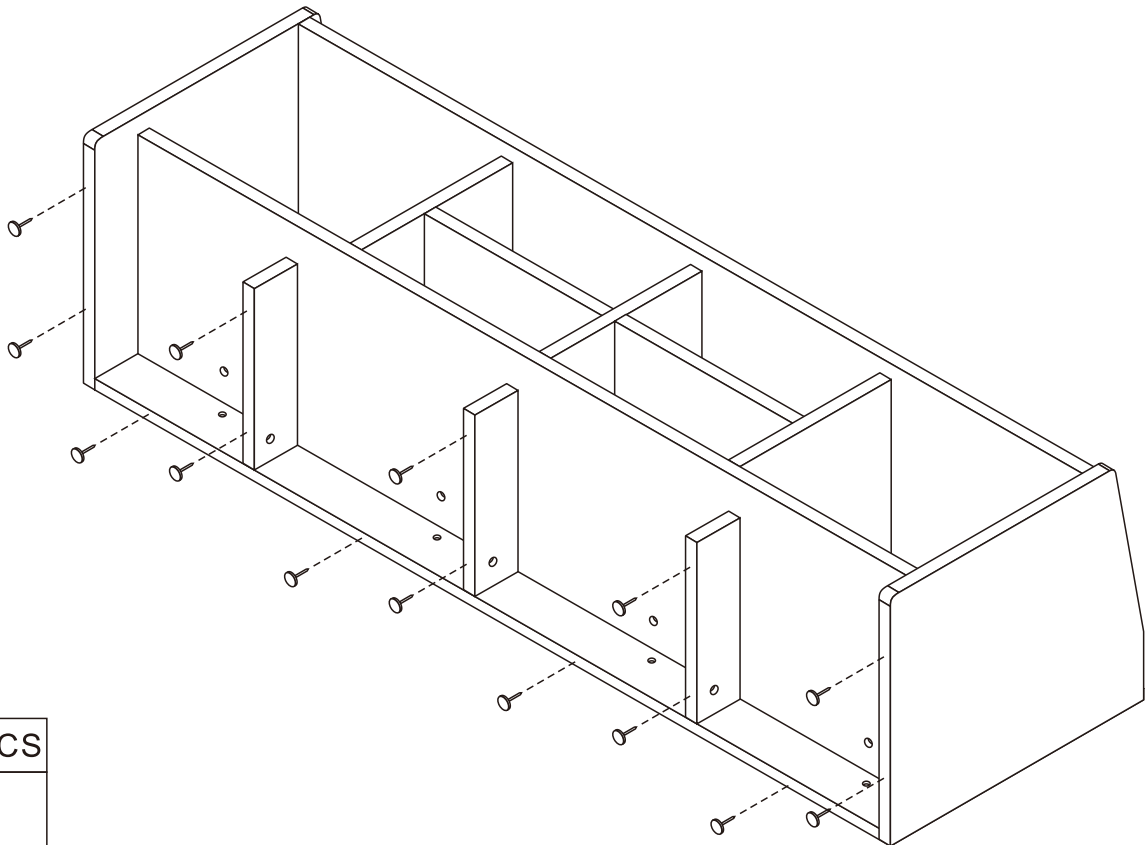
K	11PCS	L	2PCS
			
4*40mm			


8



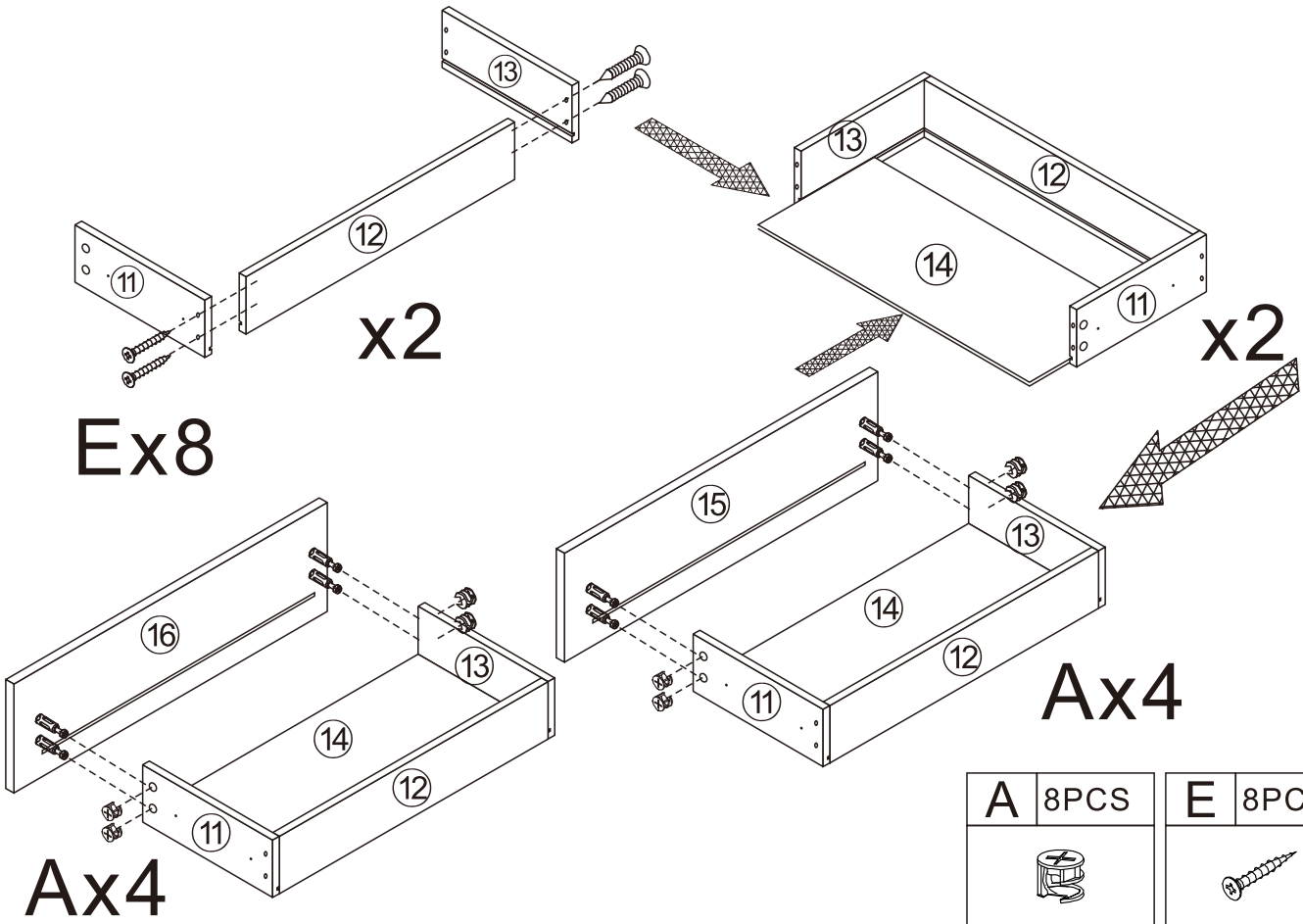
A	12PCS	F	8PCS
			
15*10mm		8*30mm	

9

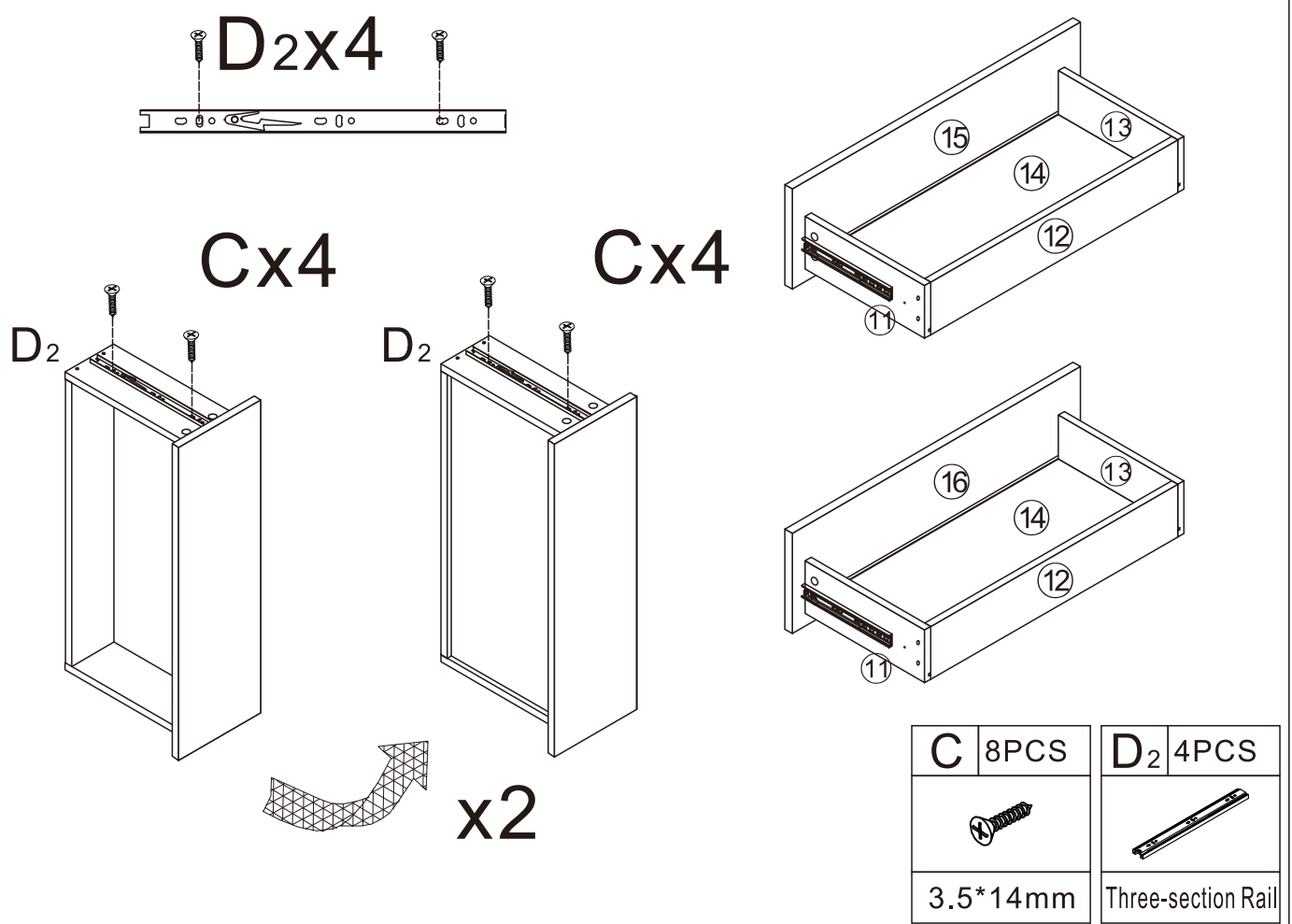


G	14PCS
	
φ 15mm	

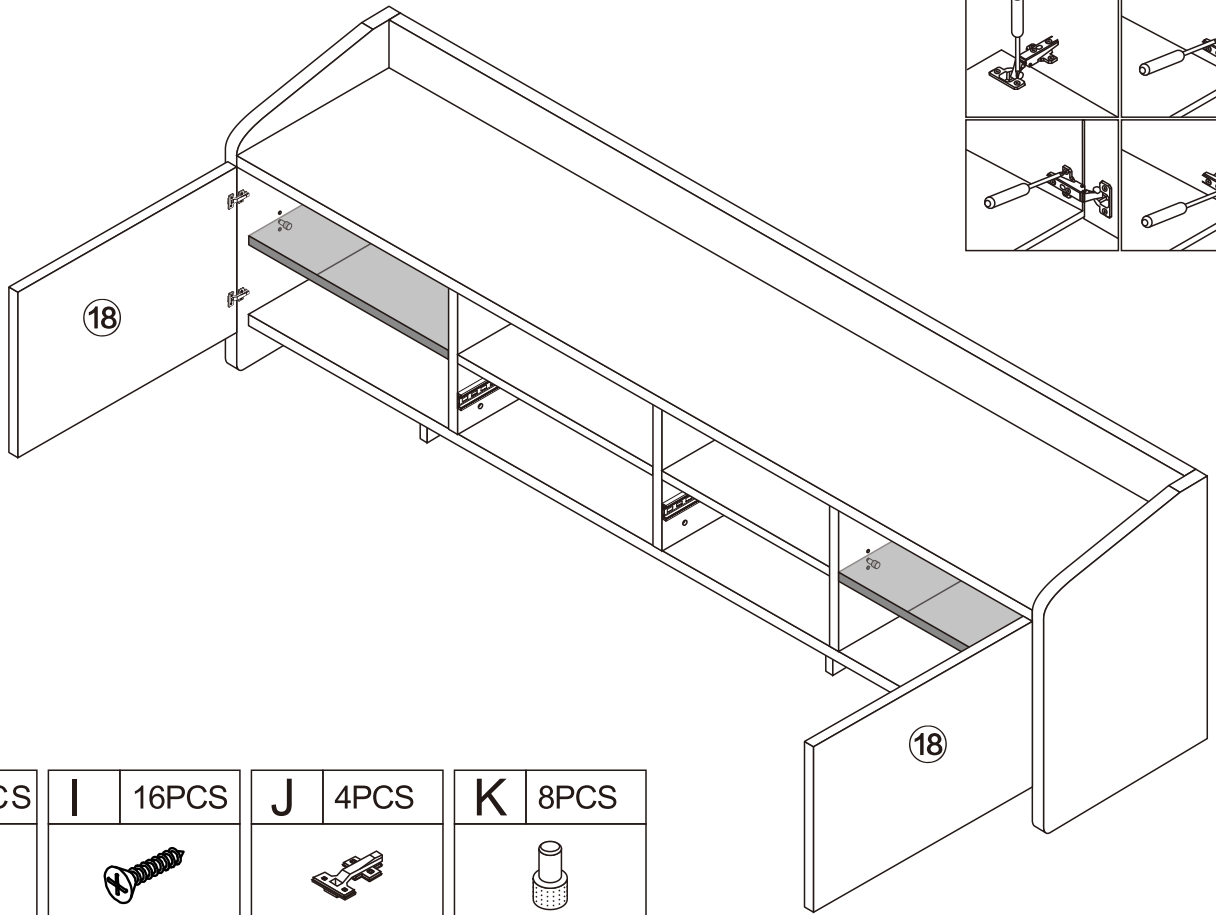
10







11

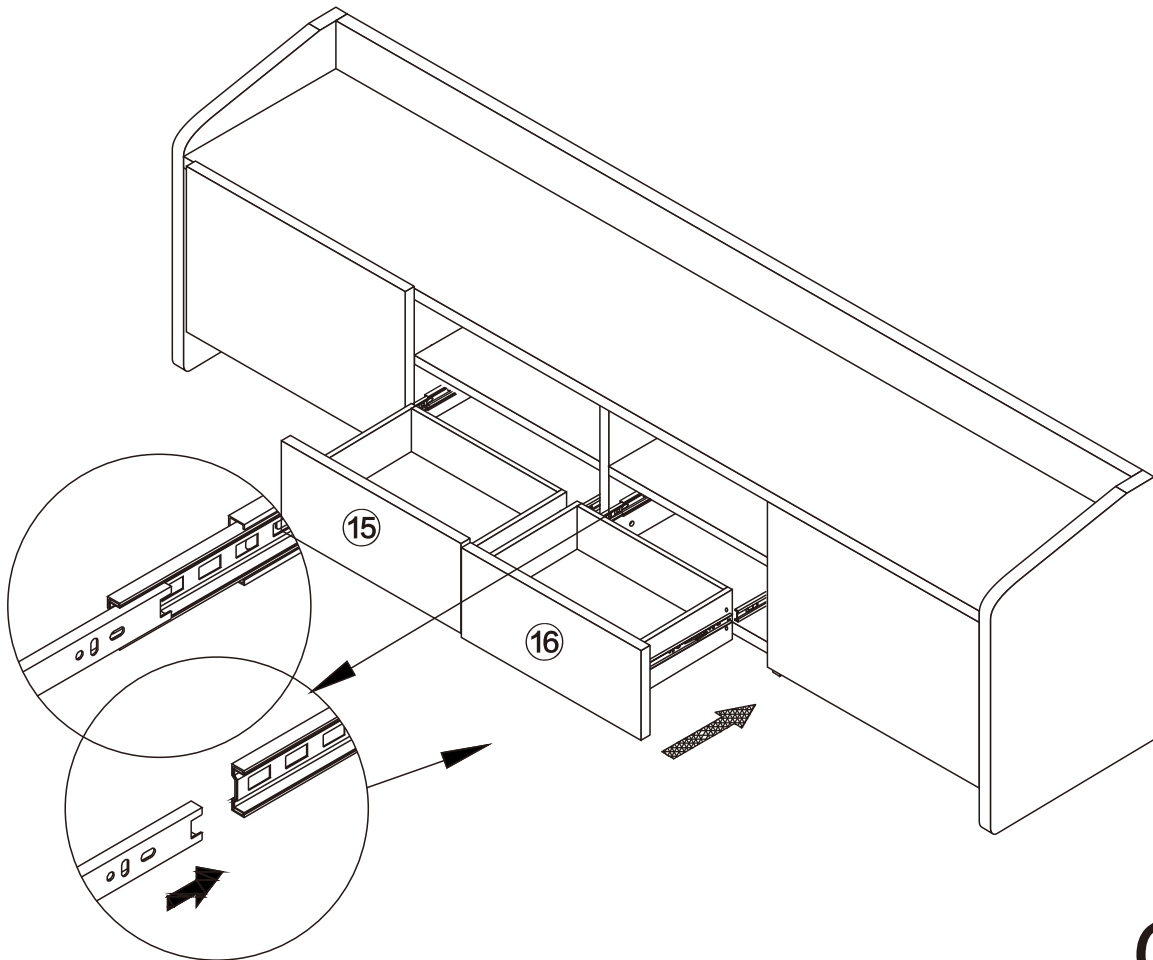


12



C	16PCS	I	16PCS	J	4PCS	K	8PCS
							
3.5*14mm		4*12mm					

13



OK