

Installation Guide



AVORA DOORS

Bi-fold Doors



512-522-2284



www.AvaraDoors.com



info@AvaraDoors.com



+1 908 930 7894



1309 Ave H, Grand Prairie, TX 75050



Installation Guide



Before Installation

- ⇒ Please be sure to secure an additional ¼" space on each side including both top and bottom of frame.
- ⇒ Make sure all sides and floor are level.
(If not level it will cause issues with opening and closing the doors as well as locking the door.)

Materials

(changes depending on number of panels)

1

2

3

4

5

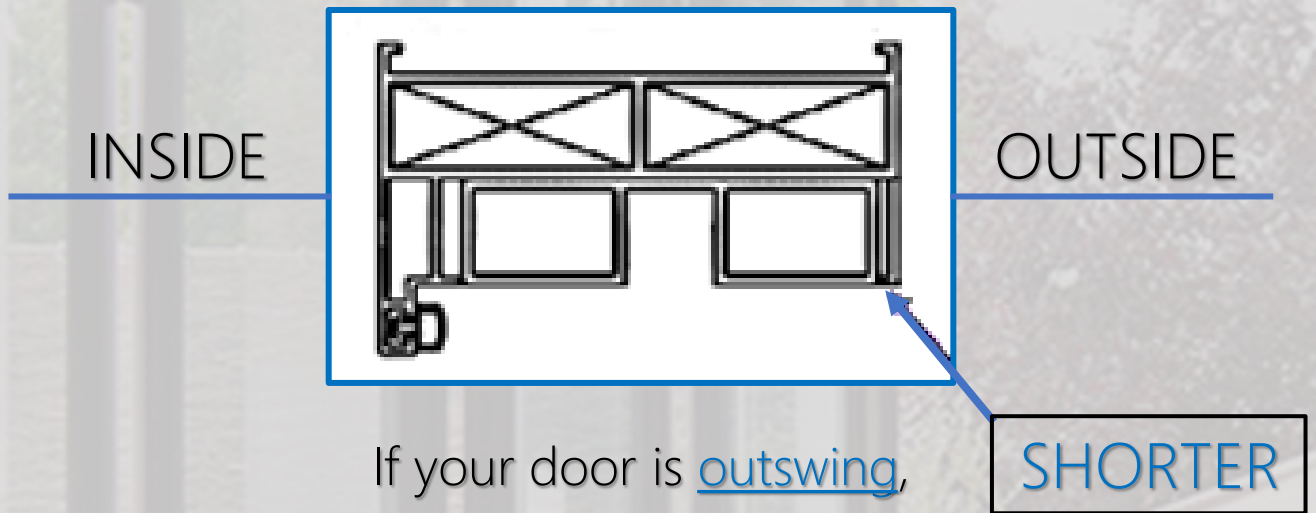
6

7

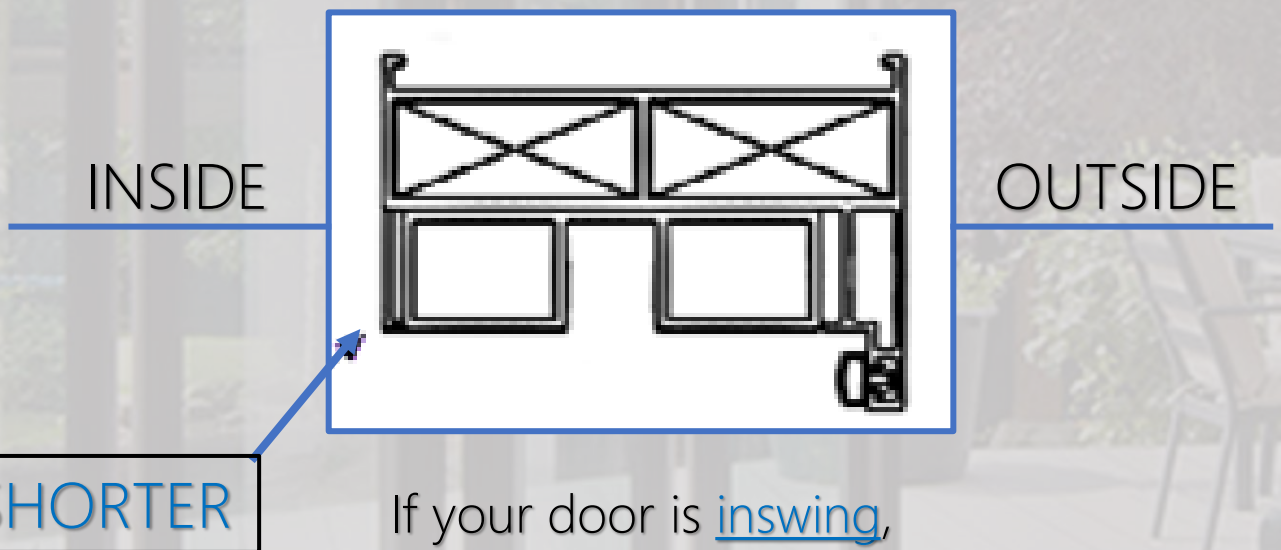
8

Silver or Black

Frame Direction for Inswing and Outswing

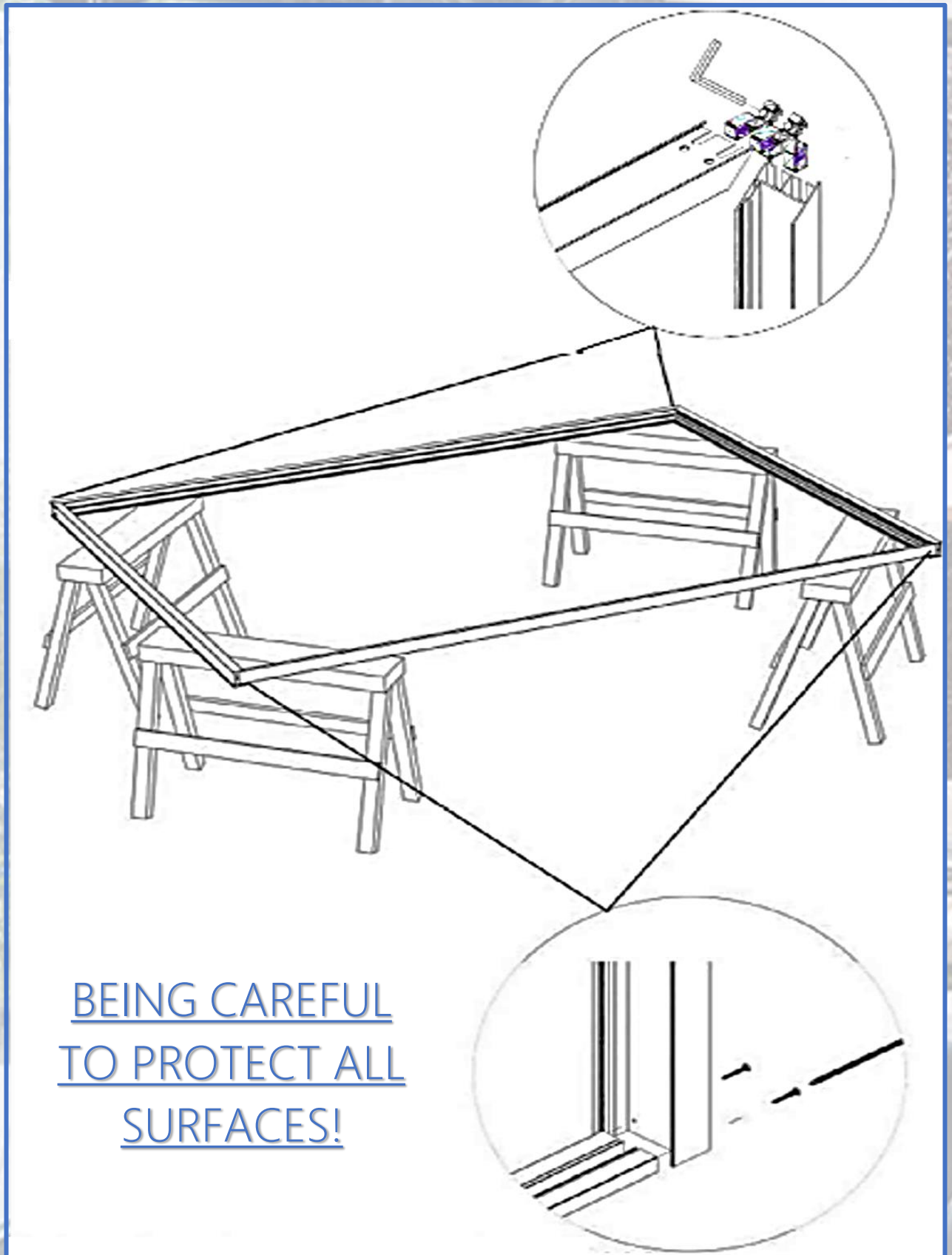


If your door is outswing, shorter side of frame will be outside of house.



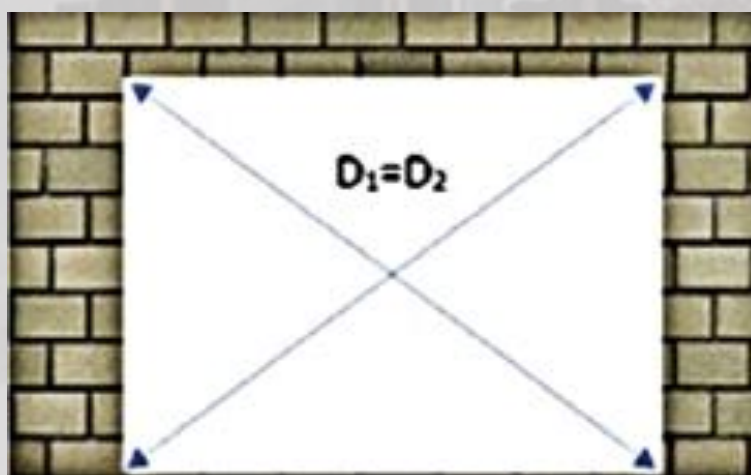
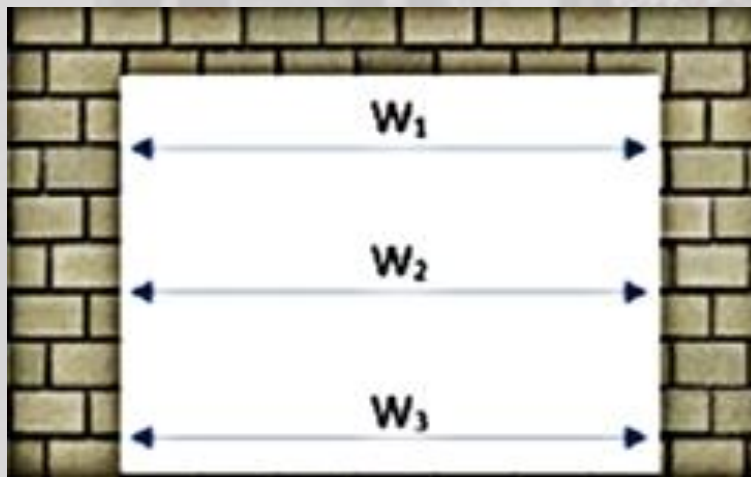
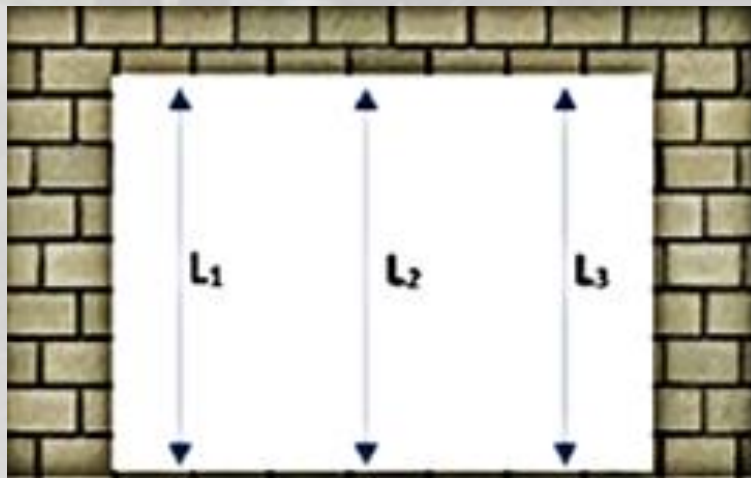
If your door is inswing, shorter side of frame will be inside of house.

Frame Assembly



BEING CAREFUL
TO PROTECT ALL
SURFACES!

How to make The Rough opening on the wall

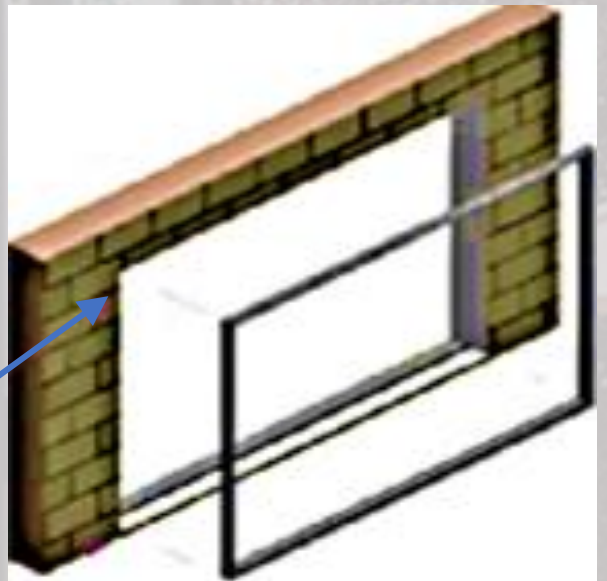
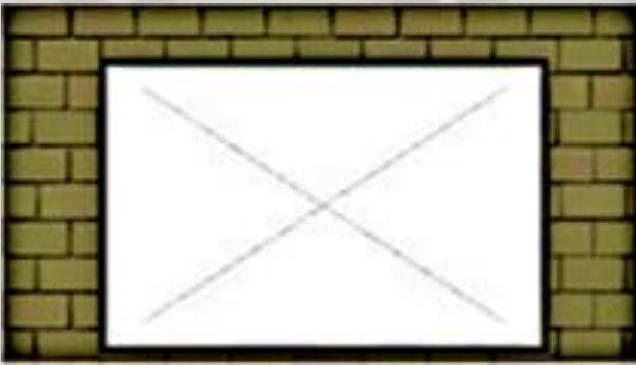


MEASURE $L_1=L_2=L_3$, $W_1=W_2=W_3$, $D_1=D_2$

Frame Installation

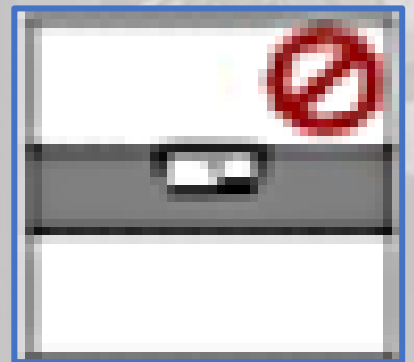
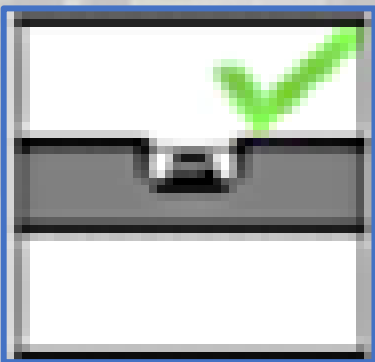
Before Installation:

- ⇒ Please be sure to secure an additional ¼" space on each side including both top and bottom of frame.
- ⇒ Make sure all sides and floor are level.
(If not level it will cause issues with opening and closing the doors as well as locking the door.)

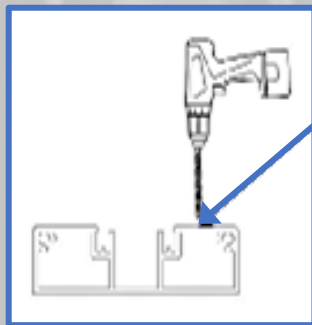
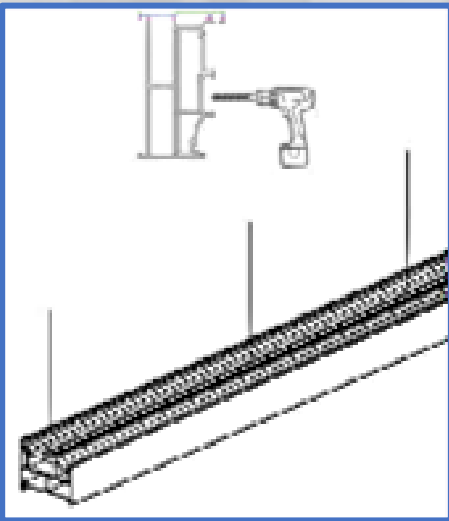
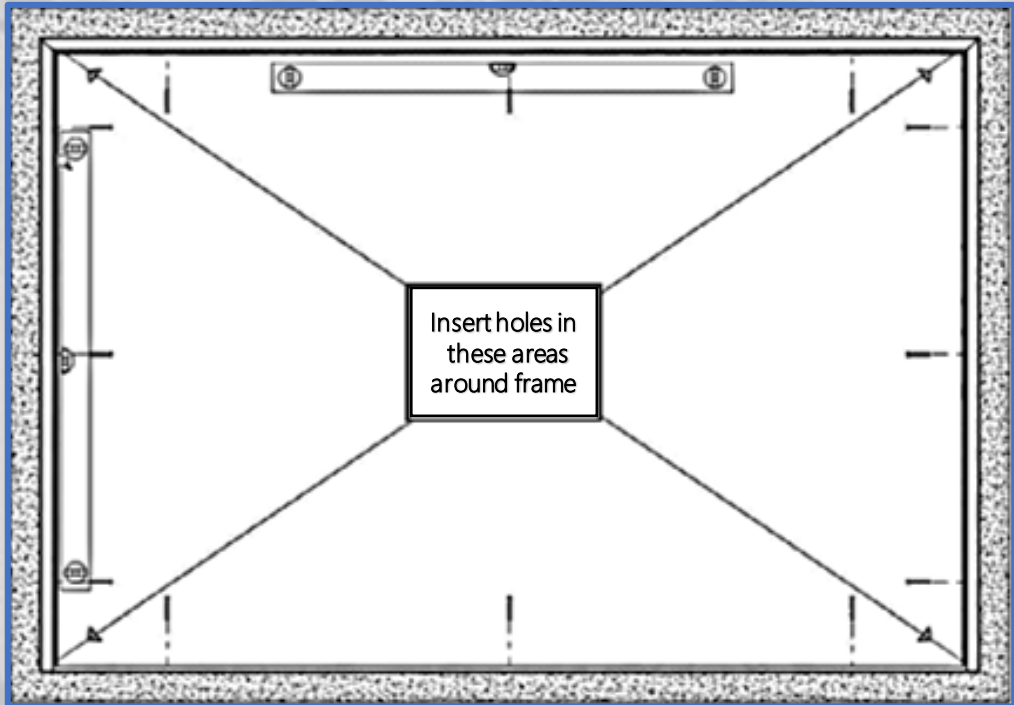


For rough opening
secure ¼" space
on all sides.

USE A LEVELER TO MAKE SURE ALL SIDES ARE LEVEL.

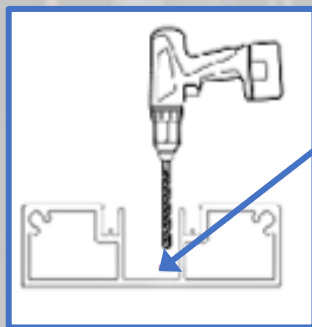


Frame Installation continued



THERMAL BREAK FRAME

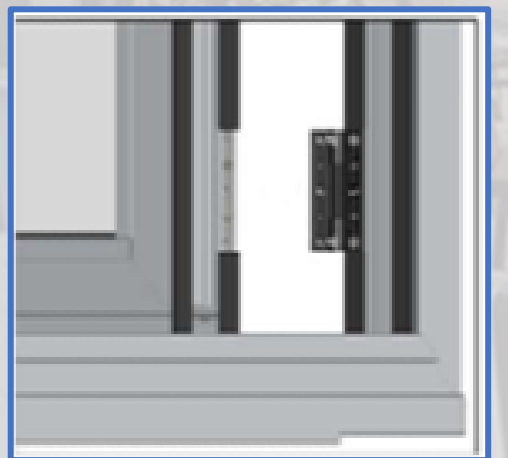
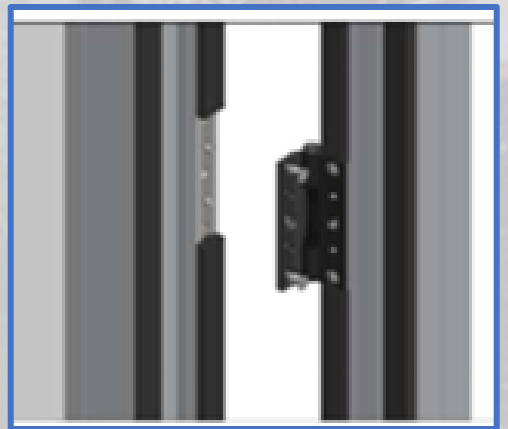
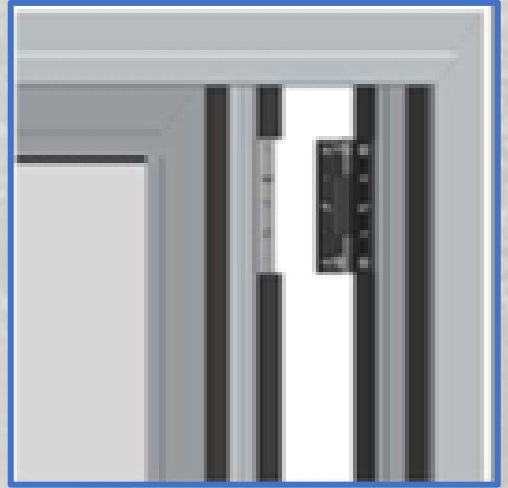
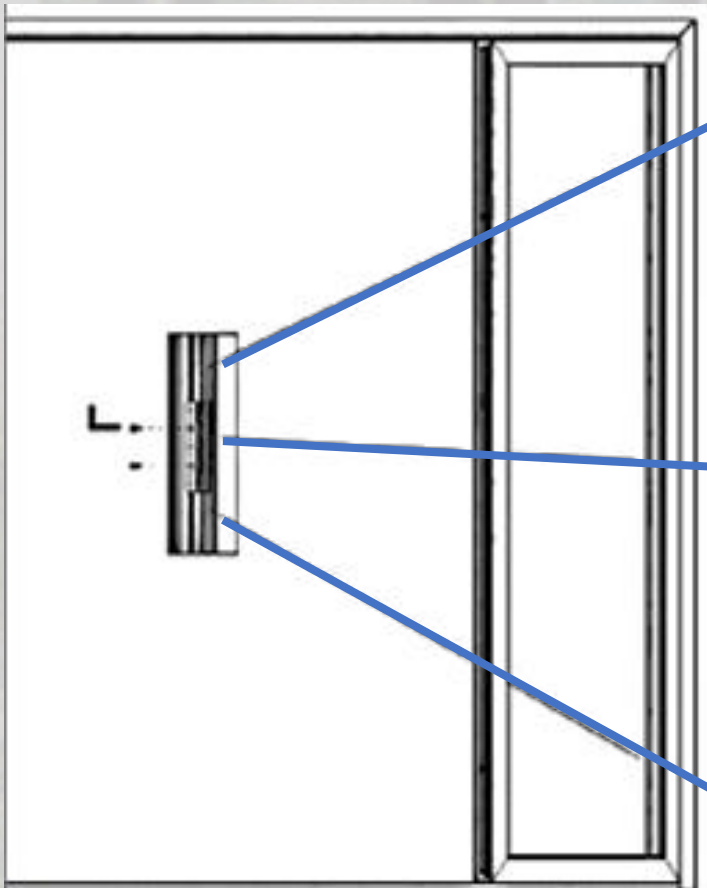
See Picture for reference for Thermal Break Frame holes.



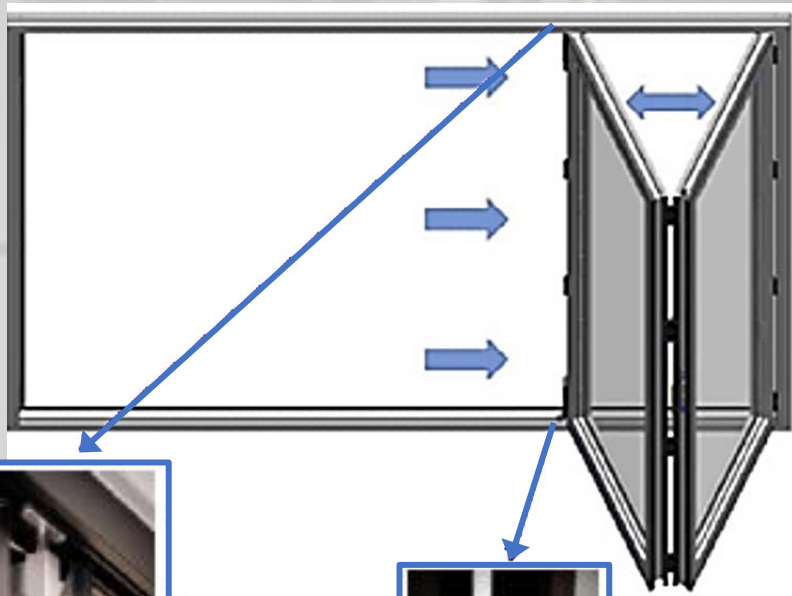
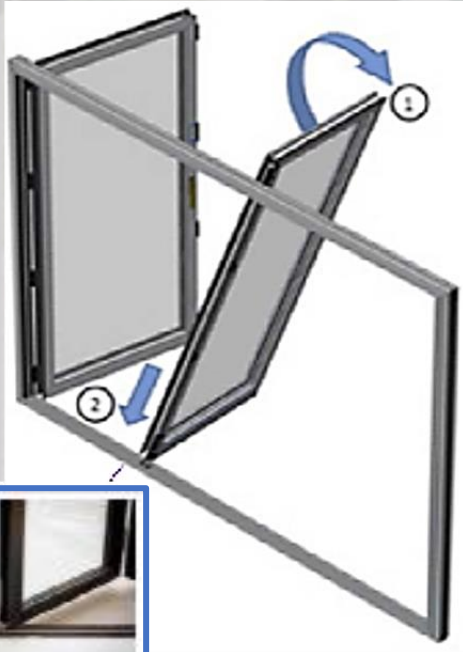
NON-THERMAL BREAK FRAME

See Picture for reference for NON-Thermal Break Frame holes.

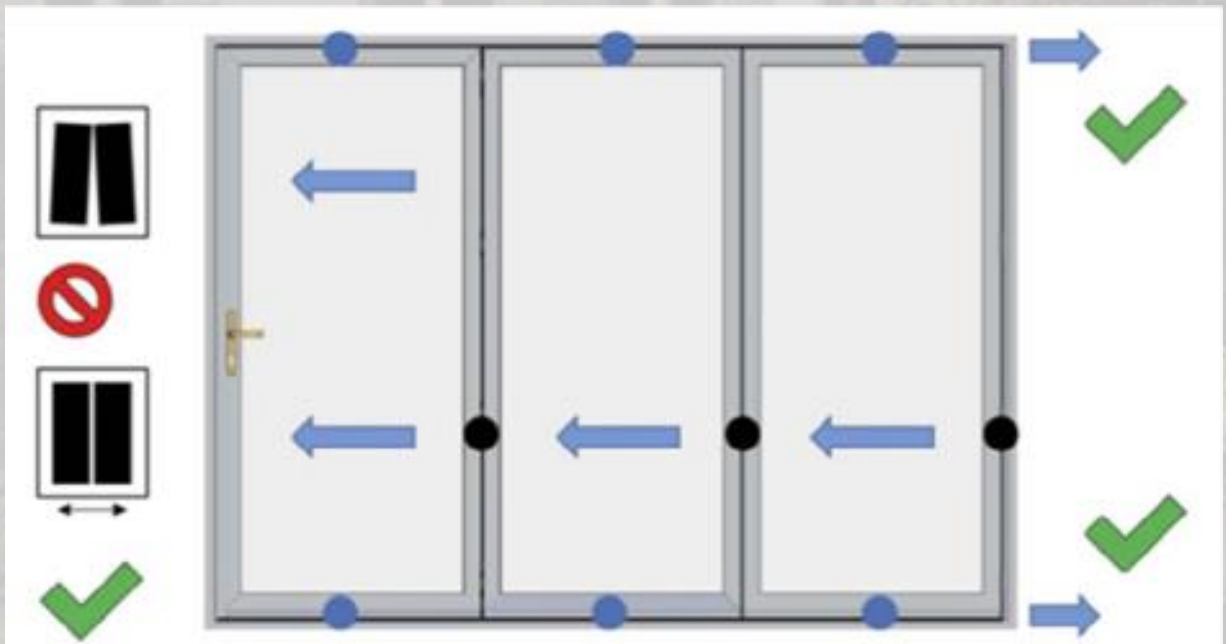
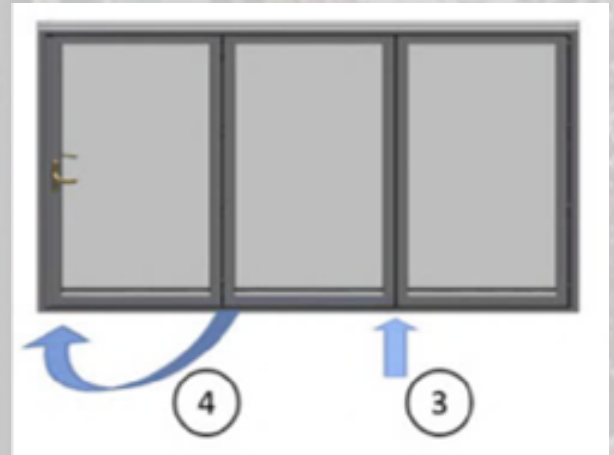
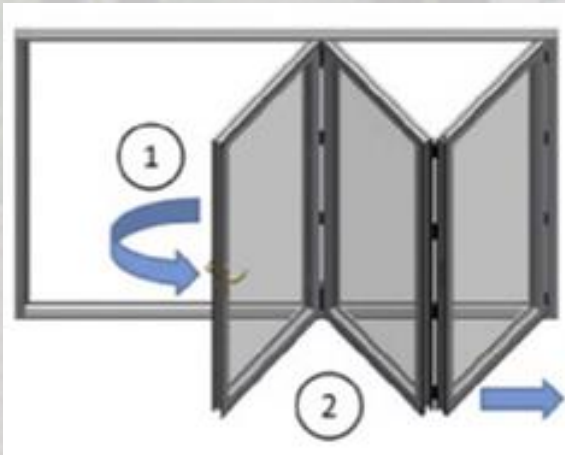
Install The Panels



Install The Panels

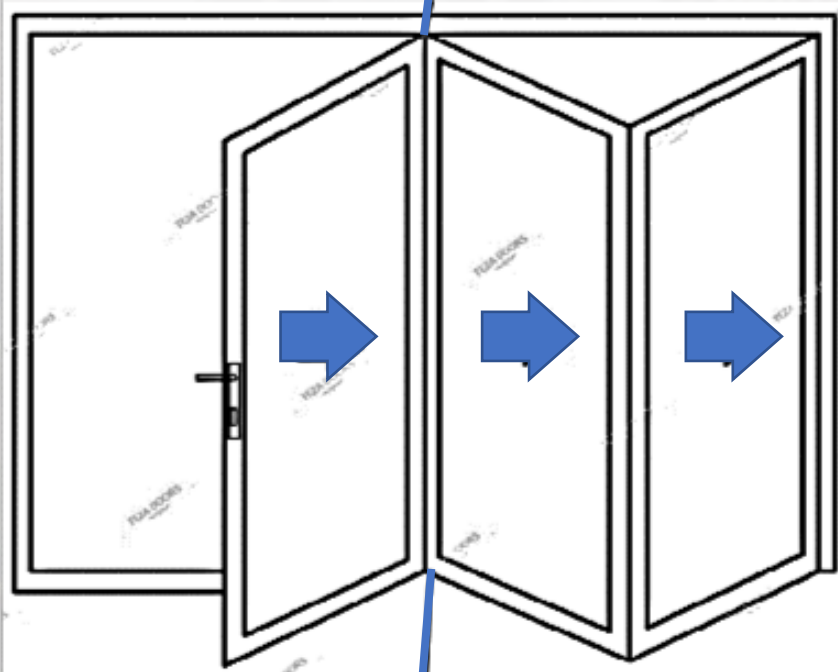


Install The Panels



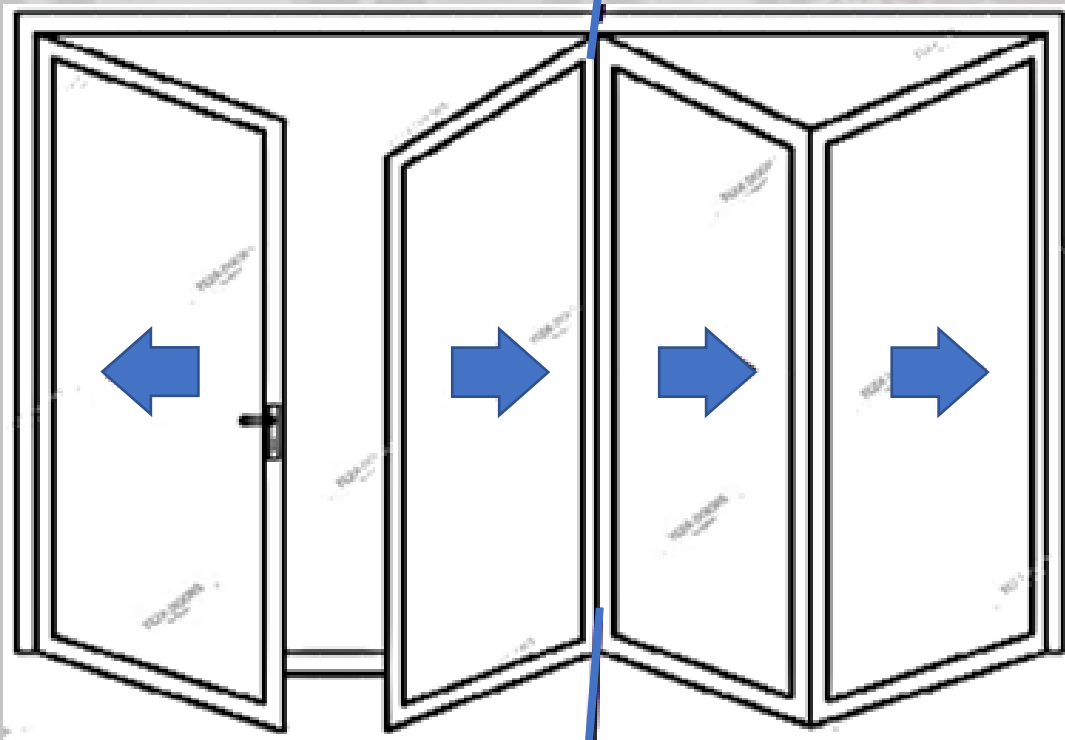
Bi-Fold Doors with 3 Panels

THE TOP ROLLER AND
BOTTOM ROLLER WILL BE
BETWEEN PANEL
2 AND PANEL 3.



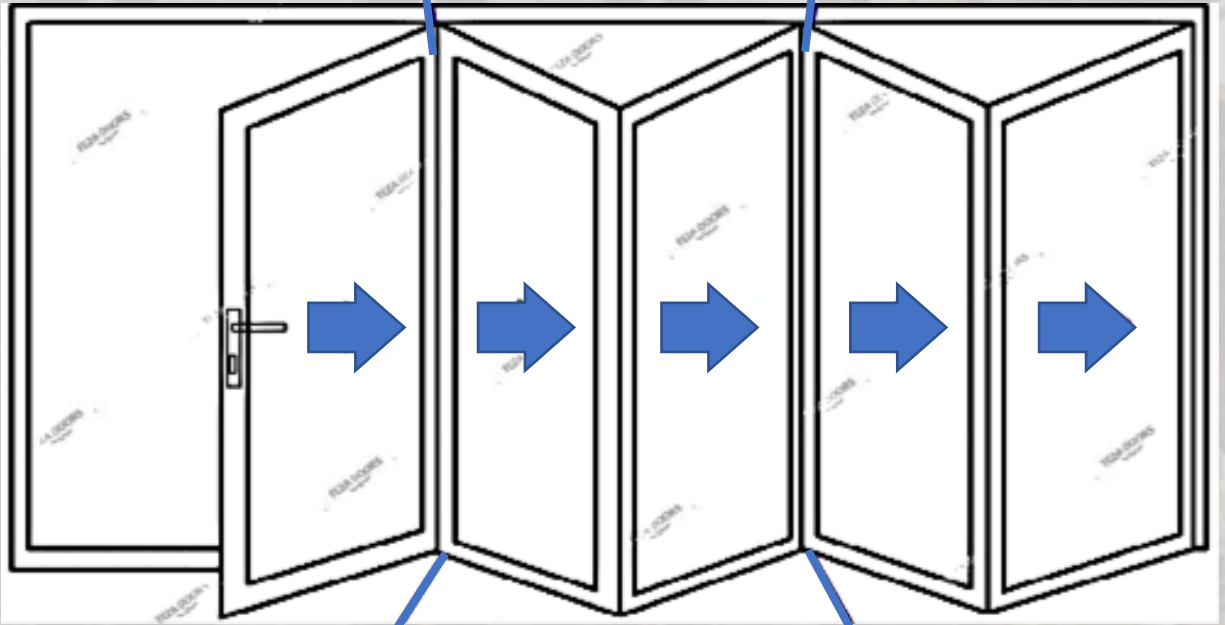
Bi-Fold Doors with 4 Panels

THE TOP ROLLER AND BOTTOM ROLLER WILL BE BETWEEN PANEL 2 AND PANEL 3.

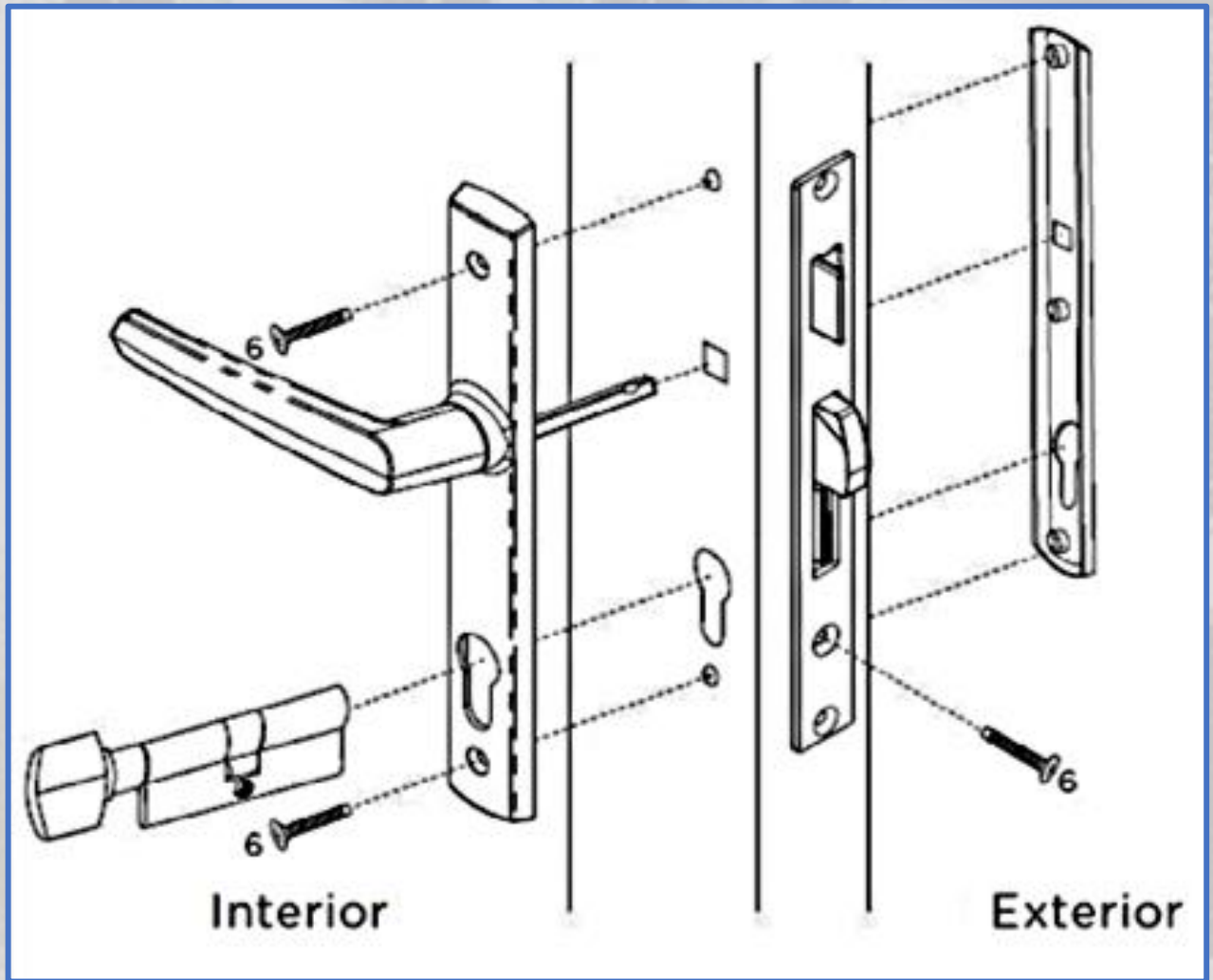


Bi-Fold Doors with 5 Panels

THE TOP
ROLLER AND
BOTTOM
ROLLER WILL BE
BETWEEN
PANEL 2 AND
PANEL 3 +
PANEL 4 AND
PANEL 5.



Install The Lock



Install The Lock

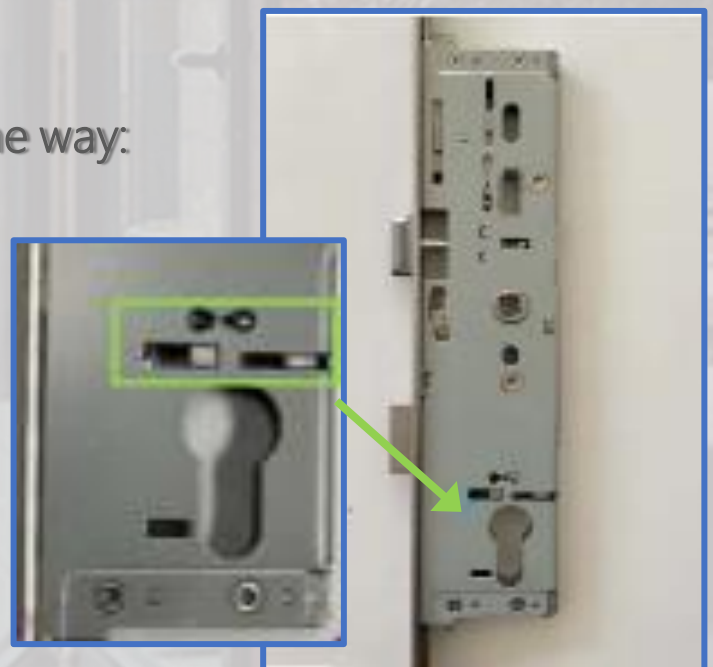
How to raise or lower the panels:

To **raise** the panels, loosen the top screw and fasten the lower screw.
To **lower** the panels, fasten the top screw and loosen the lower screw.



How to fix lock if doesn't turn all the way:

Make Sure, the little switch is all the way to the right or the left side. (By using screw driver move little switch to left and right side)



Our Contact Informations →



AVORA DOORS



512-522-2284



www.AvoraDoors.com



info@AvoraDoors.com



+1 908 930 7894



1309 Ave H, Grand Prairie, TX 75050