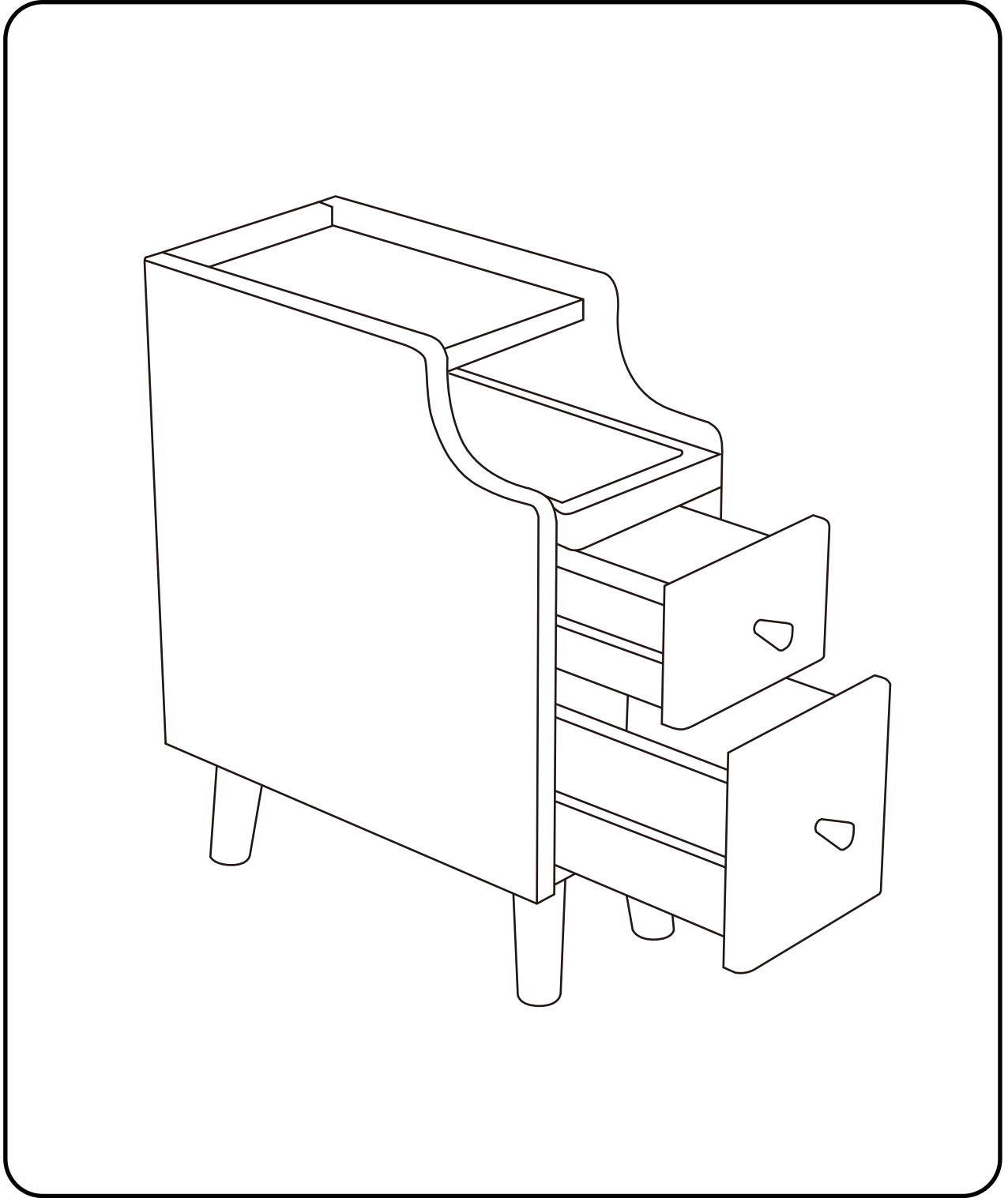
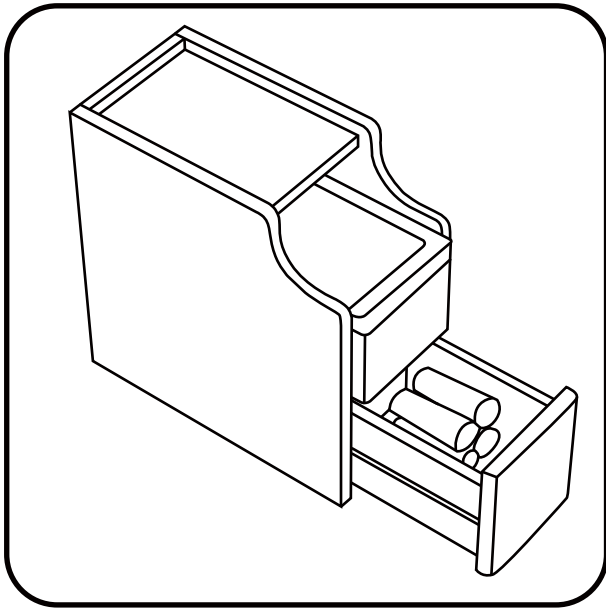


Solid Wood Nightstand



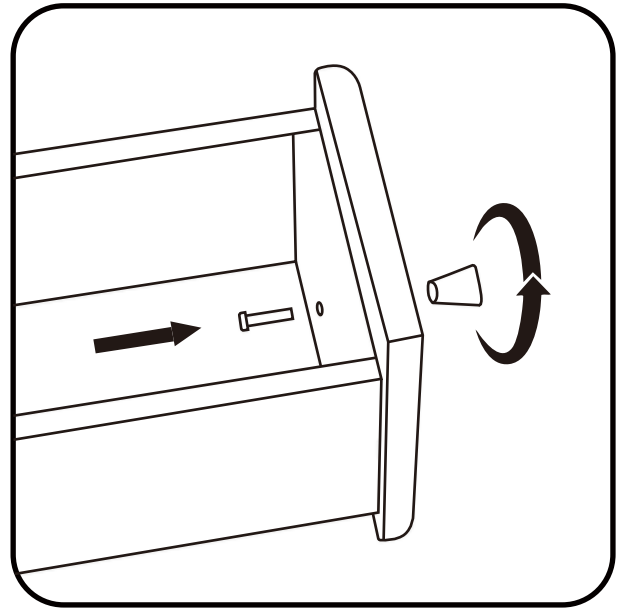
Attention:

Simply install the feet and drawer handles



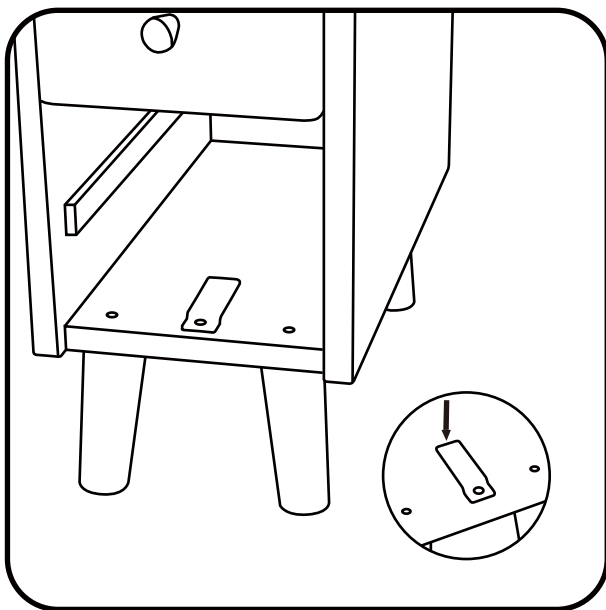
Step 1:

Open the drawer and take out the solid wood feet



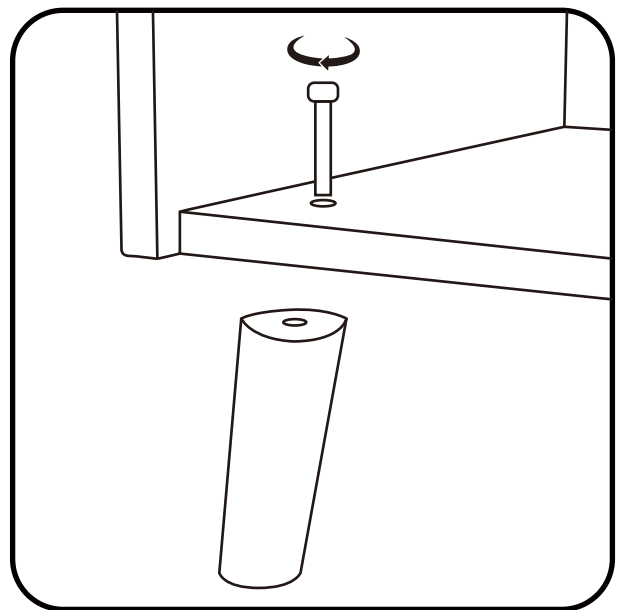
Step 2:

Install drawer handle



Step 3:

Press and hold the white clip, then remove the drawer below



Step 4:

Install solid wood legs