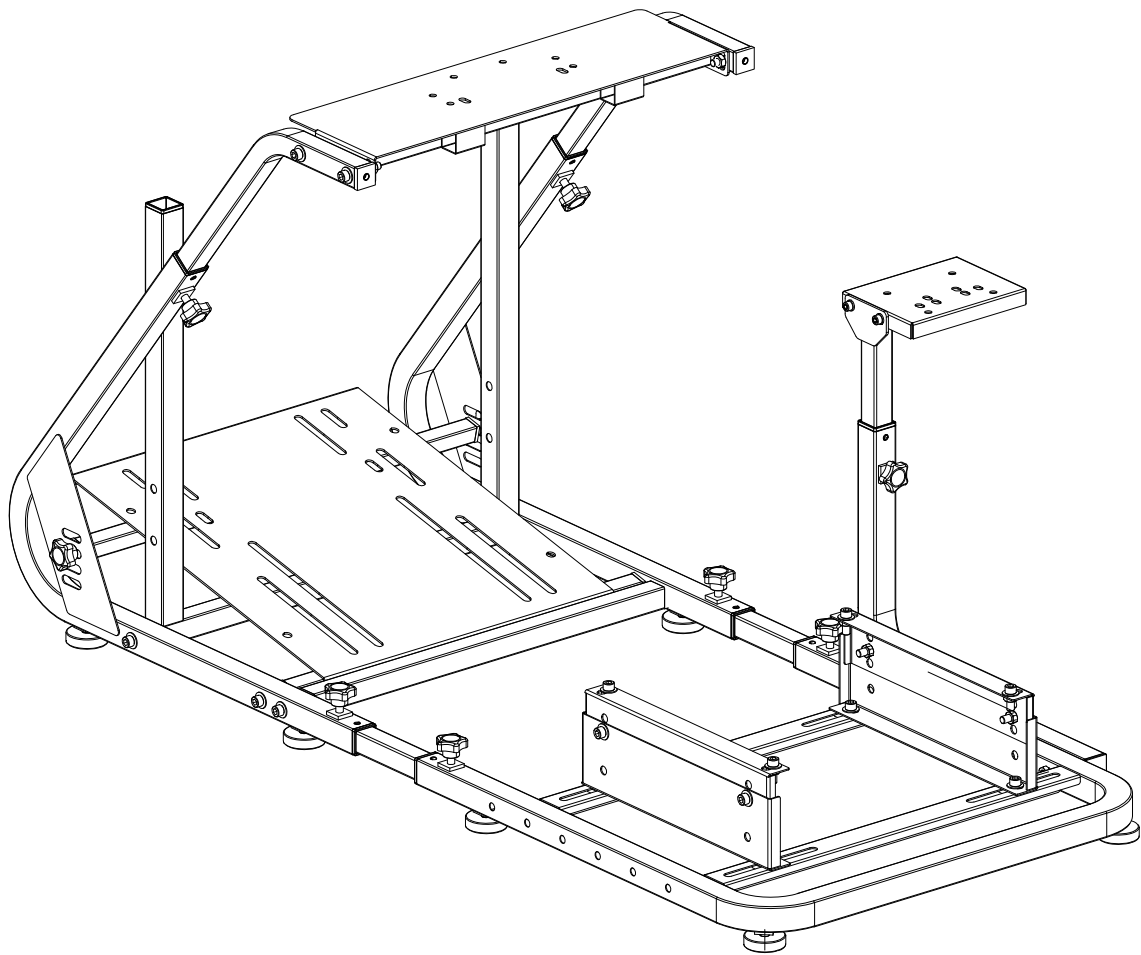
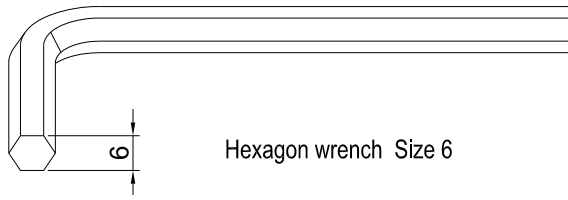


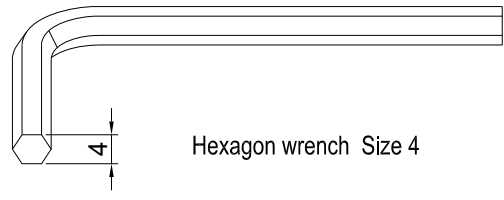
Product Assembly Manual



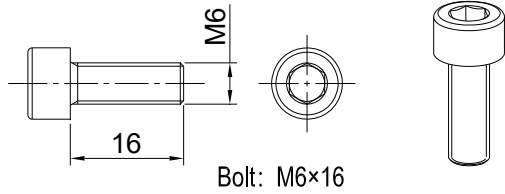
accessories explanation



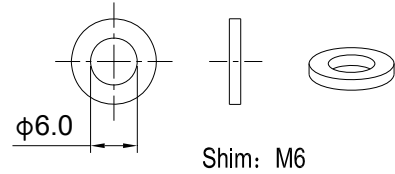
Hexagon wrench Size 6



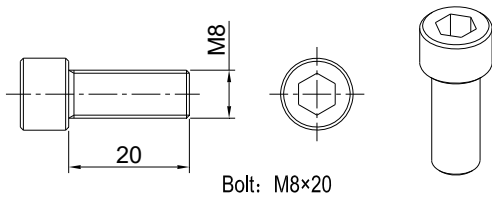
Hexagon wrench Size 4



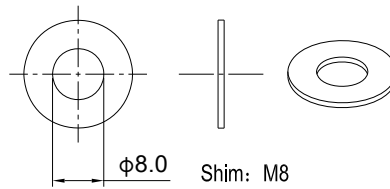
Bolt: M6x16



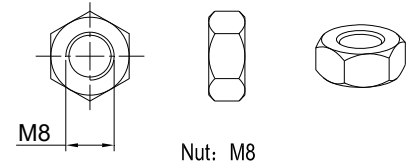
Shim: M6



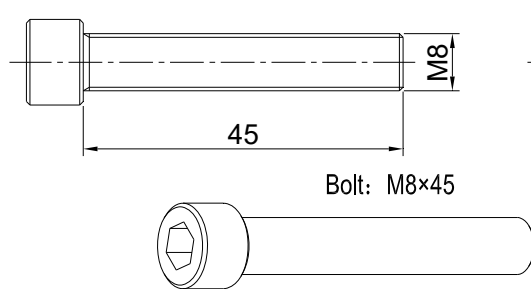
Bolt: M8x20



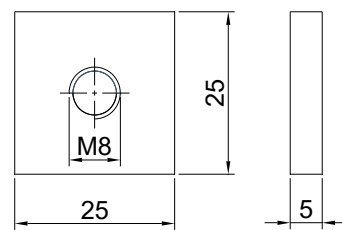
Shim: M8



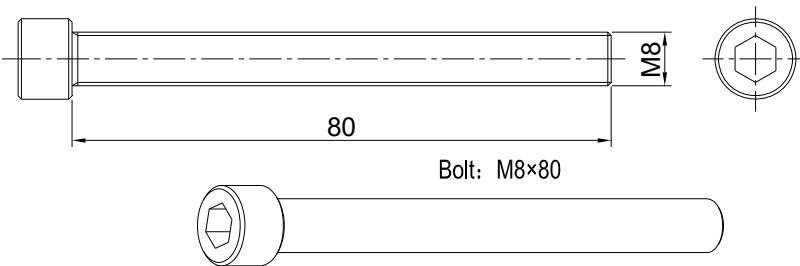
Nut: M8



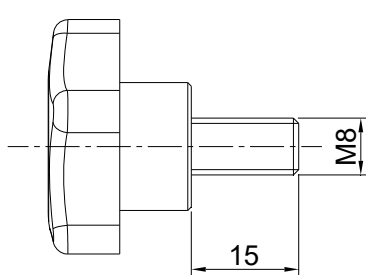
Bolt: M8x45



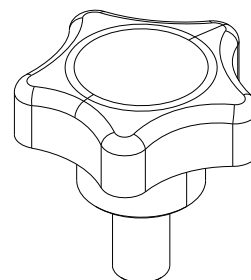
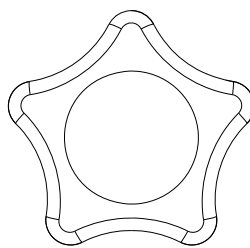
Square Nut: M8 x25x25x5



Bolt: M8x80

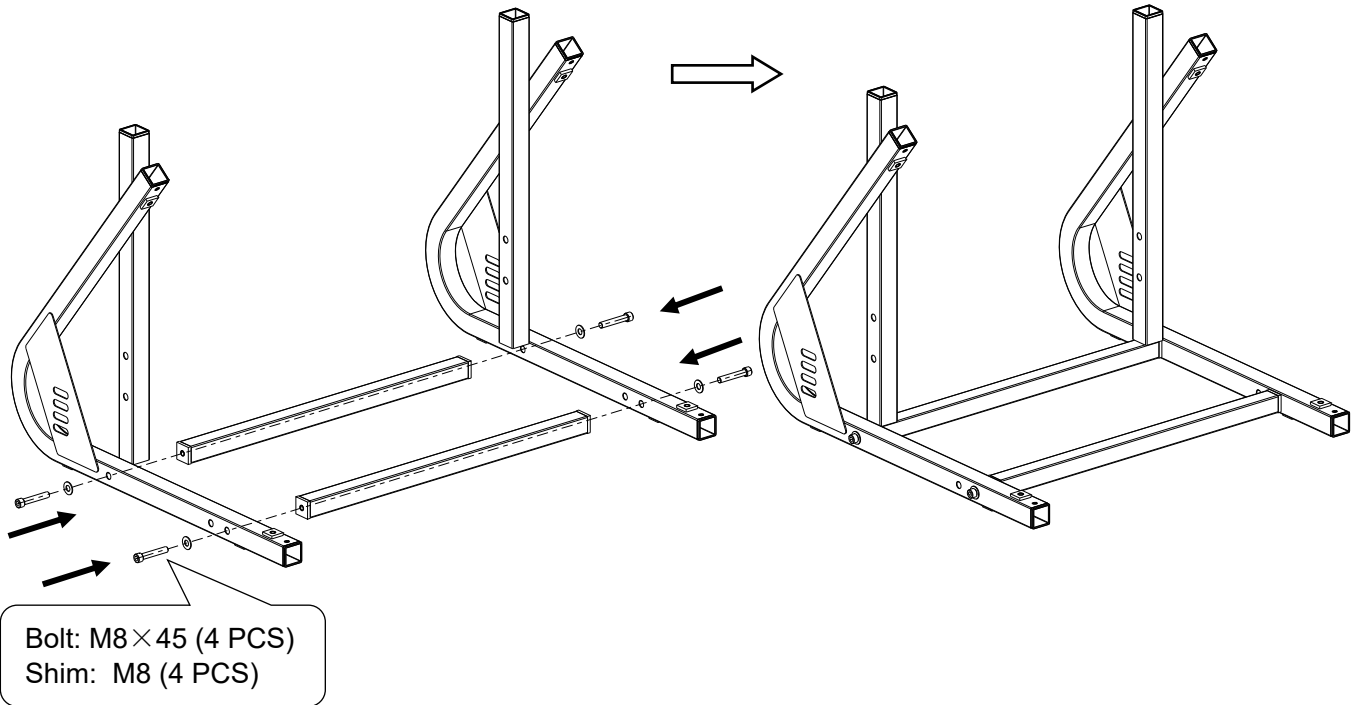


Handle Bolt: M8x15

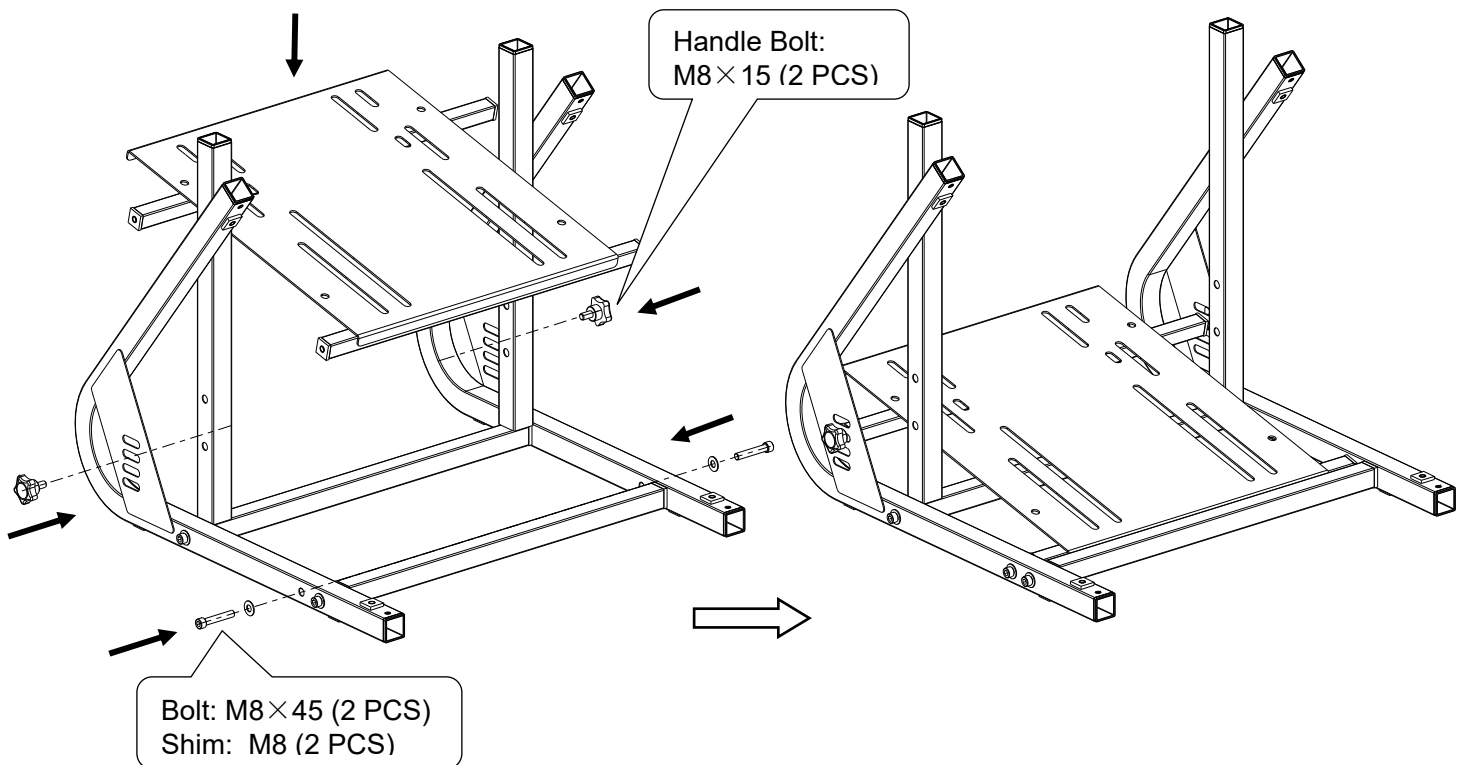


Assembly Processes

1. Assemble the left and right retaining stand with 4 pieces of the bolt(M8×45) and 4 pieces of the shim (M8)

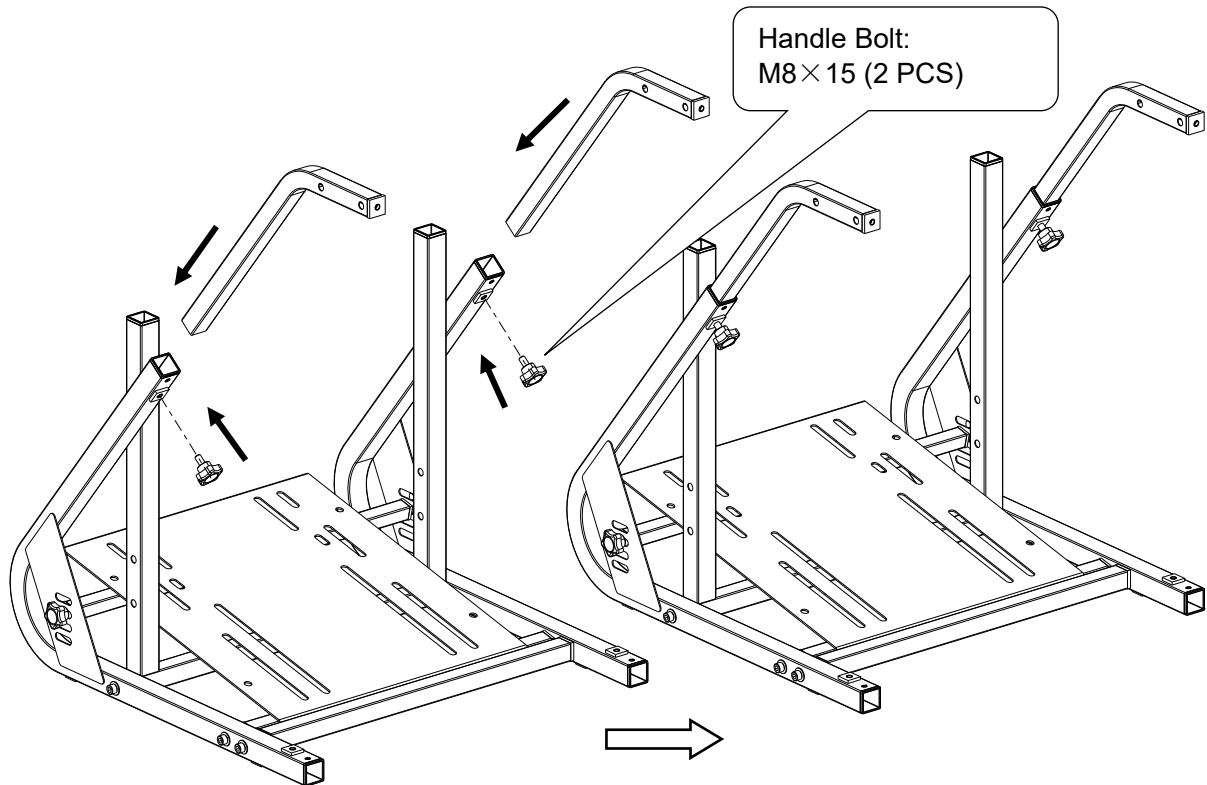


2. Assemble the base plate support stand with 2 pieces of the Handle Bolt (M8×15) 、 2 pieces of the bolt (M8×45) and 2 pieces of the shim (M8)

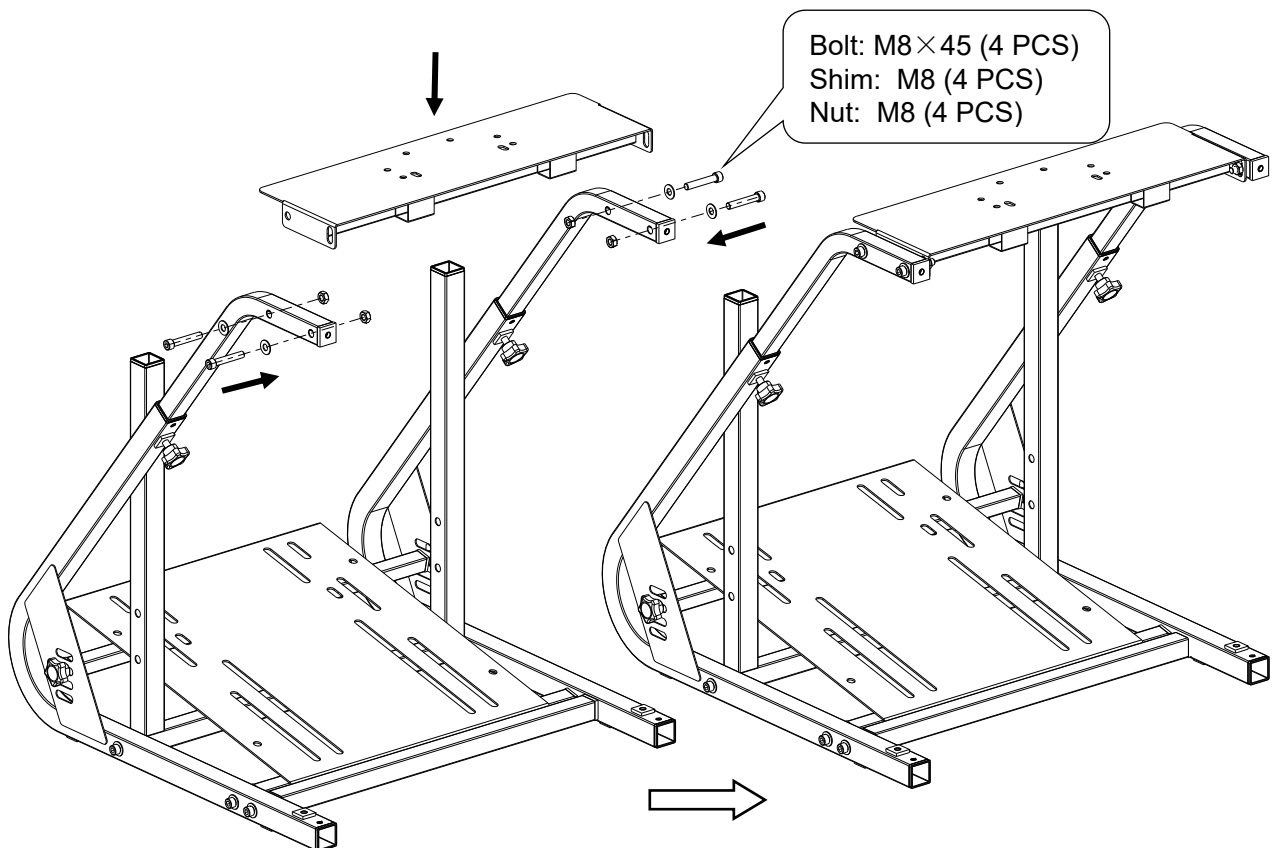


Racing Simulator Stand

3. Assemble left and right adjusting stand with 2 pieces of the Handle Bolt (M8×15)

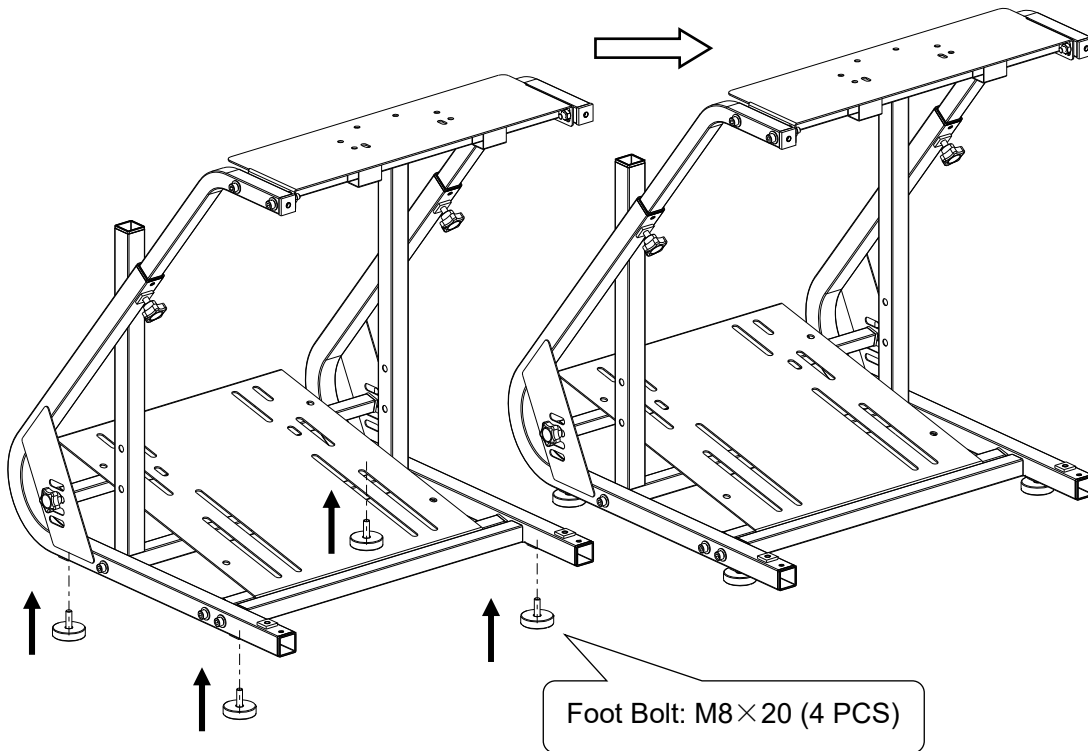


4. Assemble the steering wheel mounting stand with 4 pieces of the bolt (M8×45), 4 pieces of the shim (M8) and 4 pieces of the nut (M8)

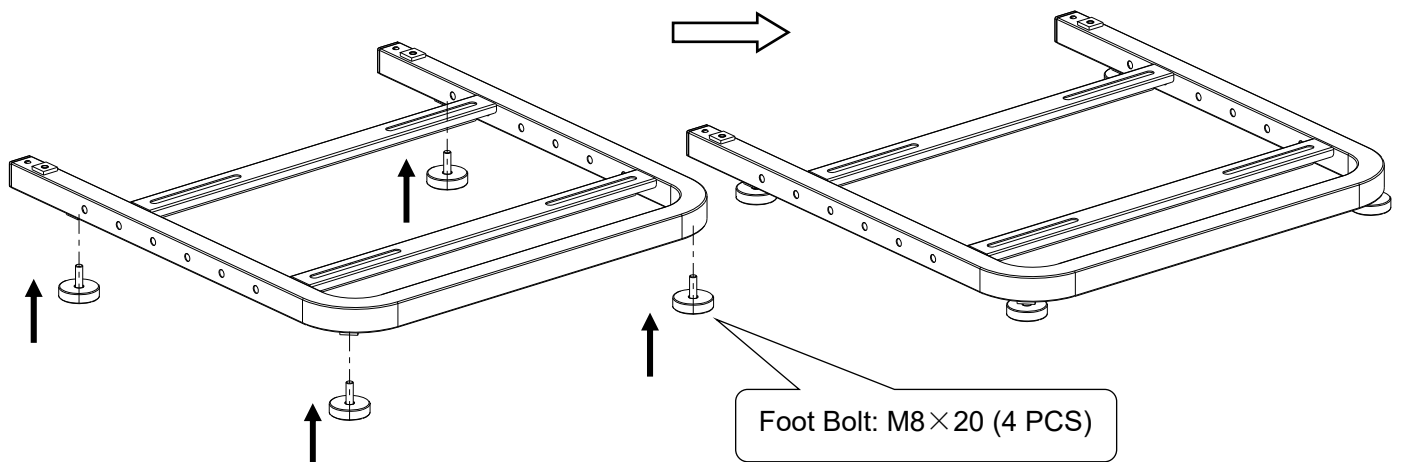


Racing Simulator Stand

5. Assemble 4 pieces of the anti-skid foot bolt (M8×20) to the frontpart stand

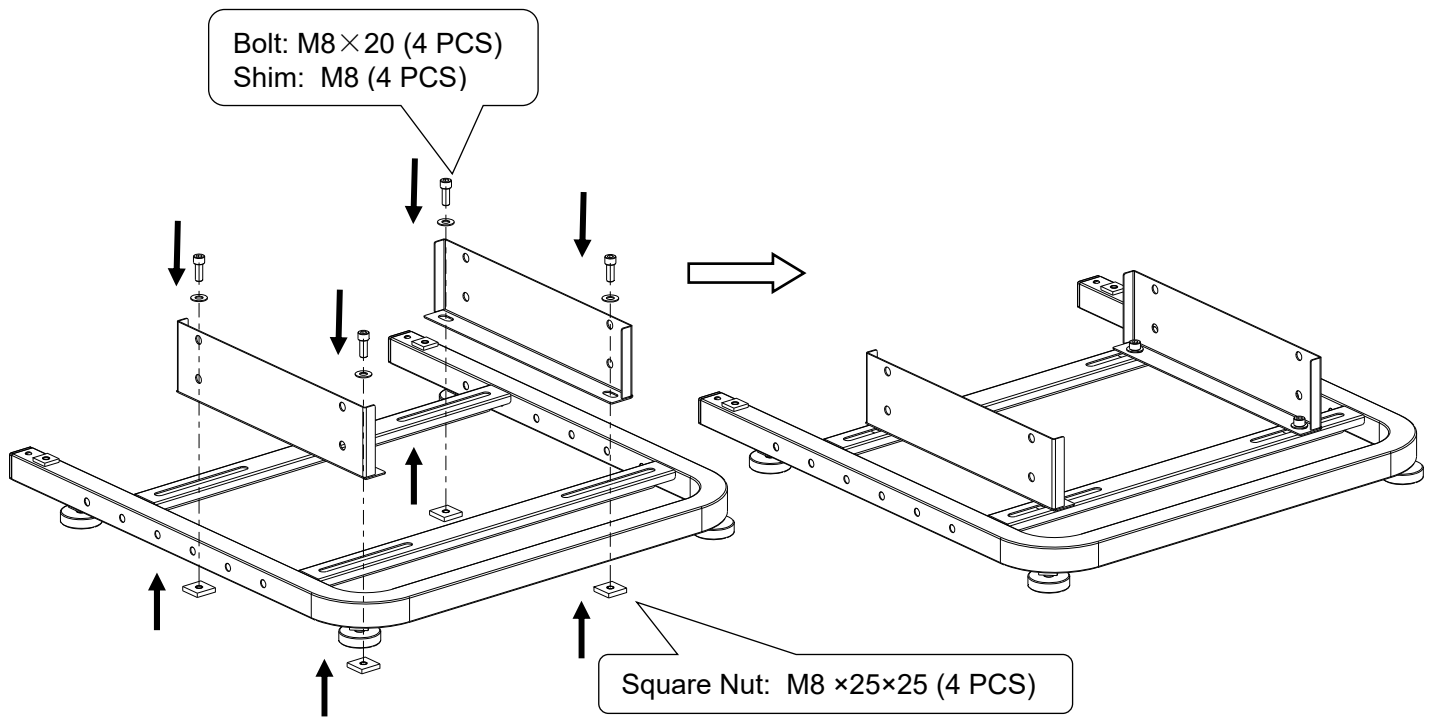


6. Assemble 4 pieces of the anti-skid foot bolt (M8×20) to the afterpart stand

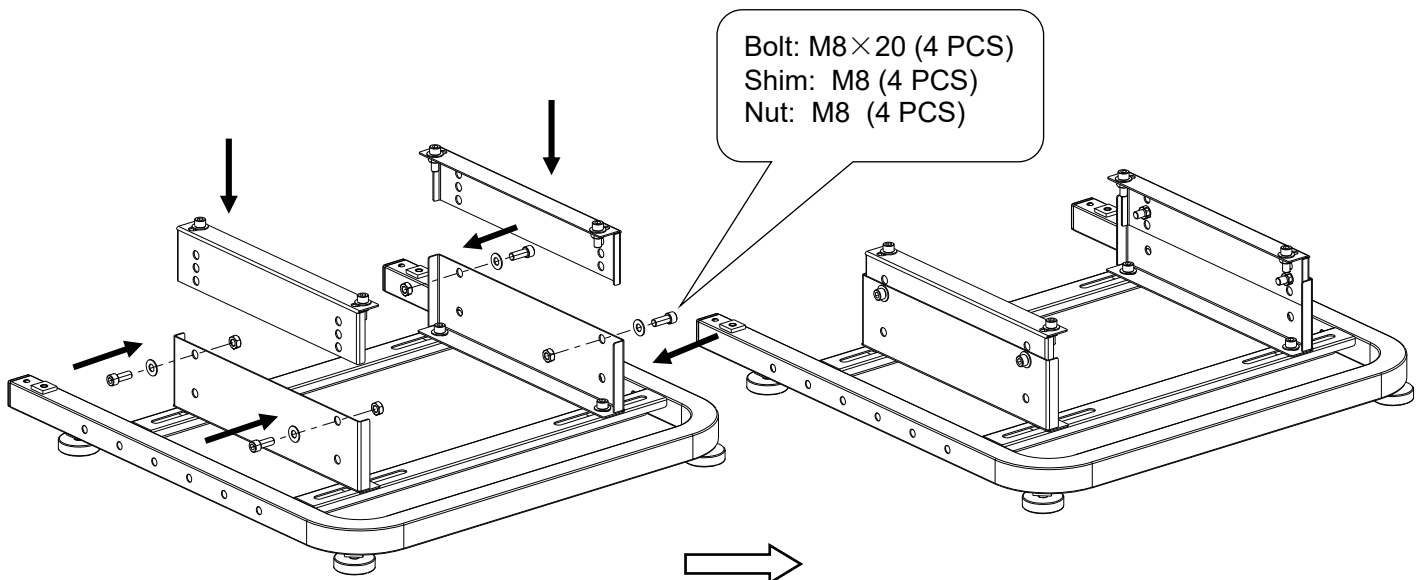


Racing Simulator Stand

7. Assemble the seat mounting stand with 4 pieces of the bolt (M8×20) 、 4 pieces of the shim (M8) and 4 pieces of the Square Nut (M8 ×25×25×5)

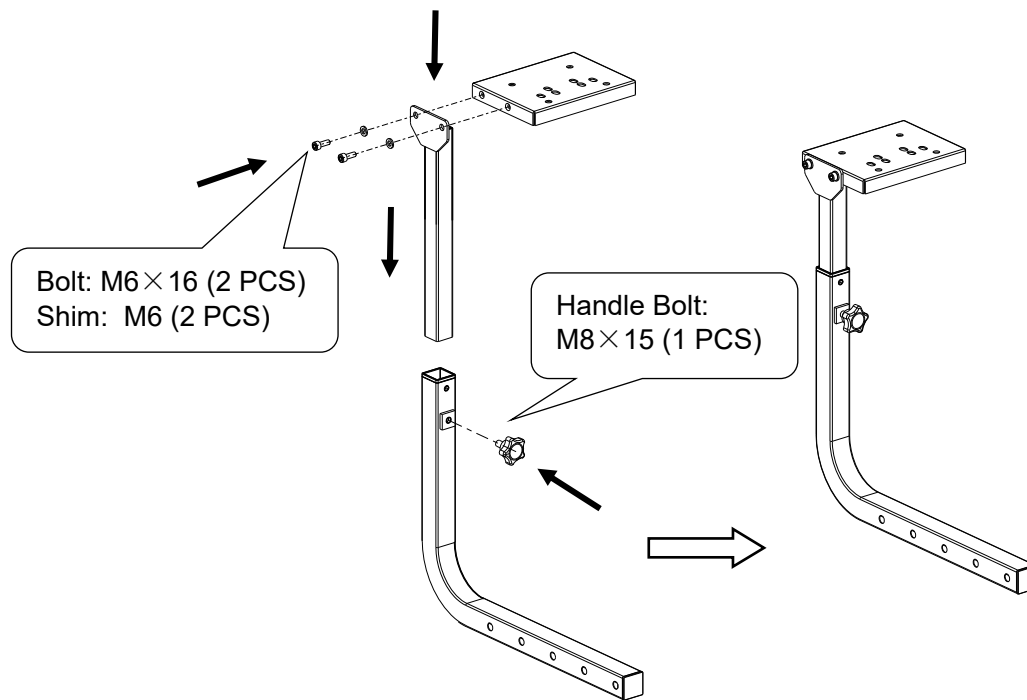


8. Assemble the seat adjustment stand with 4 pieces of the bolt (M8×20) 、 4 pieces of the shim (M8) and 4 pieces of the nut (M8)

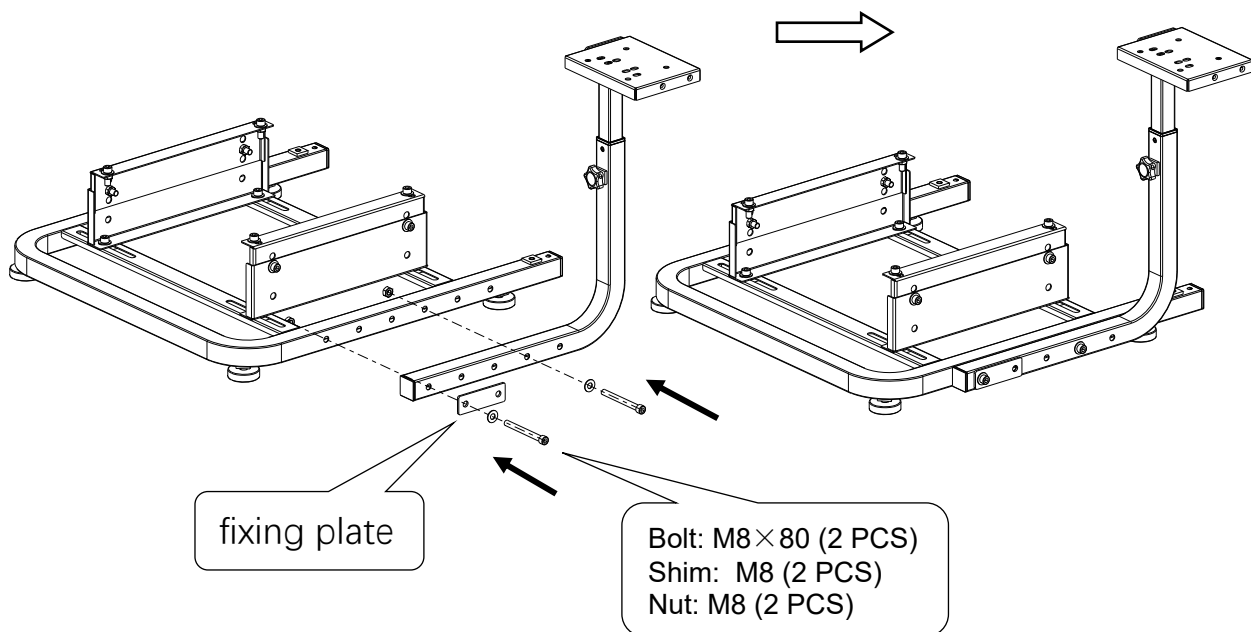


Racing Simulator Stand

9. Assemble the gear mounting stand with 2 pieces of the bolt (M6×16)、 2 pieces of the shim (M6) and 1 pieces of the Handle Bolt (M8×15)



- 10 Assemble the elbow fixing stand and fixing plate on the left or right as your like to the Seat stand with 2 pieces of the bolt (M8×80)、 2 pieces of the shim (M8) and 2 pieces of the nut (M8)



Racing Simulator Stand

- 11 Connect the frontpart stand and the afterpart stand with 4 pieces of the Handle Bolt (M8×15)

