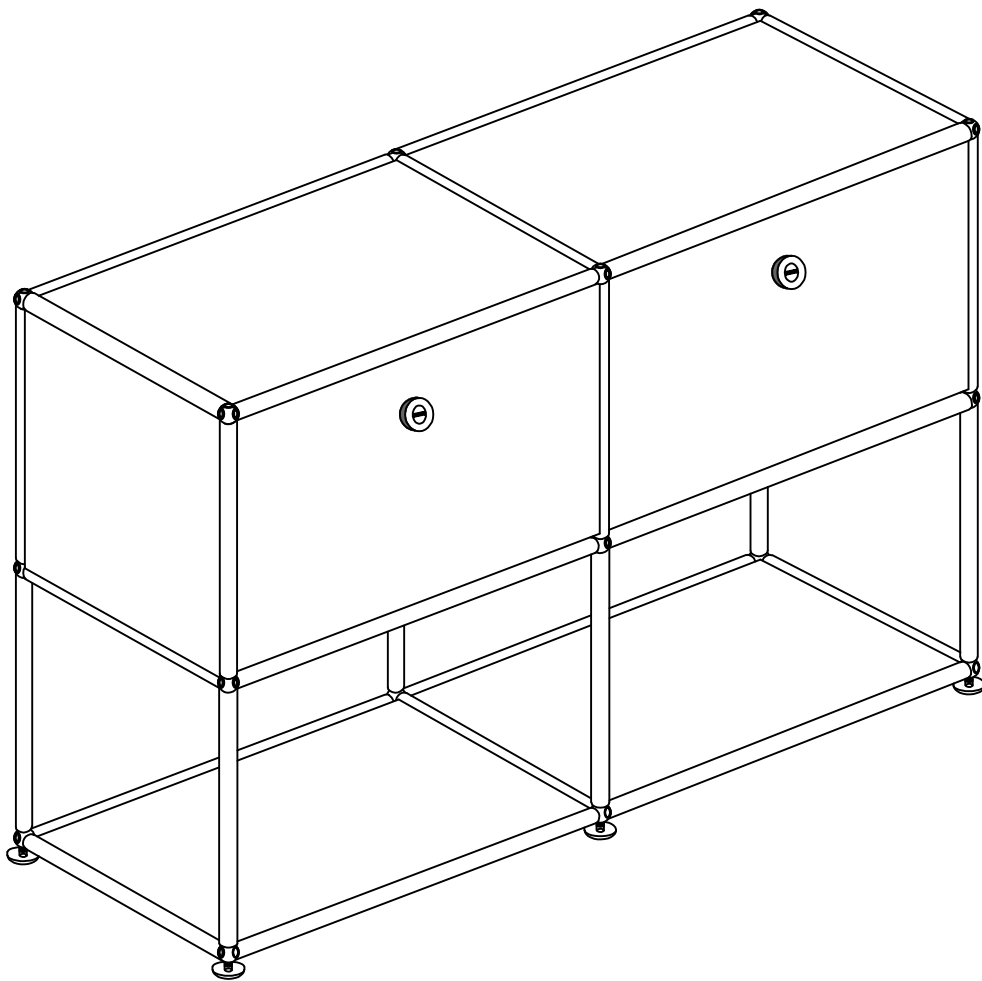


Storage Cabinet

'LYM02'



Dear Customer,

On behalf of our team, we would like to thank you for your continued trust and support.

We are pleased to serve you and provide you with our products. If you have any questions, please feel free to contact us and we will respond within 24 hours.

 **sale_services@outlook.com**

Mail Format:-----

Platform:

Order ID:

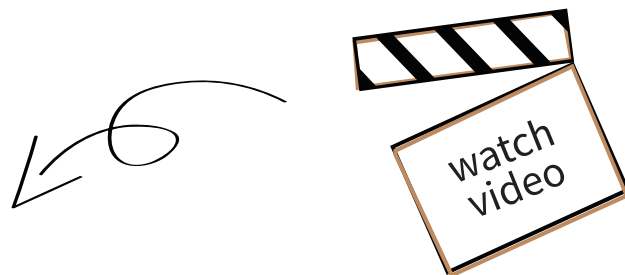
Reason:

Images:

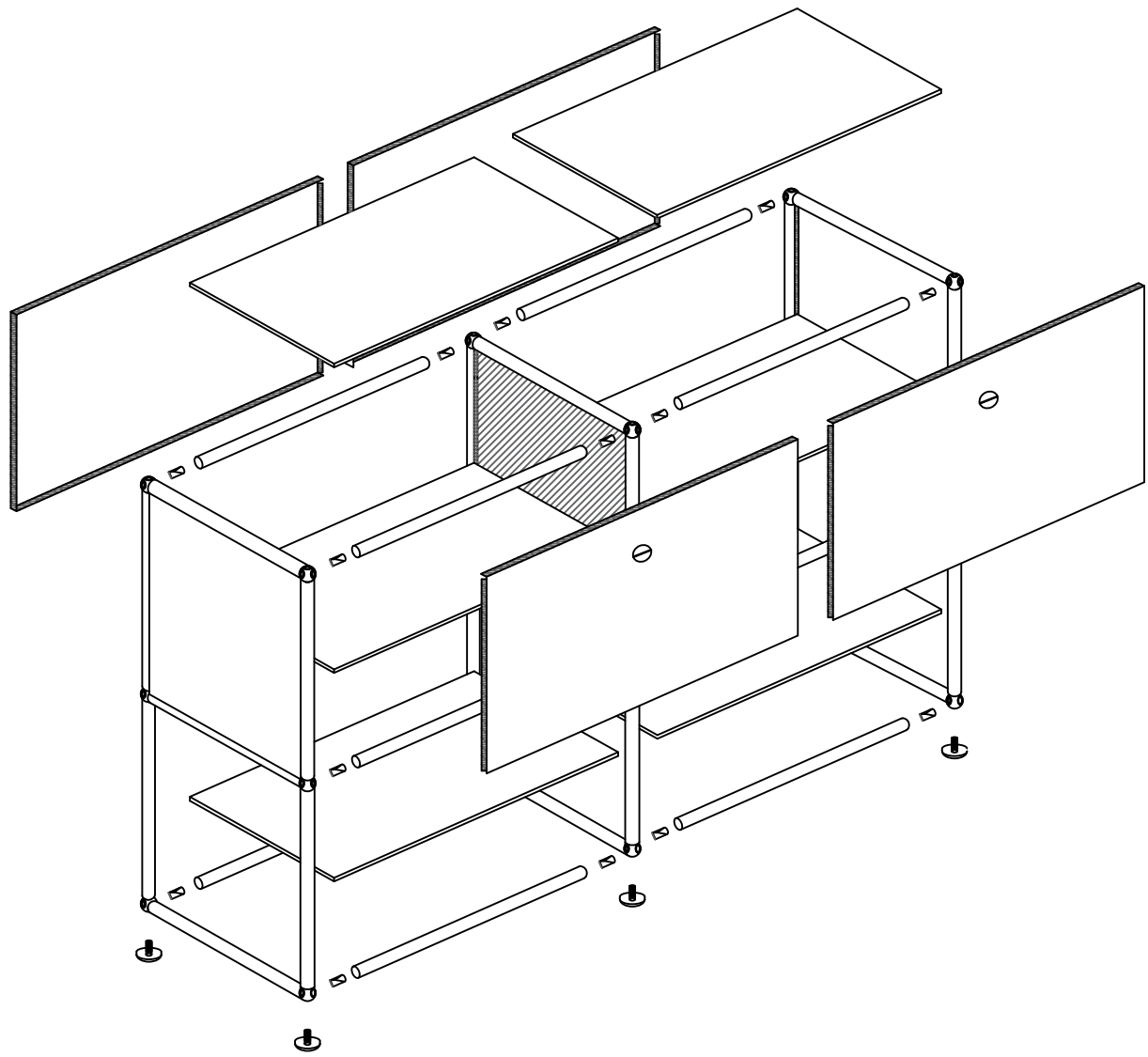
Image

Image

Image

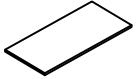
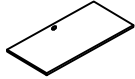


Scan this QR code to watch our product assembly video

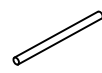
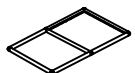
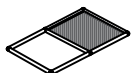


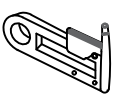


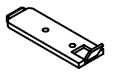
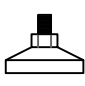
Installation Instructions

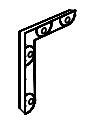


Modular metal cabinet





A1	B1							
								
750*350 x8	750*350 x2							




Tips: The panel is made of two pieces buckled together. Please separate them and tear off the protective film on the four corners before installation.

C1	C2	C3						
								
750 x12	700*350 x2	700*350 x1						

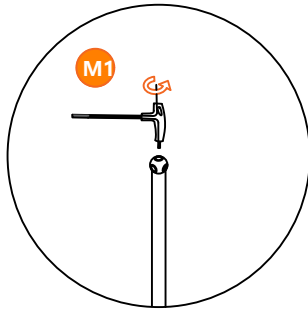
D	E	F	G	H				
								
Gate hinges x4	Expansion bolts x24	Coin lock x2	Lock Box x2	Floor mats x6				

I	J	K						
								
Alloy corner code x3	Plastic corner spacers x4	Semicircular cover x9						

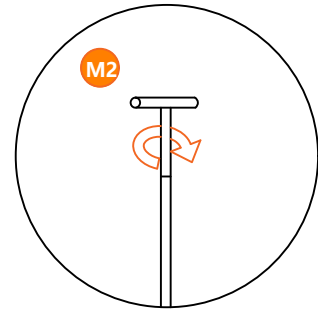
L1	L2	L3	L4					
								
M4x25 x12	M4x14 x4	M3x25 x4	M4x8 x24					

M1	M2	M3						
								
Small exclusive tools x1	Big exclusive tool x1	Phillips screwdriver x1						

Advance reminder: There are two dedicated tools with different usage methods during the installation process

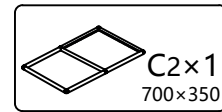


Insert M1 into the middle of the ball and rotate it **counterclockwise**

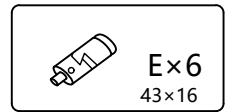


Insert M2 into the tube and rotate it **clockwise**

1

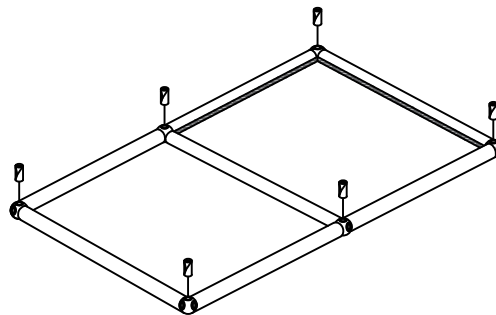
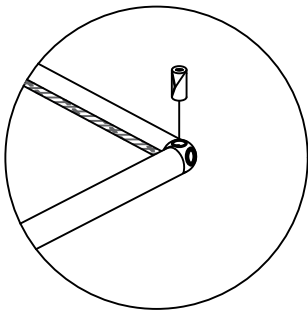


C2x1
700x350

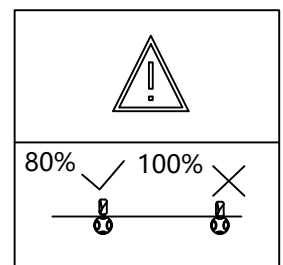


Ex6
43x16

C2 frame back

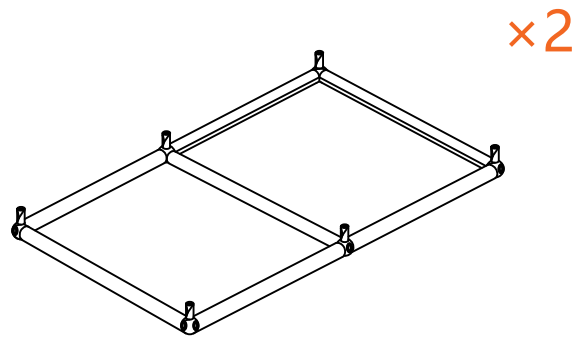


Do not lock the expansion bolt "E"



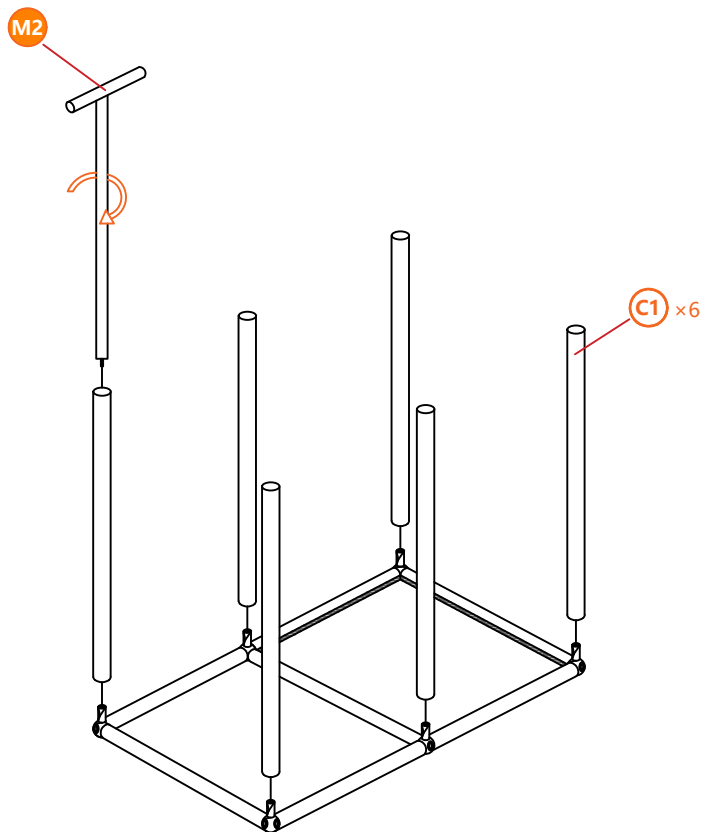
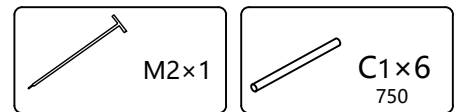
You need to connect E and C2 together. Note that E rotates clockwise. The C2 board is already installed, so you must distinguish the front and back of C2 when installing.

2



Then you get a status like this

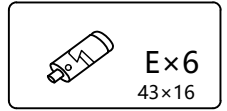
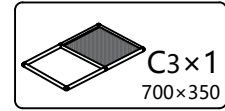
3



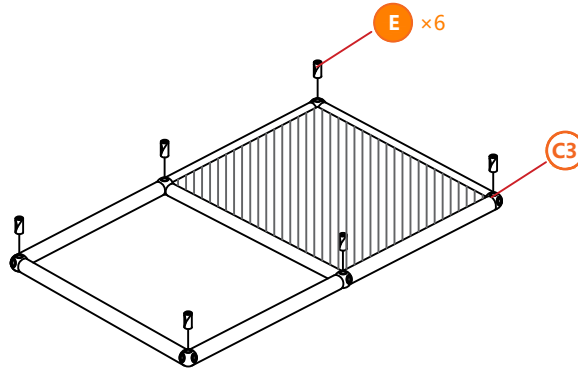
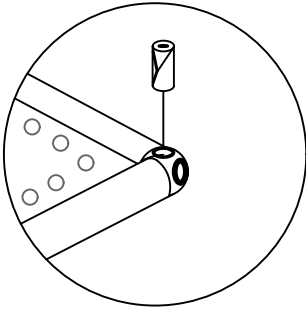
Attention: The rod and the panel on which it is mounted should be perpendicular to each other at a 90° angle and the rods to be mounted should also be parallel to each other.

Install C1 using M2 tool, six in total (**clockwise** rotation) in English

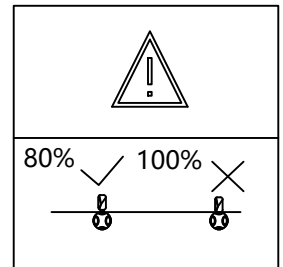
4



C3 perforated plate front

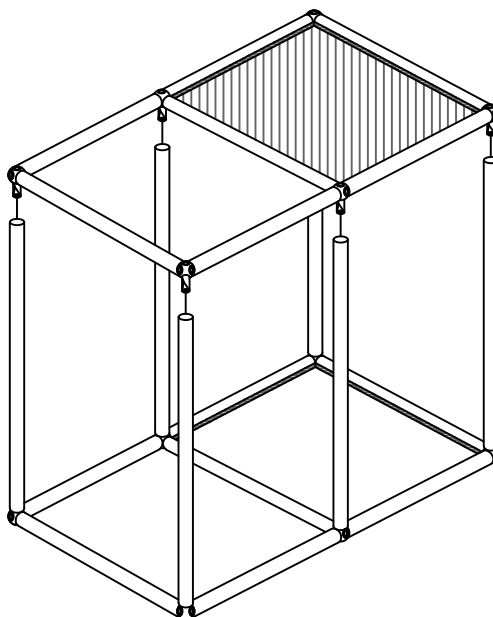
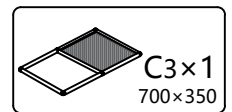


Do not lock the expansion bolt "E"



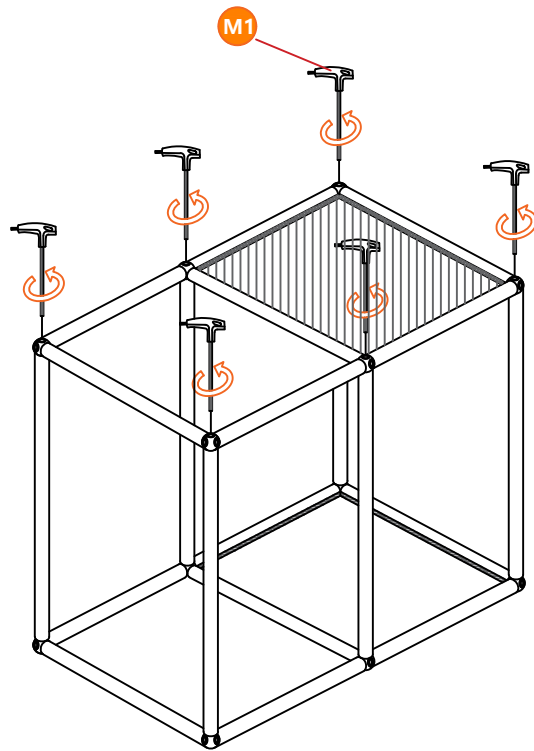
You can manually rotate E in a clockwise direction (be careful not to tighten it too much)

5



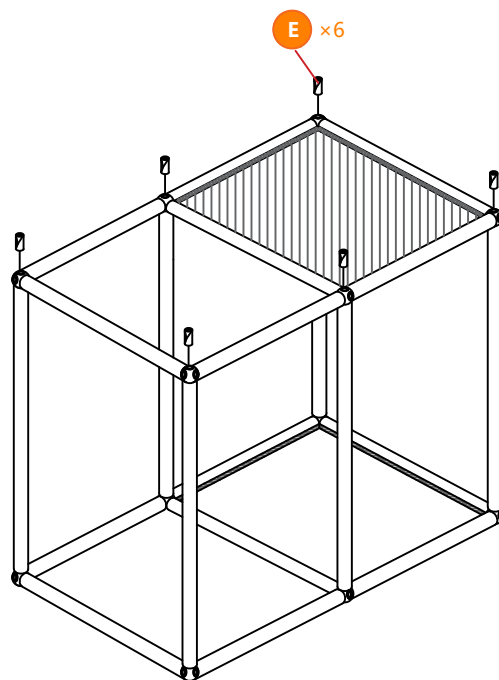
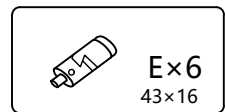
Assemble the frame and snap it onto the C1 tube

6

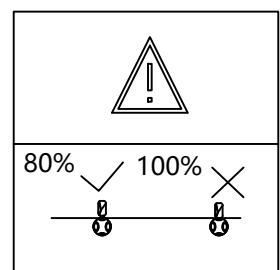


After securing the frame with M1
(counterclockwise)

7

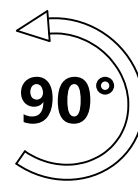
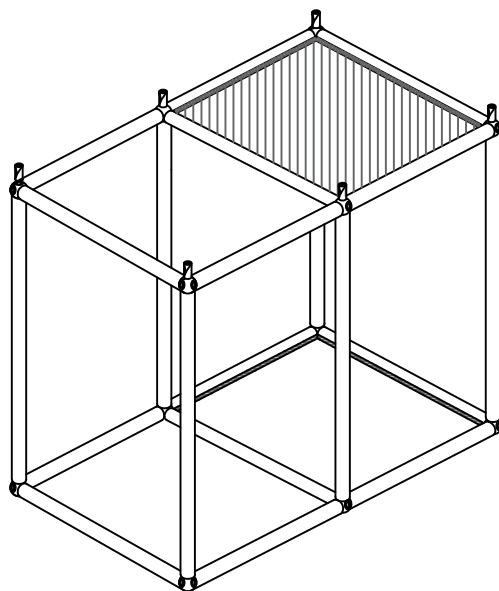


Do not lock the expansion
bolt "E"



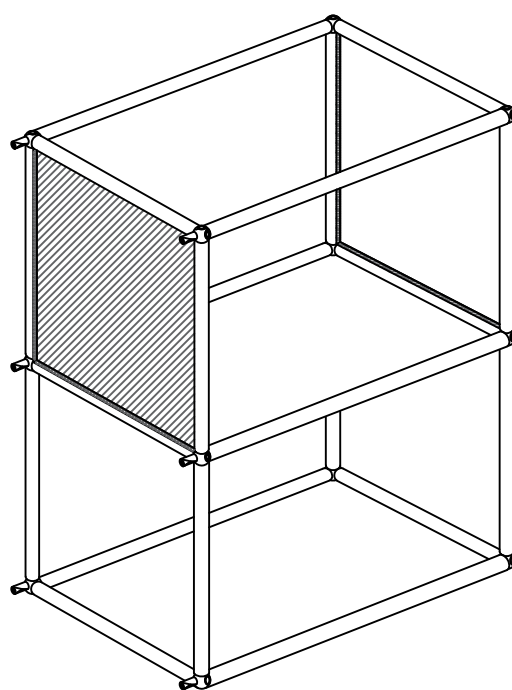
You can manually rotate E in a clockwise direction (be careful not to tighten it too much)

8



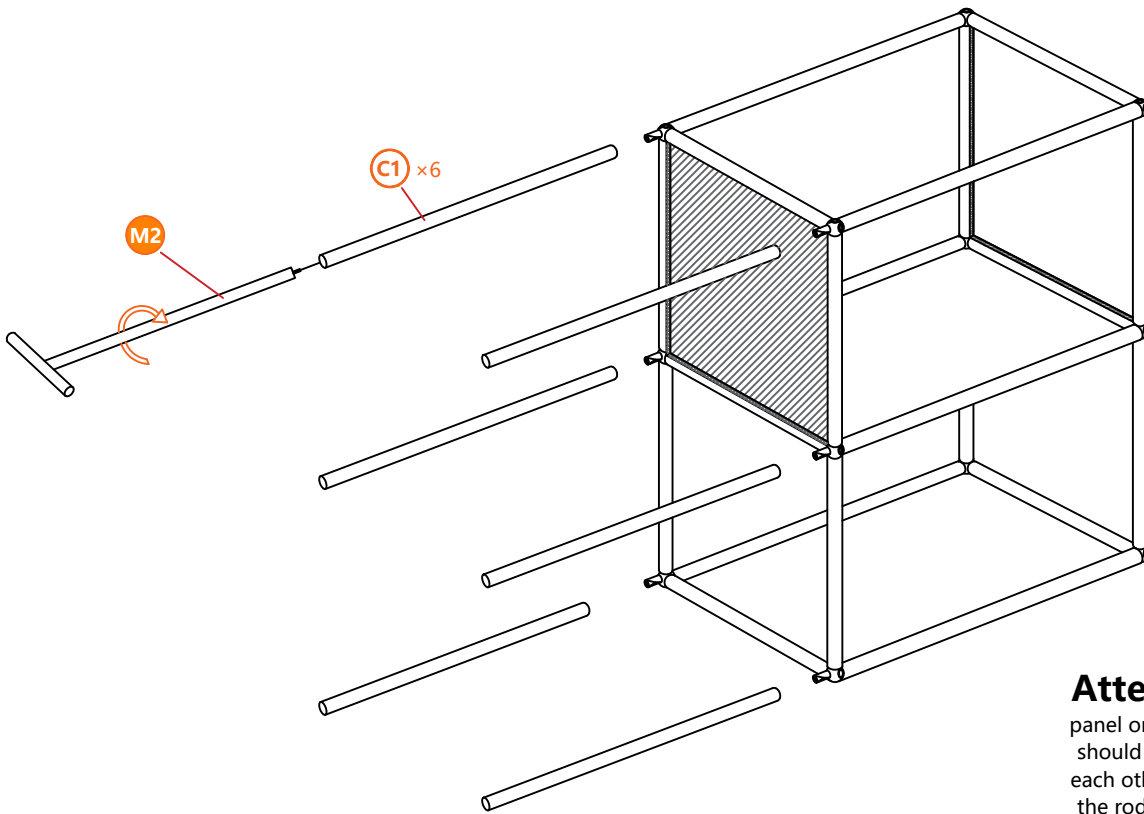
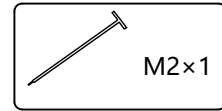
please rotate the frame 90° to the left.

9



Then you get a status like this

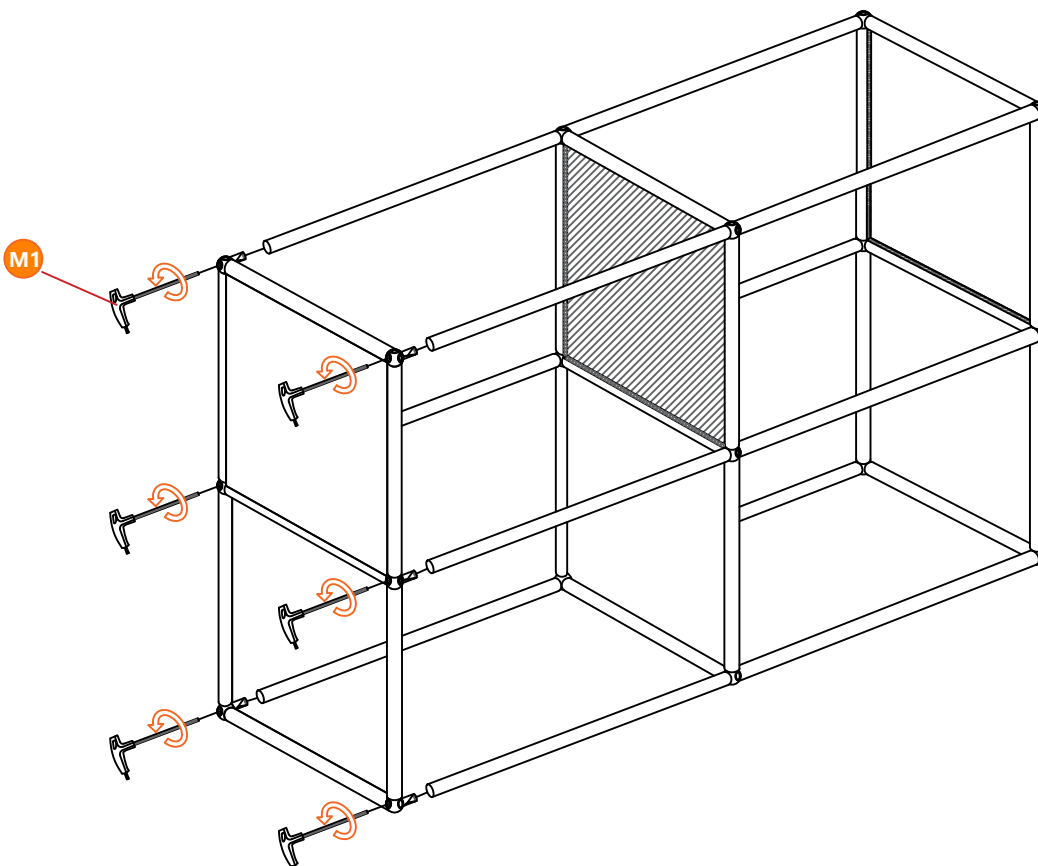
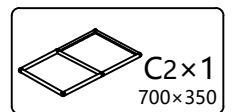
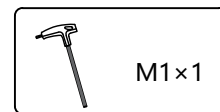
10



Using M2 tool to install C1, six in total (rotate **clockwise**)

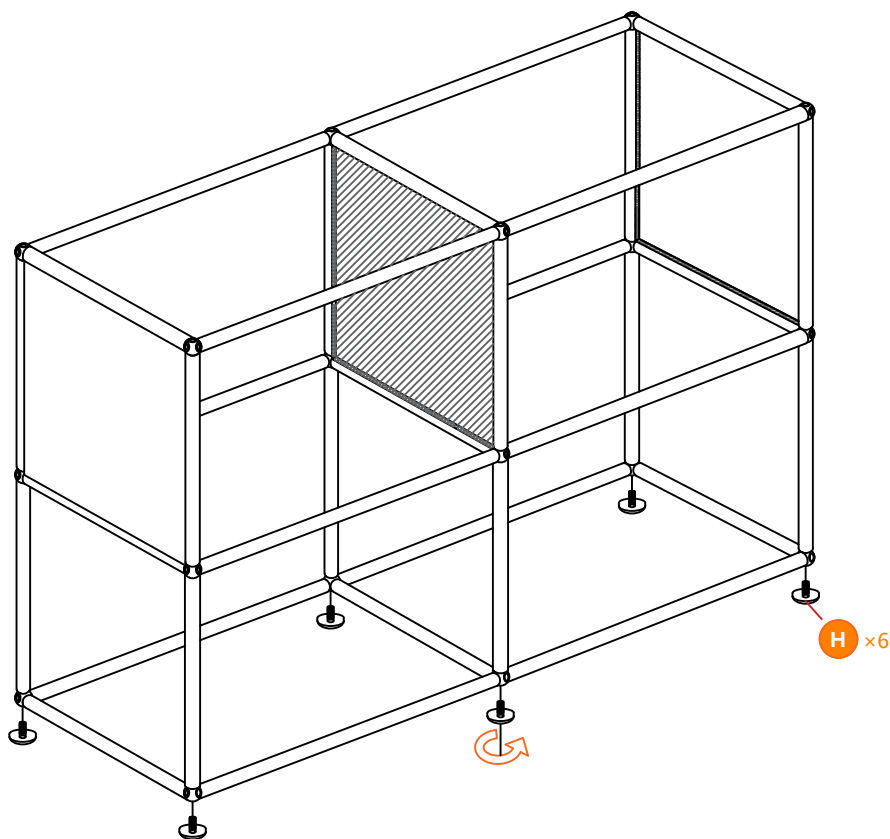
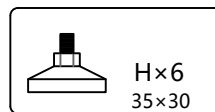
Attention: The rod and the panel on which it is mounted should be perpendicular to each other at a 90° angle and the rods to be mounted should also be parallel to each other.

11



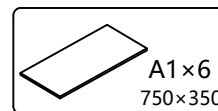
Use the M1 tool to proceed to the next step of installation (**counterclockwise**)

12



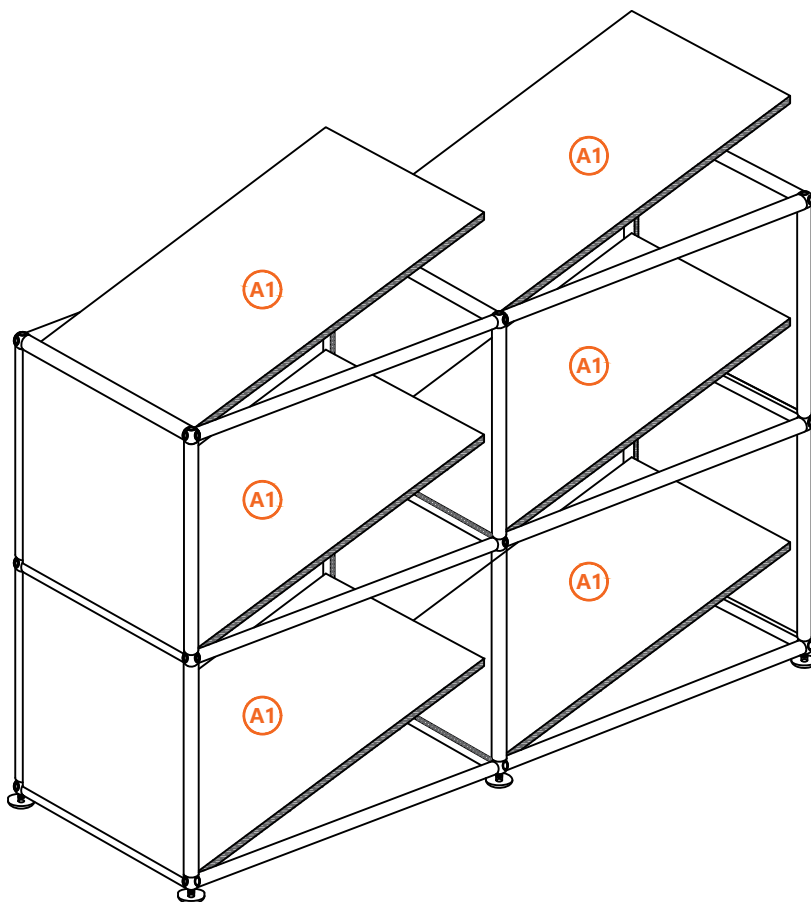
The foot pad H can be installed by manual rotation (**counterclockwise**)

13 Installing Shelves



Attention:

When installing the board .it is best to put a soft pad under the place where it is to be installed to prevent the board from falling out of your hand and damaging the panel below.

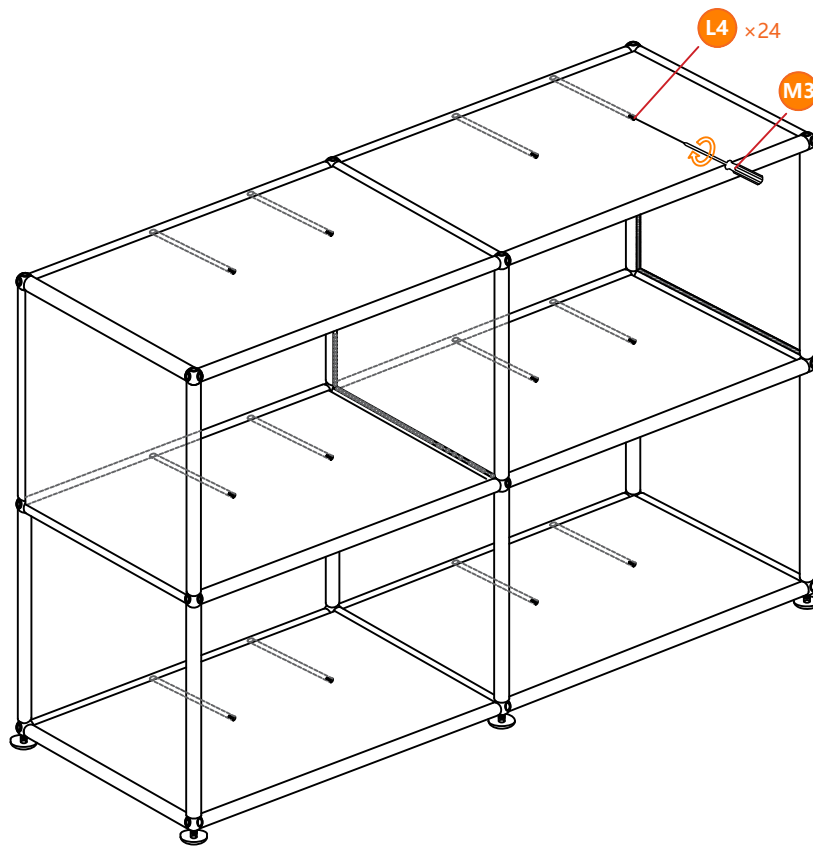


Hold the A1 panel horizontally, push down the two adjacent corners first, and then install the other two corners one by one.

14

 L4×24
M4×8


 M3×1

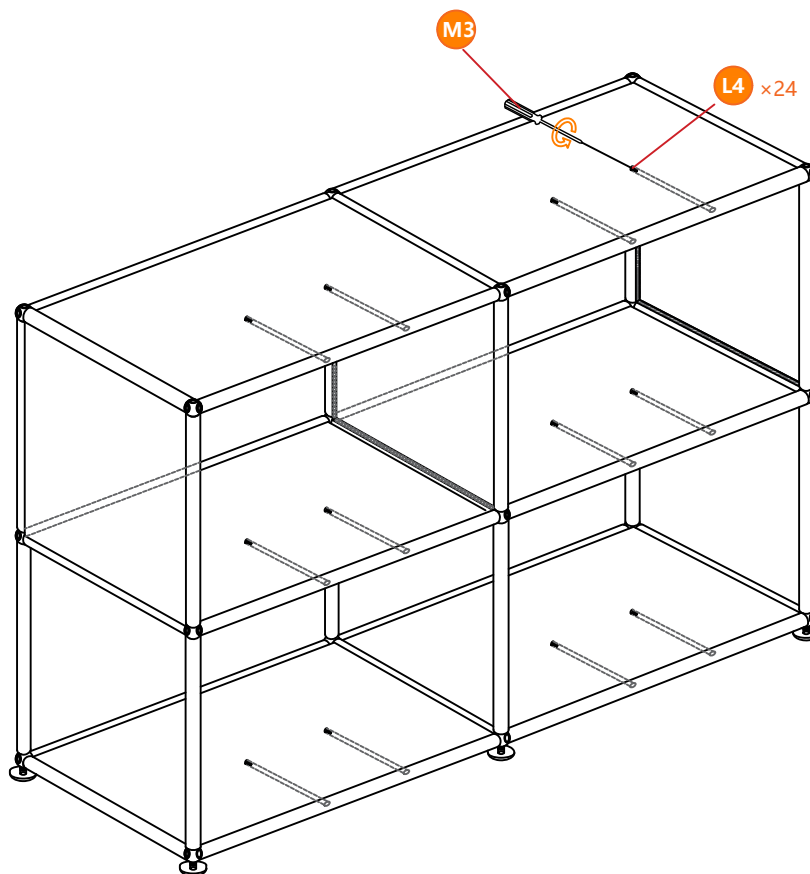


Drill M4×8 screws into the board sequentially as shown (rotating clockwise)

15

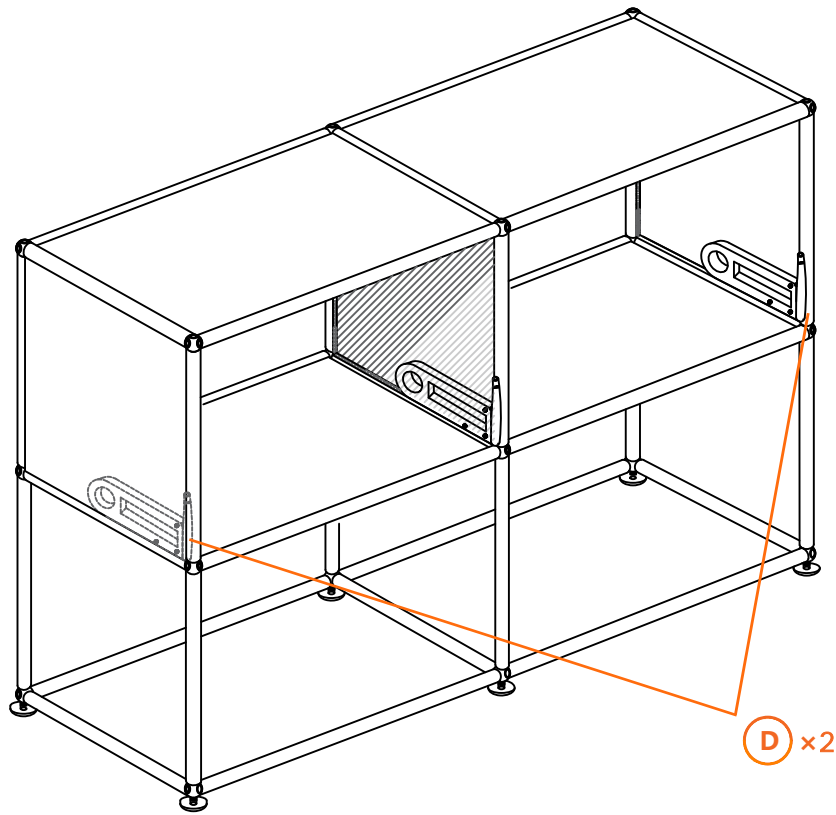
 L4×24
M4×8

 M3×1



Drill M4×8 screws sequentially into the board (rotating clockwise) as shown in the figure

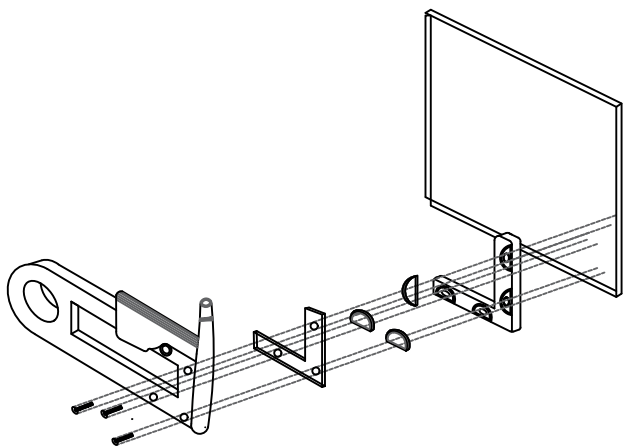
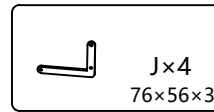
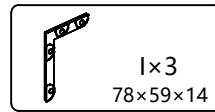
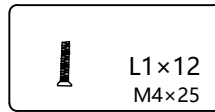
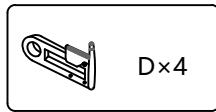
16



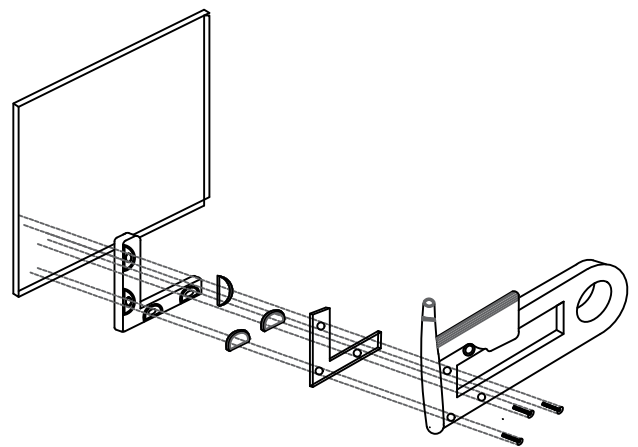
Attention:

Please be sure to read the hinge installation steps completely first.

17

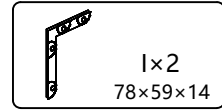


Place the accessories in the order of the guide lines (on the **right**)

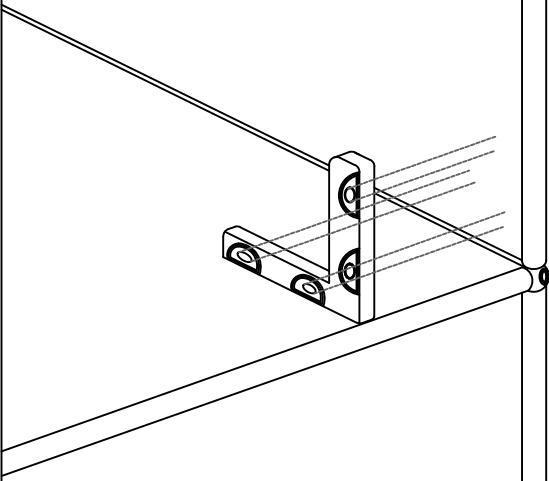


Place the accessories in the order of the guide lines (**left** side)

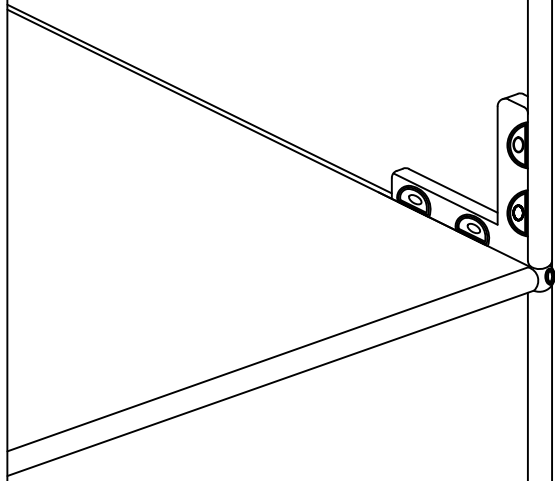
Installation diagram:



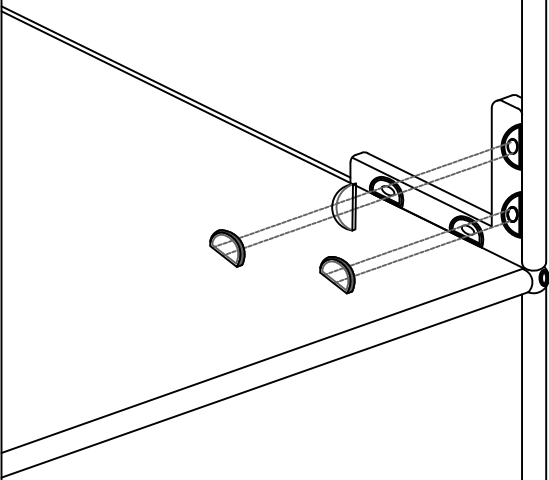
(1)



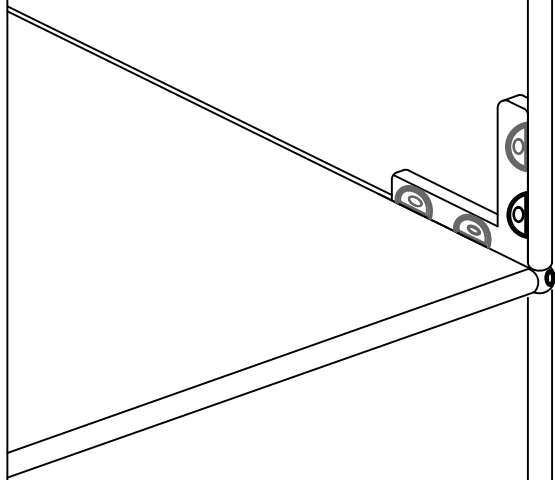
(2)



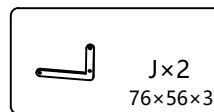
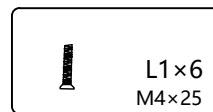
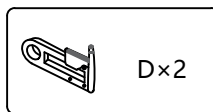
(3)



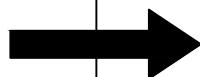
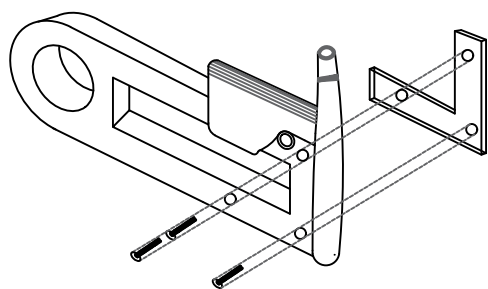
(4)



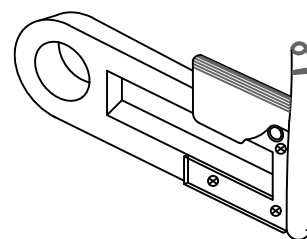
Installation diagram:



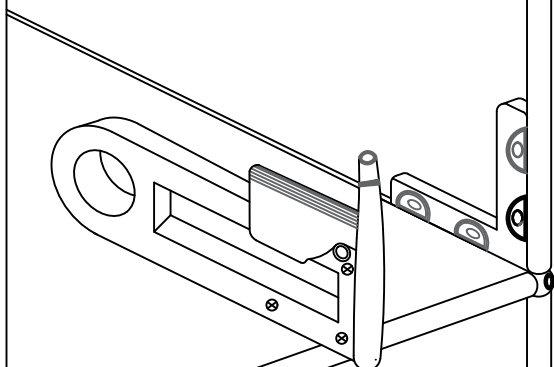
(5)



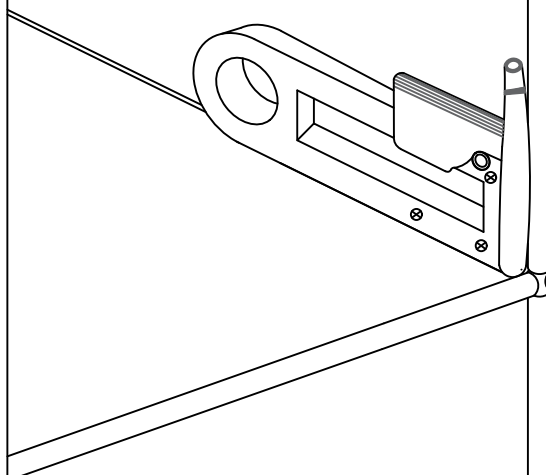
(6)



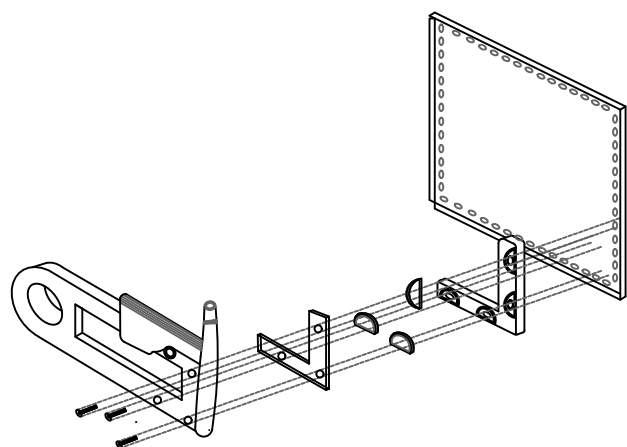
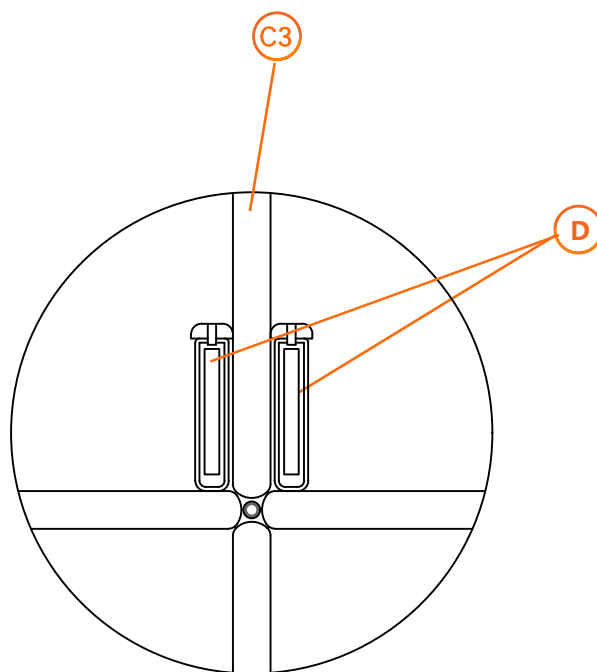
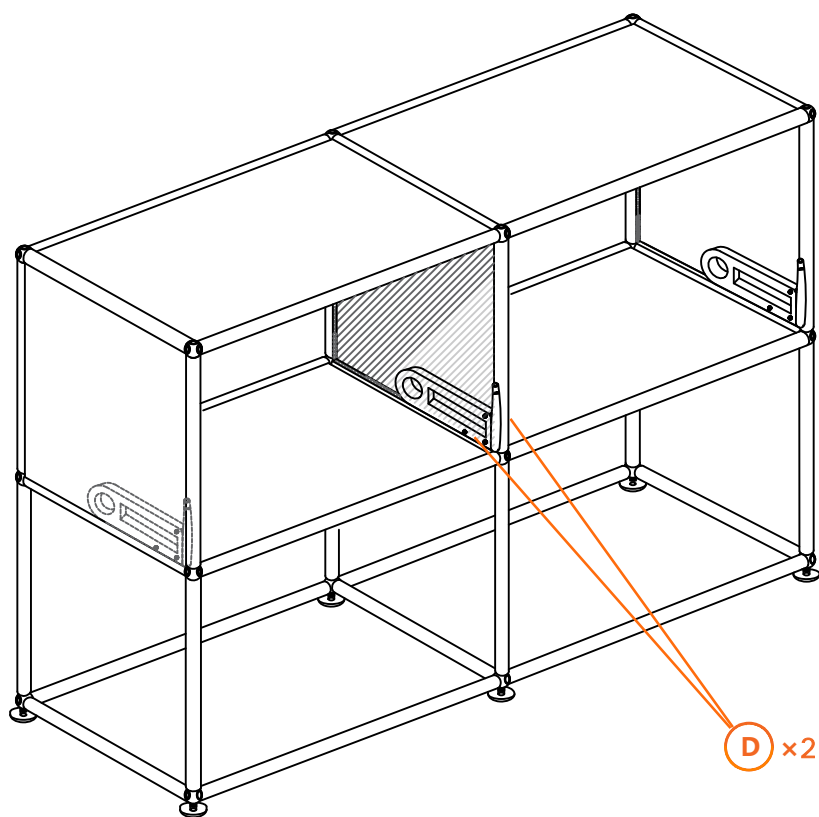
(7)



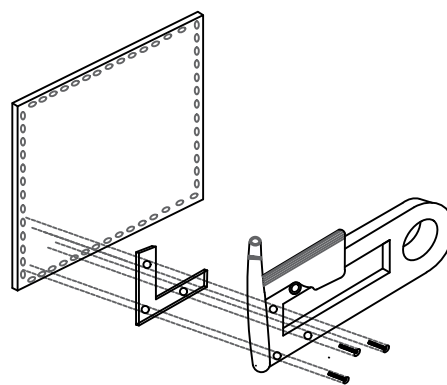
(8)



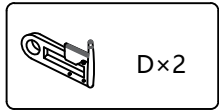
Installation steps for perforated plate (C3) hinge (D)



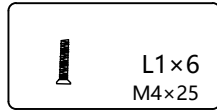
Place the accessories in the order of the guide lines
(on the left)



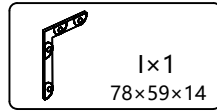
Place the accessories in the order of the guide lines
(right side)



D x 2



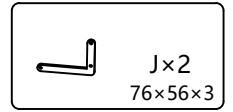
L1 x 6
M4 x 25



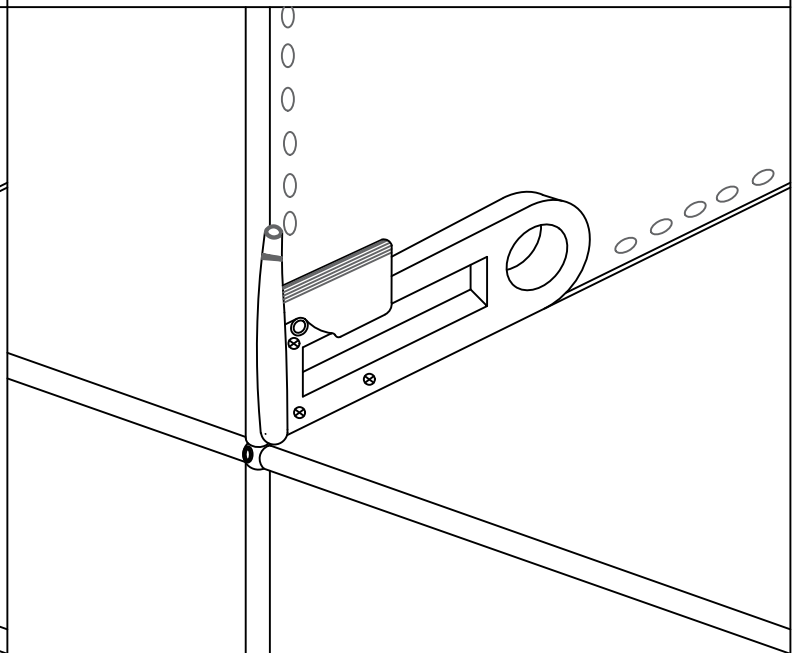
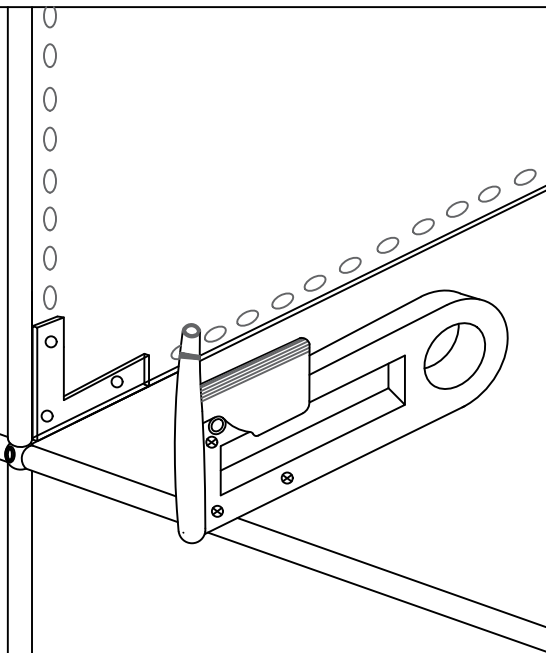
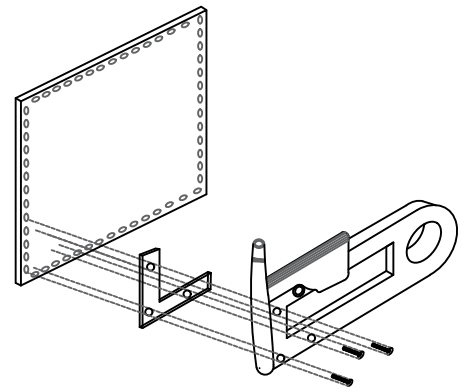
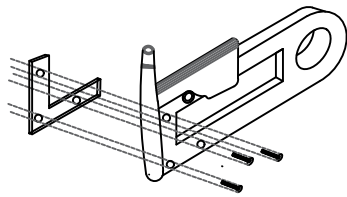
I x 1
78 x 59 x 14



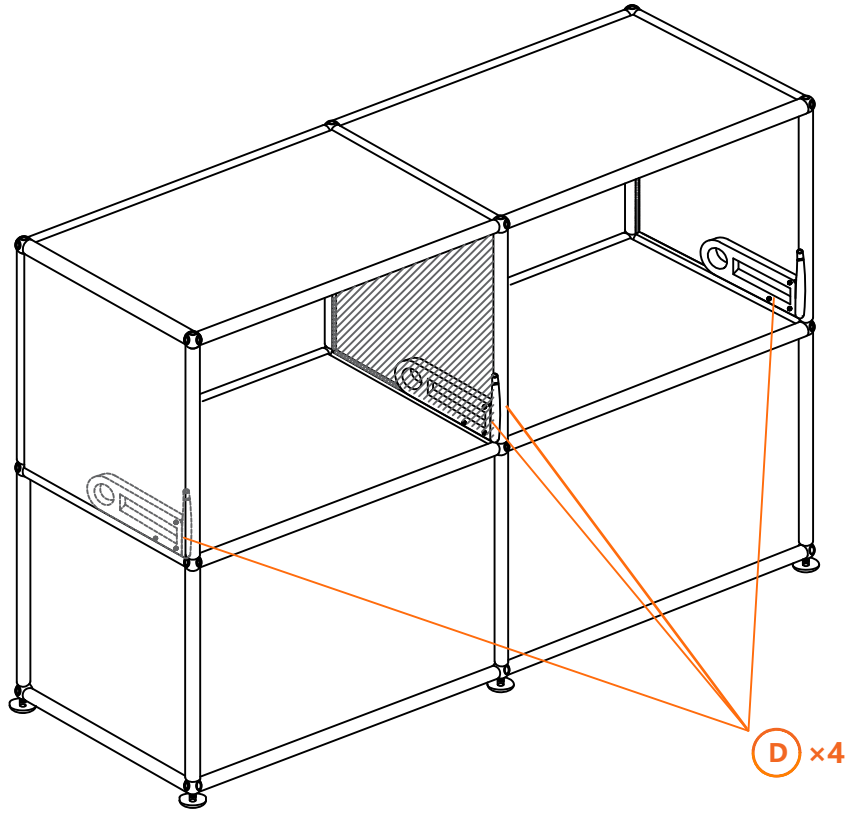
K x 3
20 x 13



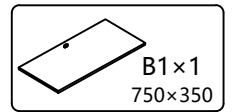
J x 2
76 x 56 x 3



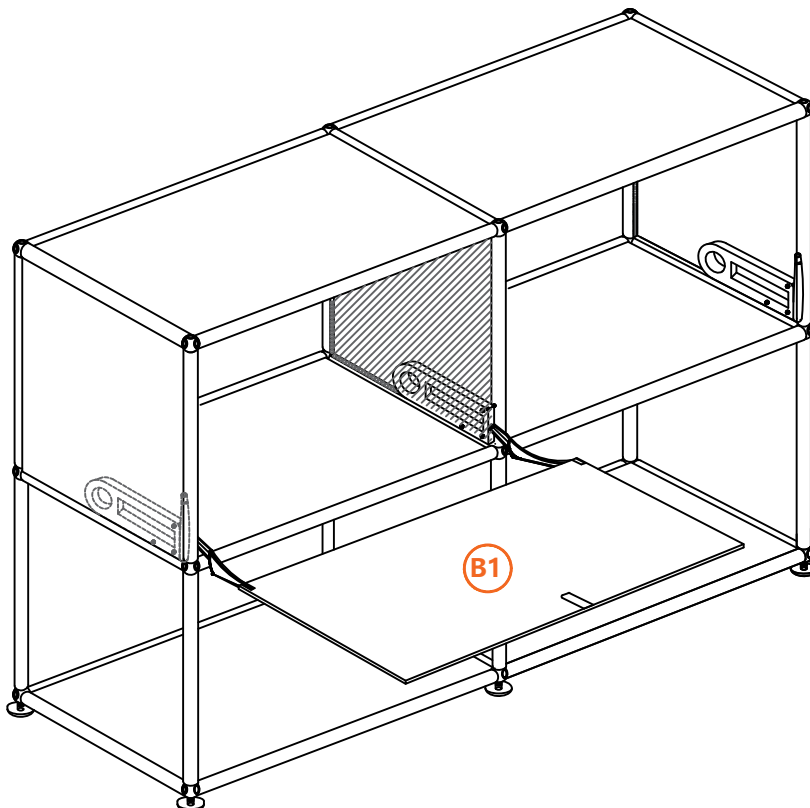
18



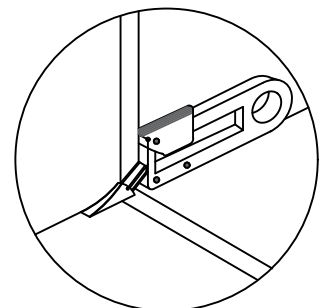
Then you get a status like this



19

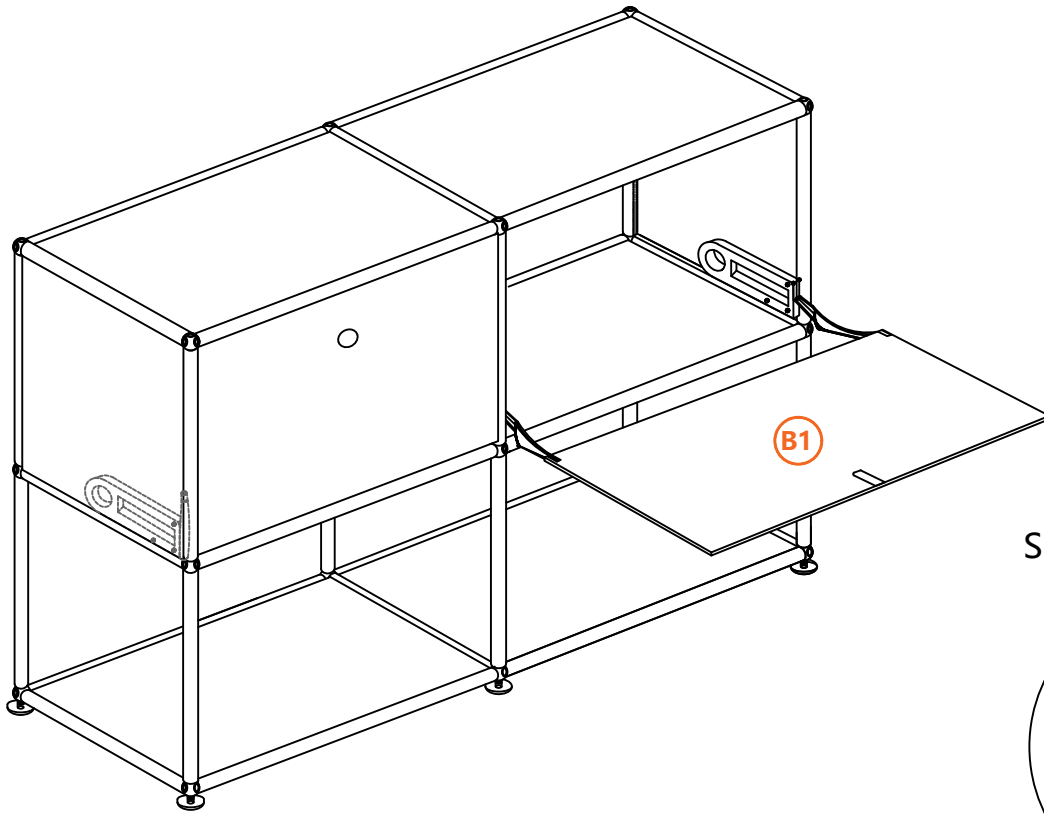
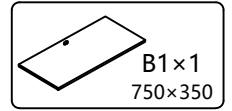


Schematic diagram

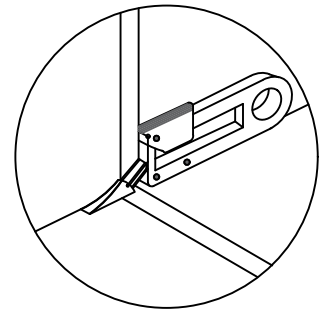


Align the door panel groove and insert the hinge arm

20

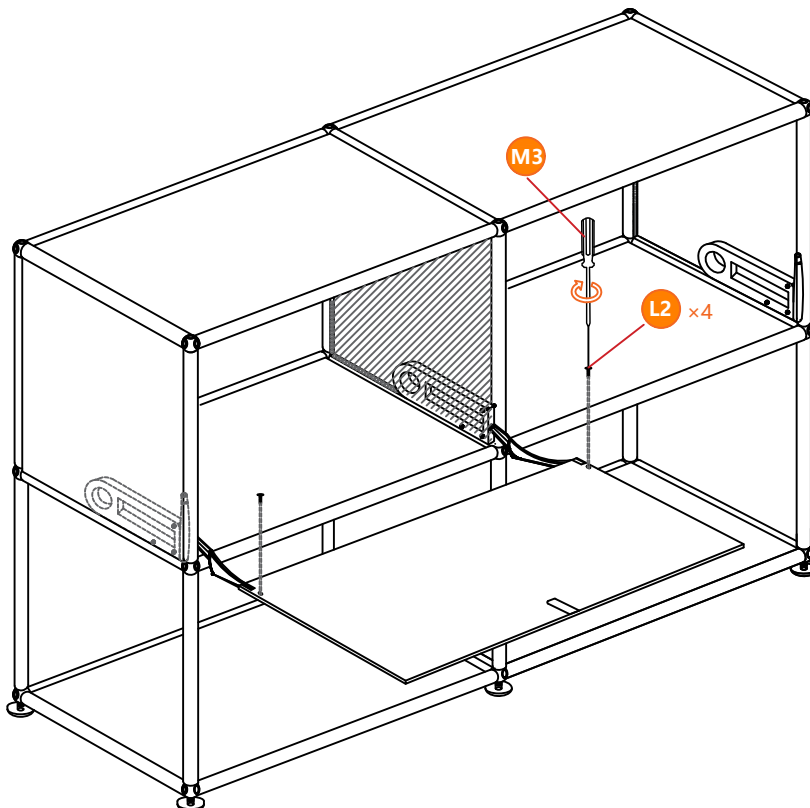
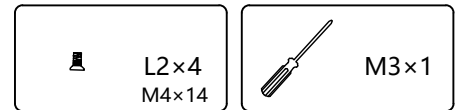


Schematic diagram



Align the door panel groove and insert the hinge arm

21

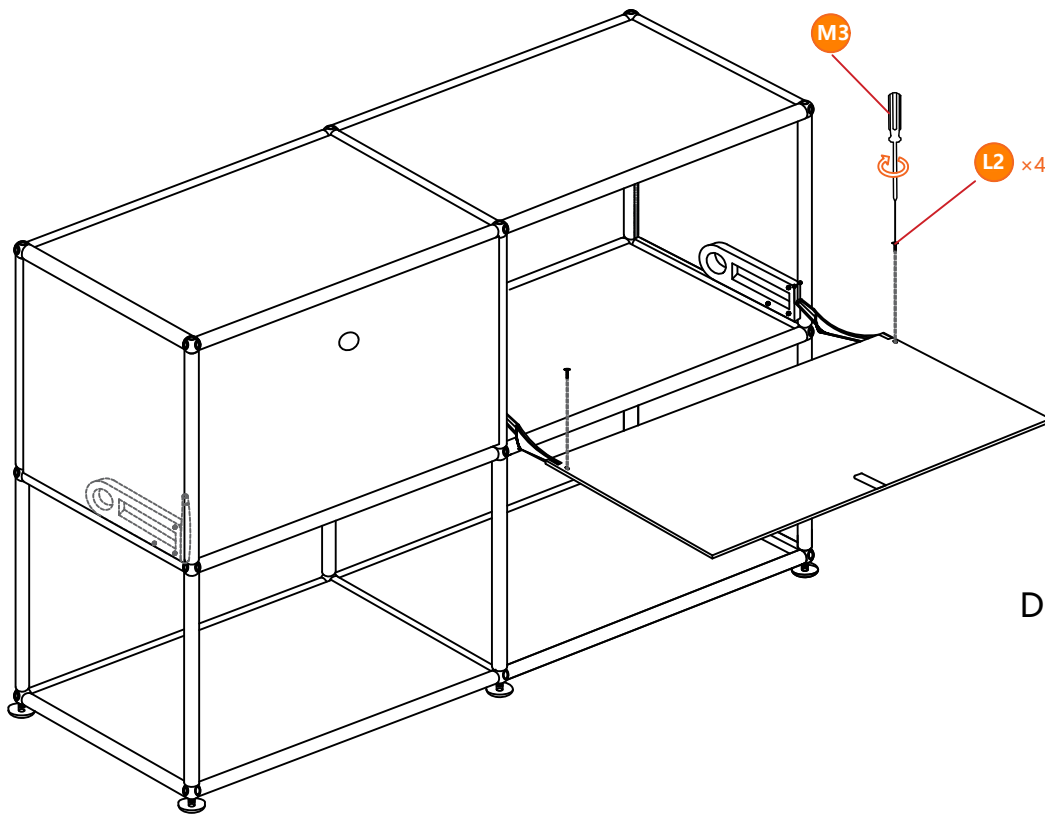


Fix with screw L2, do not use too much force on the screw (clockwise)

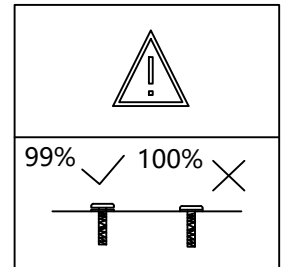
22

L2×4
M4×14

M3×1

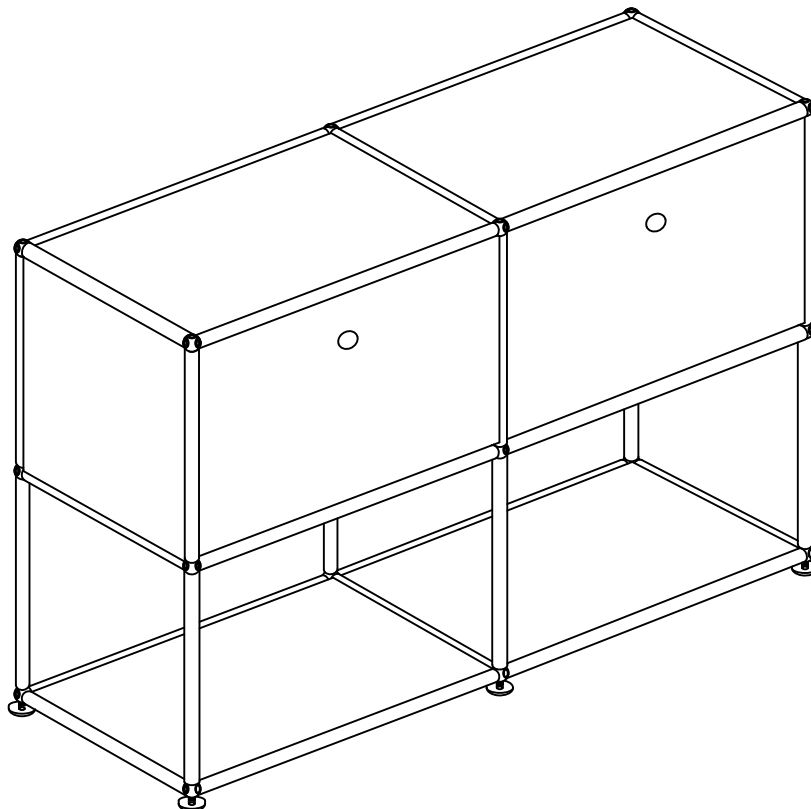


Do not lock the screws

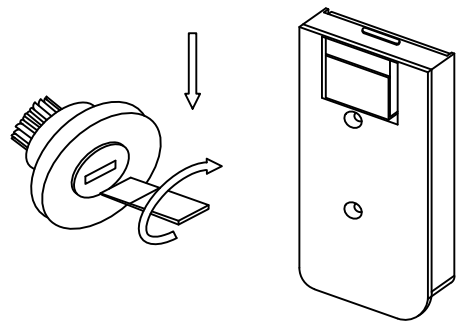
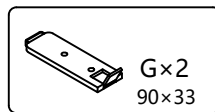
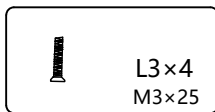
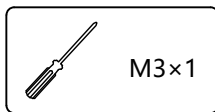


Fix with screw L2, do not use too much force on the screw (clockwise)

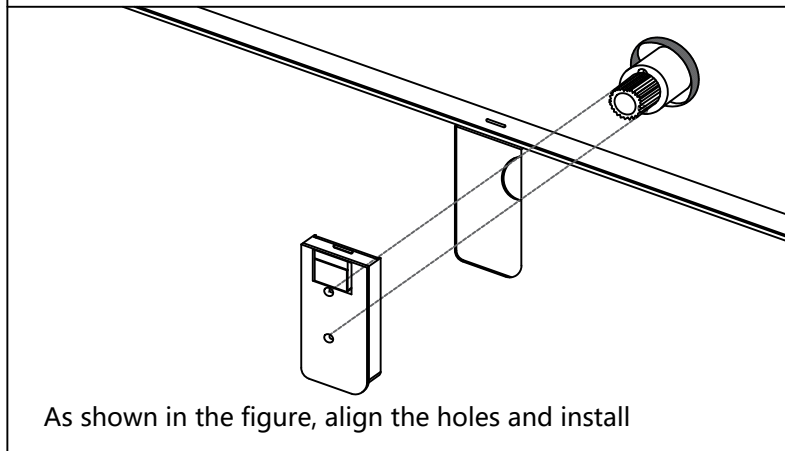
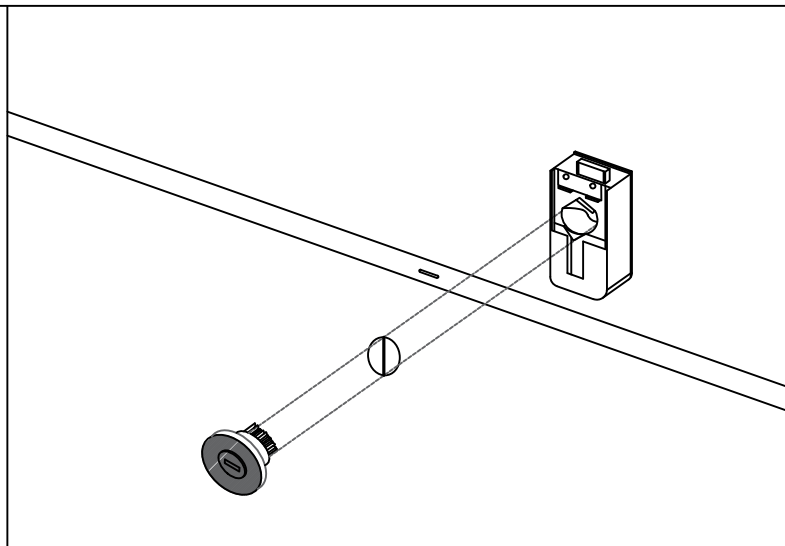
23



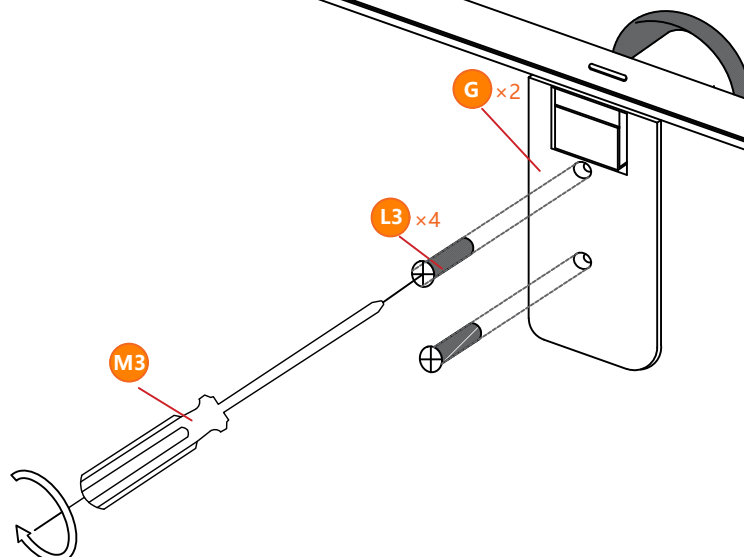
Then you get a status like this



Insert a coin or something similar to a coin into the keyhole and turn it to the right before installing the door lock.



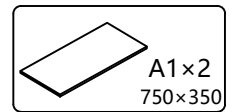
As shown in the figure, align the holes and install



Use M3*25 screws to fix it and install it 3 times in sequence

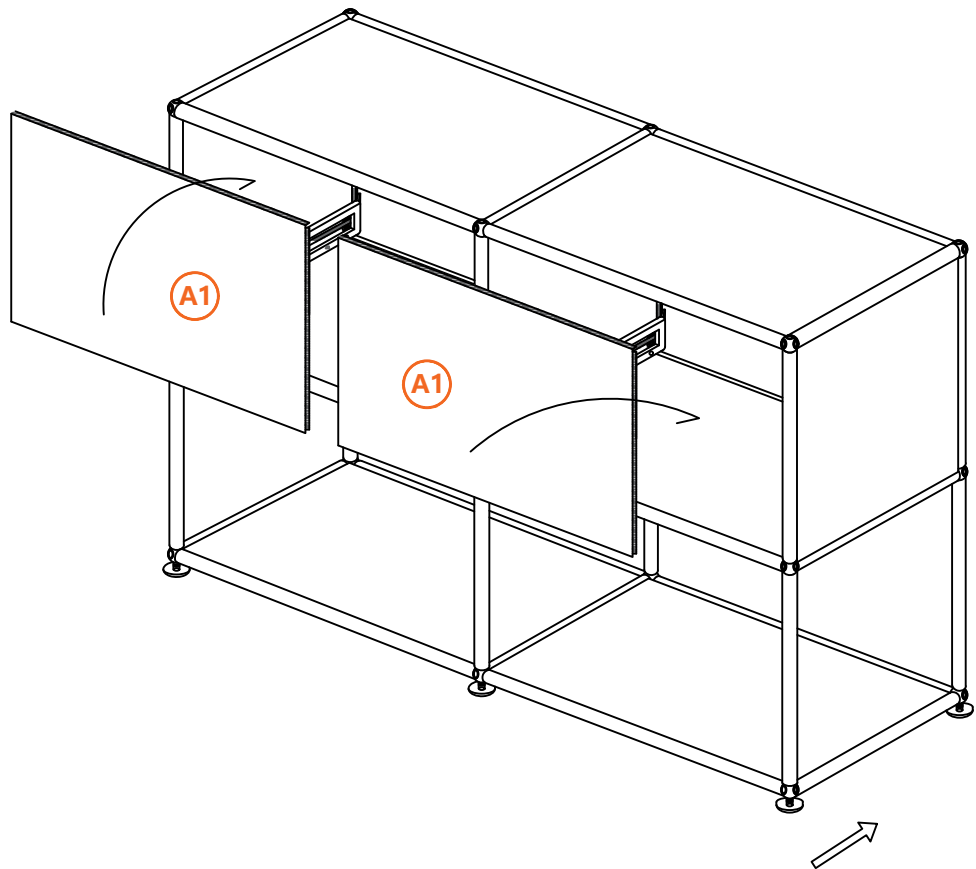
25

Install the back panel



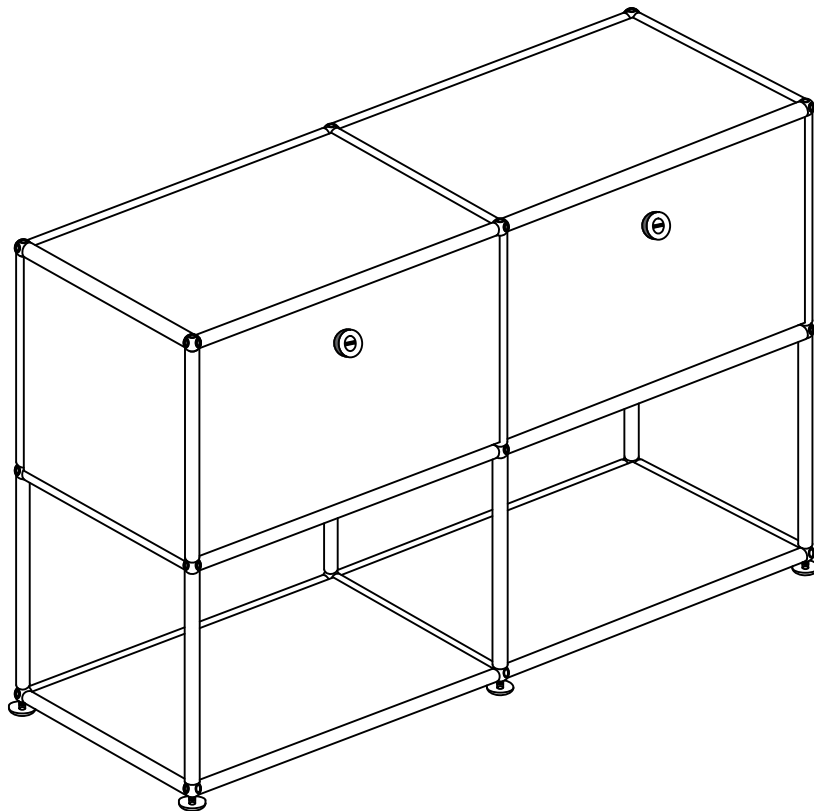
Attention:

When installing the board, it is best to put a soft pad under the place where it is to be installed to prevent the board from falling out of your hand and damaging the panel below.



Hold panel A1 horizontally and push down the two adjacent corners first, then install the other two corners one by one.

26



Then you get a status like this