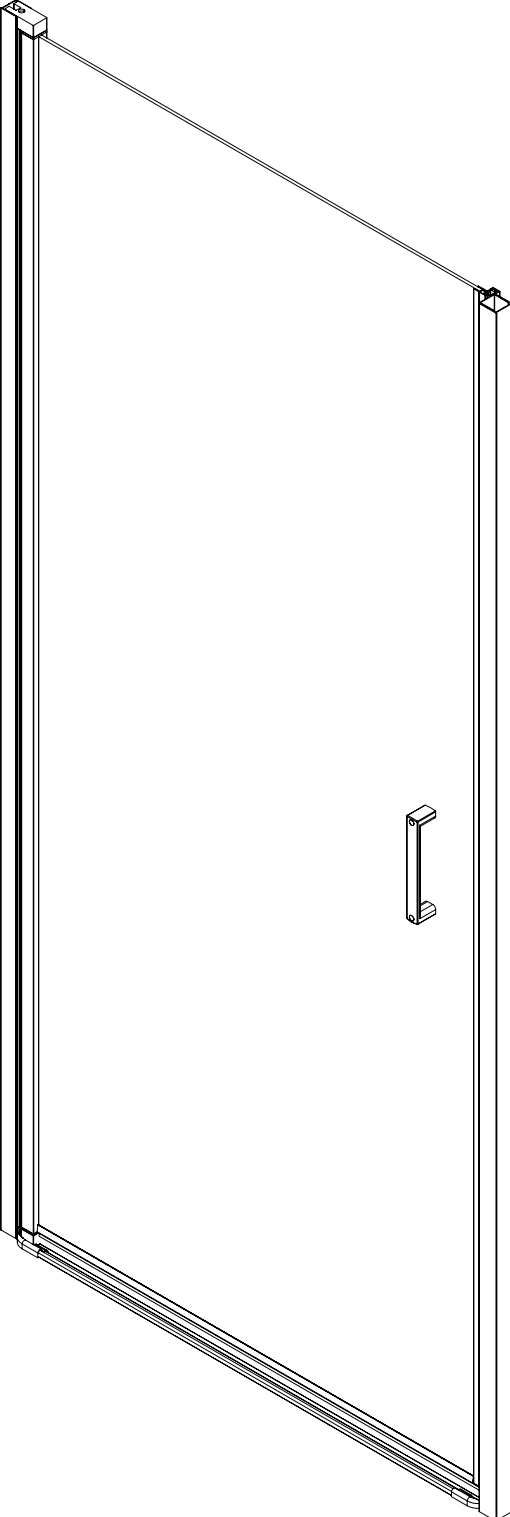
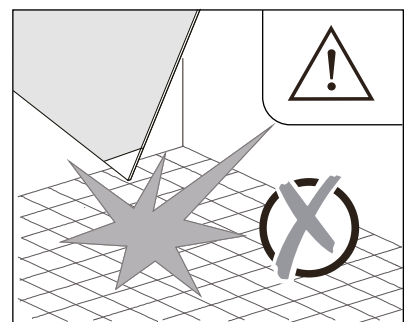
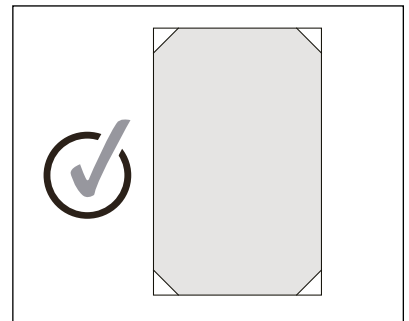
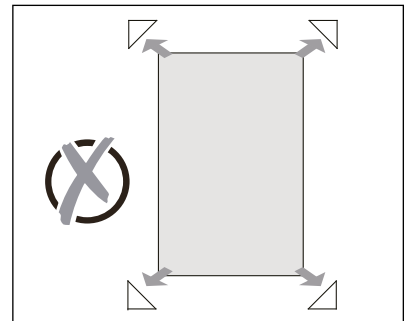
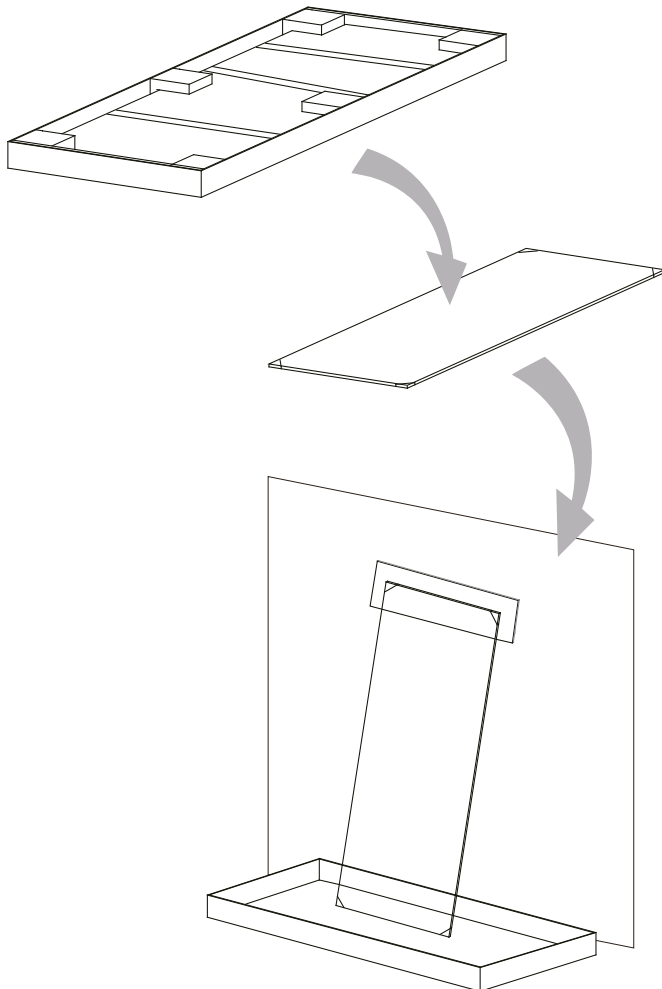
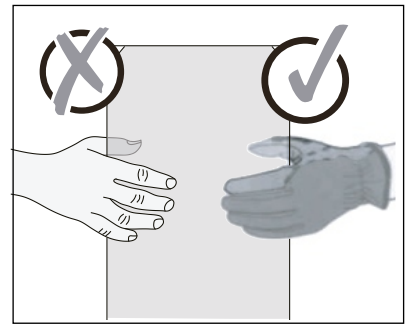
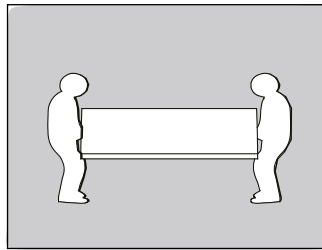
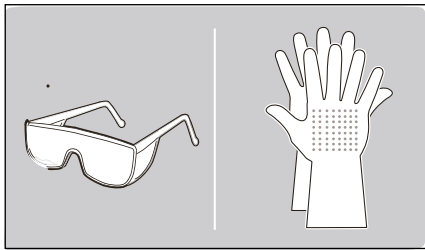
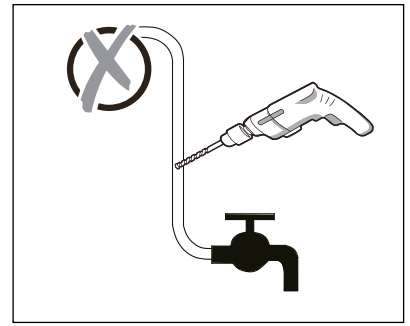
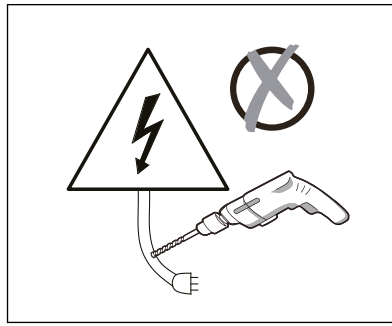
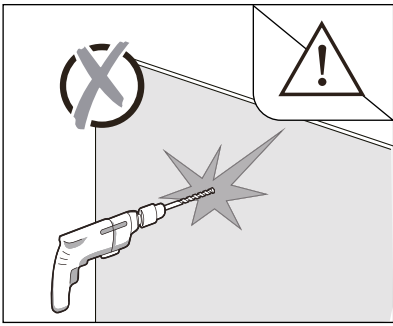
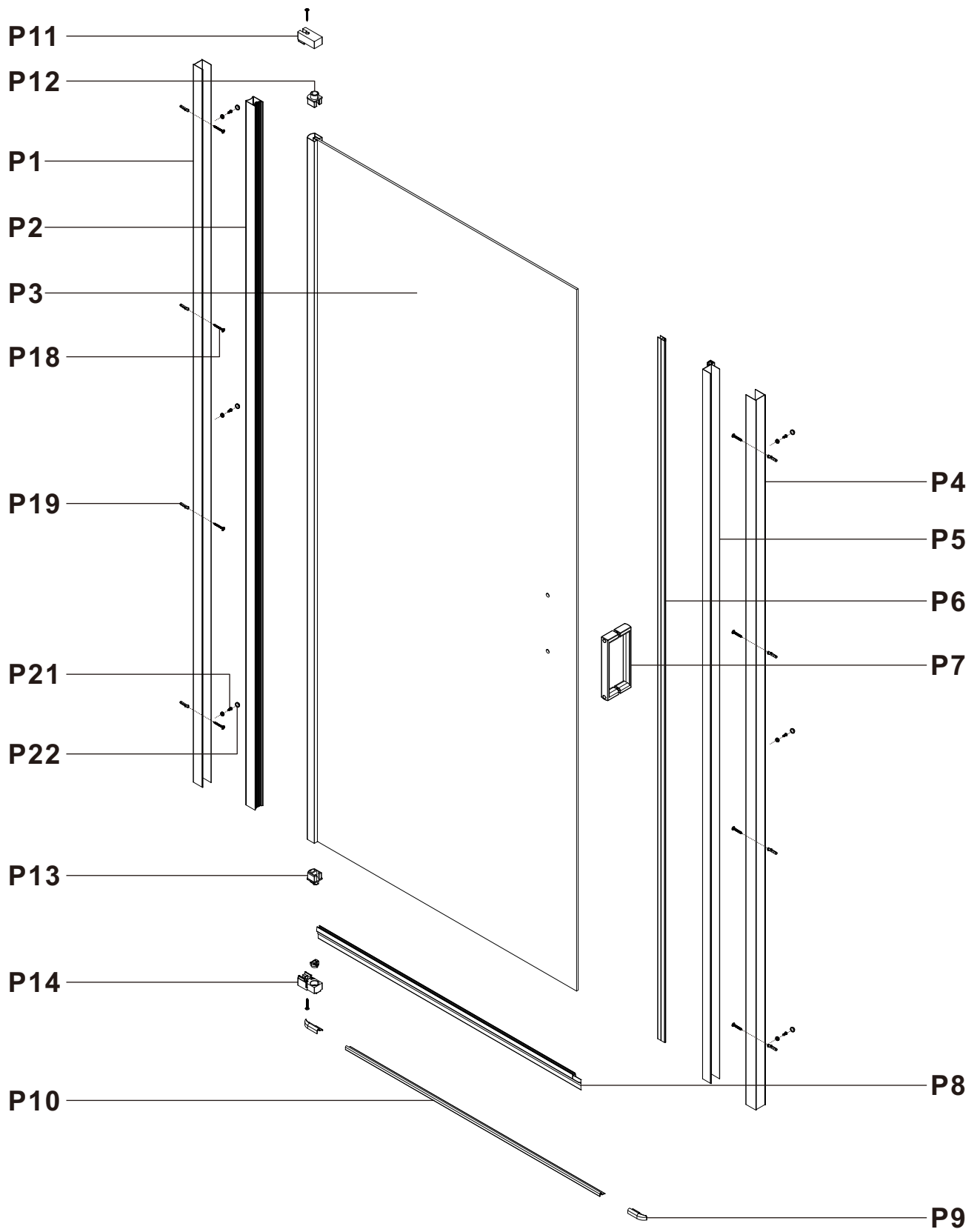
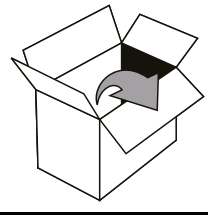


RDY11B

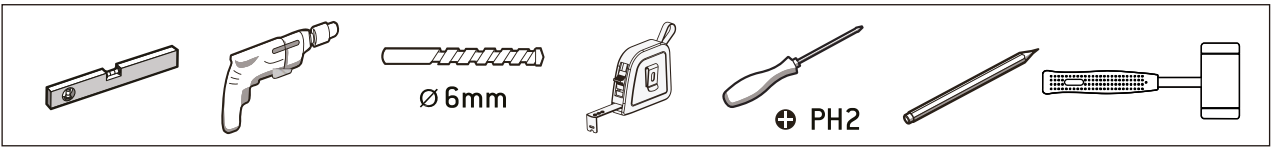






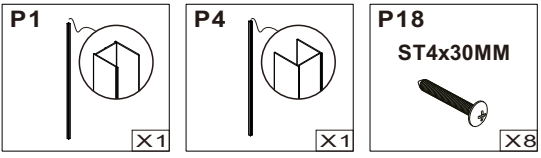
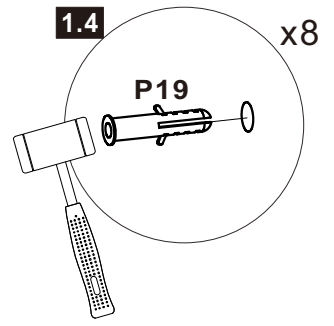
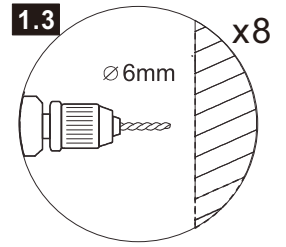
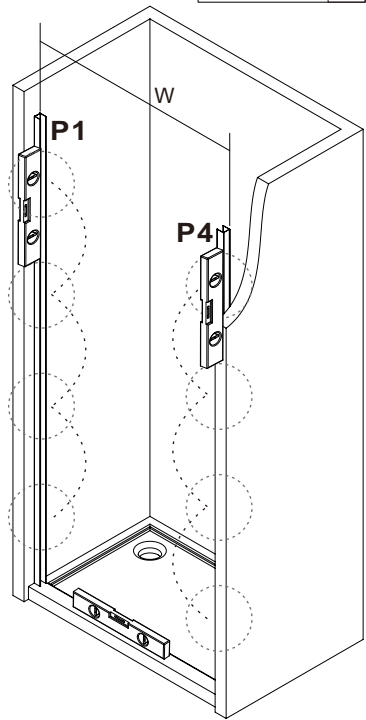
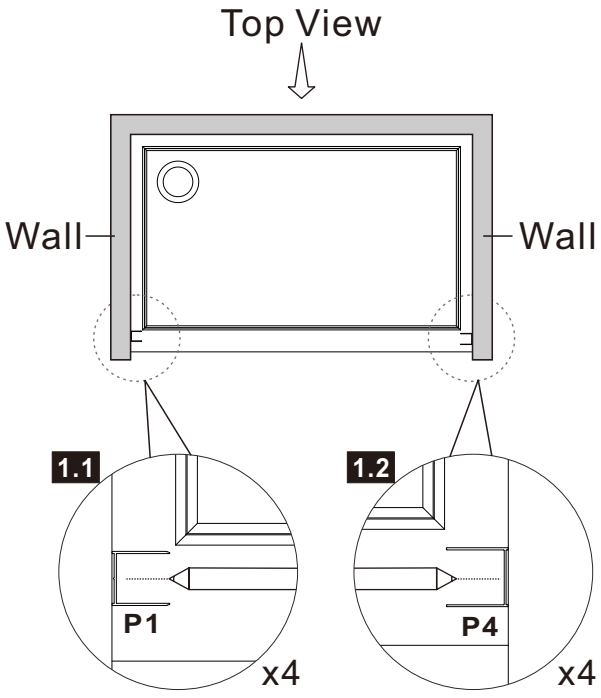
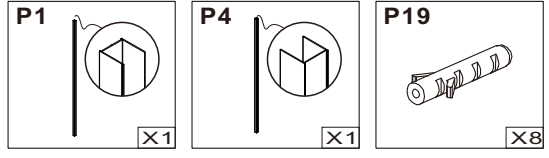


<p>P1</p> <p>X1</p>	<p>P2</p> <p>X1</p>	<p>P3</p> <p>X1</p>	<p>P4</p> <p>X1</p>
<p>P5</p> <p>X1</p>	<p>P6</p> <p>X1</p>	<p>P7</p> <p>X1</p>	<p>P8</p> <p>X1</p>
<p>P9</p> <p>X1</p>	<p>P10</p> <p>X1</p>	<p>P11</p> <p>X1</p>	<p>P12</p> <p>X1</p>
<p>P13</p> <p>X1</p>	<p>P14</p> <p>X1</p>	<p>P18 ST4x30MM</p> <p>X10</p>	<p>P19</p> <p>X8</p>
<p>P21 ST4x10MM</p> <p>X6</p>	<p>P22</p> <p>X6</p>		

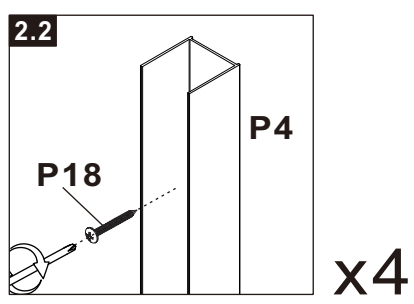
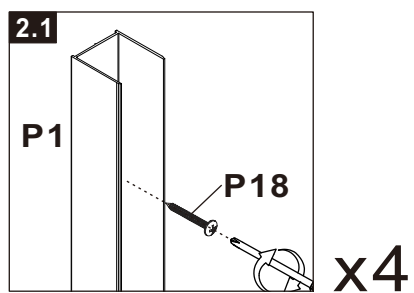
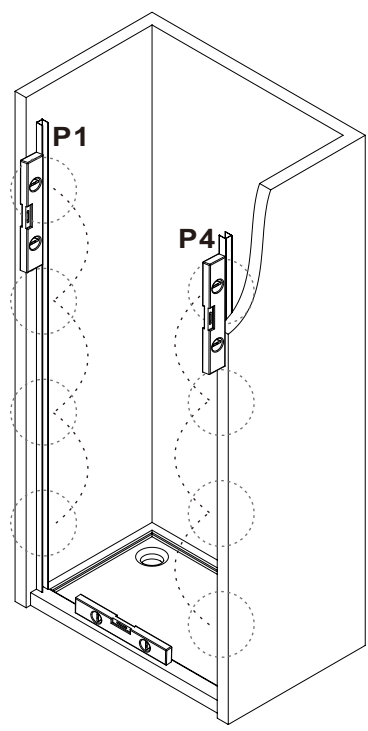


5

1



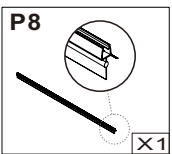
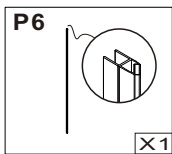
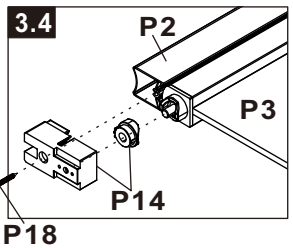
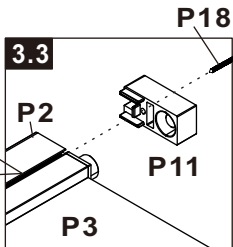
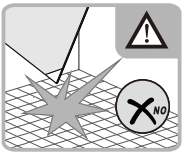
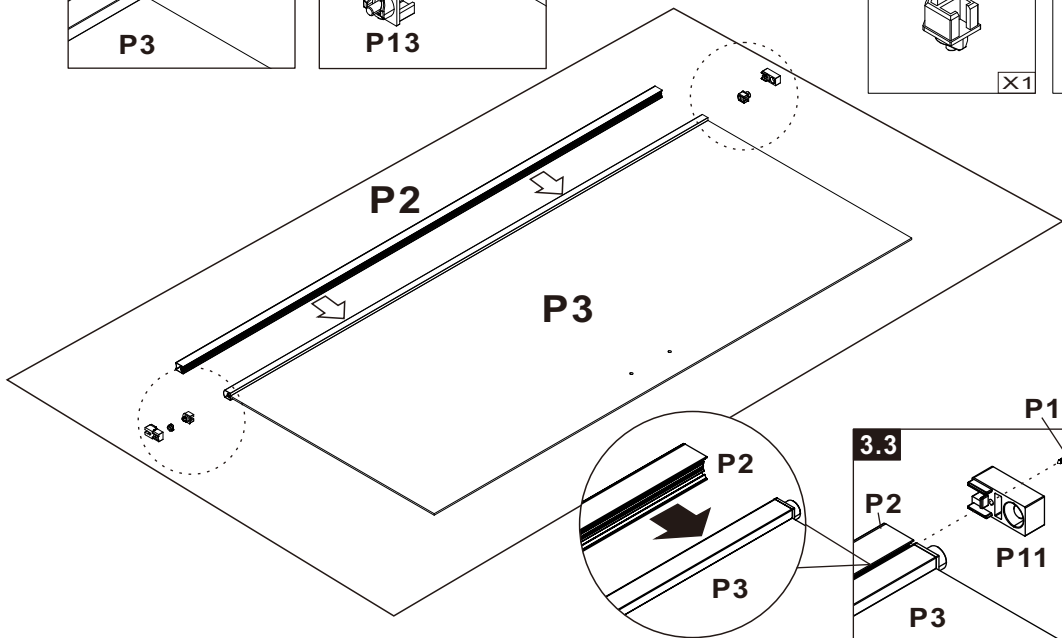
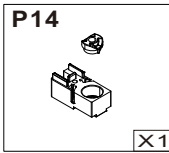
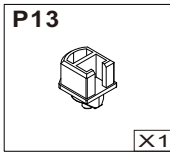
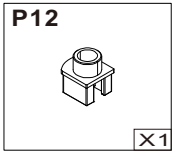
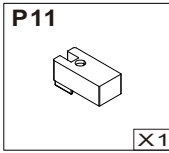
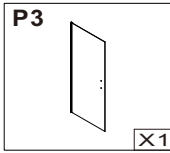
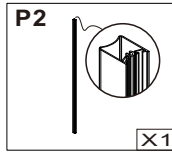
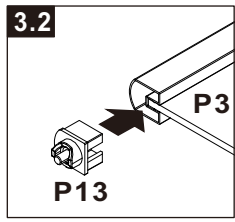
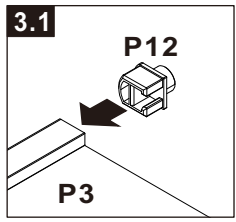
2



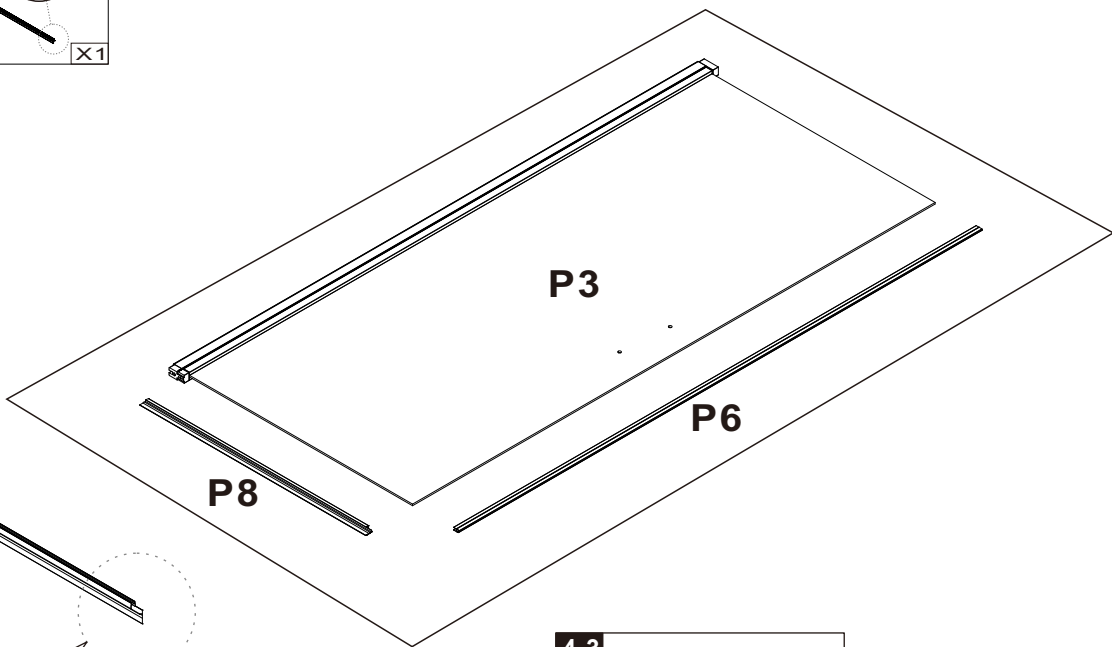
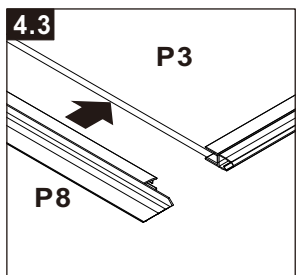
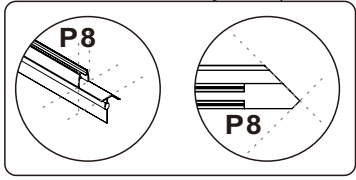
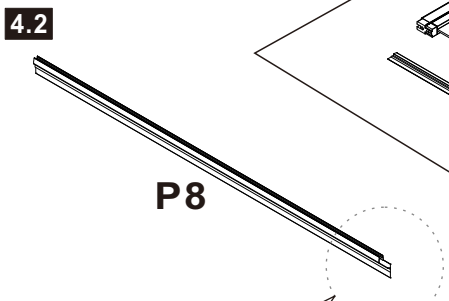
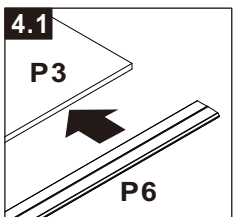
6



3



4





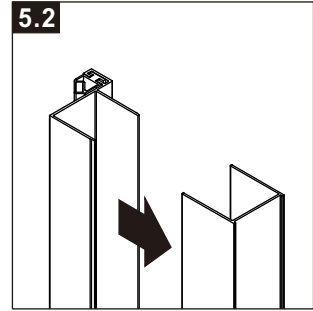
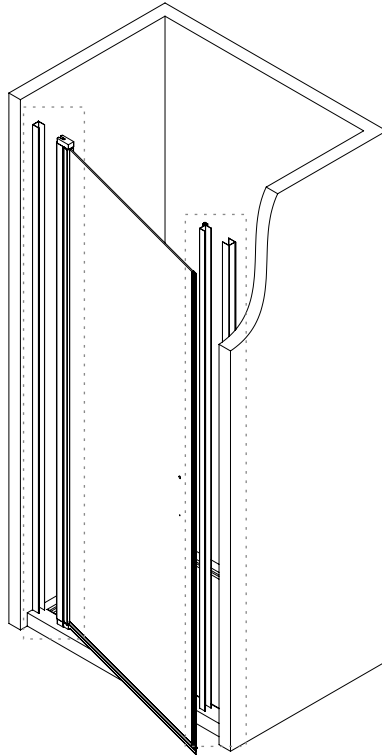
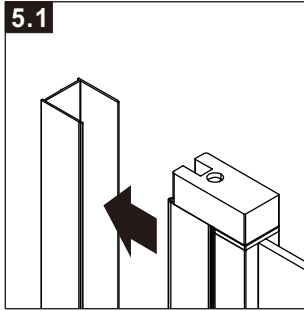
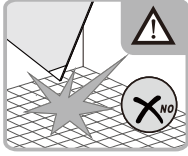
PH2



Ø3mm



5



P21
ST4x10MM



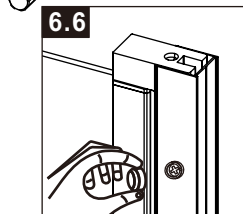
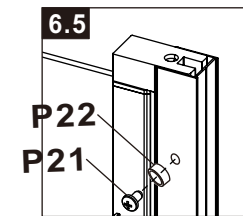
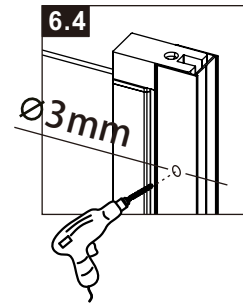
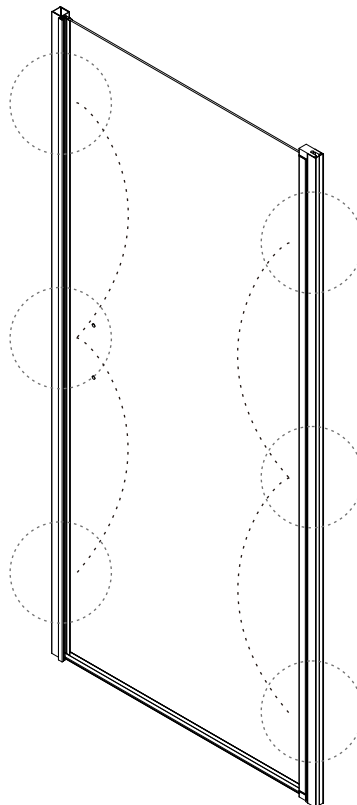
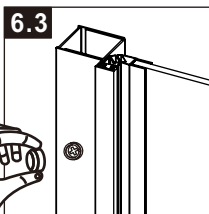
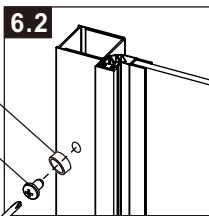
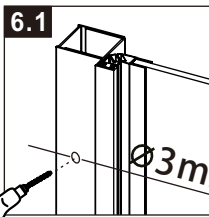
X6

P22



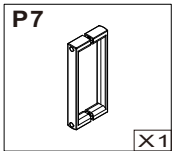
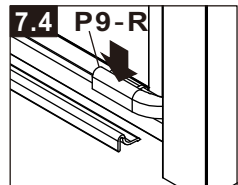
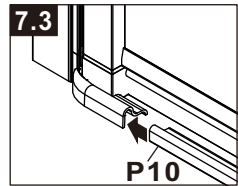
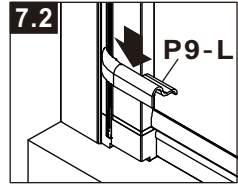
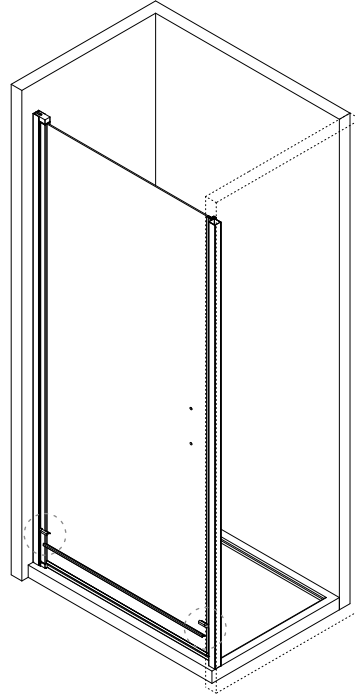
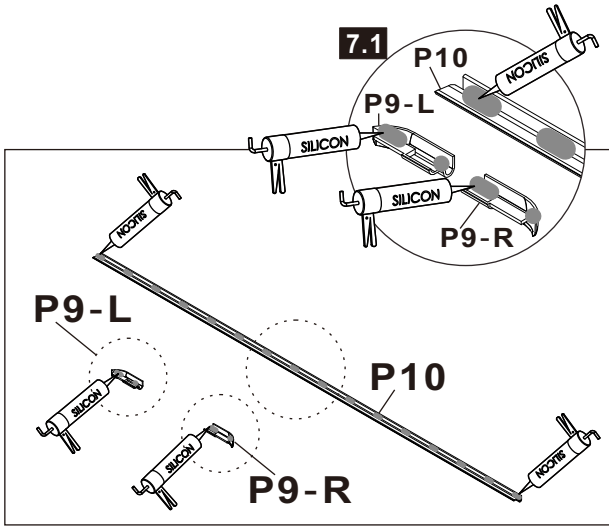
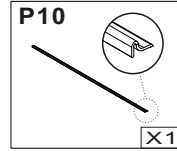
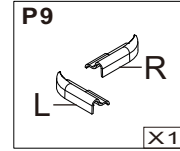
X6

6

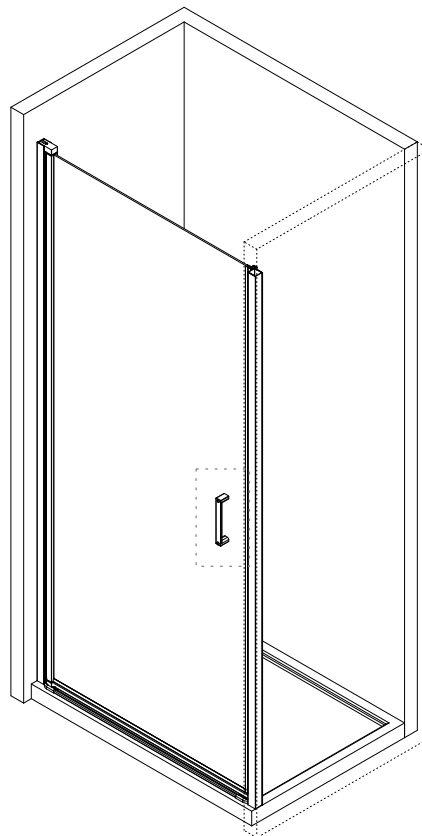
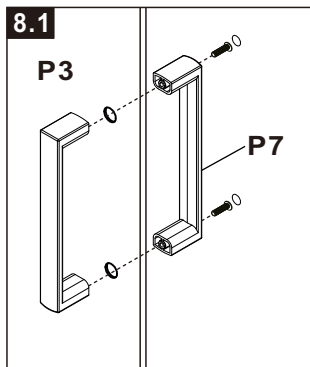


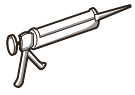


7



8





9

