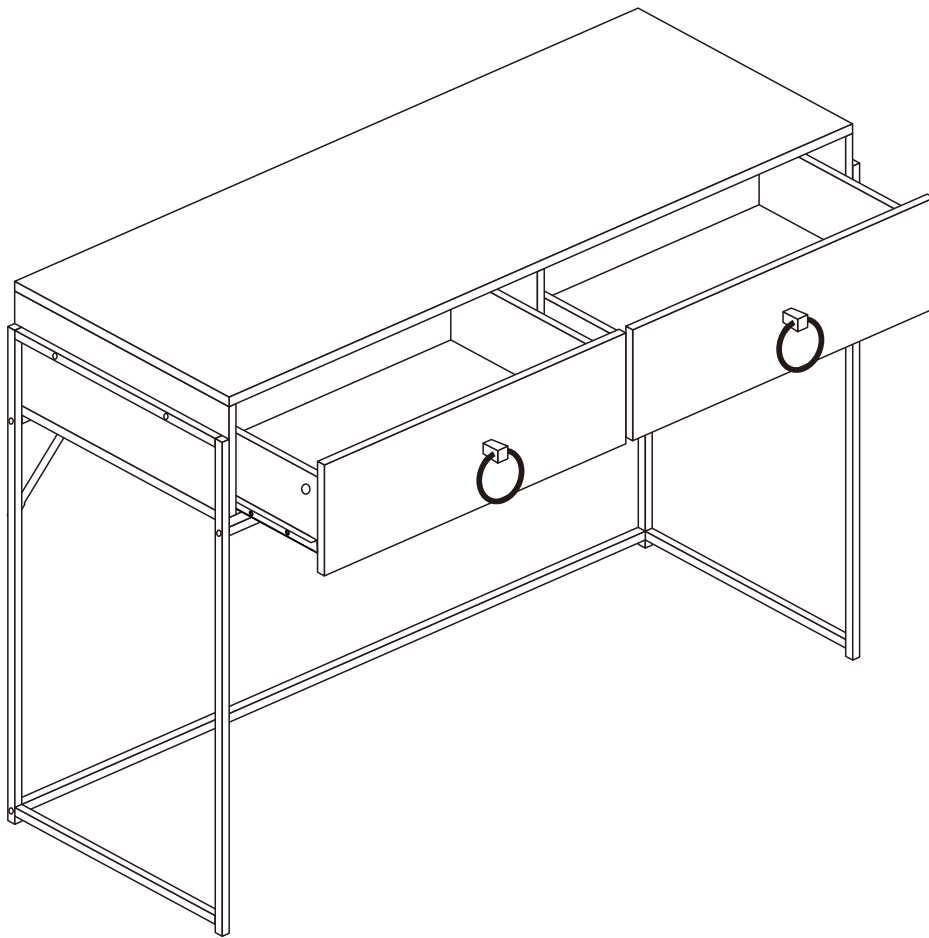


Writing Desk with 2 Drawers



ASSEMBLY AND CARE GUIDE

1 HOUR
ASSEMBLY TIME

2 PEOPLE
REQUIRED FOR ASSEMBLY

2 x 1 m
FLOOR SPACE REQUIRED

SAFETY PRECAUTIONS

PLEASE READ ALL INSTRUCTIONS CAREFULLY BEFORE ASSEMBLING AND USING THE PRODUCT.

1. Please check that all parts are present, need **Phillips head screwdriver (not included)** before you start the assembly of your furniture.
2. For ease and speed of assembly, we recommend that before you commence each step of the assembly, that you identify all the parts required for that step.
3. For larger items, please ensure that you have sufficient space and people to assemble your product safely.
4. We recommend that, where possible, all items are assembled near to the area in which they will be placed in use, to avoid moving the product unnecessarily once assembled.
5. For the protection of your furniture, we recommend that the product is placed on a protected surface during assembly to prevent any damage.
6. During assembly, Do not tighten bolts / screws completely until all bolts / screws are lined up and inserted into holes, Do not over tighten screws and bolts to avoid stripping, Do not use power tools
7. Always place the product on a flat, steady and stable surface.
8. Do not stand on the product. Do not use the product as a stepladder.
9. This product is intended for indoor, household use only as it is a non industrial product.

CARE AND CLEANING

- Please periodically check all fittings and re-tighten as necessary.
- To clean your item, please use a damp cloth and wipe clean.
- Never allow any kind of liquid to remain on your furniture. If liquid spills onto the product, please wipe clean as soon as possible.




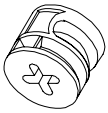
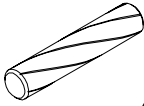
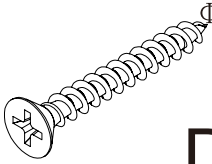
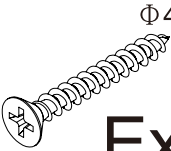
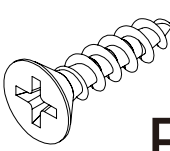
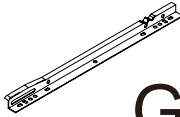
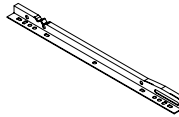
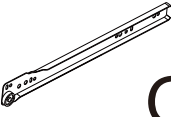
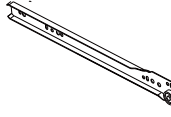
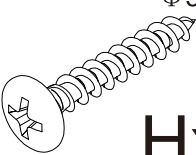
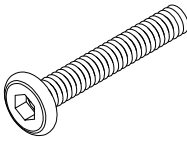
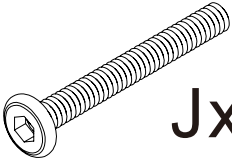
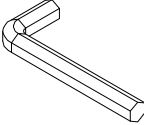
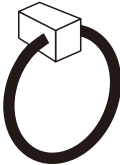
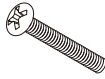

WARNING : ENSURE THE WALL STRAP IS ATTACHED TO
AVOID SERIOUS INJURY

To avoid any serious or fatal injury, this product has been fitted with a wall strap to prevent toppling. We strongly recommend that this product is permanently fixed to the wall or other suitable surface. Fixing devices are not included since different surface materials require different attachments. Please seek professional advice if you are in doubt of what fixing device to use.

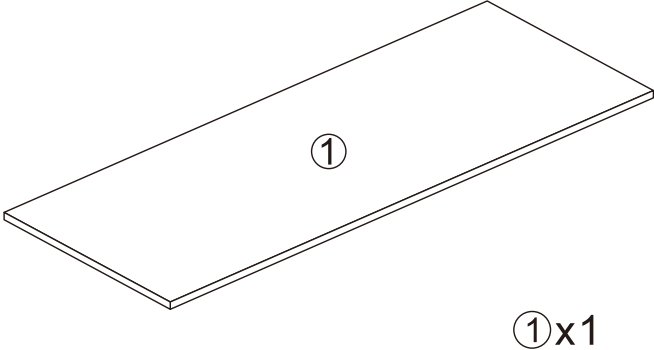
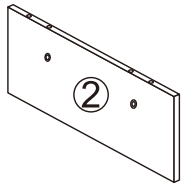
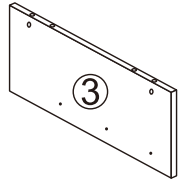
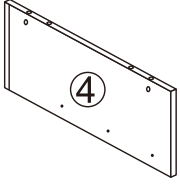
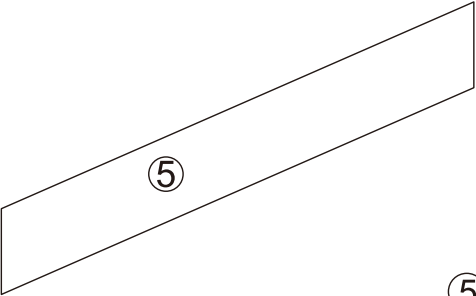
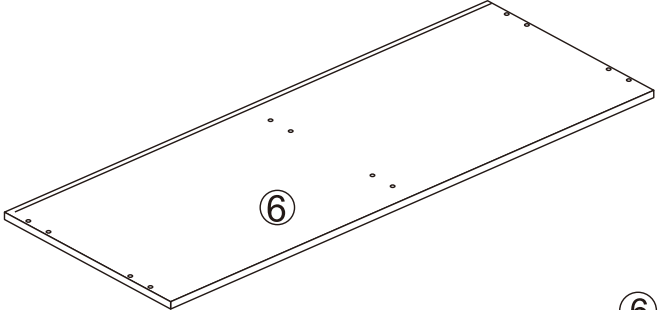
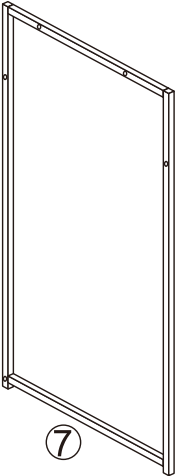
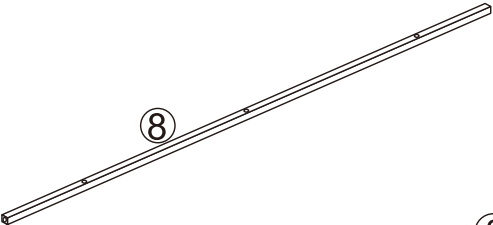
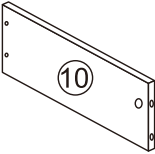
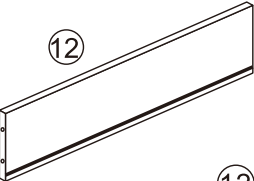
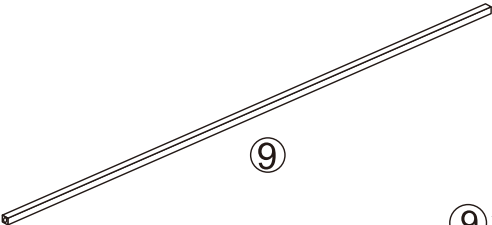
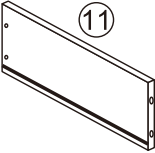
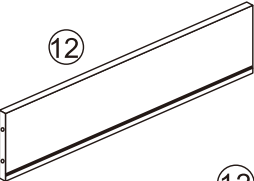
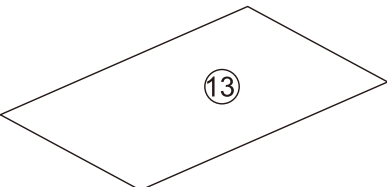
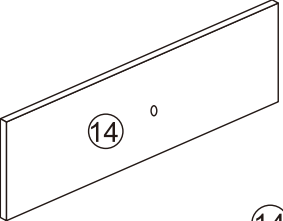
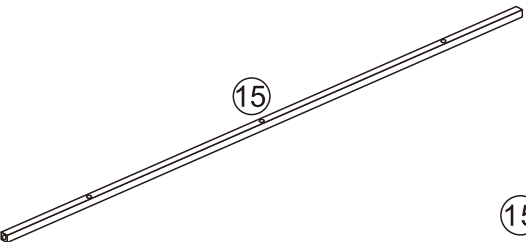
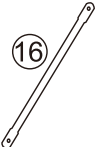
Do not stand on the product. Do not climb on the product. Do not swing on the product.

READ AND SAVE THESE INSTRUCTIONS FOR FUTURE REFERENCE

HARDWARE LIST

 <p>Φ6x30mm</p> <p>Ax10</p> <p>Cam bolt</p>	 <p>Φ15x10mm</p> <p>Bx10</p> <p>Cam lock</p>	 <p>Φ6x30mm</p> <p>Cx16</p> <p>Wooden dowel</p>	 <p>Φ4x40mm</p> <p>Dx6</p> <p>Screw</p>
 <p>Φ4x35mm</p> <p>Ex8</p> <p>Screw</p>	 <p>Φ3x12mm</p> <p>Fx20</p> <p>Screw</p>	<p>(DL)</p>  <p>Gx2</p> <p>Rail</p>	<p>(DR)</p>  <p>Gx2</p> <p>Rail</p>
<p>(CL)</p>  <p>Gx2</p> <p>Rail</p>	<p>(CR)</p>  <p>Gx2</p> <p>Rail</p>	<p>Φ5x30mm</p>  <p>Hx6</p> <p>Screw</p>	<p>Φ6x30mm</p>  <p>Ix4</p> <p>Bolt</p>
<p>Φ6x45mm</p>  <p>Jx6</p> <p>Bolt</p>	 <p>Kx1</p> <p>Hex key</p>	 <p>Lx2</p> <p>Ring handle</p>	<p>Φ4x18mm</p>  <p>Mx2</p> <p>Bolt</p>
<p>Φ6x12mm</p>  <p>Nx4</p> <p>Bolt</p>			

PARTS LIST

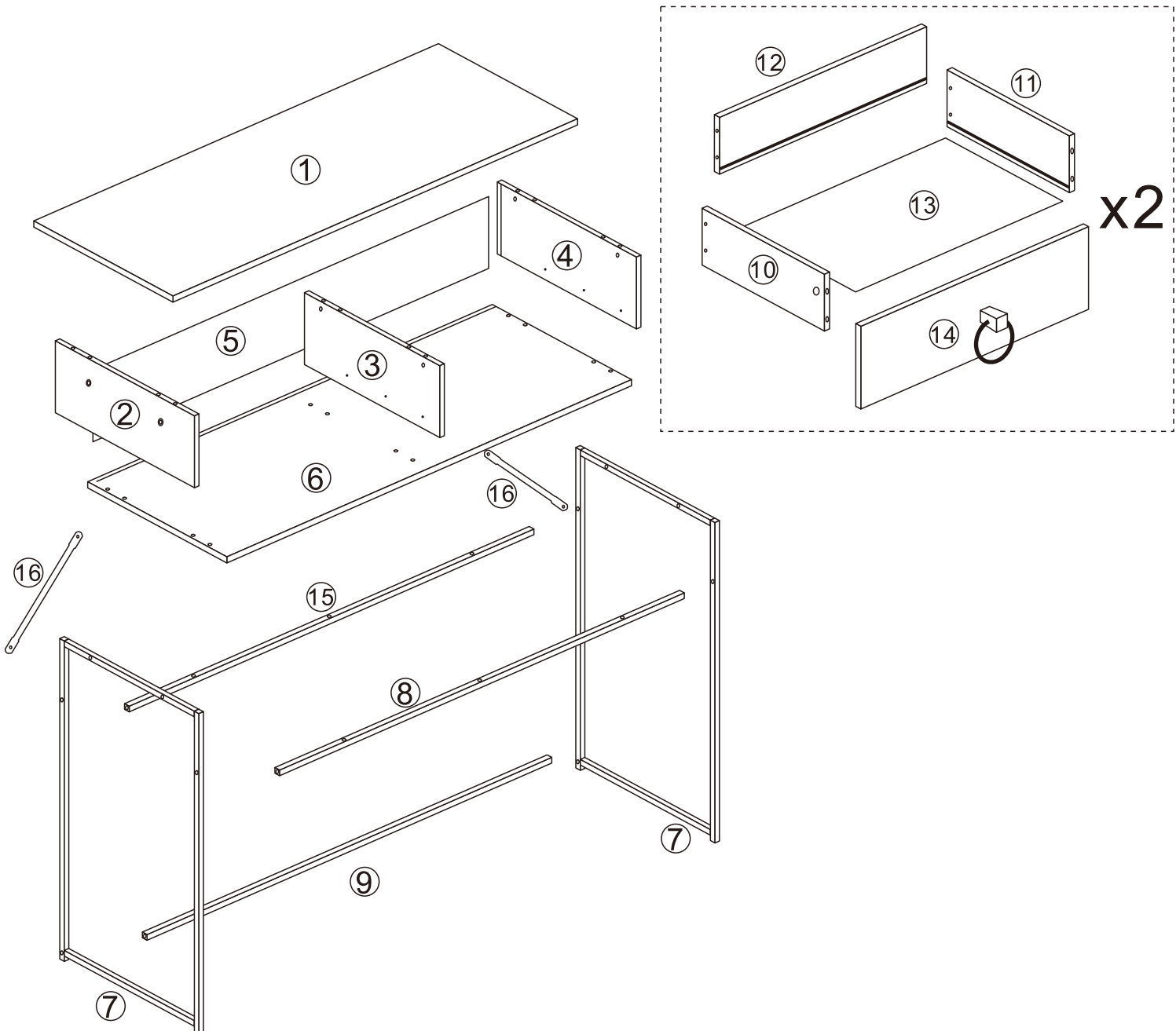
 <p>①</p> <p>①x1</p>	 <p>②</p> <p>②x1</p>	 <p>③</p> <p>③x1</p>	 <p>④</p> <p>④x1</p>
 <p>⑤</p> <p>⑤x1</p>	 <p>⑥</p> <p>⑥x1</p>		
 <p>⑦</p> <p>⑦x2</p>	 <p>⑧</p> <p>⑧x1</p>	 <p>⑩</p> <p>⑩x2</p>	
 <p>⑫</p> <p>⑫x2</p>	 <p>⑨</p> <p>⑨x1</p>	 <p>⑪</p> <p>⑪x2</p>	
 <p>⑫</p> <p>⑫x2</p>	 <p>⑬</p> <p>⑬x2</p>	 <p>⑭</p> <p>⑭x2</p>	
 <p>⑮</p> <p>⑮x1</p>	 <p>⑯</p> <p>⑯x 2</p>		

AFTER SALES SUPPORT

If you have any general enquiries or require spare parts for this product, please feel free to contact us

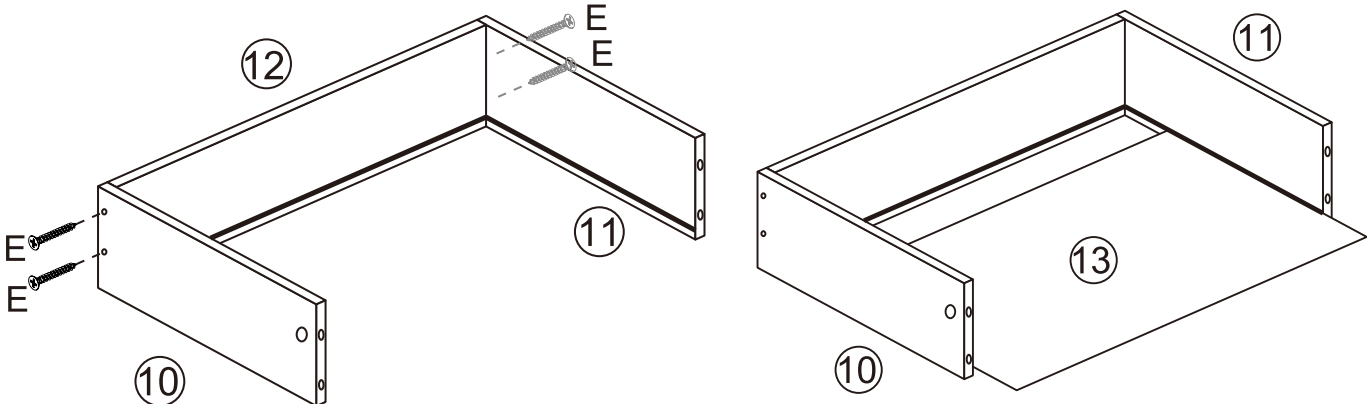
You can contact us for support at any time. We'll answer you in 24hrs.

ASSEMBLY DIAGRAM



ASSEMBLY STEPS

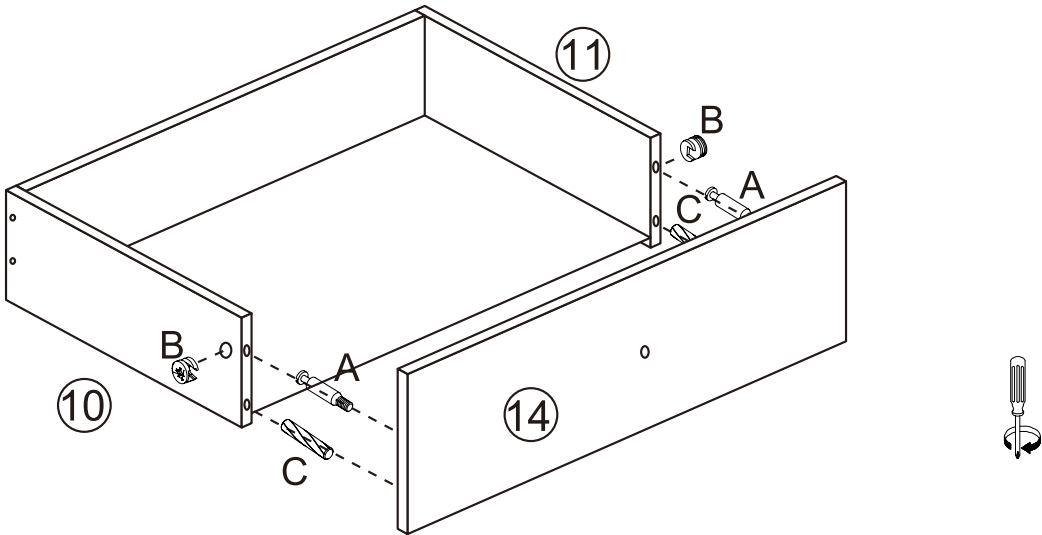
STEP 1.



Attach panel (10), (11) to panel (12) using 4 x screws (E). Tighten with a screwdriver.

Slide panel (13) into position as shown.

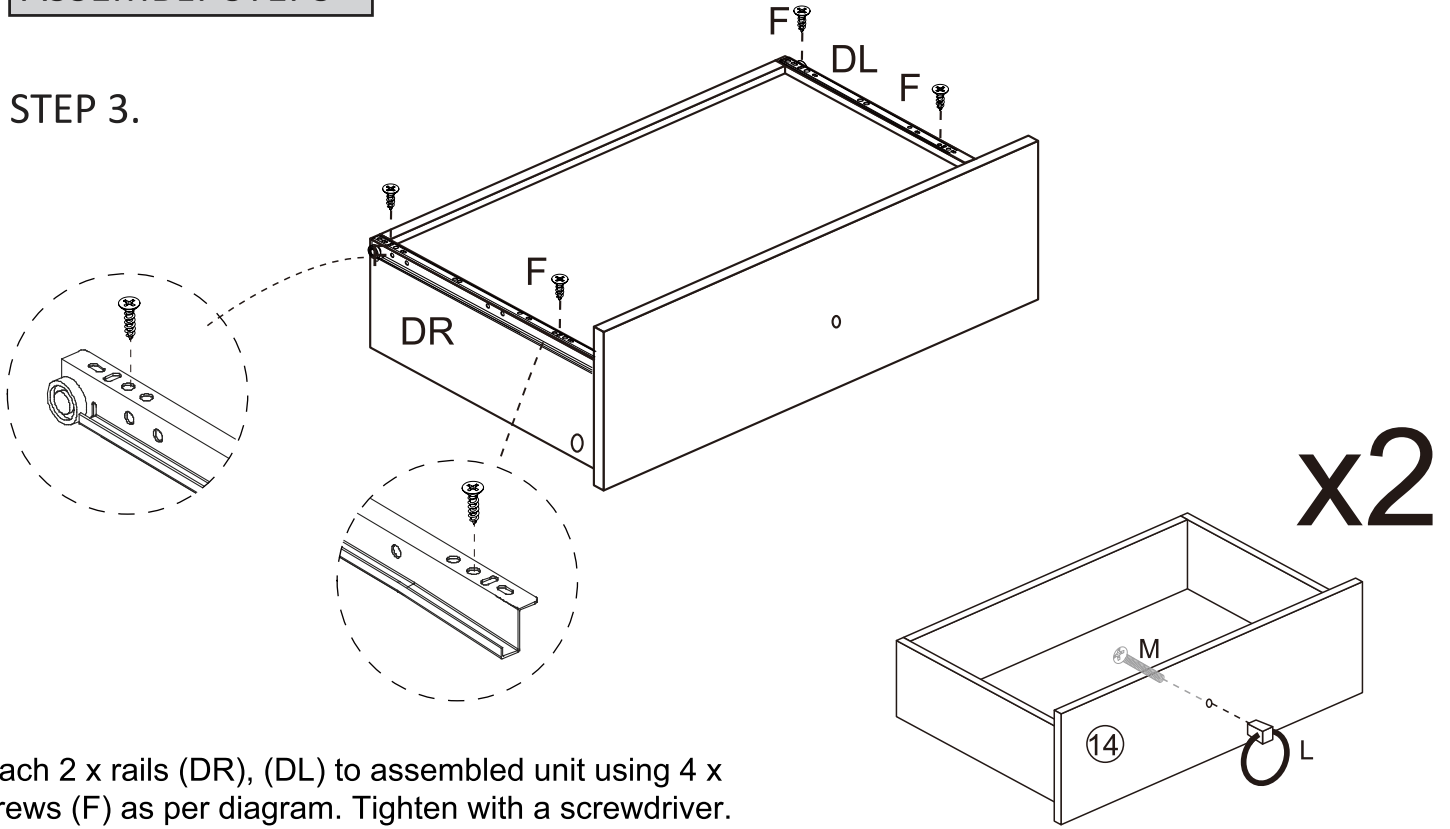
STEP 2.



Attach panel (14) to assembled unit using 2 x wooden dowels (C) and 2 x cam bolts (A). Then secure with 2 x cam locks (B) as shown.

ASSEMBLY STEPS

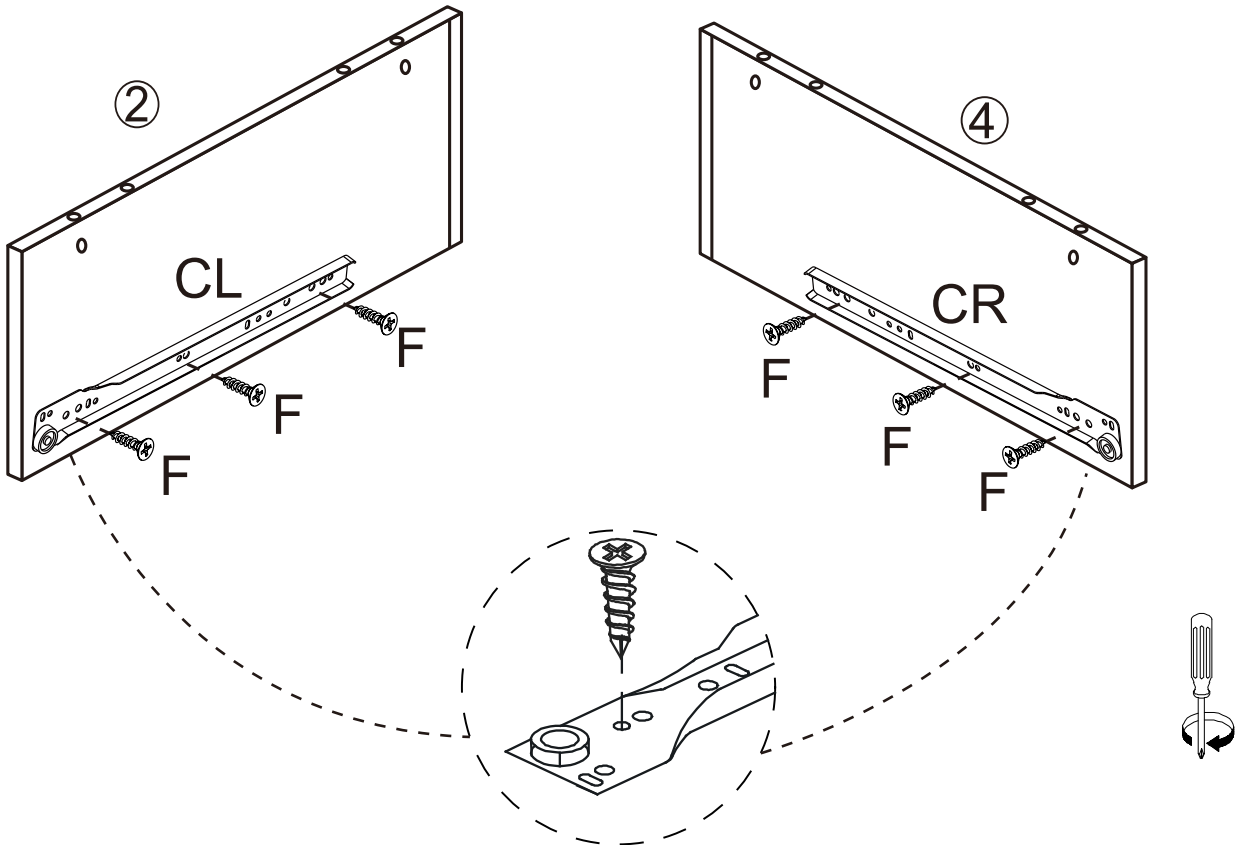
STEP 3.



Attach 2 x rails (DR), (DL) to assembled unit using 4 x screws (F) as per diagram. Tighten with a screwdriver.

Attach ring handle (L) to panel (14) using bolt (M).

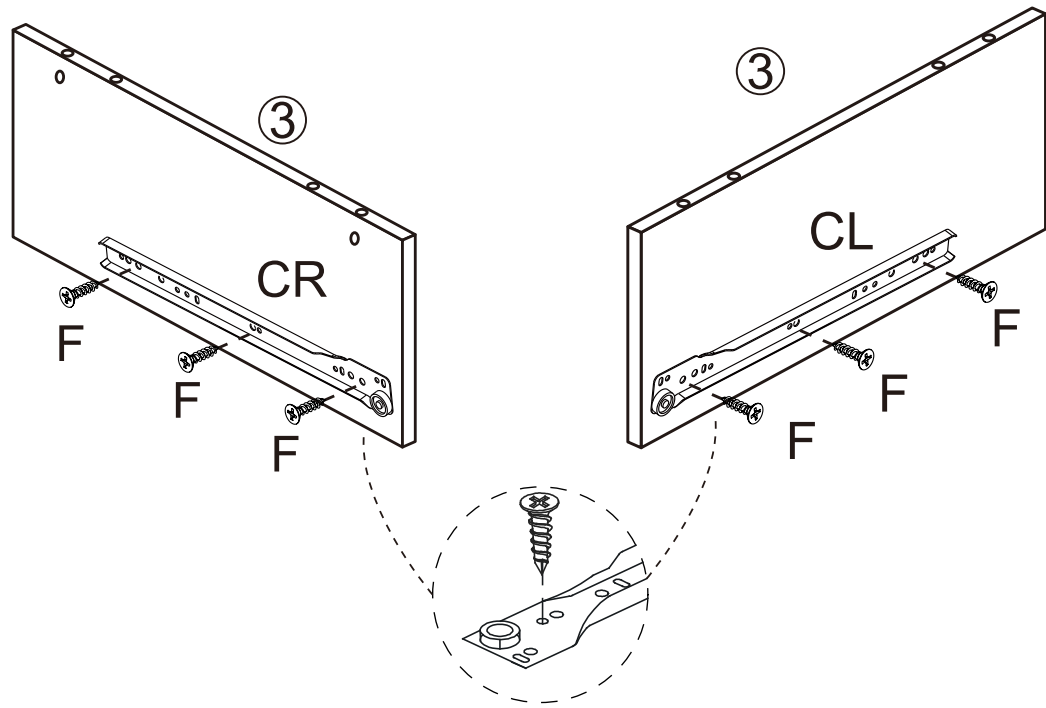
STEP 4.



Attach 2 x rails (CL), (CR) to panels (2), (4) using 6 x screws (F) as shown. Tighten with a screwdriver.

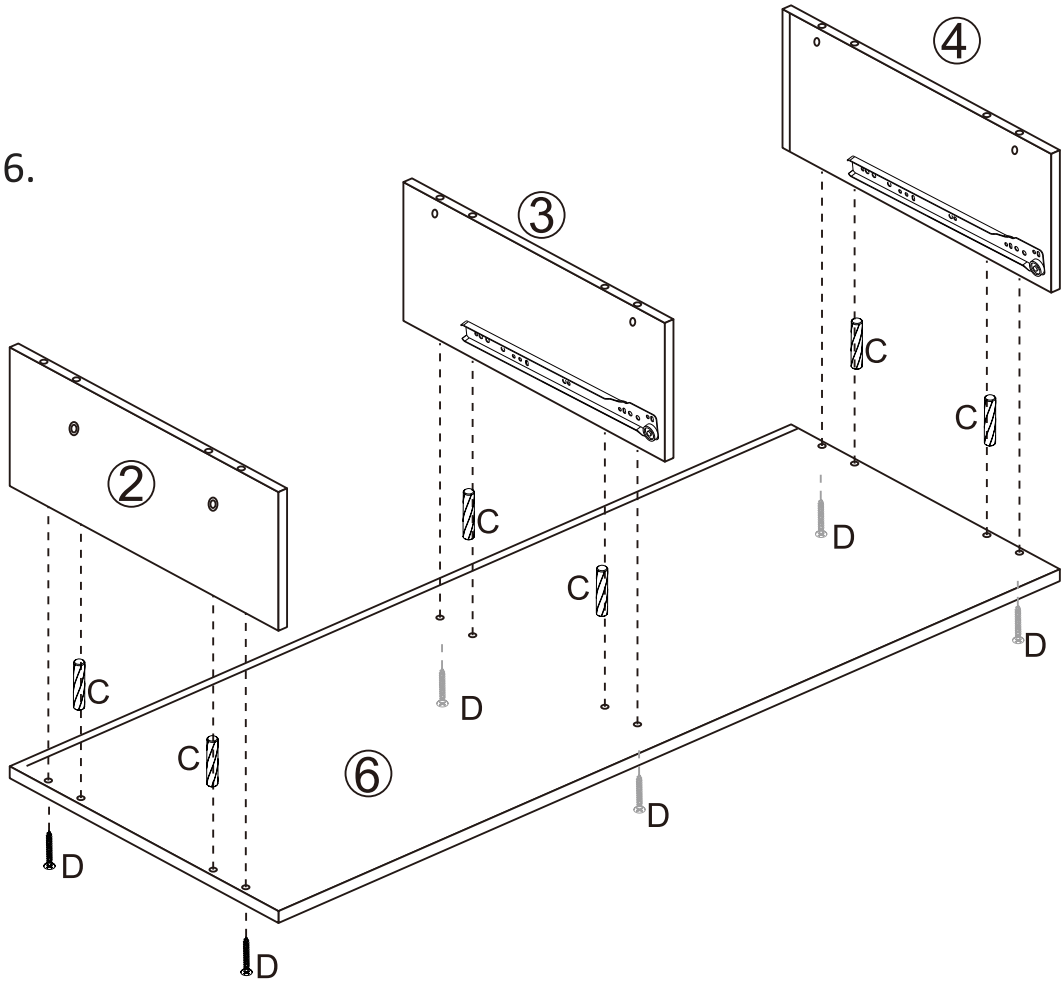
ASSEMBLY STEPS

STEP 5.



Attach 2 x rails (CR), (CL) to panel (3) using 6 x screws (F) as shown. Tighten with a screwdriver.

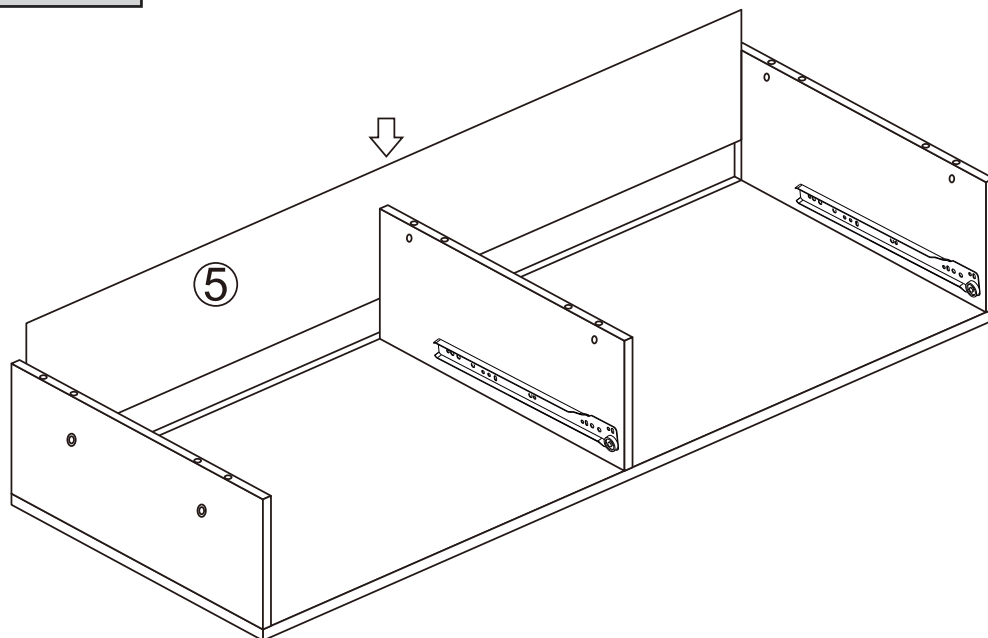
STEP 6.



Attach panels (2), (3) and (4) to panel (6) using 6 x wooden dowels and 6 x screws (D) as per diagram. Tighten with a screwdriver.

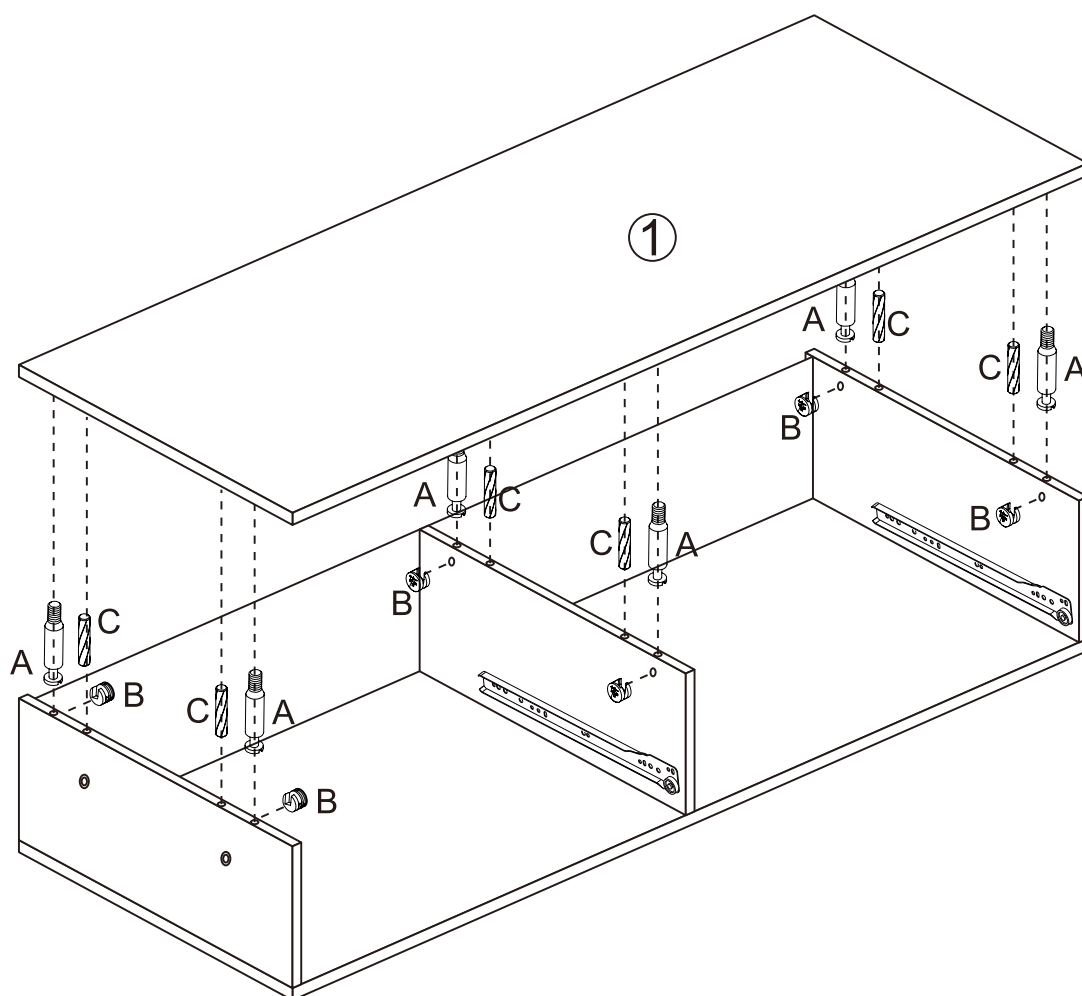
ASSEMBLY STEPS

STEP 7.



Slide panel (5) into position as shown.

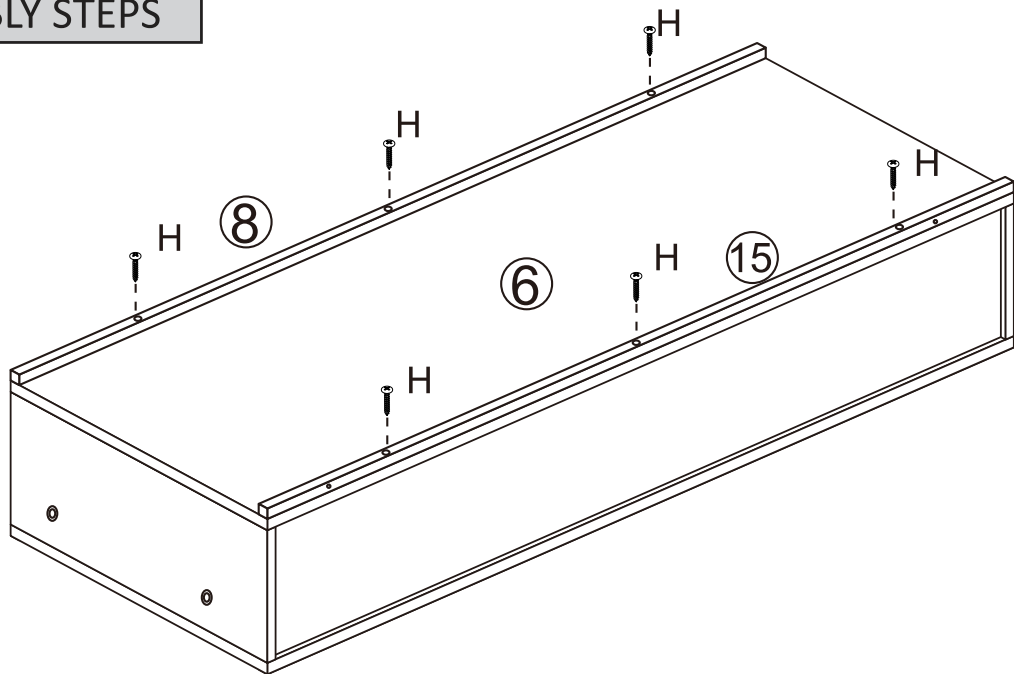
STEP 8.



Attach panel (1) to the assembled unit using 6 x cam bolts (A) and 6 x wooden dowels (C) as shown. Then secure with 6 x cam locks (B). Tighten with a screwdriver.

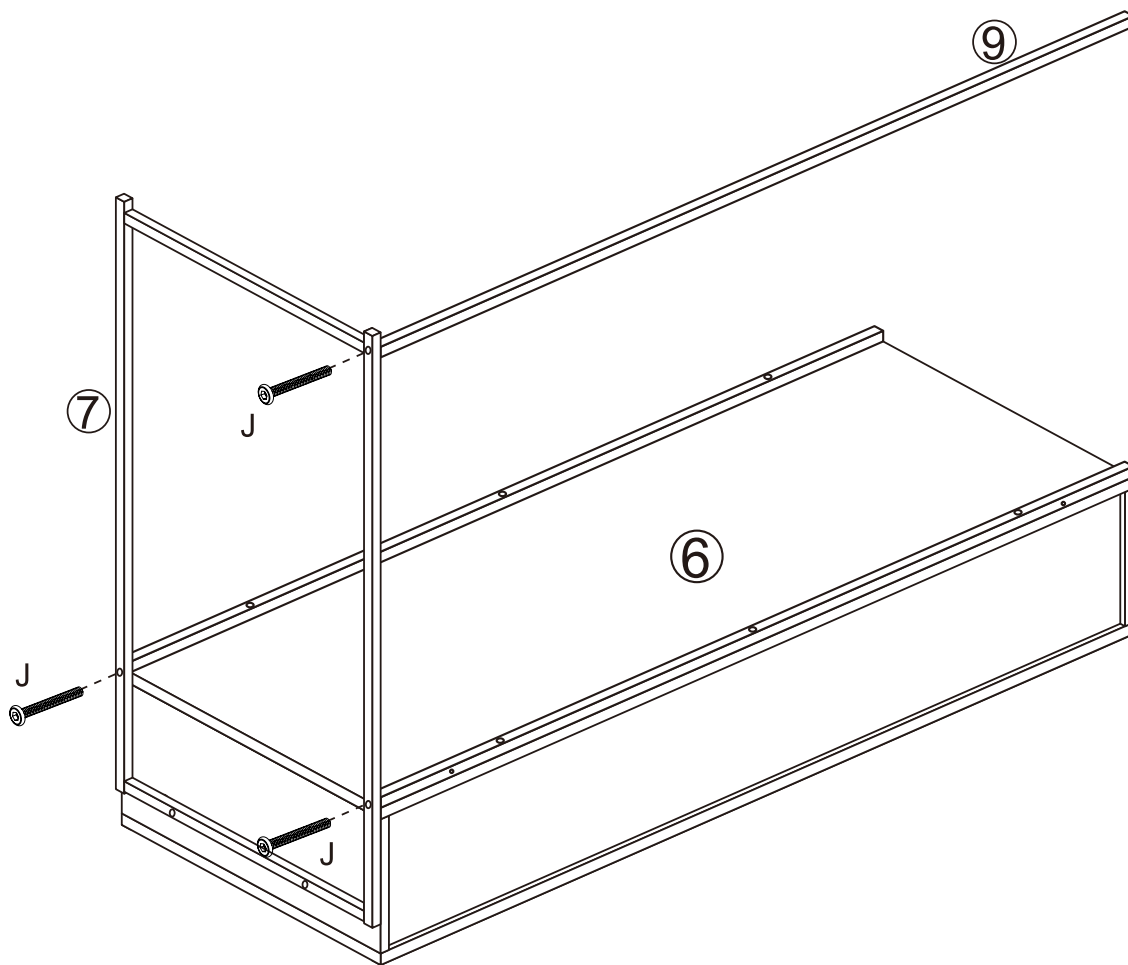
ASSEMBLY STEPS

STEP 9.



Fix parts (8), (15) to the bottom panel (6) using 6 x screws (H) with a screwdriver.

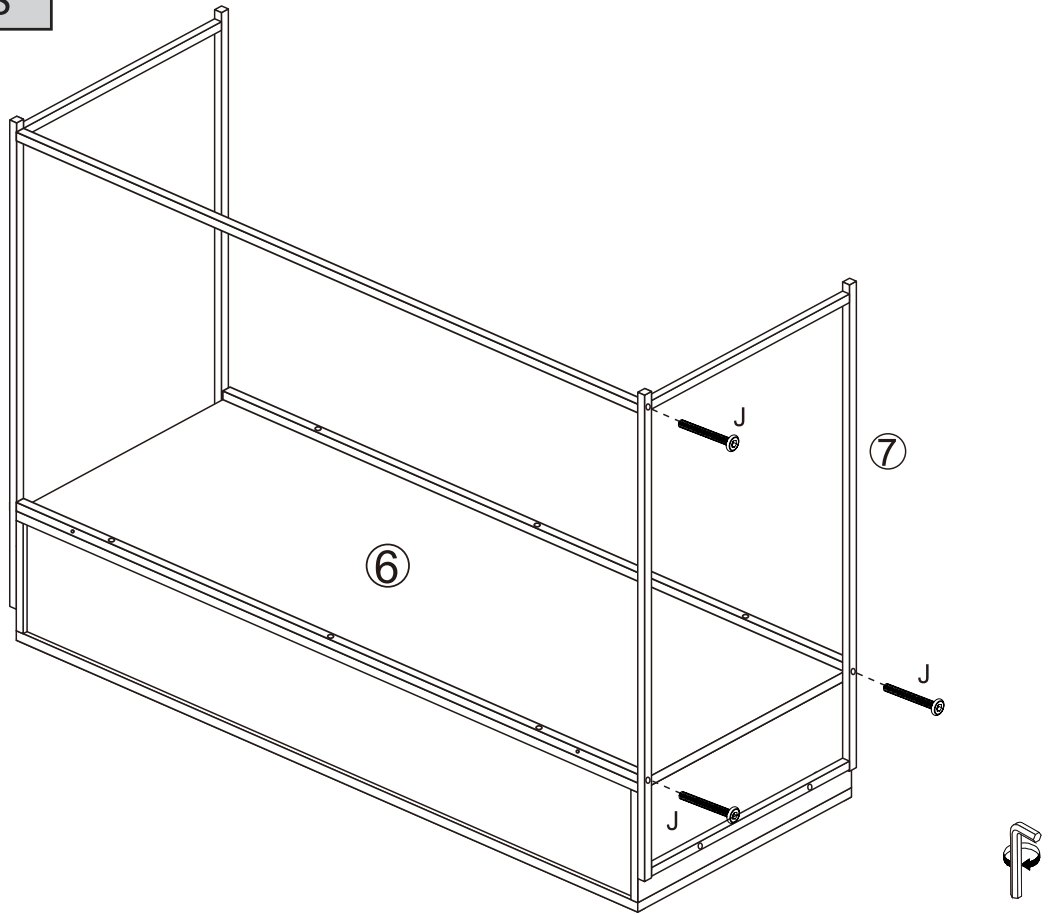
STEP 10.



Attach metal frame (7) and metal beam (9) to assembled unit using 3 x bolts (J). Tighten with a Hex Key (K).

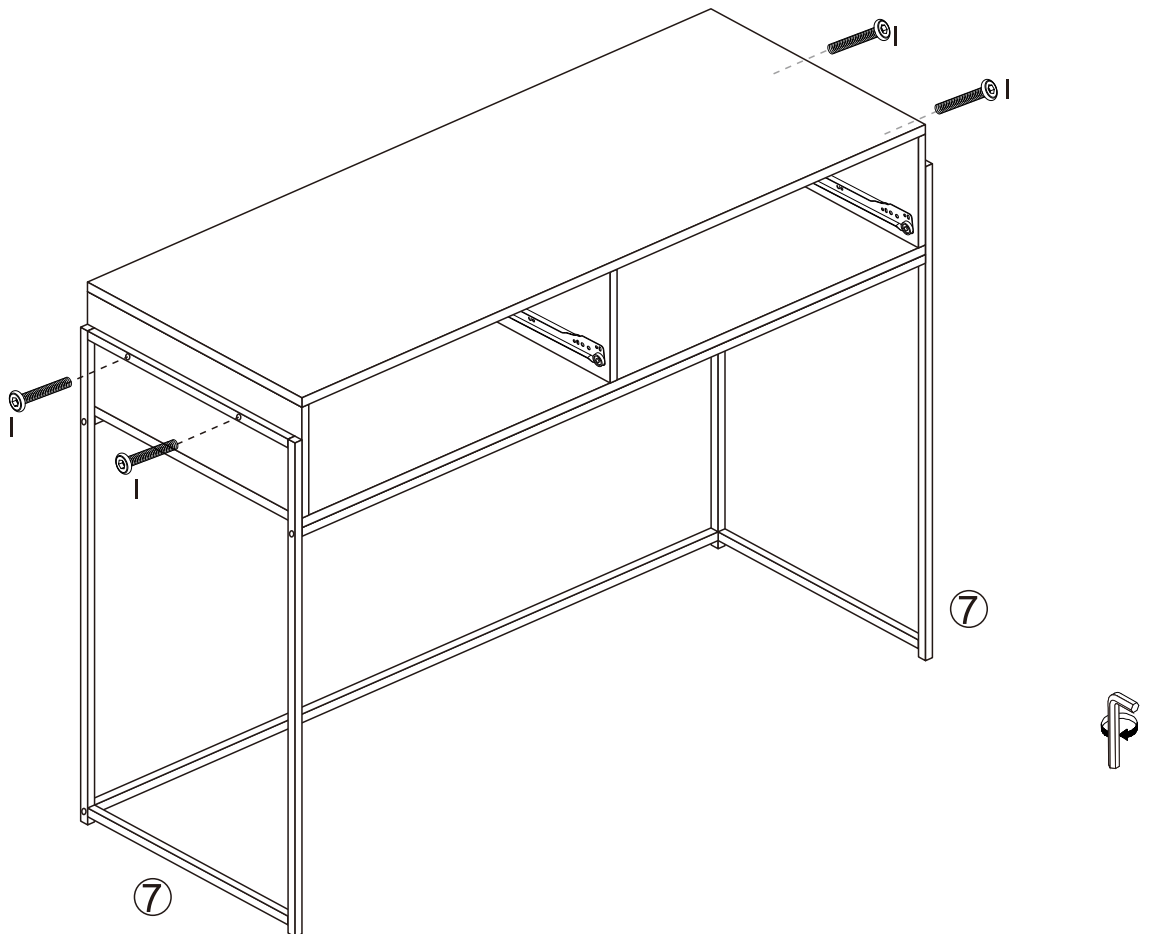
ASSEMBLY STEPS

STEP 11.



Attach the other piece of metal frame (7) to assembled unit using 3 x bolts (J). Tighten with a Hex Key (K)

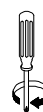
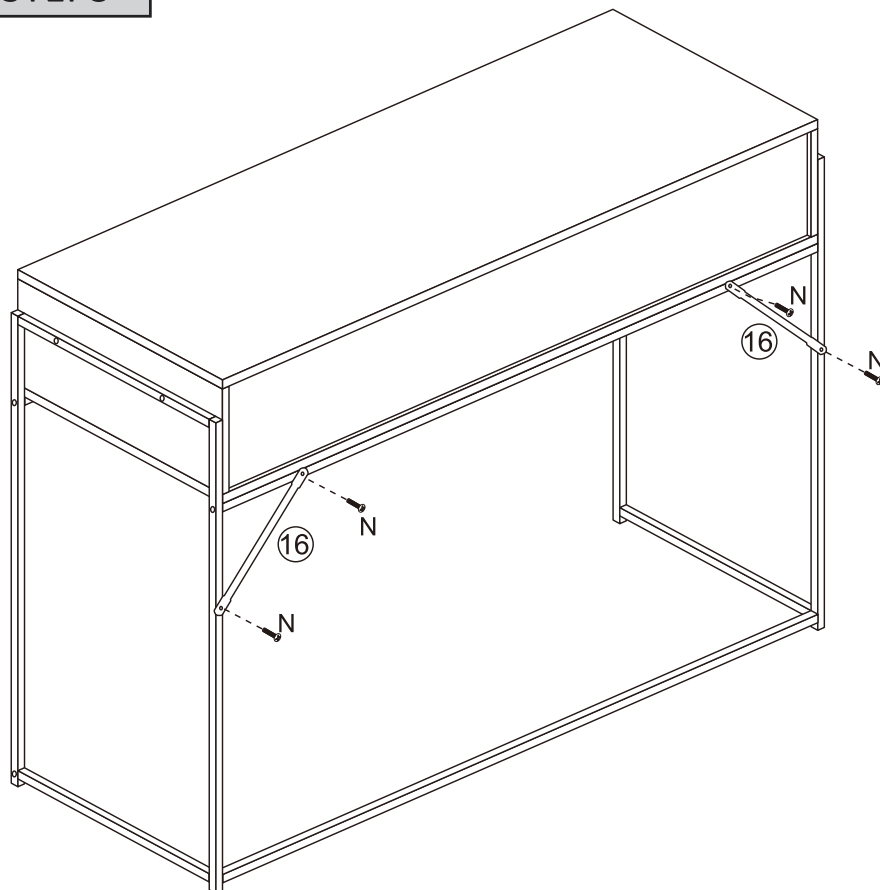
STEP 12.



Insert and secure 4 x bolts (I) into position as shown to lock it. Tighten with Hex key.

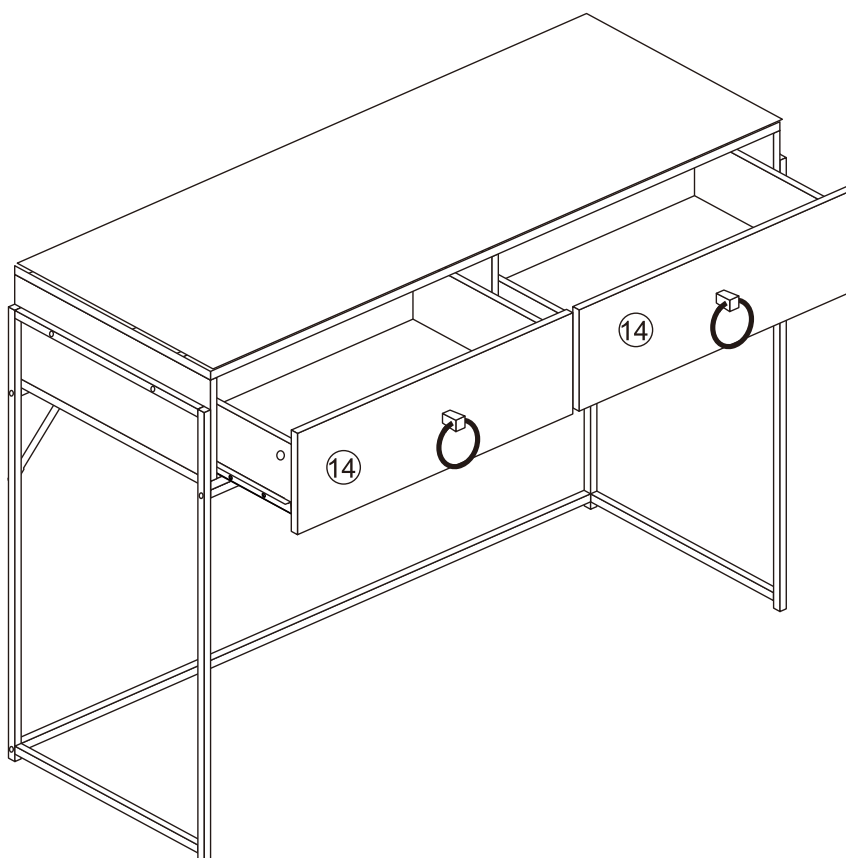
ASSEMBLY STEPS

STEP 13.



Attach part (16) to back of assembled unit and secure with 4 x bolts (N) as shown. Tighten with Hex key.

STEP 14.



Slide assembled drawers into position as shown. Final assembly.