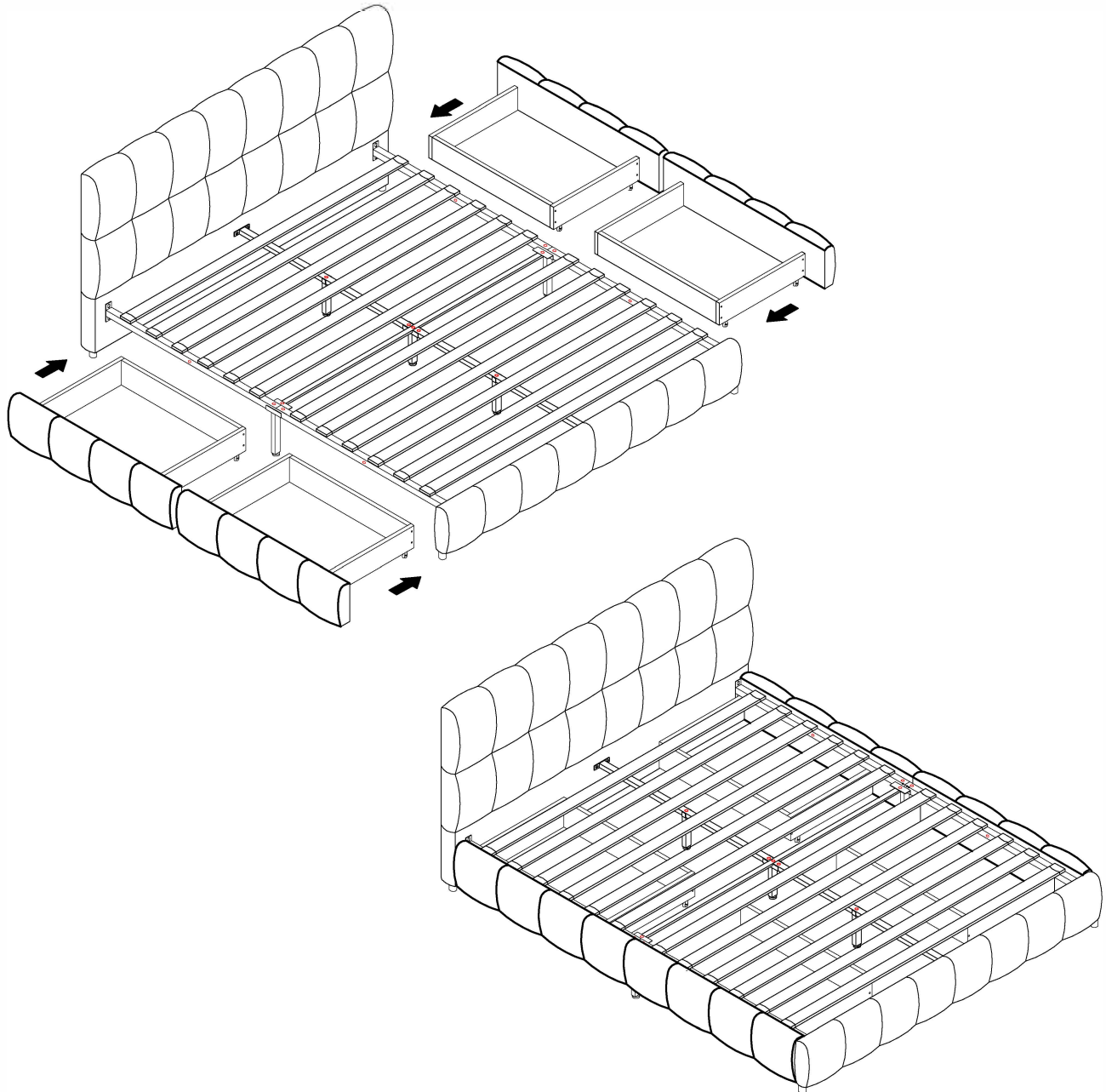


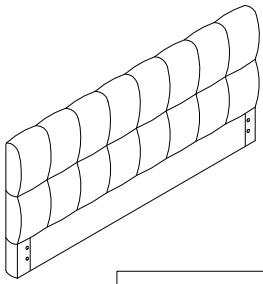
# ASSEMBLY INSTRUCTIONS

Q1



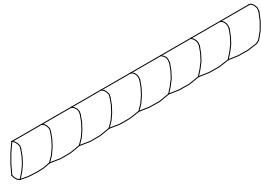
# PARTS AND HARDWARE

① Headboard



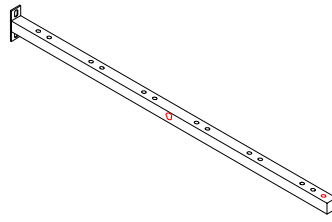
1PC

② Footboard



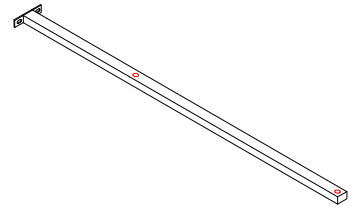
1PC

③ Side Rail Support



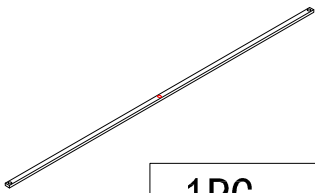
4PCS

④ Center support rail



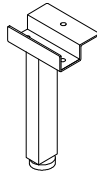
2PCS

⑤ Center cross bar



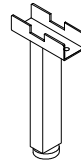
1PC

⑥ Side Rail Feet



2PCS

⑦ Center Support Leg



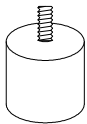
1PC

⑧ Support Leg



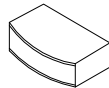
2PCS

⑨ Leg



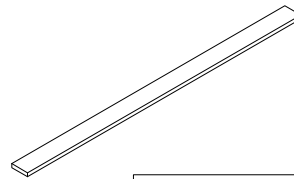
4PCS

⑩ Single Sided Plastic cap



24PCS

⑪ Slat



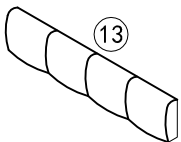
12PCS

⑫



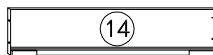
16PCS

⑬



4PCS

⑭



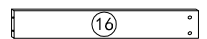
4PCS

⑮



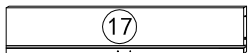
4PCS

⑯



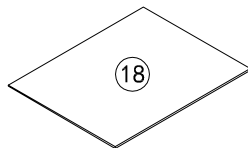
4PCS

⑰



4PCS

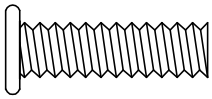
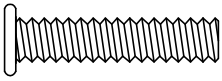
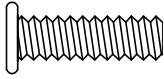

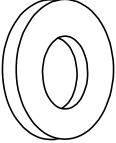



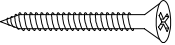
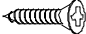
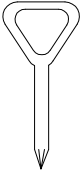
⑱



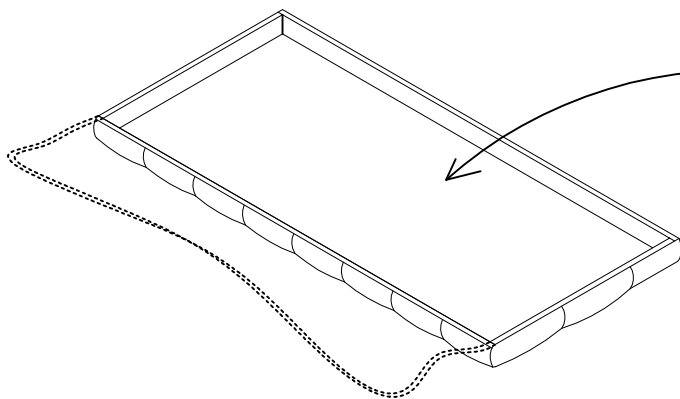
4PCS

# PARTS AND HARDWARE

## HARDWARE LIST:

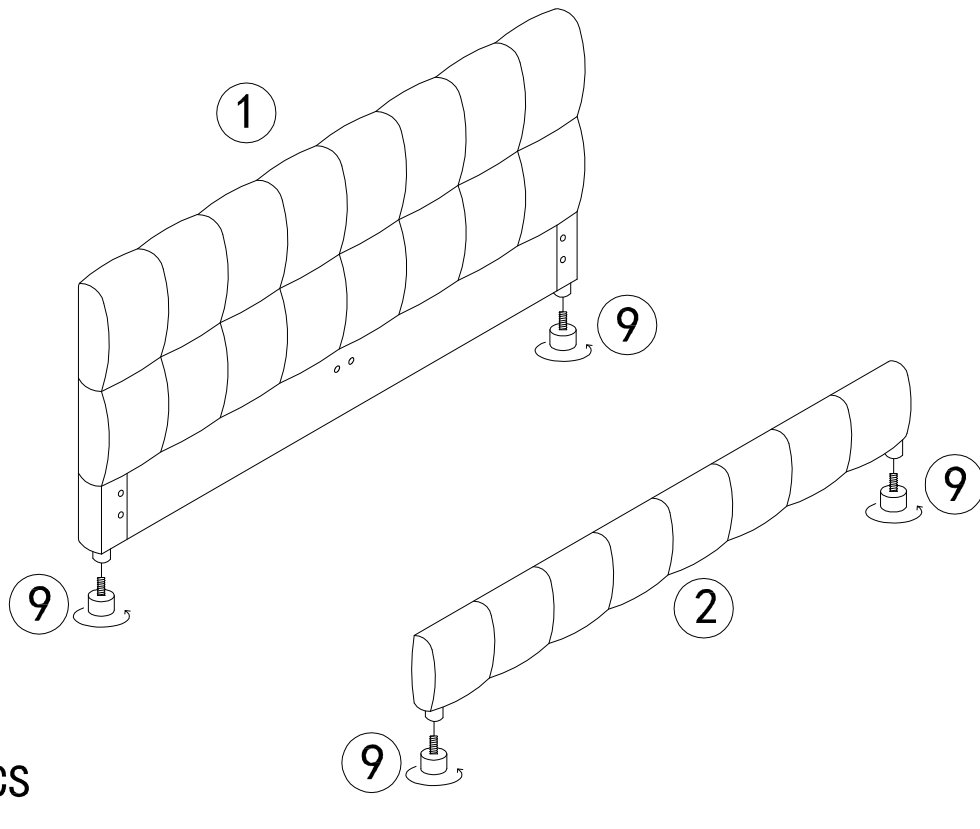
<p><b>A</b></p>  <p>m8*30mm    14PCS</p>	<p><b>B</b></p>  <p>m8*45mm    9PCS</p>	<p><b>C</b></p>  <p>m6*25mm    4PCS</p>	<p><b>D</b></p>  <p>m8    23PCS</p>
<p><b>E</b></p>  <p>m8*19mm    23PCS</p>	<p><b>F</b></p>  <p>m8    1PC</p>	<p><b>G</b></p>  <p>24PCS</p>	<p><b>H</b></p>  <p>24+2PCS</p>
<p><b>I</b></p>  <p>8*30mm</p> <p>24PCS</p>	<p><b>J</b></p>  <p>8*15mm</p> <p>64PCS</p>	<p><b>K</b></p>  <p>1PC</p>	

## STEP :Packing Details

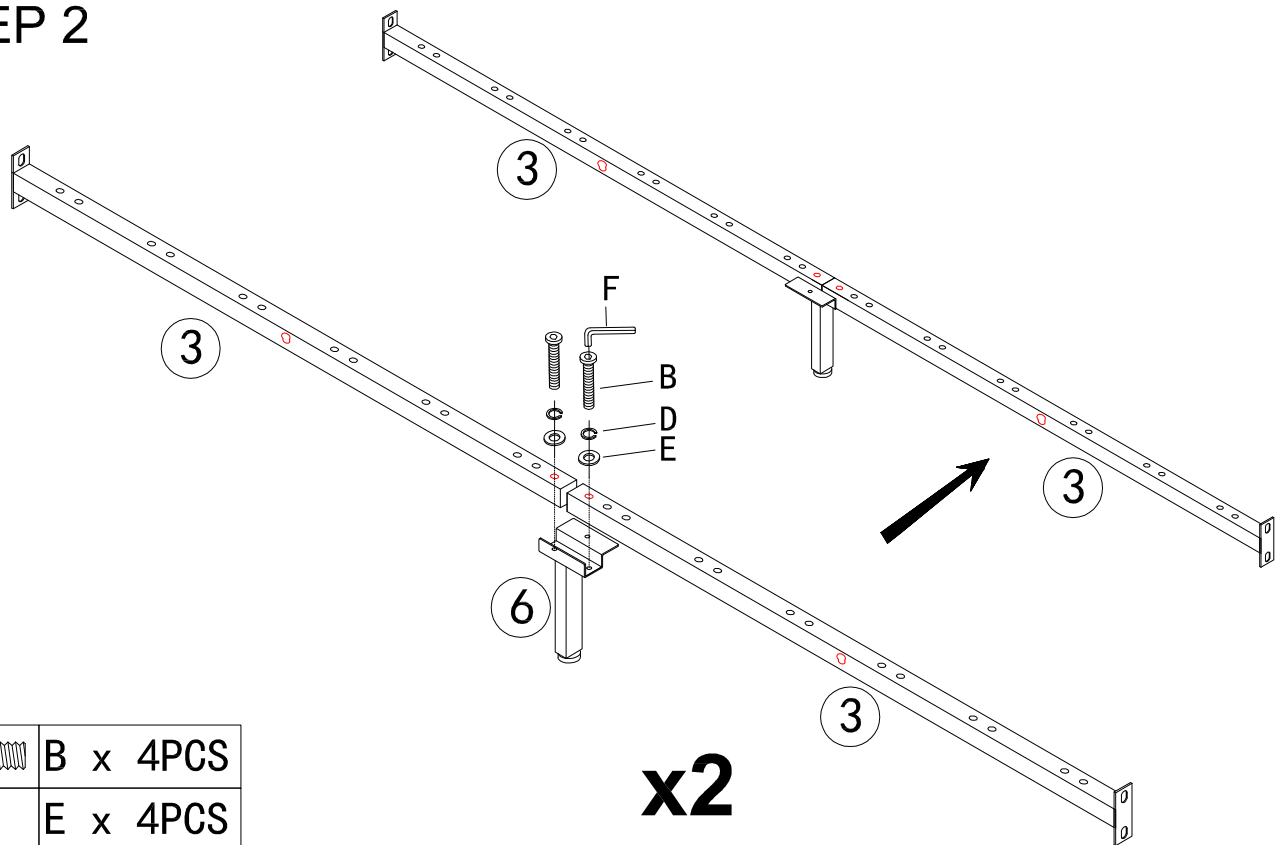






All components inside

# STEP 1

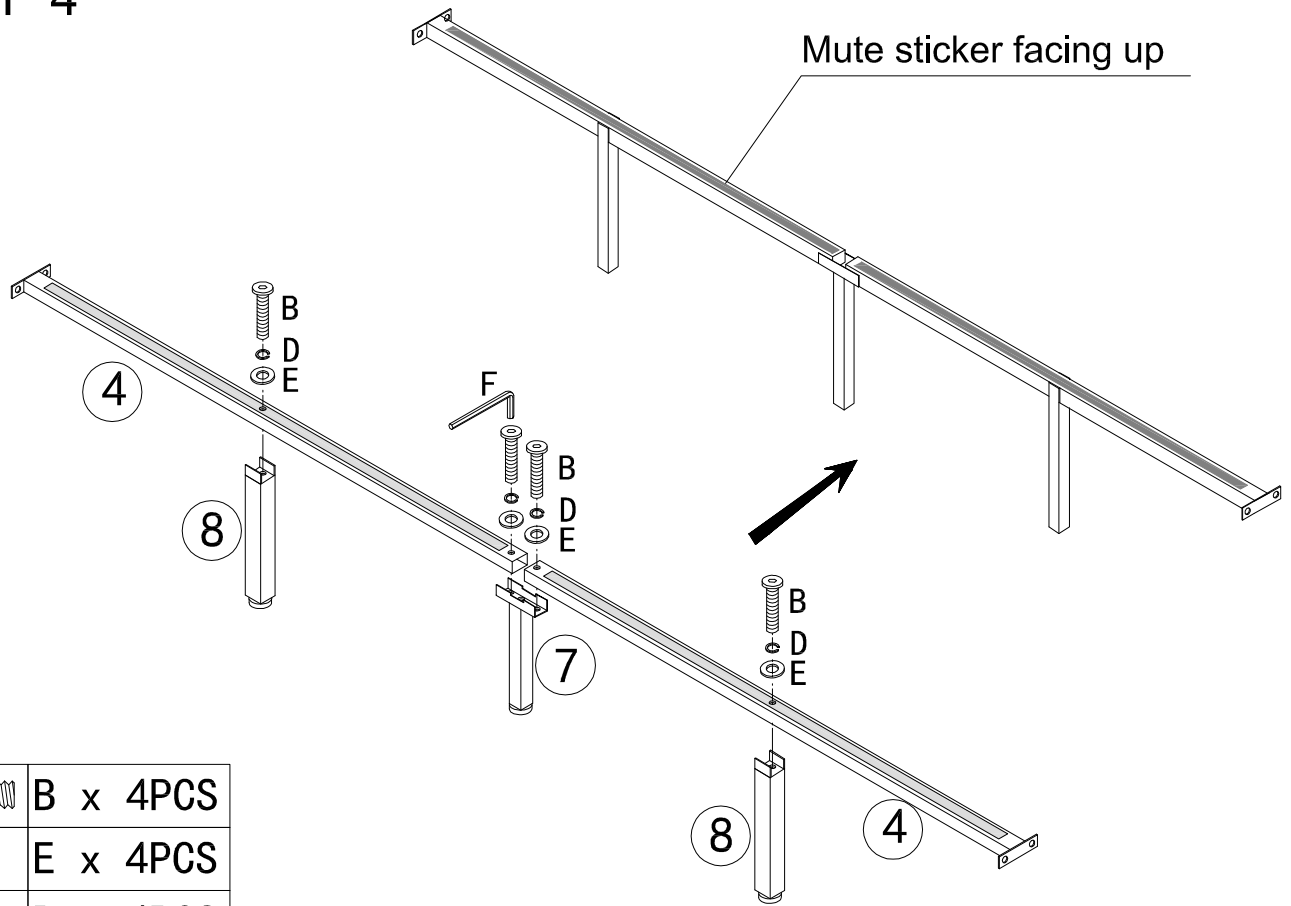






# STEP 2



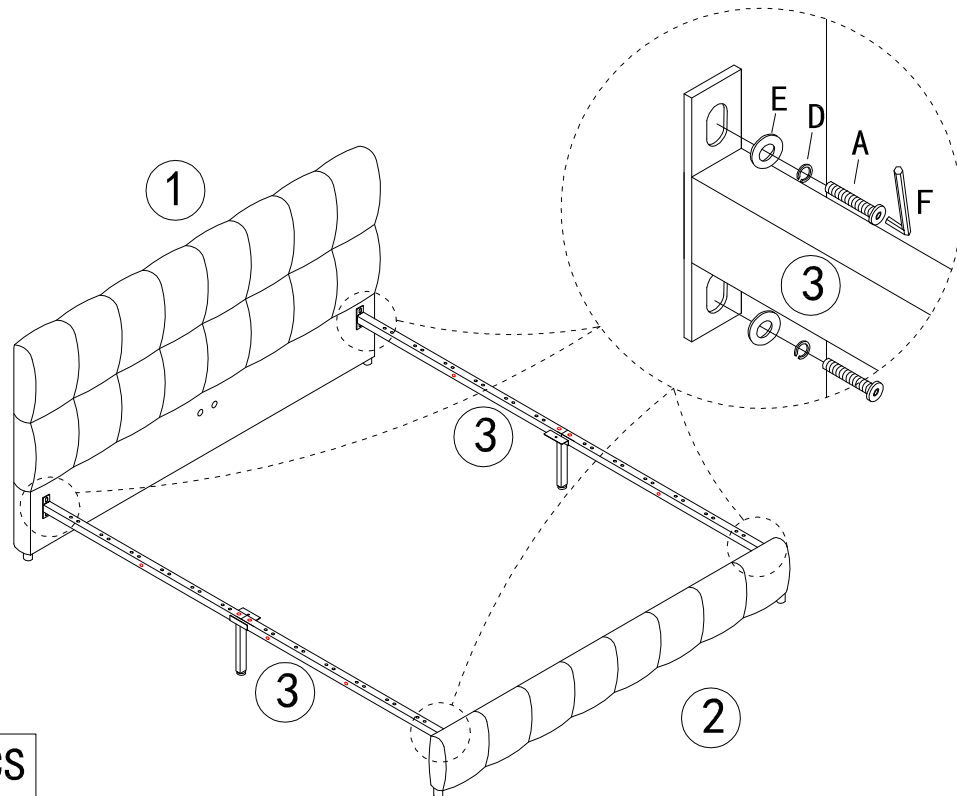
	B x 4PCS
	E x 4PCS
	D x 4PCS
	F x 1PC





# STEP 4



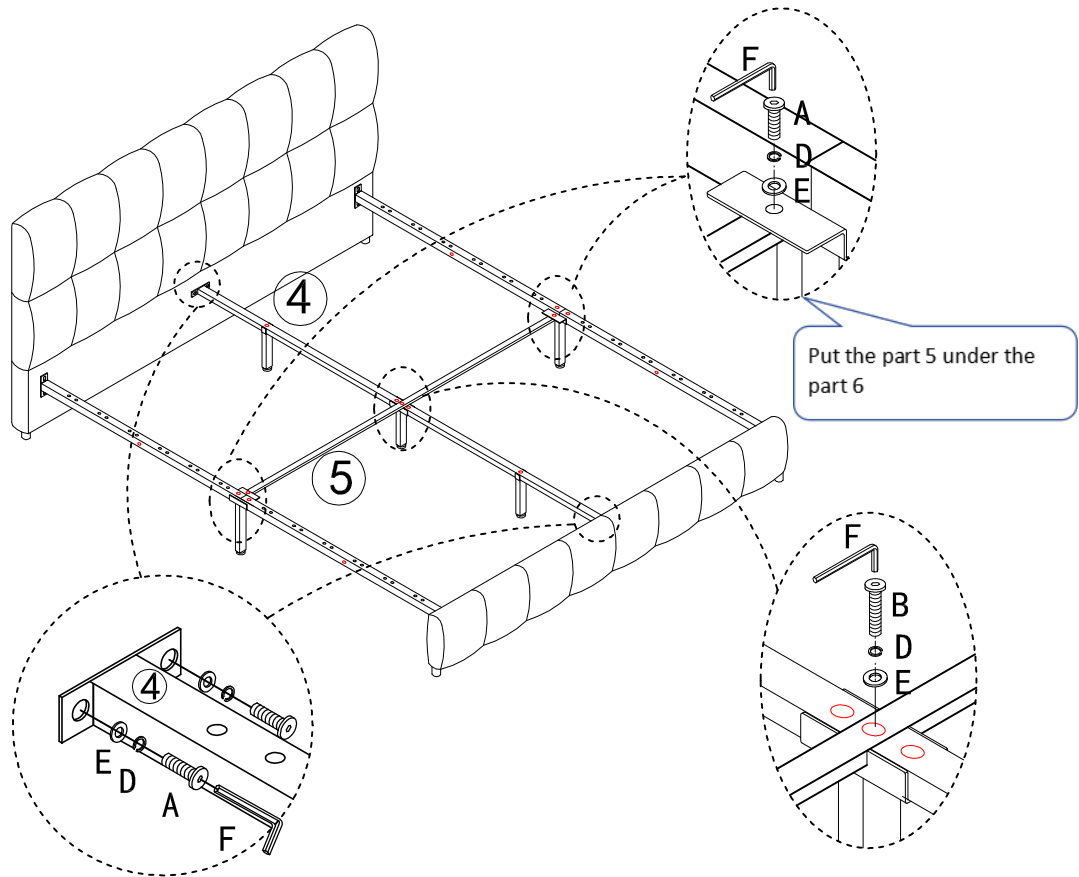
	B x 4PCS
	E x 4PCS
	D x 4PCS
	F x 1PC

# STEP 5



	A x 8PCS
	E x 8PCS
	D x 8PCS
	F x 1PC

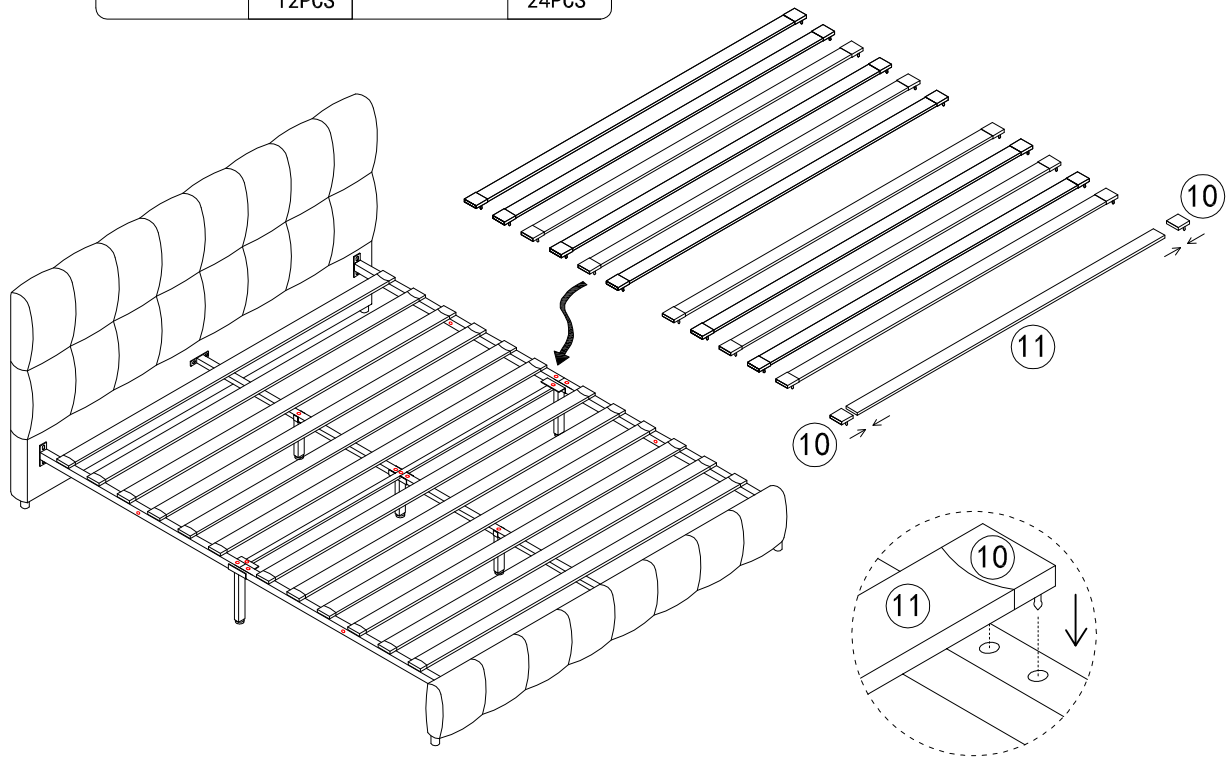
# STEP 5



	B x 1PCS
	A x 6PCS
	E x 7PCS
	D x 7PCS
	F x 1PC

# STEP 6

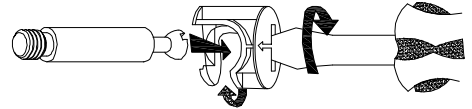
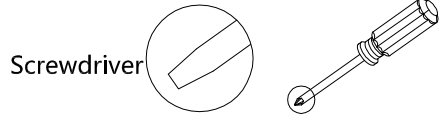
	⑪ Slat		⑩ Single Sided Plastic cap
	12PCS		24PCS



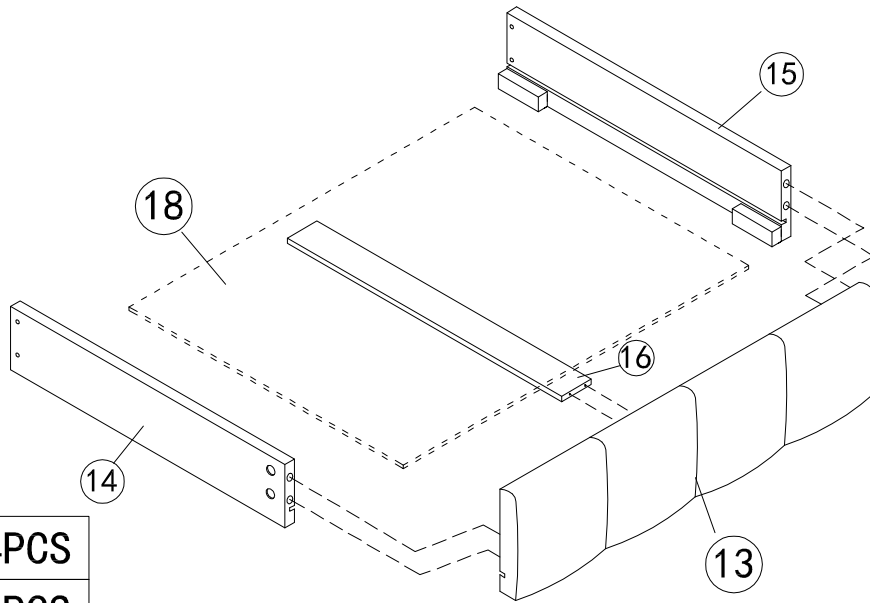
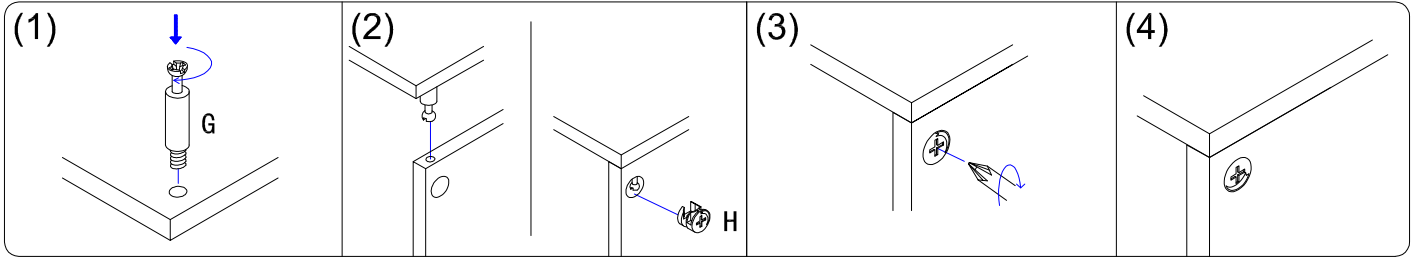
# STEP 9

THIS IS HOW A CAM NUT WORKS...



ASSEMBLY TOOLS REQUIRED (NOT INCLUDED)



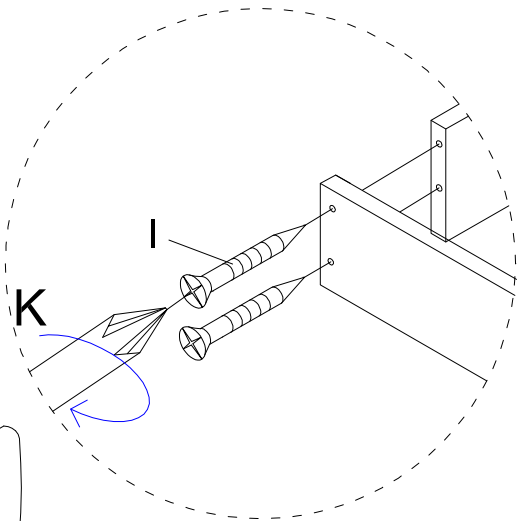
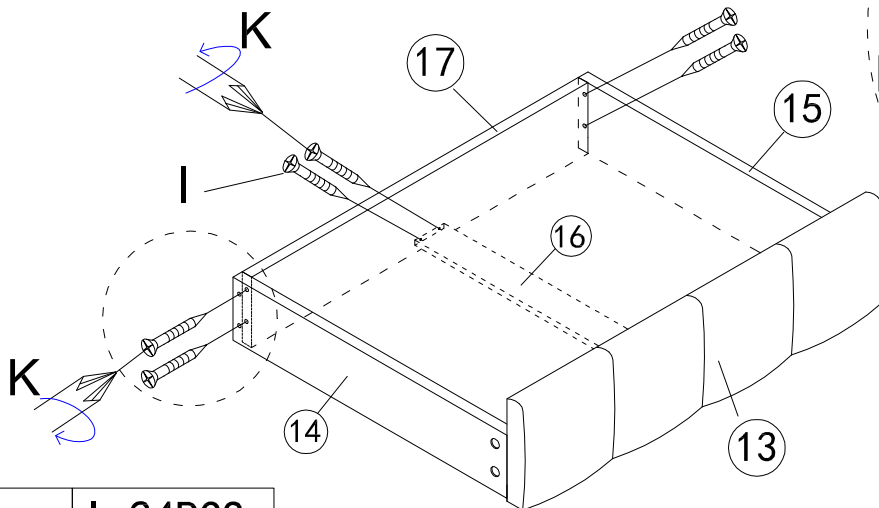
THE HEAD OF BOLT GOES INTO THE WIDE MOUTH OF THE CAM NUT. YOU THEN TURN THE NUT SO THE NARROW PART CLOSES OVER THE BOLT.




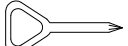
**x4**

	Gx24PCS
	Hx24PCS

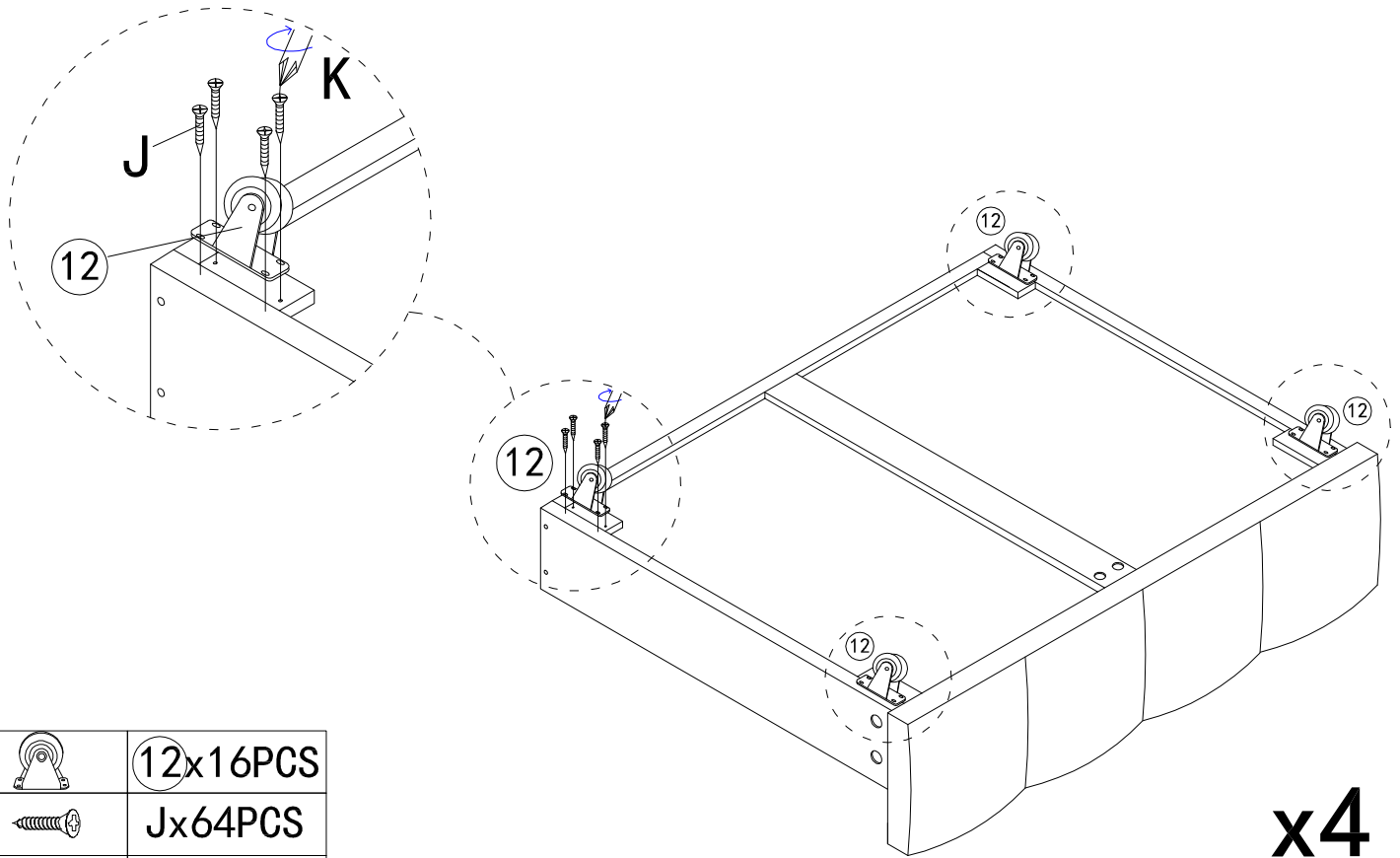
# STEP 10



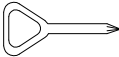


**x4**

	I x24PCS
	K x1PC

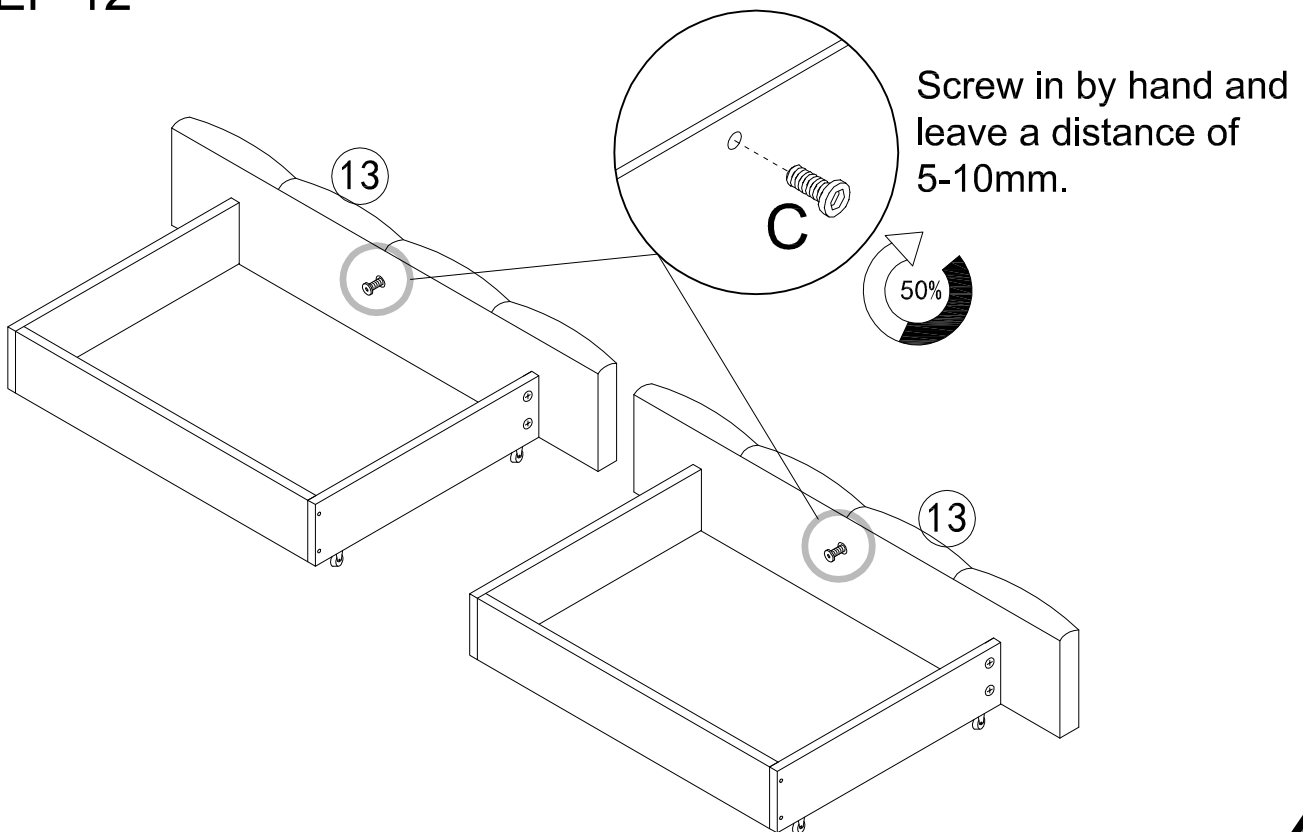
# STEP 11



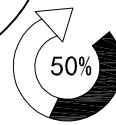
	12x16PCS
	Jx64PCS
	Kx1PC

**x4**


# STEP 12



Screw in by hand and leave a distance of 5-10mm.

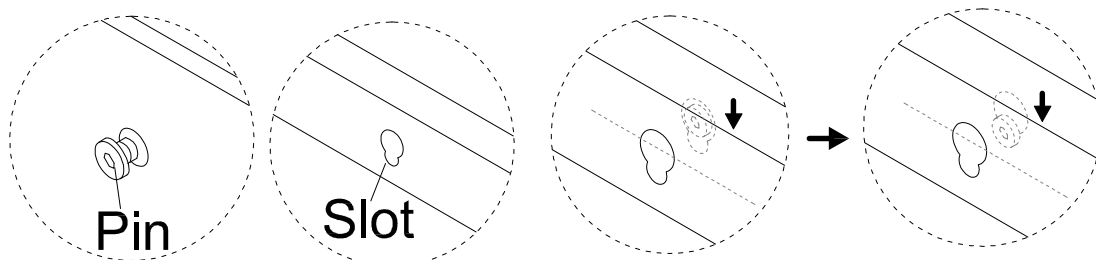


**x4**

	C x4PCS
--	---------

# STEP 13

Drawer panel screw hang into side cross beam hole.



There is a screw head on the drawer board. Hang them in the hole as shown in the figure.

