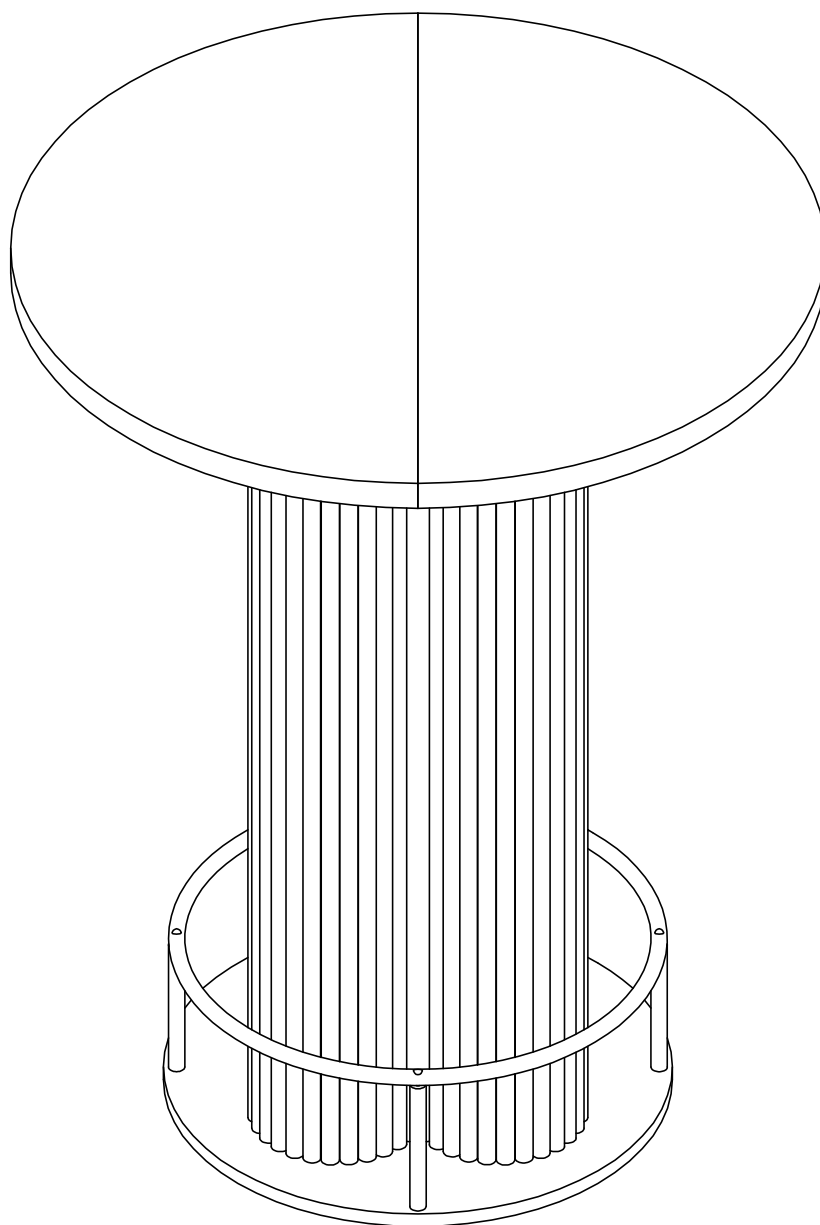


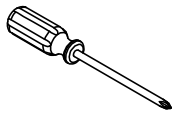
Installation Instruction



Assembling

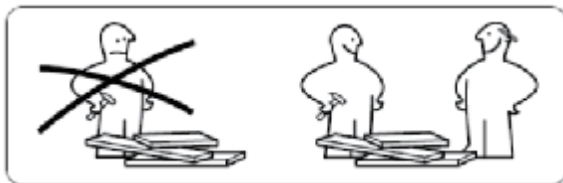
What you need

- Use the packaging carton as a working surface to prevent product damage during assembly
- Phillips head screwdriver



Weight Limitation

 **100** | **35**
lbs table top lbs per

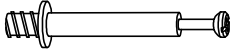


What' included

Code	Description	Qty
A	Cam Bolt M6X35MM	11
B	Cam Lock 15X9MM	11
C	Screw M6X22MM	12
D	Wrench M4X55MM	1
E	EVA foot mat	6
F	Hole position sticker	11
G	Screw M4X40MM	32
H	Wooden Dowel M8X30MM	6
I	Arc-shaped plastic pad	4
J	Gasket	8
K	Screw M6X30MM	4

The Hardwares

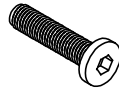
(A)



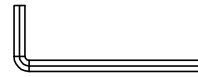
(B)



(C)



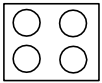
(D)



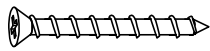
(E)



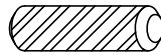
(F)



(G)



(H)



(I)



(J)



(K)



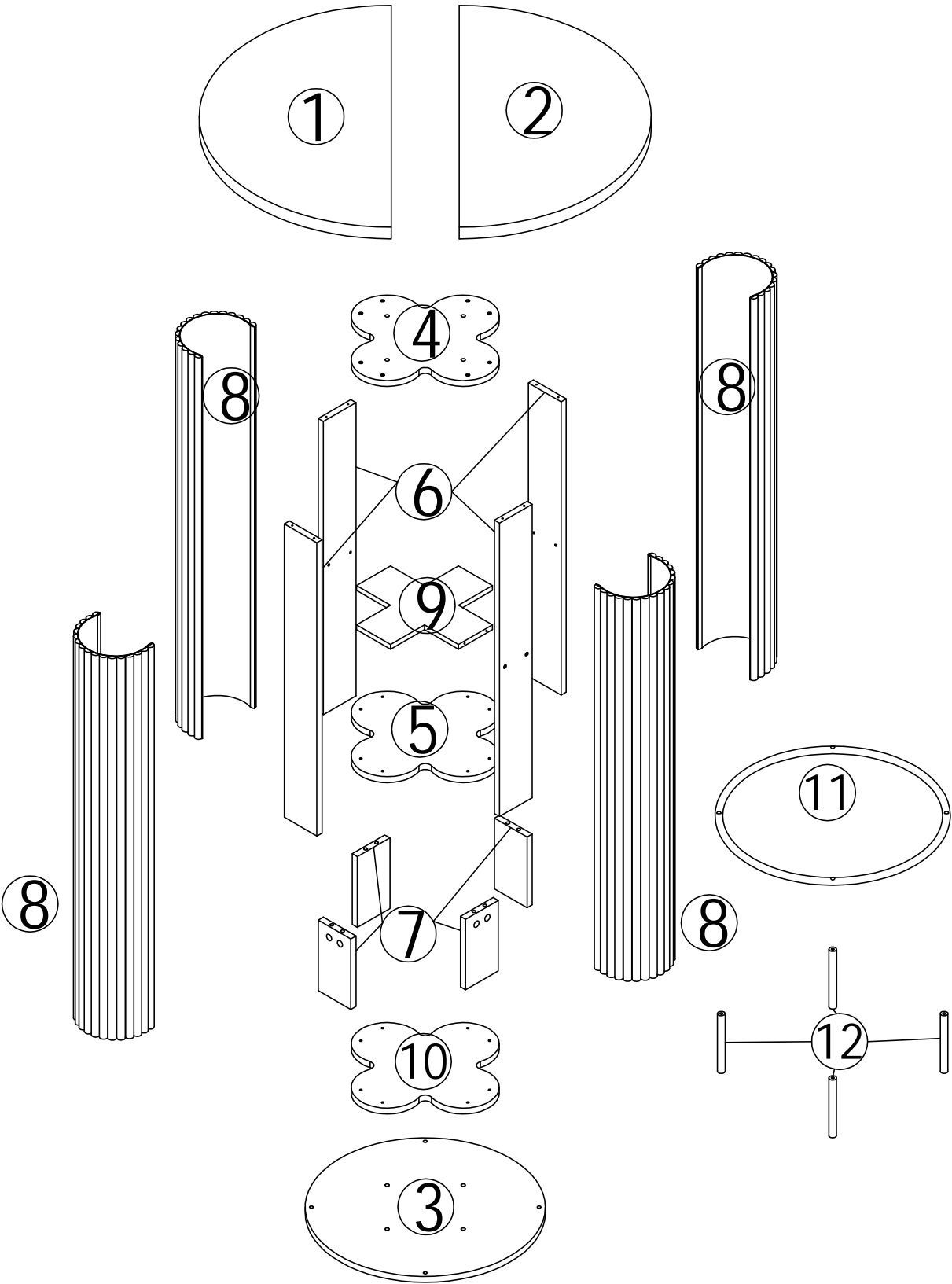
IMPORTANT:

1. Do not tighten bolts / screws completely until all bolts / screws are lined up and inserted into holes.
2. Do not over tighten screws and bolts to avoid stripping
3. Please use hand tools to assemble this product, you can also use power tools (please use power tools carefully)

Included Accessories

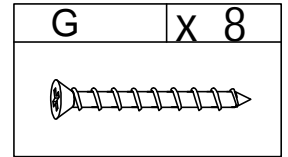
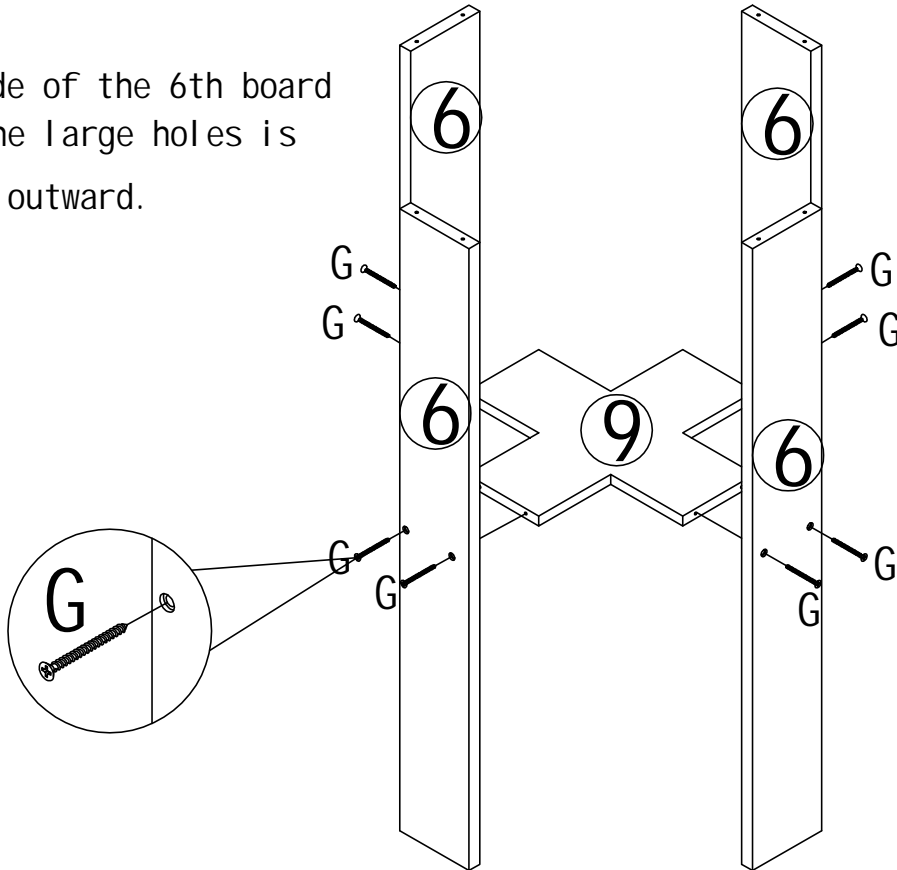
Code	Description	Qty
1	Left panel	1
2	Right panel	1
3	Base plate	1
4	Upper connecting plate	1
5	Intermediate connection plate	1
6	Upper support plate	4
7	Lower support plate	4
8	Curtain	4
9	Cross-layered board	1
10	Lower connecting plate	1
11	Iron ring	1
12	Supporting tube	4

The Accessoriss

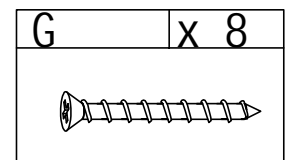
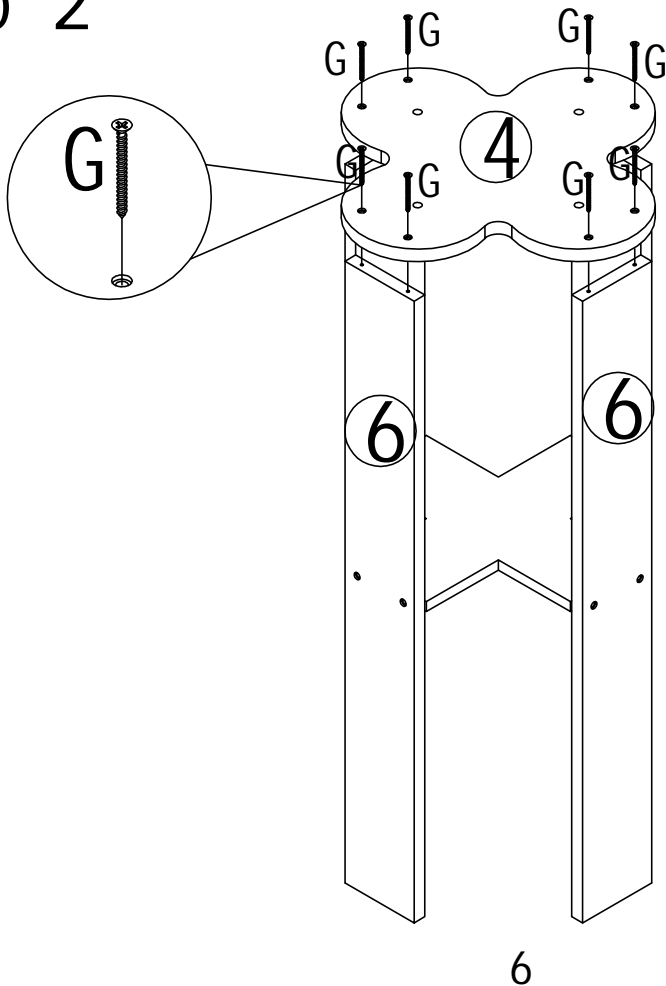


Step 1

The side of the 6th board with the large holes is facing outward.

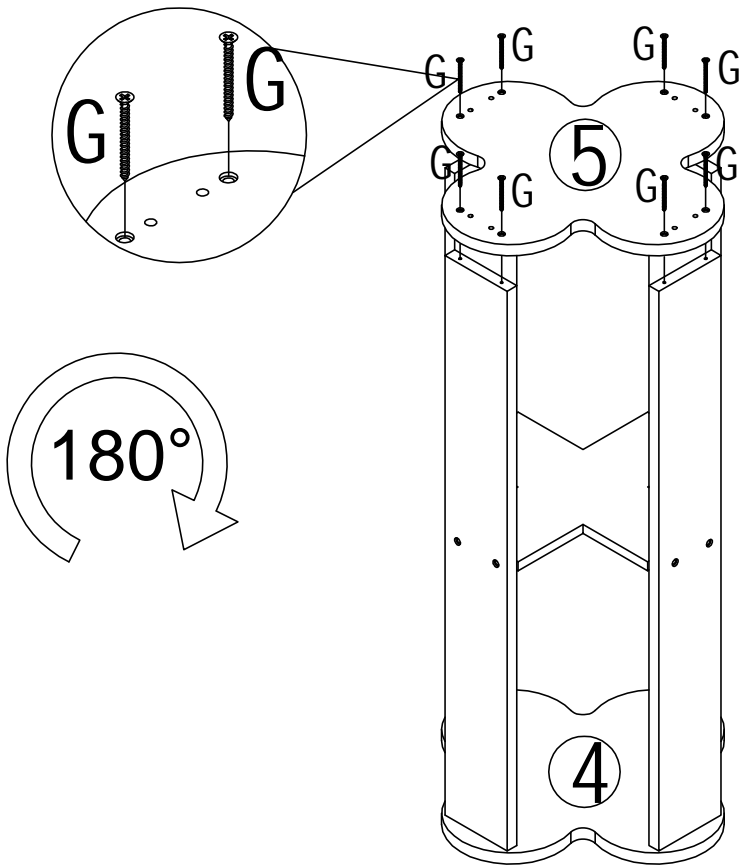
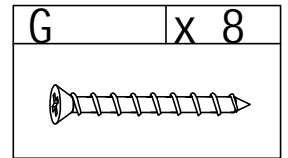


Step 2



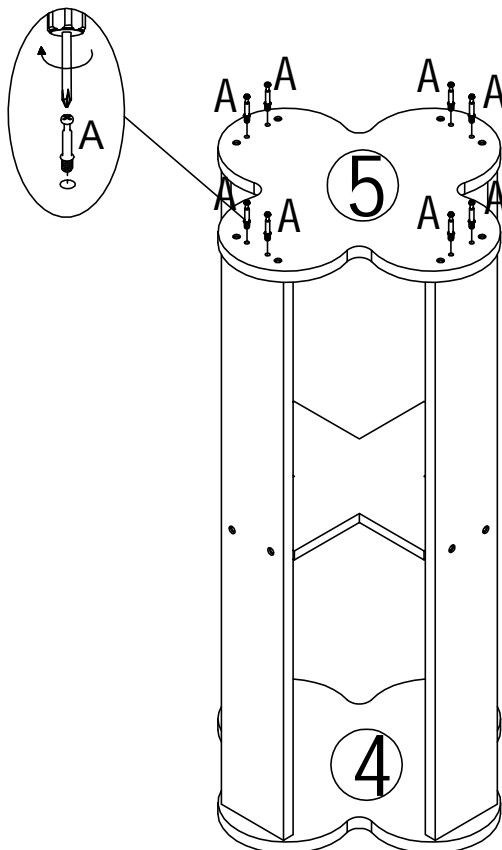
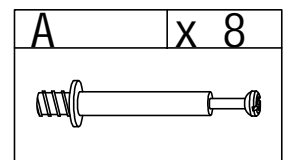
The side of the 4th board with the large holes is facing upwards.

Step 3

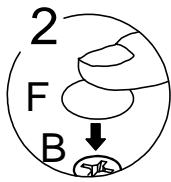
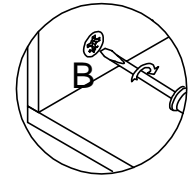
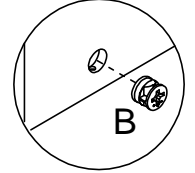
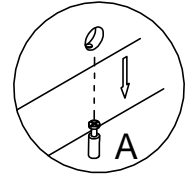
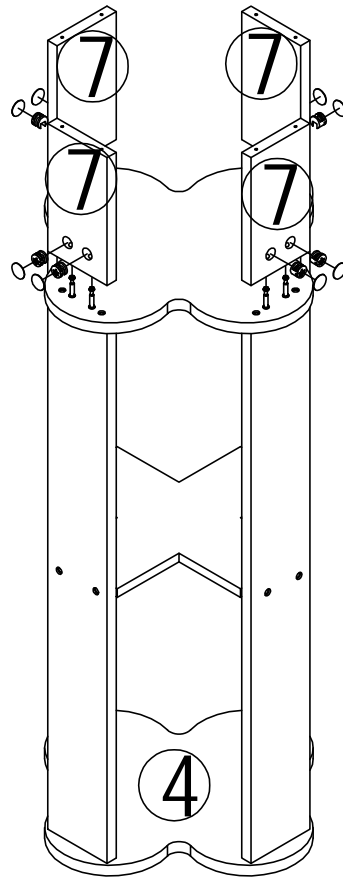
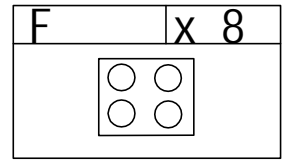
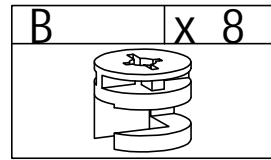


Note: The side of the 5th board with the four holes on the "flower pattern" edge should be facing upwards.

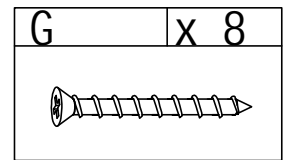
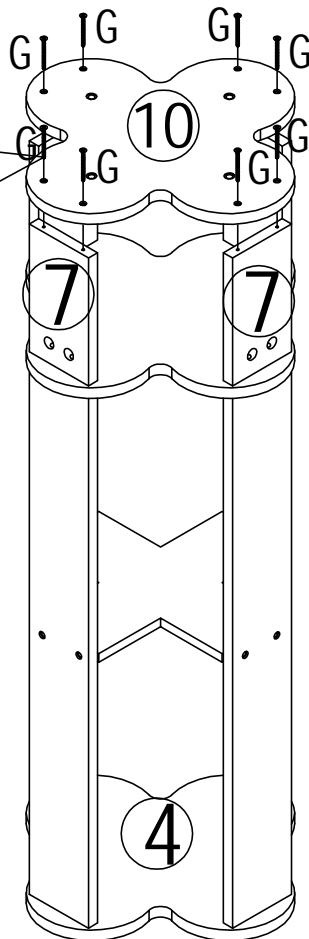
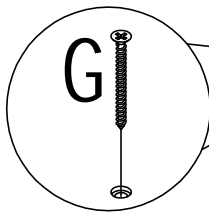
Step 4



Step 5

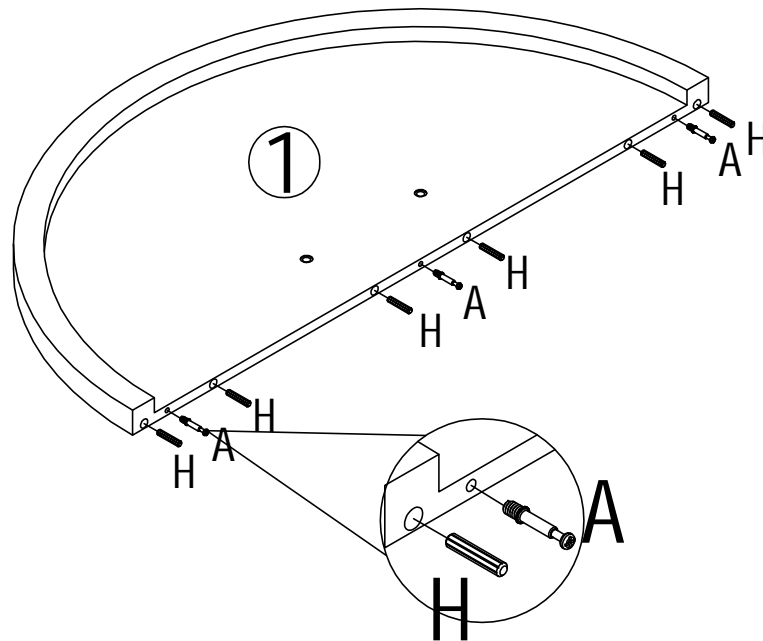
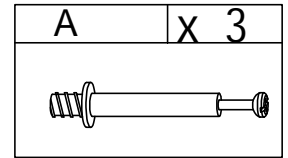
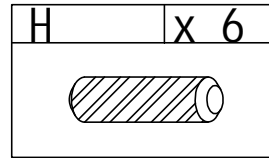


Step 6

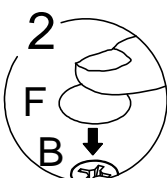
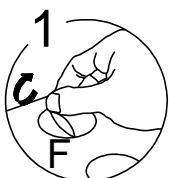
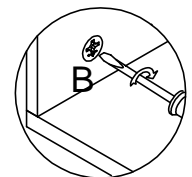
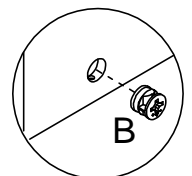
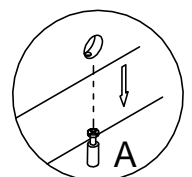
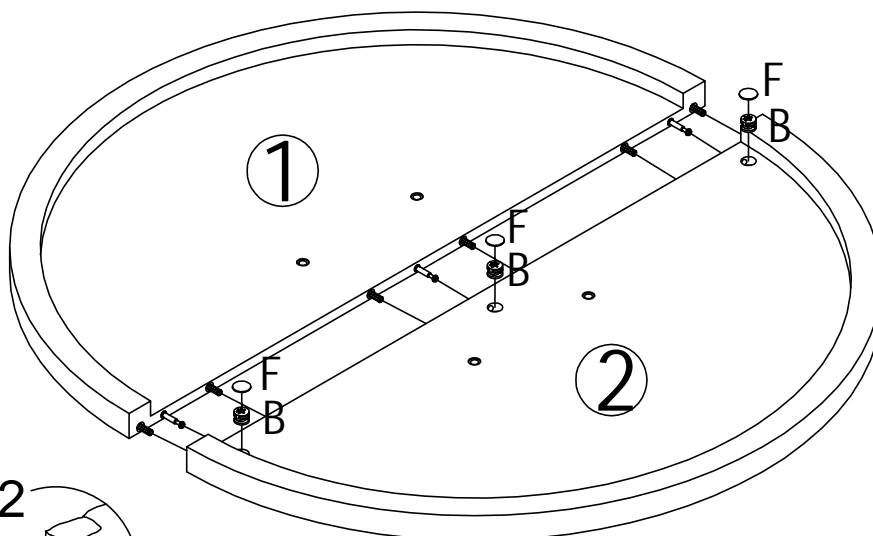
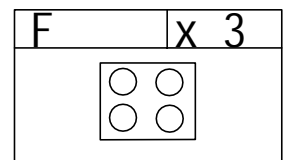
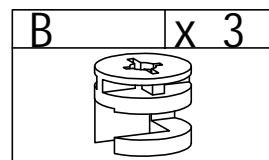


The side of the 10th board with the large holes is facing upwards.

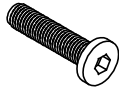

Step 7

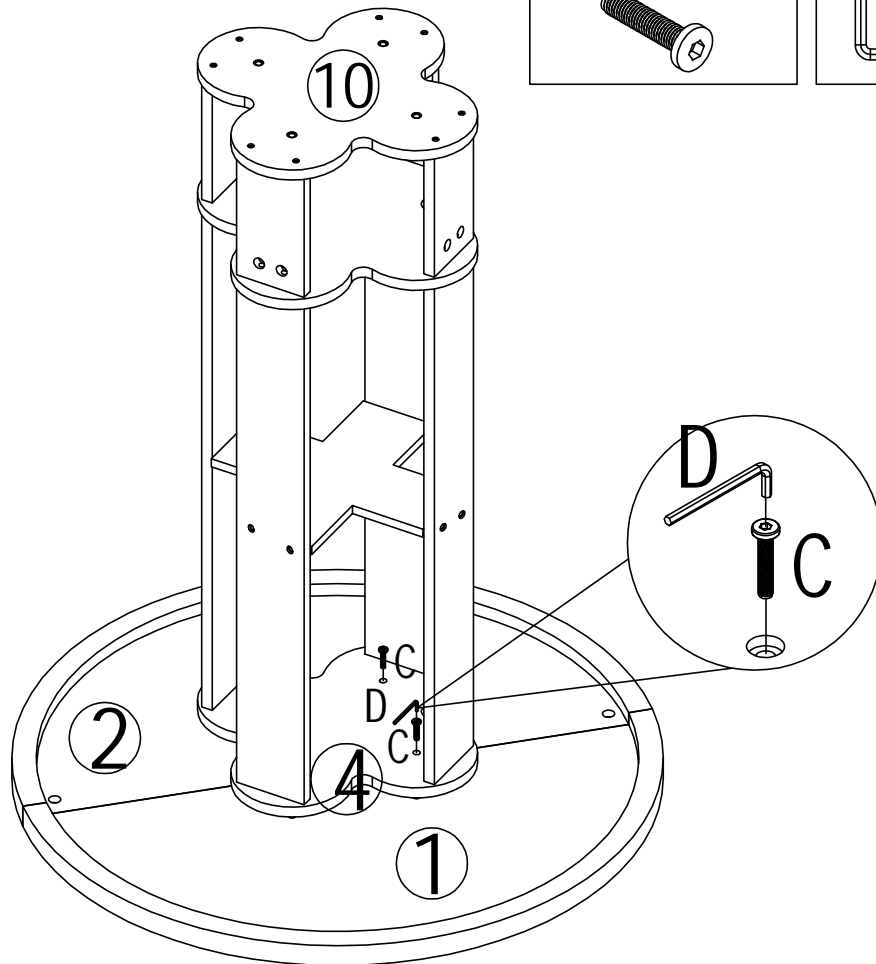


Step 8

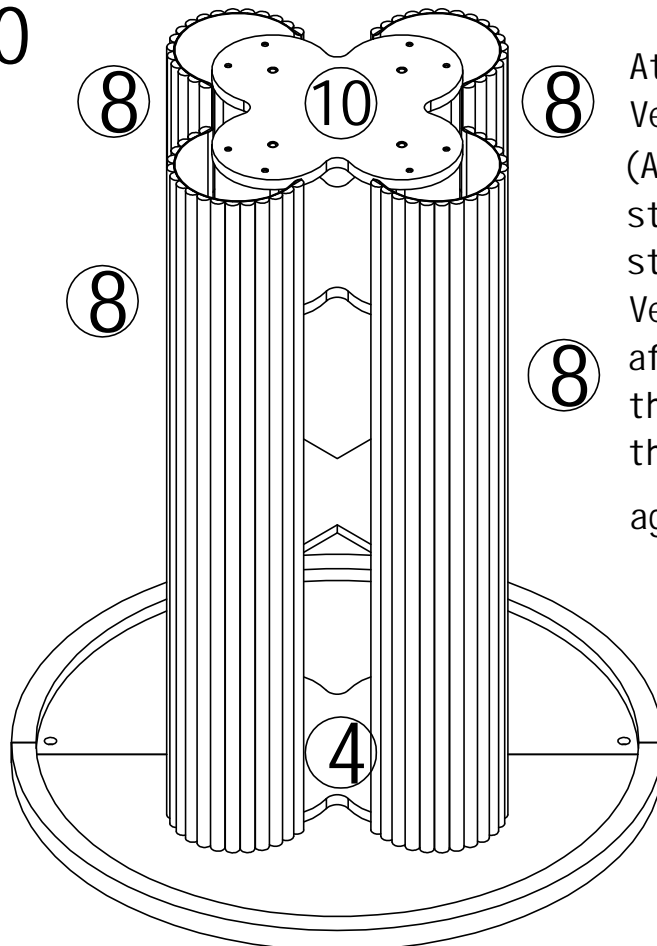


Step 9

C	x 4	D	x 4
			

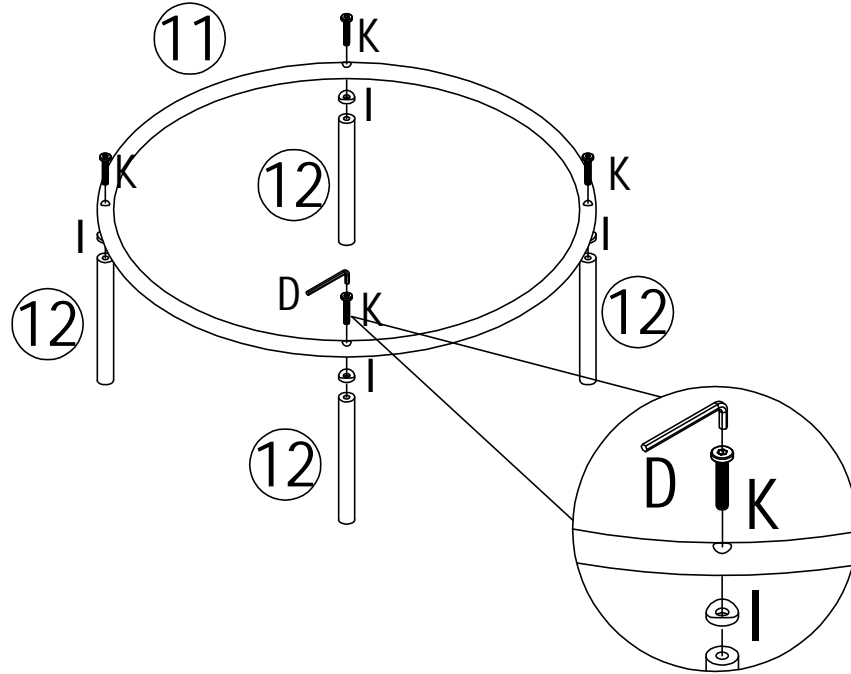
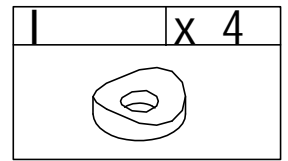
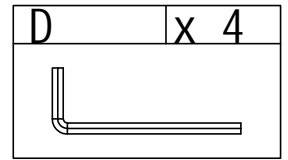
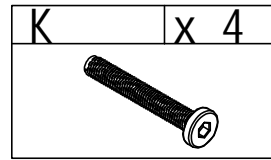


Step 10

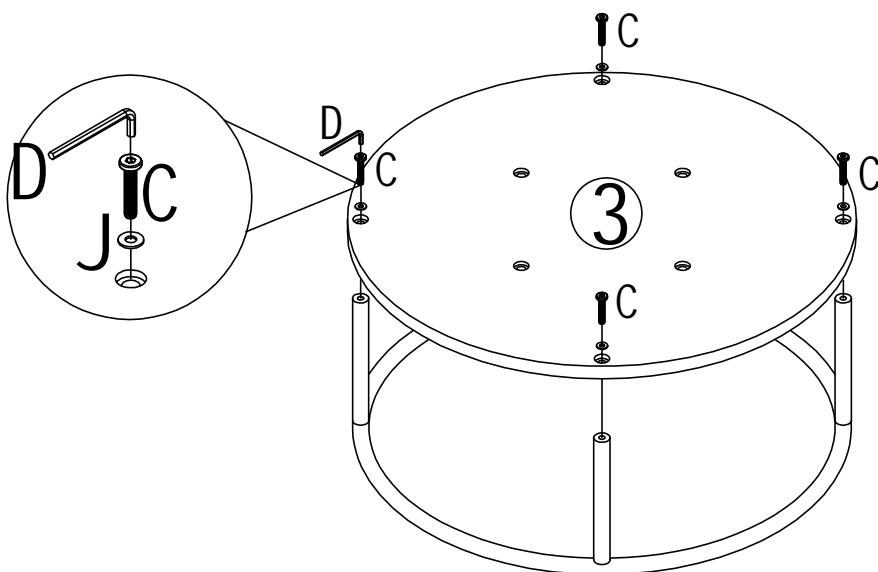
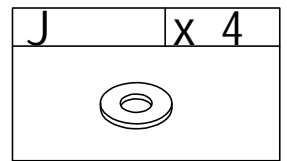
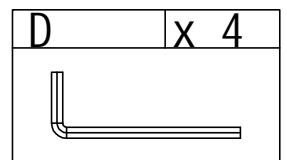
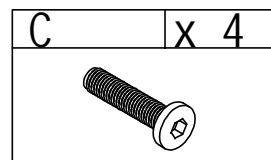


Attach Board 8 neatly to the Velcro of Board 4 and 10 (Attention: Please fully stretch Board 8 and then stick it tightly along the Velcro to avoid gaps that affect the appearance. If there are obvious gaps, tear them off and stick them again.)

Step 11

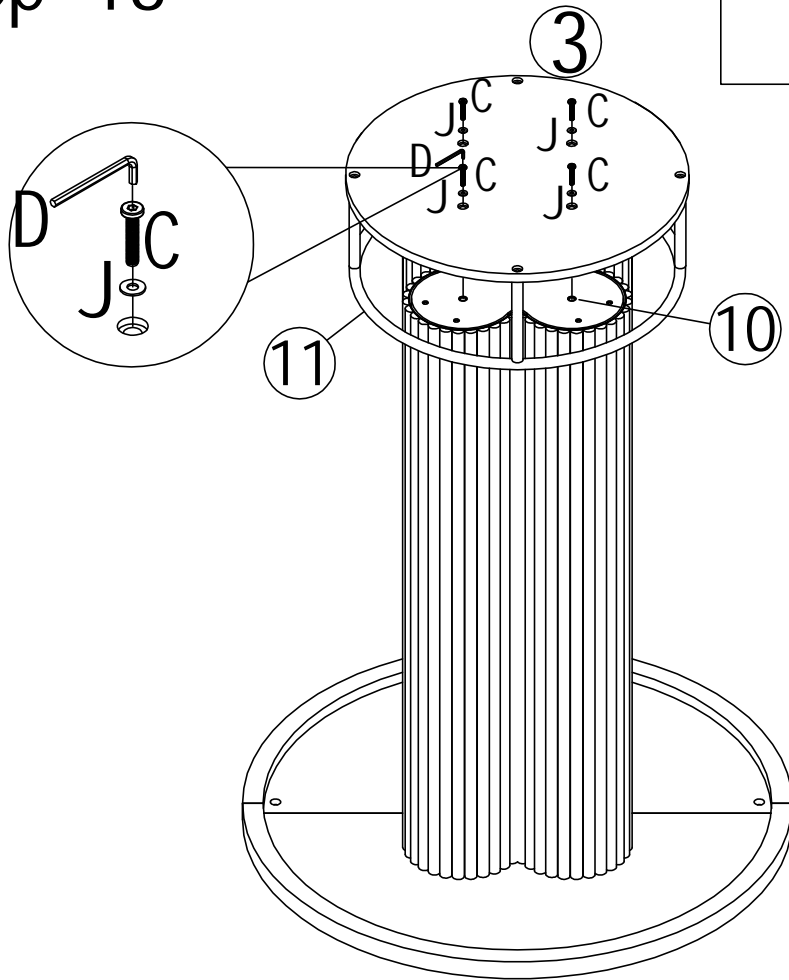


Step 12



The side of the 3th board with the large holes is facing upwards.

Step 13

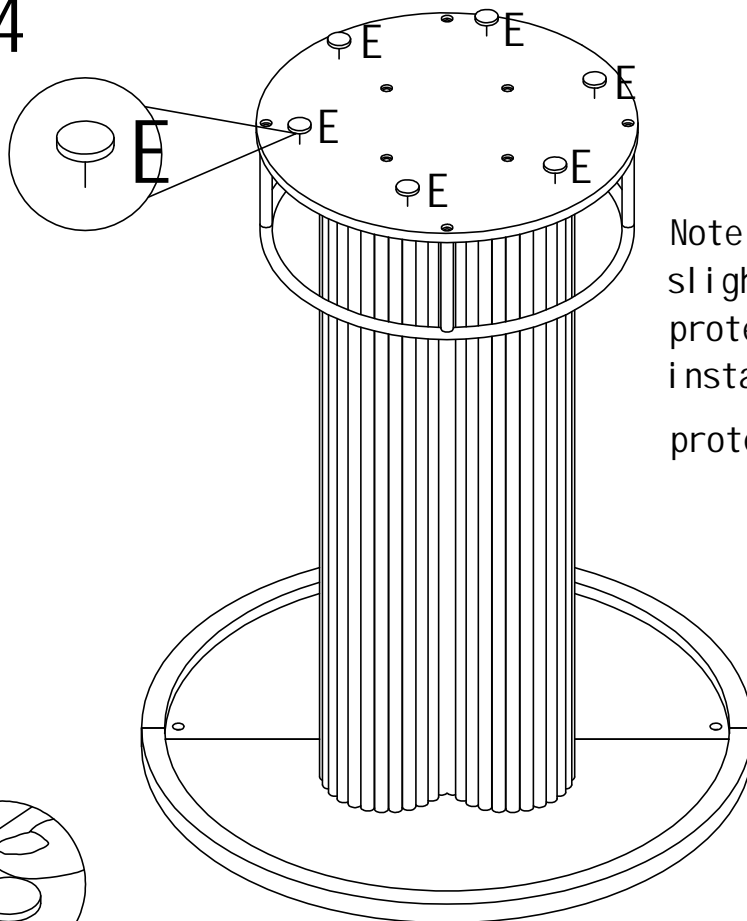


C	x 4

D	x 4

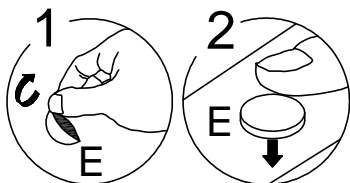
J	x 4

Step 14



E	x 6

Note: The table may wobble slightly with floor protectors installed. Skip installation if floor protection is unnecessary.



Step 15

