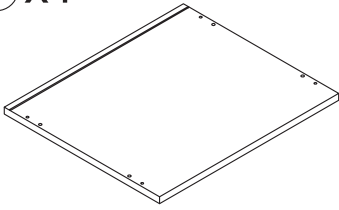
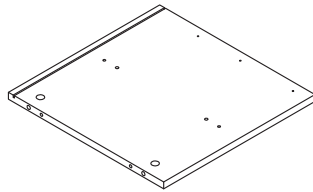


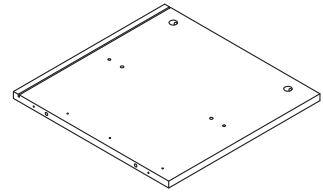
① x1



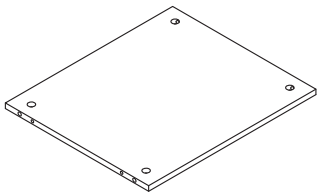
② x1



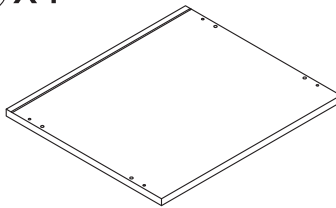
③ x1



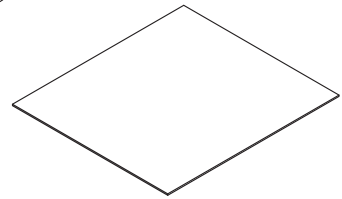
④ x1



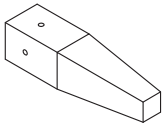
⑤ x1



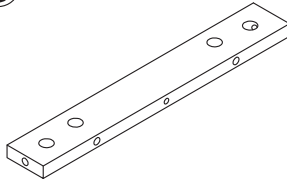
⑥ x1



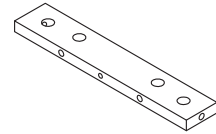
⑦ x4



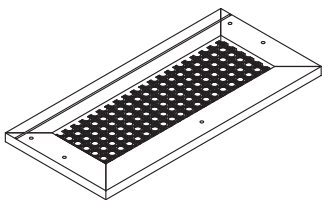
⑧ x2



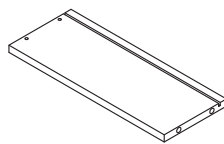
⑨ x2



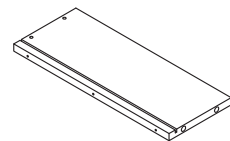
⑩ x1



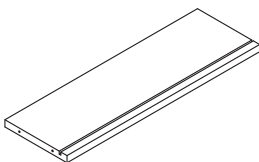
⑪ x1



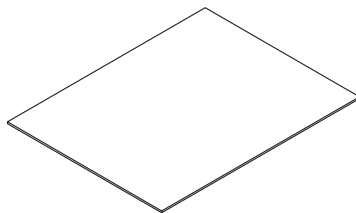
⑫ x1



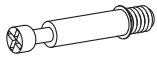
⑬ x1



⑭ x1



A X28(+2)



Ø6x35mm

B X28(+2)



Ø15x10mm

C X16(+1)



Ø6x30mm

D X12(+1)



Ø3x12mm

E X9(+1)



Ø4x40mm

F X4



G X4(+1)



Ø3x16mm

H X4(+1)



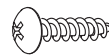
I X1



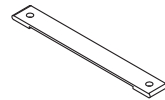
J X1



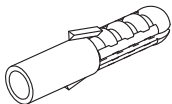
L X1



M X1



O X1



CL X1



L300mm

CR X1



L300mm

DL X1



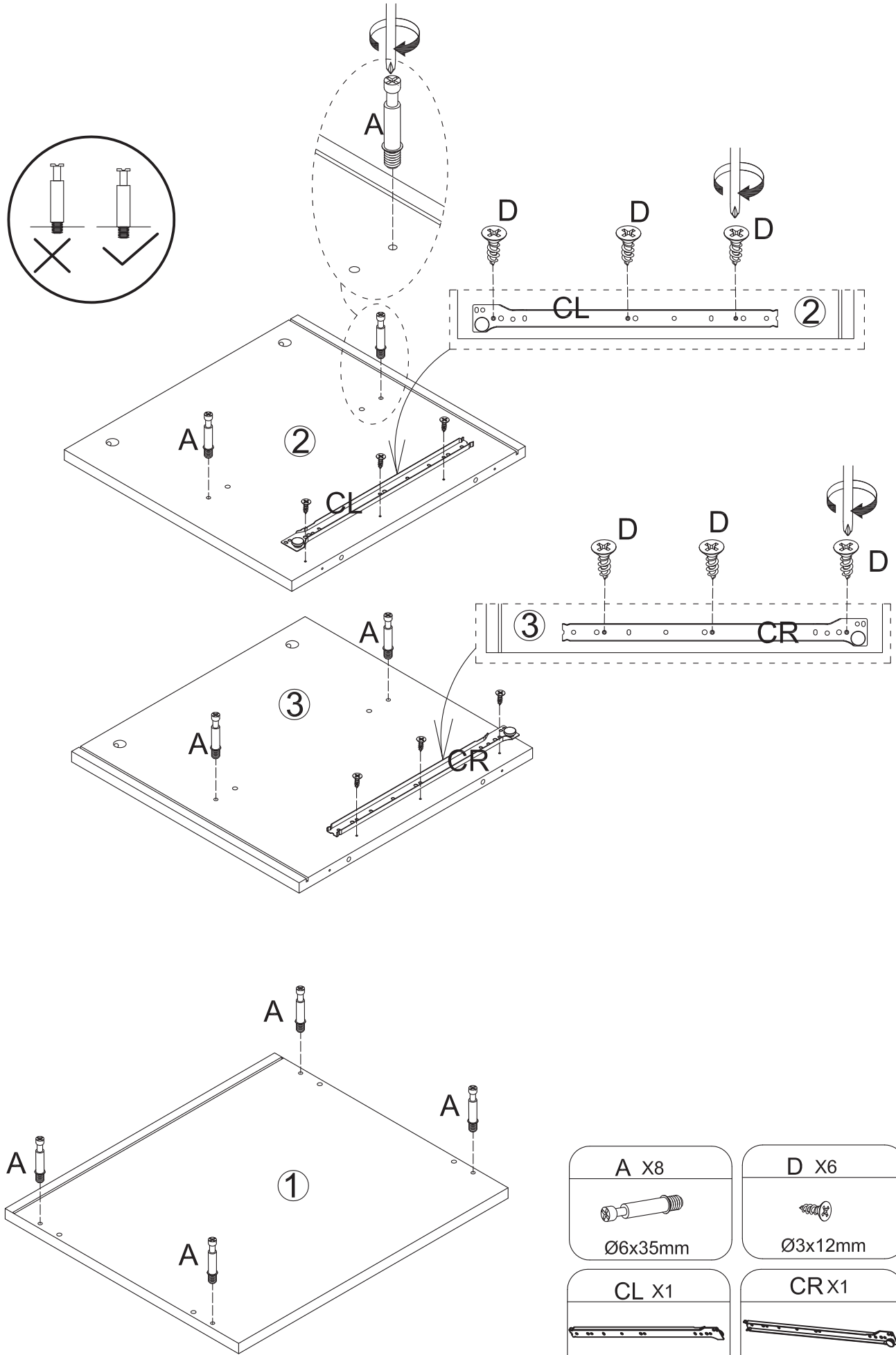
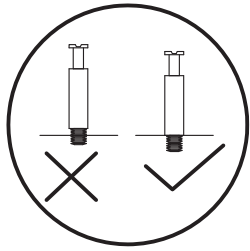
L300mm

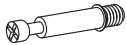
DR X1





L300mm


1

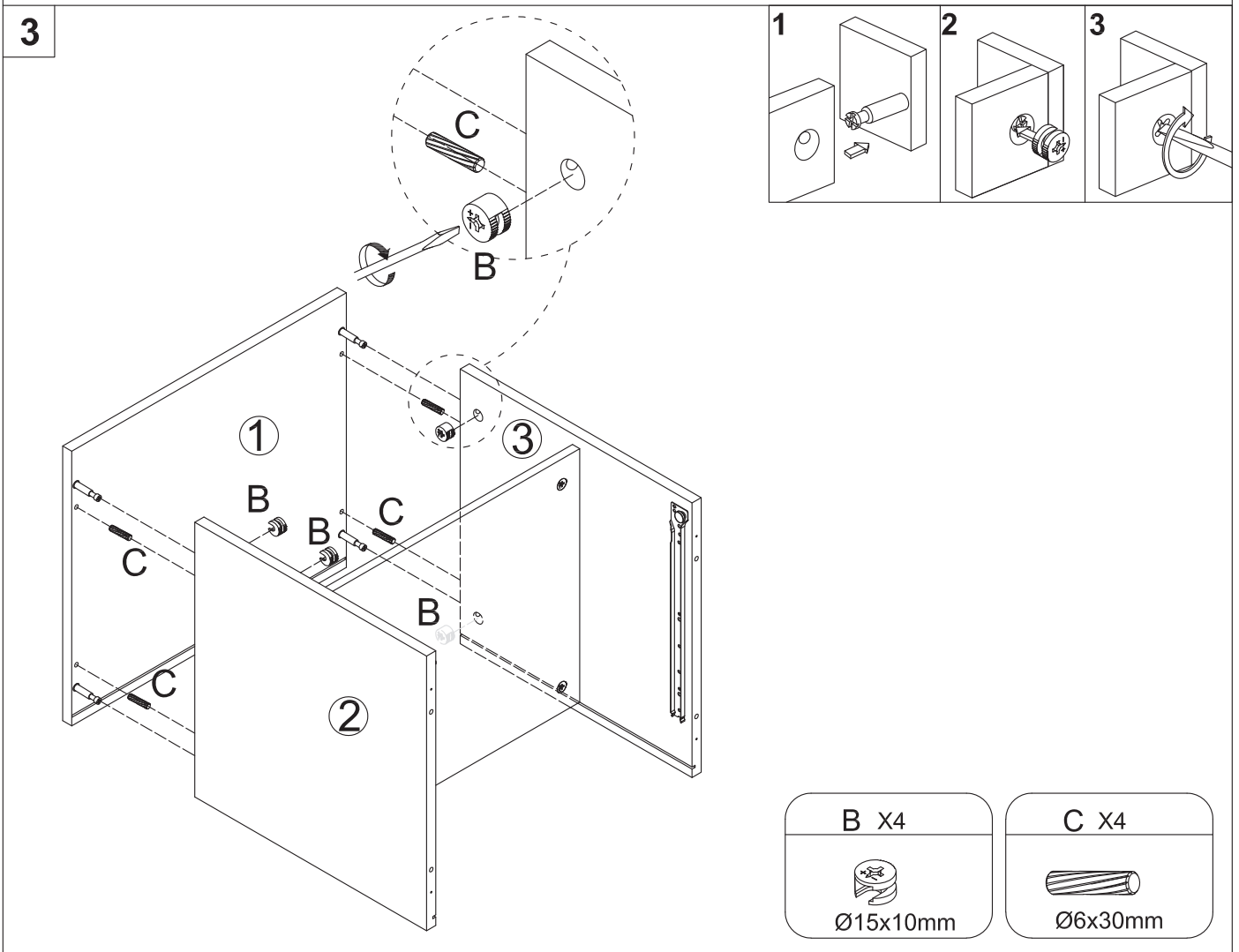
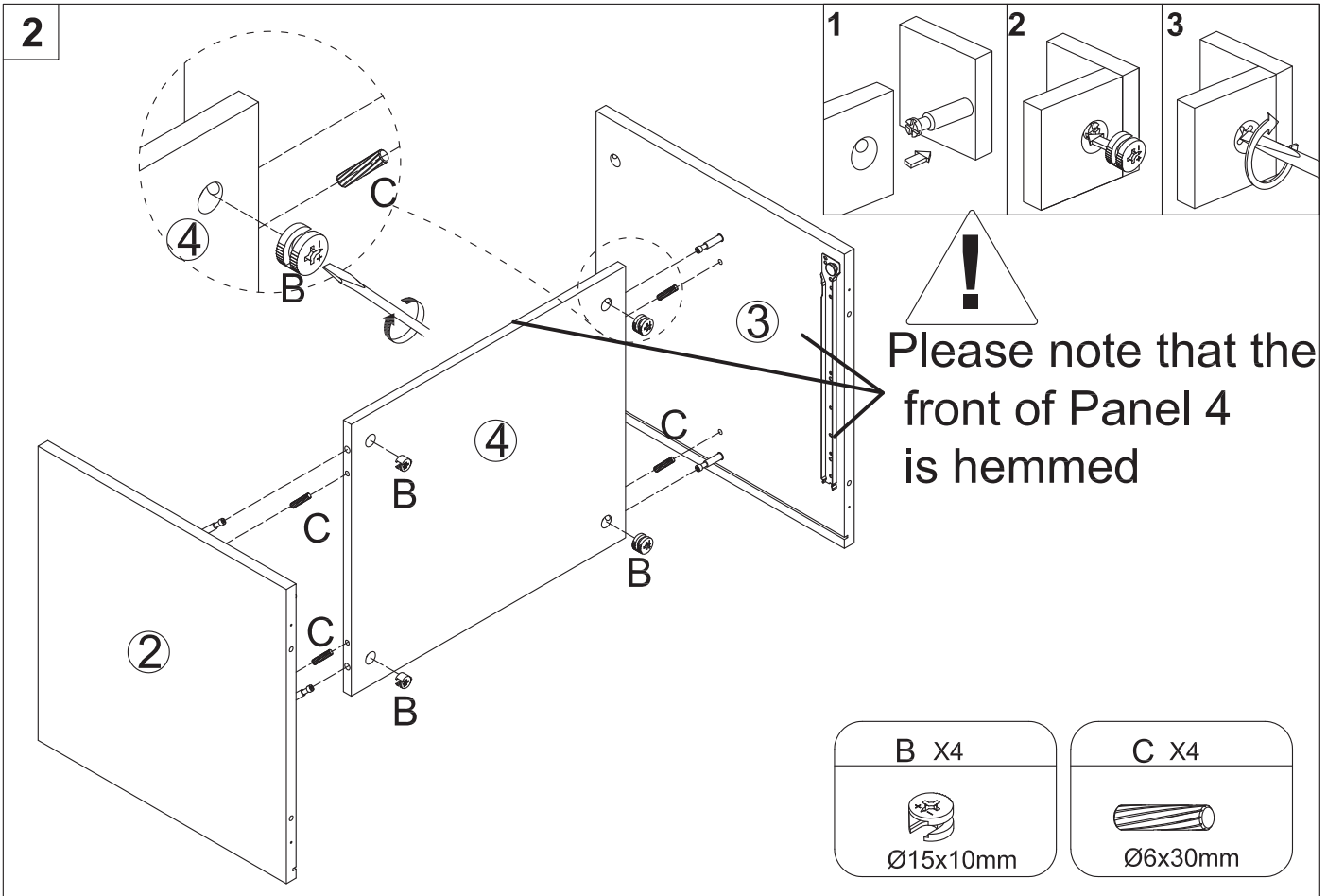


<b>A X8</b>

Ø6x35mm

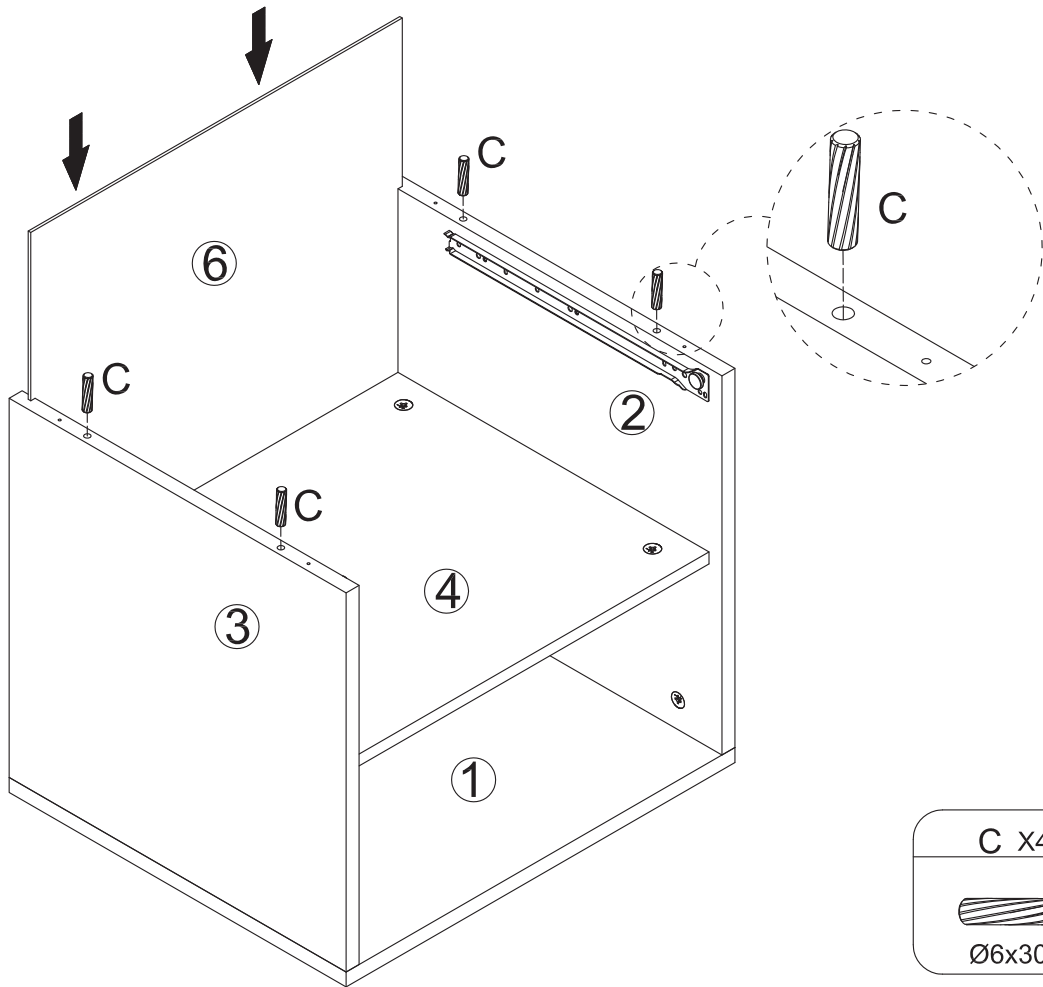
<b>D X6</b>

Ø3x12mm

<b>CL X1</b>

L300mm

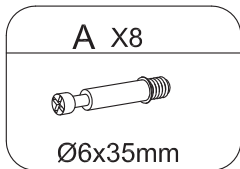
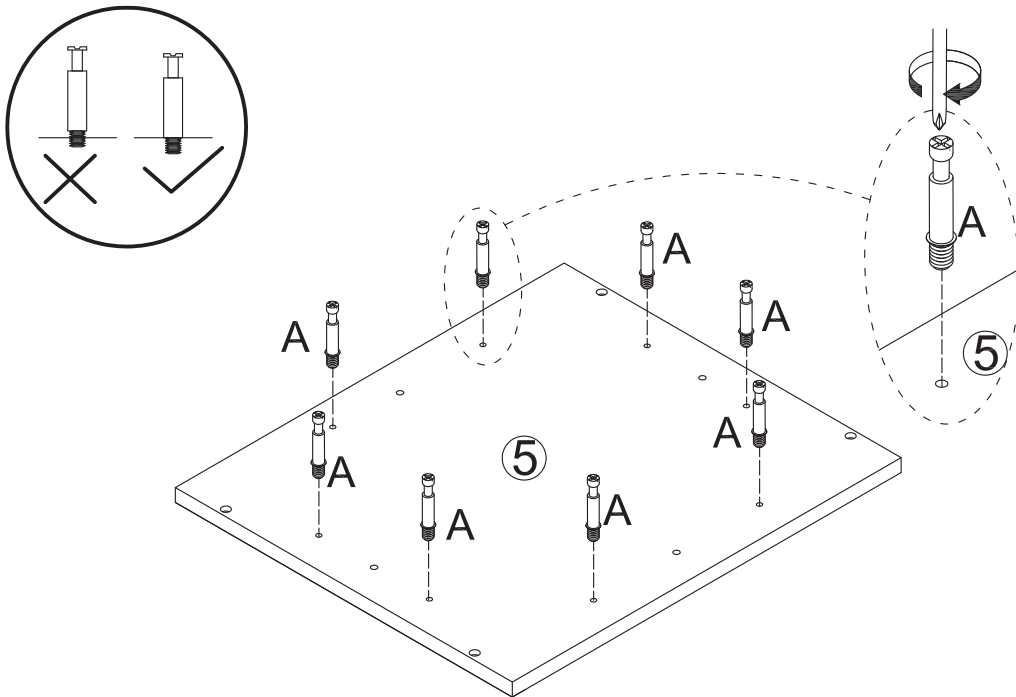
<b>CR X1</b>

L300mm



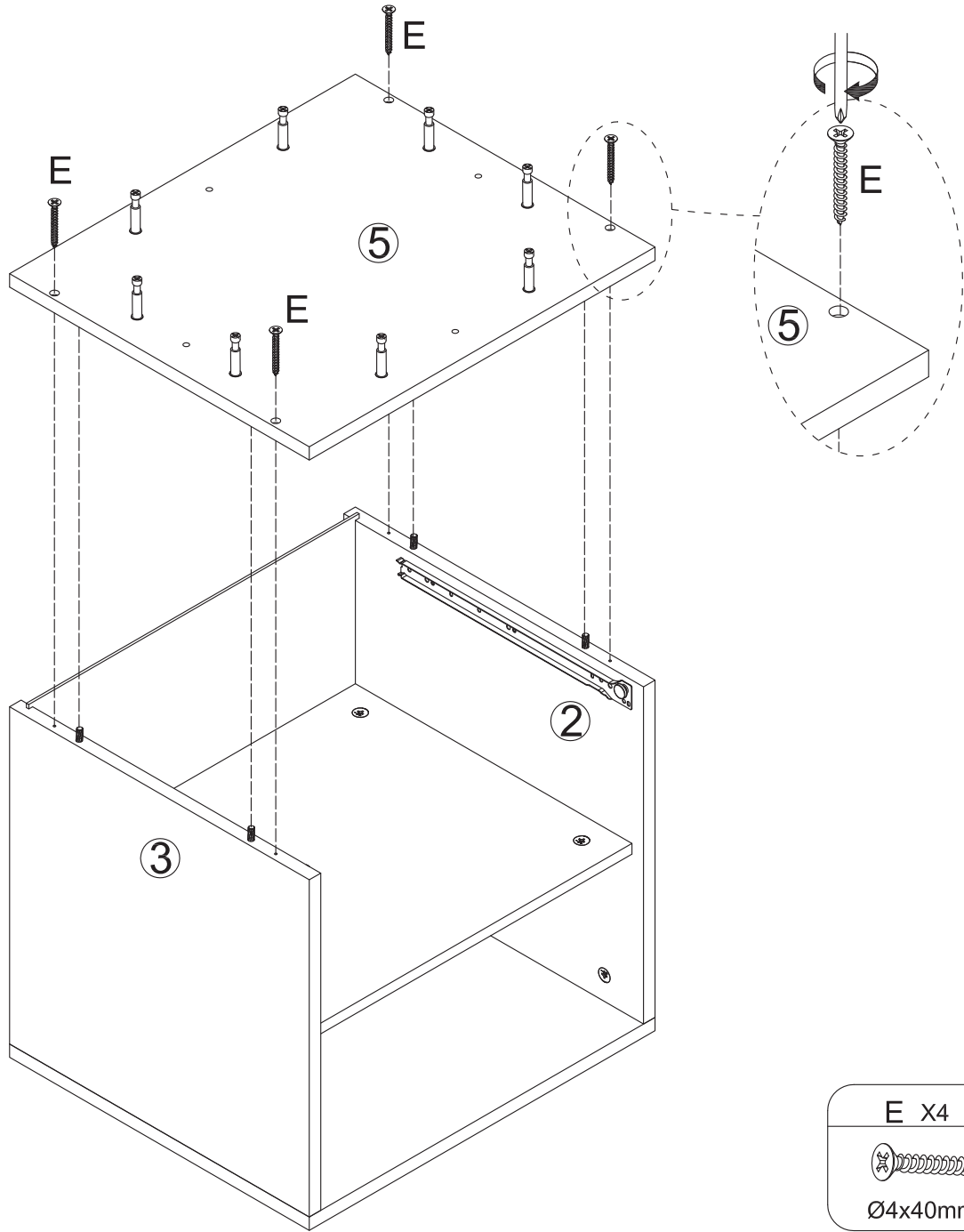
4




5

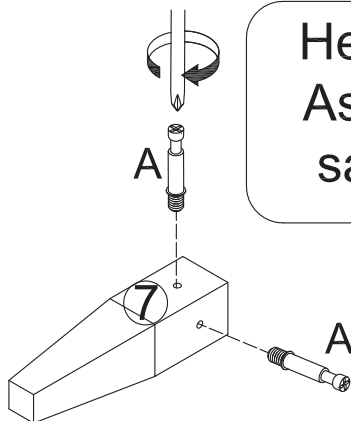
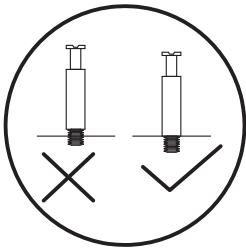


6




E X4

Ø4x40mm

7



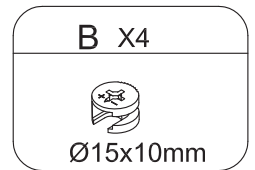
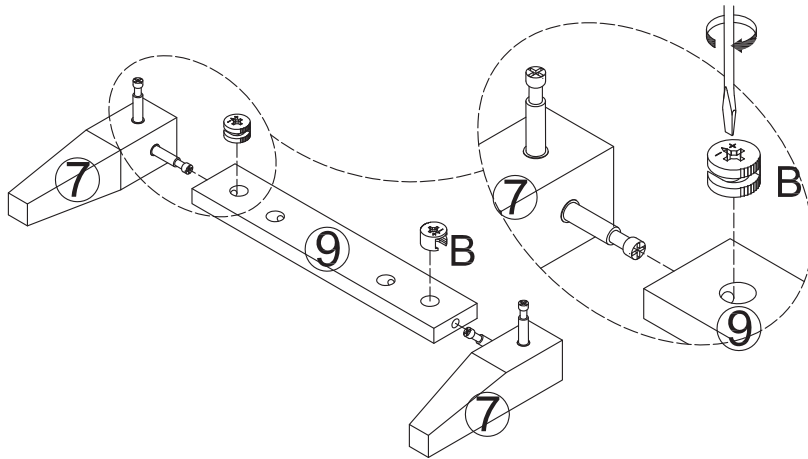
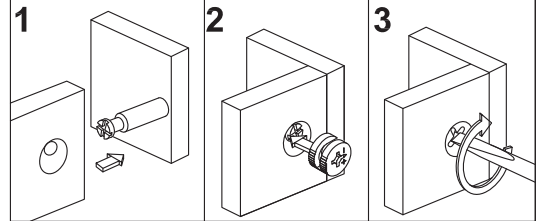
Here are 4 legs, Please Assemble 4 times in the same way

A X8

Ø6x35mm

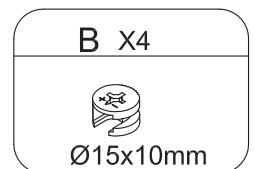
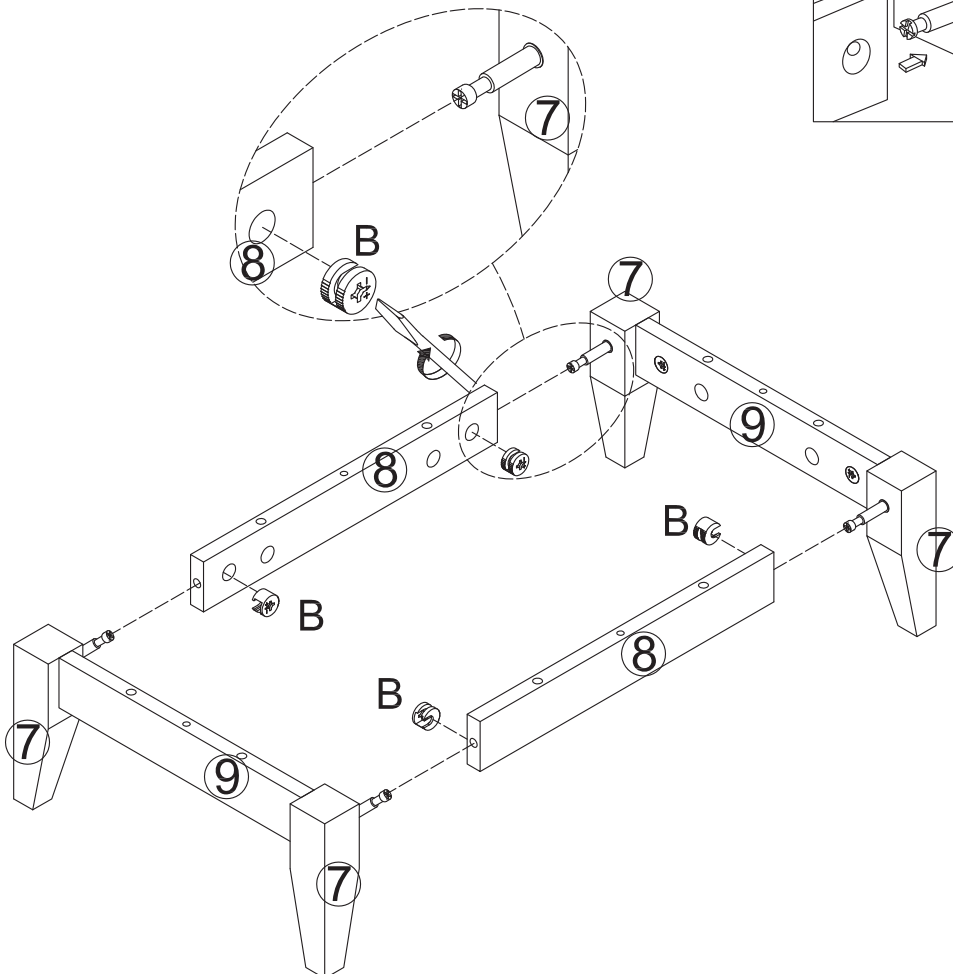
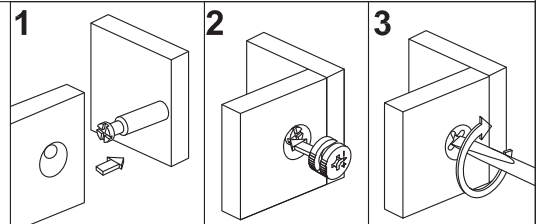
8

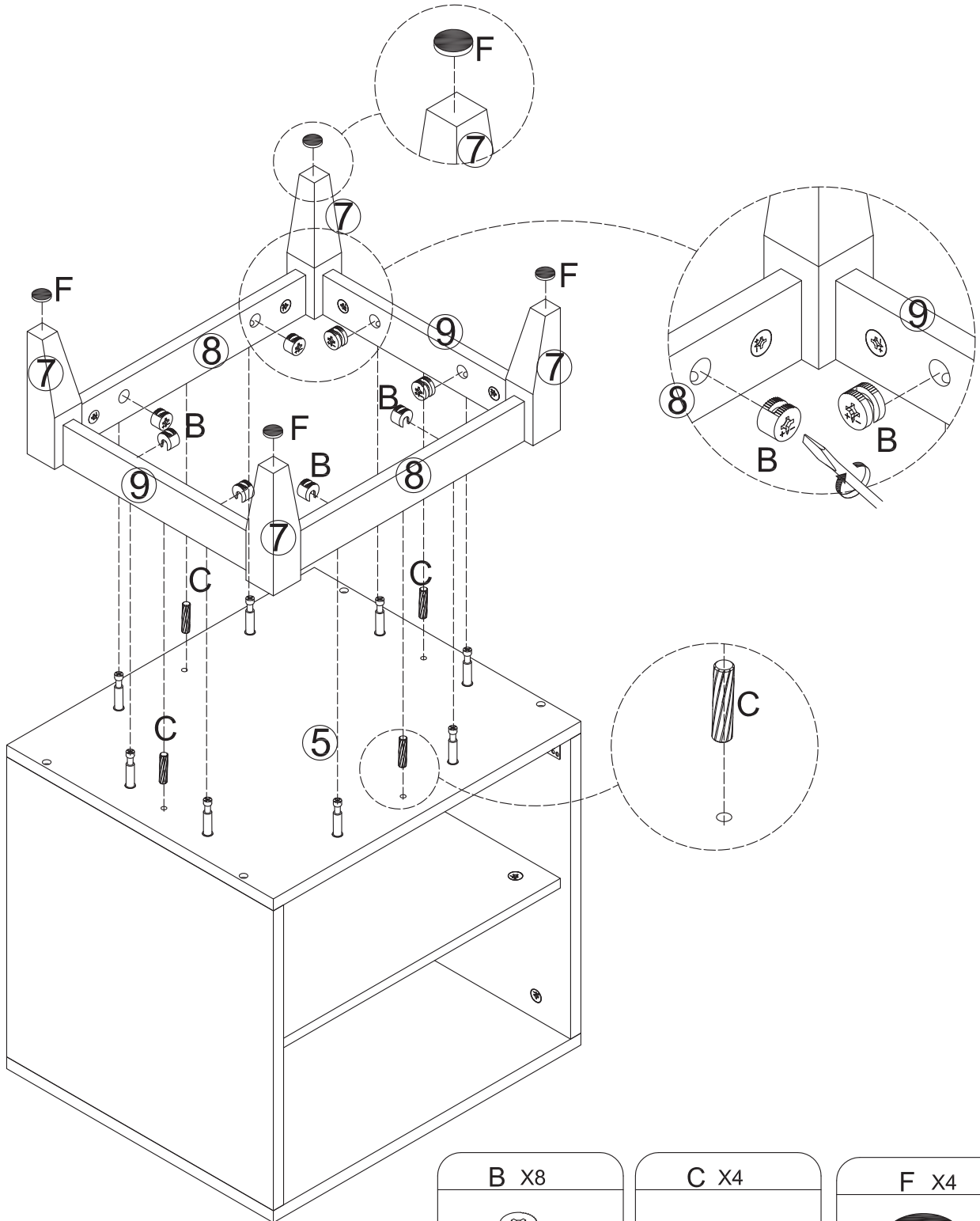
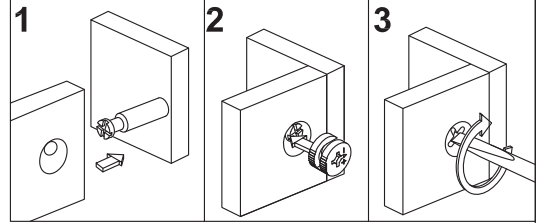
8


There are two lower foot frames, please assemble them in the same way twice





9



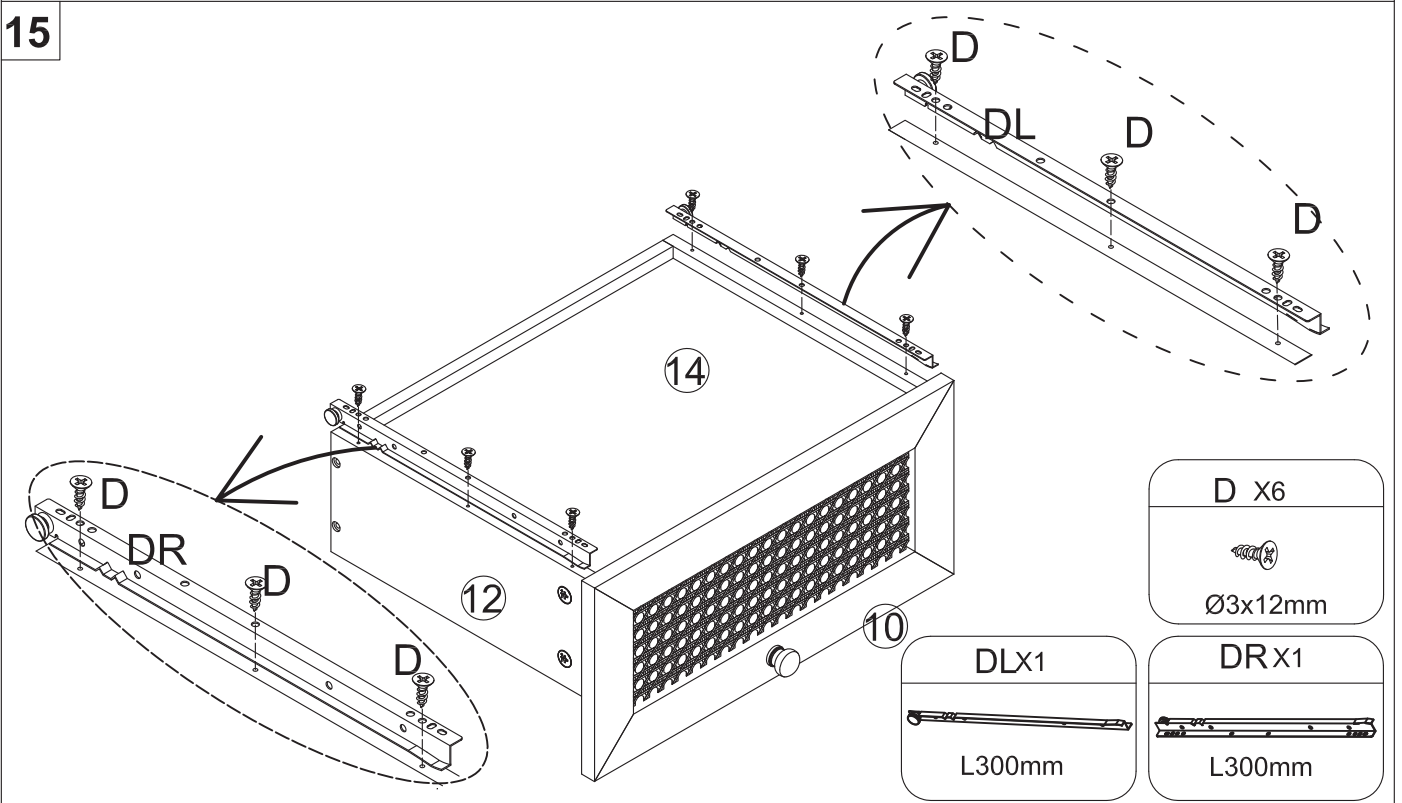
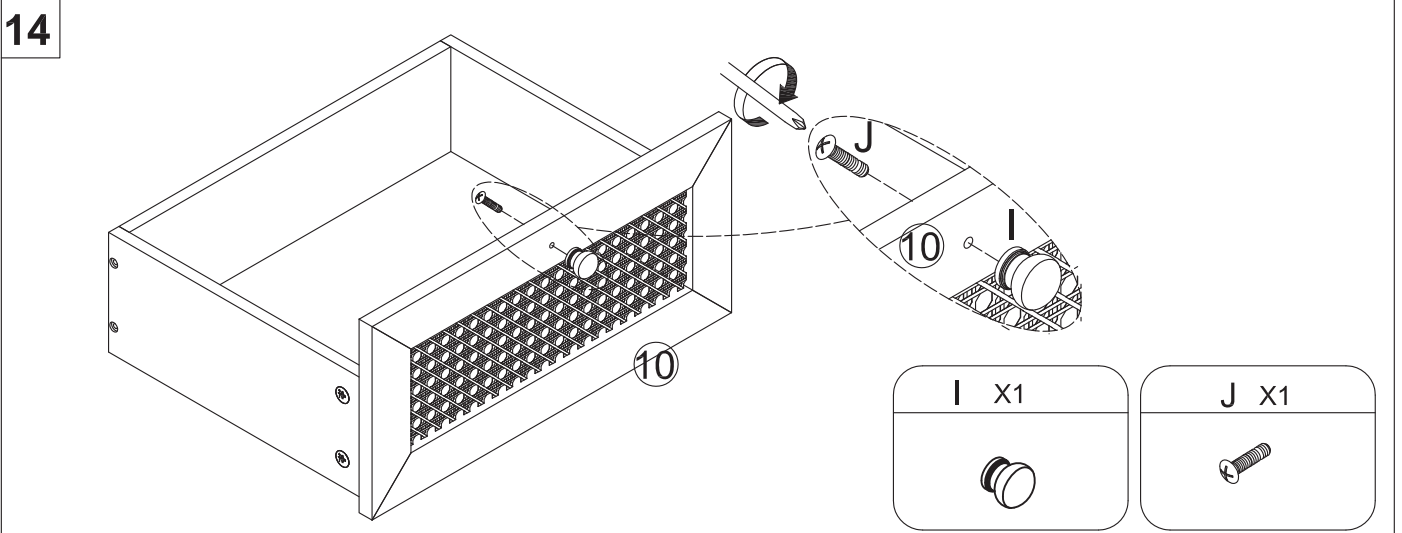
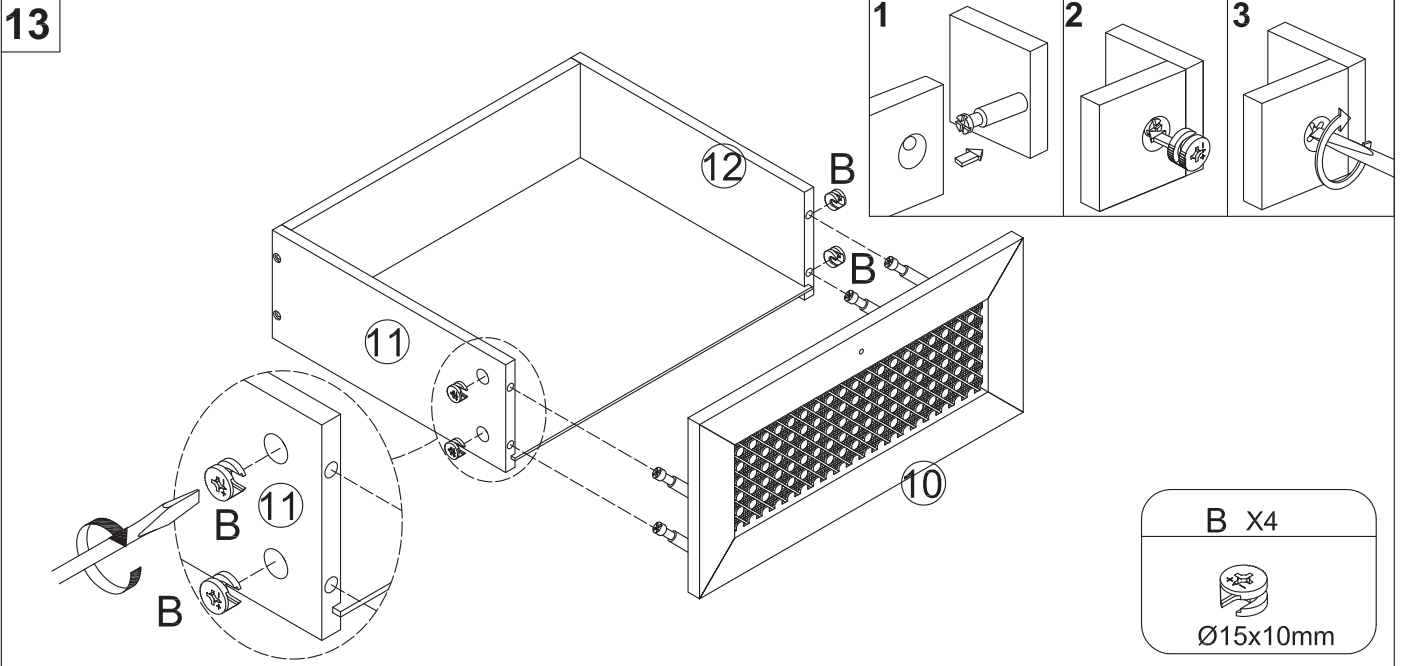


<b>B X8</b>

Ø15x10mm

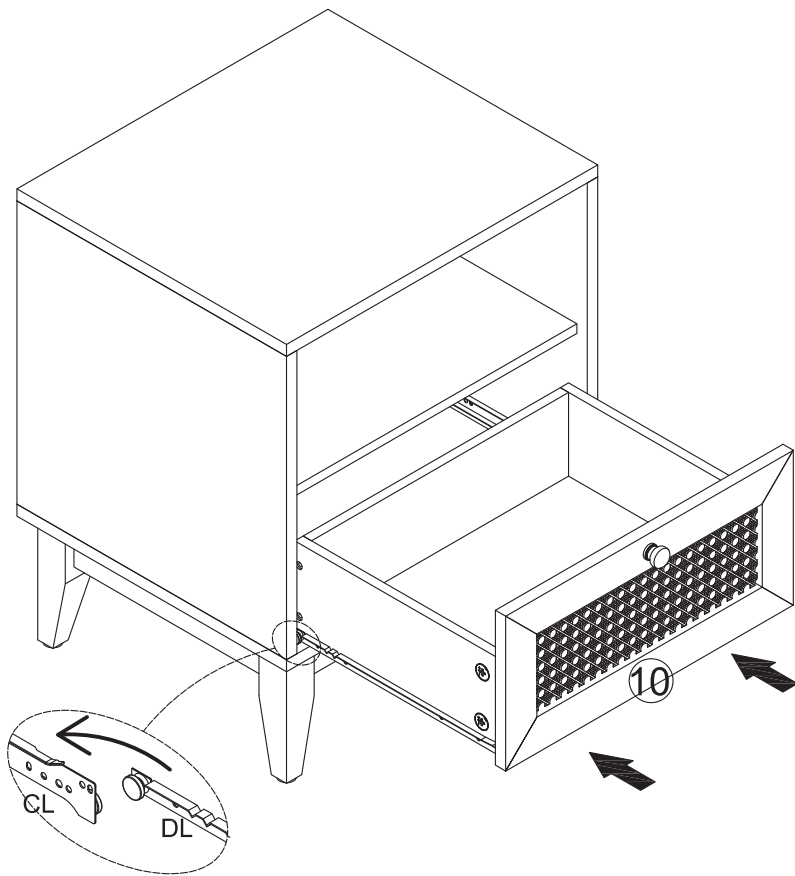
<b>C X4</b>

Ø6x30mm

<b>F X4</b>


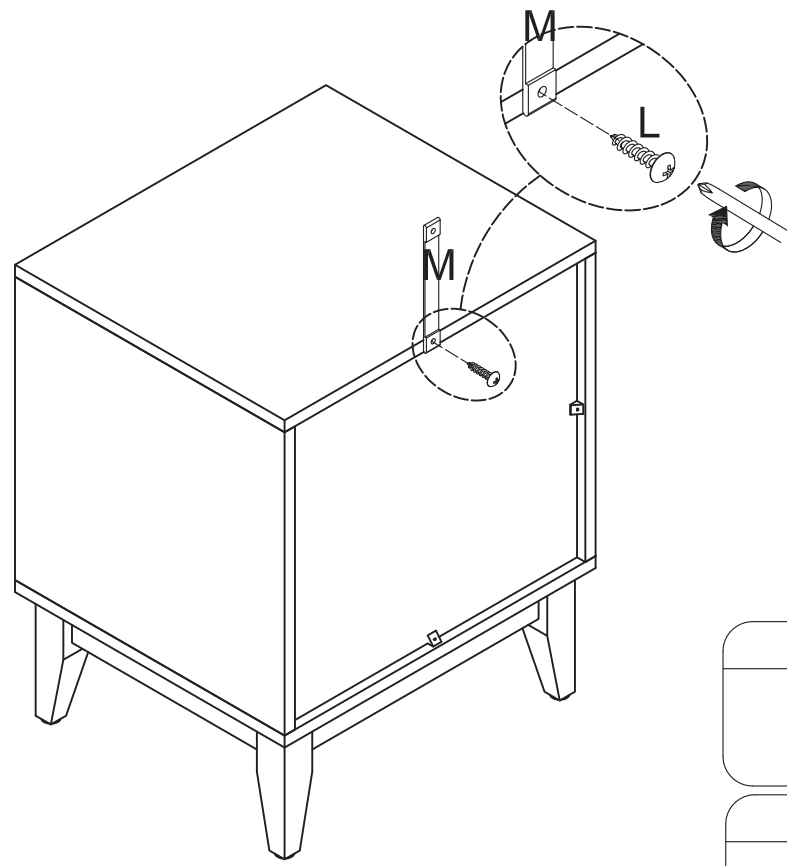





16



17



L X1



M X1

