

Assembly Instructions

Are you happy with your purchase?

Yes: That's great, we would love to hear more from you. Please leave us a review on our social media channels or Trustpilot. Your feedback will be greatly appreciated.

No: If for any reason there is something missing, indifferent or incorrect with your order, please contact the retailer you purchased the item from. We will work with the retailer to resolve your issue as quickly as possible.

Assembly Video

How to scan a QR code from an apple device

Step One: Open up the camera app

Step Two: Hold the device's camera up to the QR code

Step Three: Your Apple device will automatically recognise the QR code and provide you with a link to the video.

How to scan a QR code from an android device

Step One: Download the QR Code reader application from the Play Store.

Step Two: Open the QR code application and open the camera.

Step Three: Your Android device will automatically recognise the QR code and provide you with a link to the video.

How to scan a QR code from a Windows device

Step One: Open up the camera app

Step Two: Hold the device's camera up to the QR code

Step Three: Your Windows device will automatically recognise the QR code and provide you with a link to the video.

Please ensure that your device is up to date with the latest operating system.

ASSEMBLY INSTRUCTIONS

IMPORTANT: READ THESE INSTRUCTIONS CAREFULLY BEFORE ATTEMPTING TO ASSEMBLE OR USE YOUR LYNX 2 DOOR SLIDING ROBE WITH MIRROR.

PLEASE KEEP THESE INSTRUCTIONS FOR FUTURE REFERENCE.

ASSEMBLY:

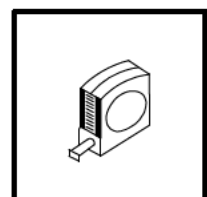
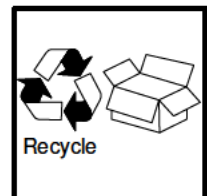
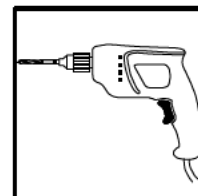
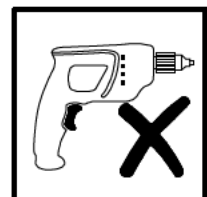
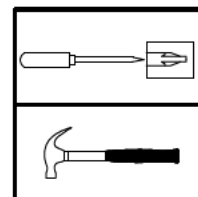
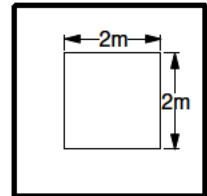
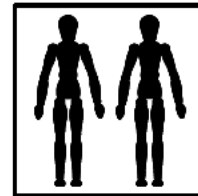
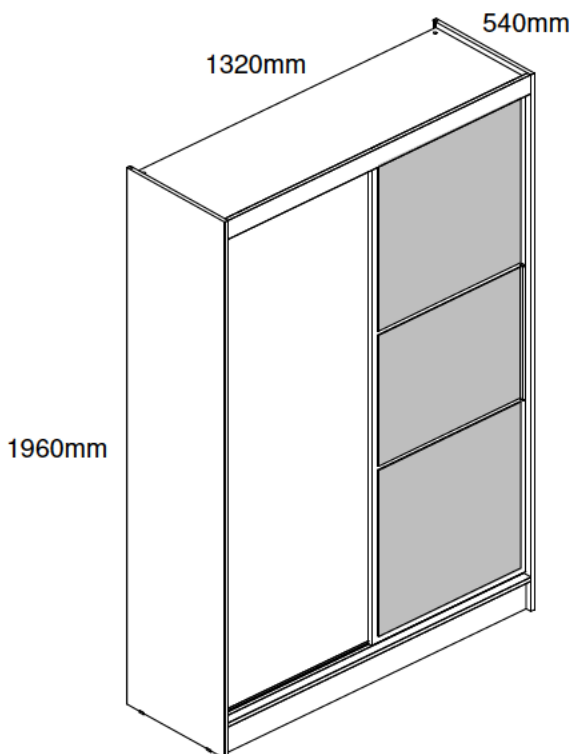
Assembly should be carried out with this item laying flat, not standing upright.
Assemble on a soft, clean surface to prevent damages.
To erase the numbers printed on the pieces, use the rubber into the accessories pack.

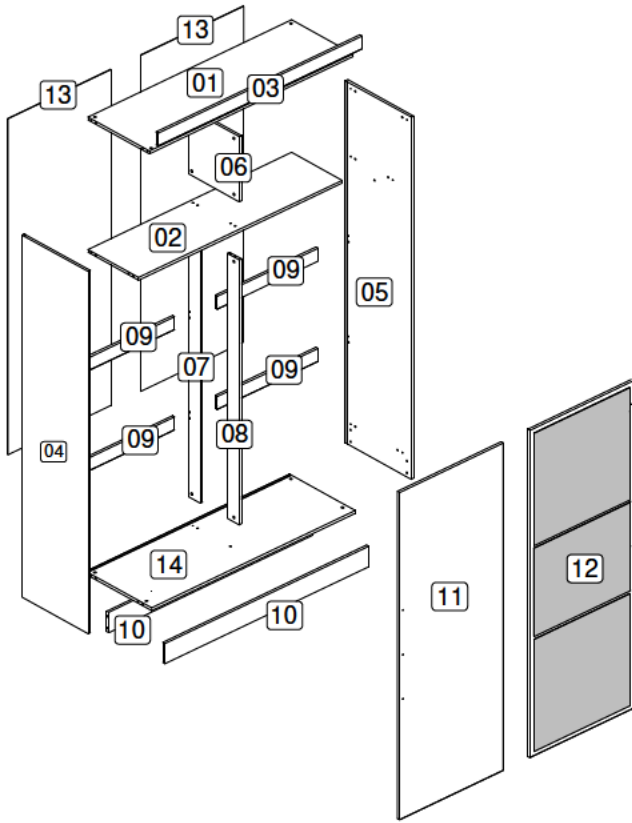
HEALTH & SAFETY:

DO NOT use this wardrobe if any parts are missing, damaged or worn.
DO NOT use this wardrobe unless all fixings are secured.
Always use on a level, even surface.

CARE & MAINTENANCE:

Periodically check all screws & fixings to ensure they are secure.
DO NOT push the wardrobe as this will damage the base.
Always lift the wardrobe with two people to reposition.
Keep any sharp objects away from the wardrobe.





Identification of Accessories

Part	Description		Qty
A	5 x 60 mm Screw		1
B3	Bushing		1
B5	Metalic Angle Plates		3
C1	Metal Claw		7
E	8 x 30mm Wooden Dowel		28
E7	Small Plastic Foot		4
E9	Strap		1
F	8 x 50mm Wooden Dowel		4
J	Simple Minifix Screw		20
K	Double Minifix Screw		4
L	Cam Lock		28
M	Plastic Cap		14
N	10 x 10mm Tack		25
P5	3,5 x 14mm Screw		2
R4	Hanging Rail		1
S	3.5 x 14mm Screw		13
T	3.5 x 25mm Screw		6
V4	3.5 x 20mm Screw		2
V5	Open Rail Support		1
W3A	Upper Pulley		4
W3B	Lower Pulley		4
W3C	Door Stopper		1
W3D	4.5 x 25mm Screw		1
W3E	4 x 14mm Screw		32
W4	Handle		2
W5	Top Runner		1
W6	Bottom Runner		1
Z4	Rail Support		2

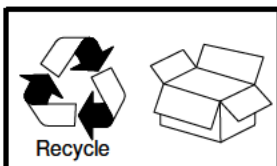
Parts List

Part	Description	Box	Qty
01	Top Panel	2	1
02	Shelf	1	1
03	Top Plinth	1	1
04	Left Panel	1	1
05	Right Panel	1	1
06	Shelf Divider	1	1
07	Back Support	1	1
08	Front Support	1	1
09	Back Rail	1	4
10	Bottom Plinth	1	2
11	Left Door	2	1
12	Right Door	2	1
13	Back Panel	2	2
14	Base Panel	1	1

** You will need a small mallet and a screwdriver for assembly.

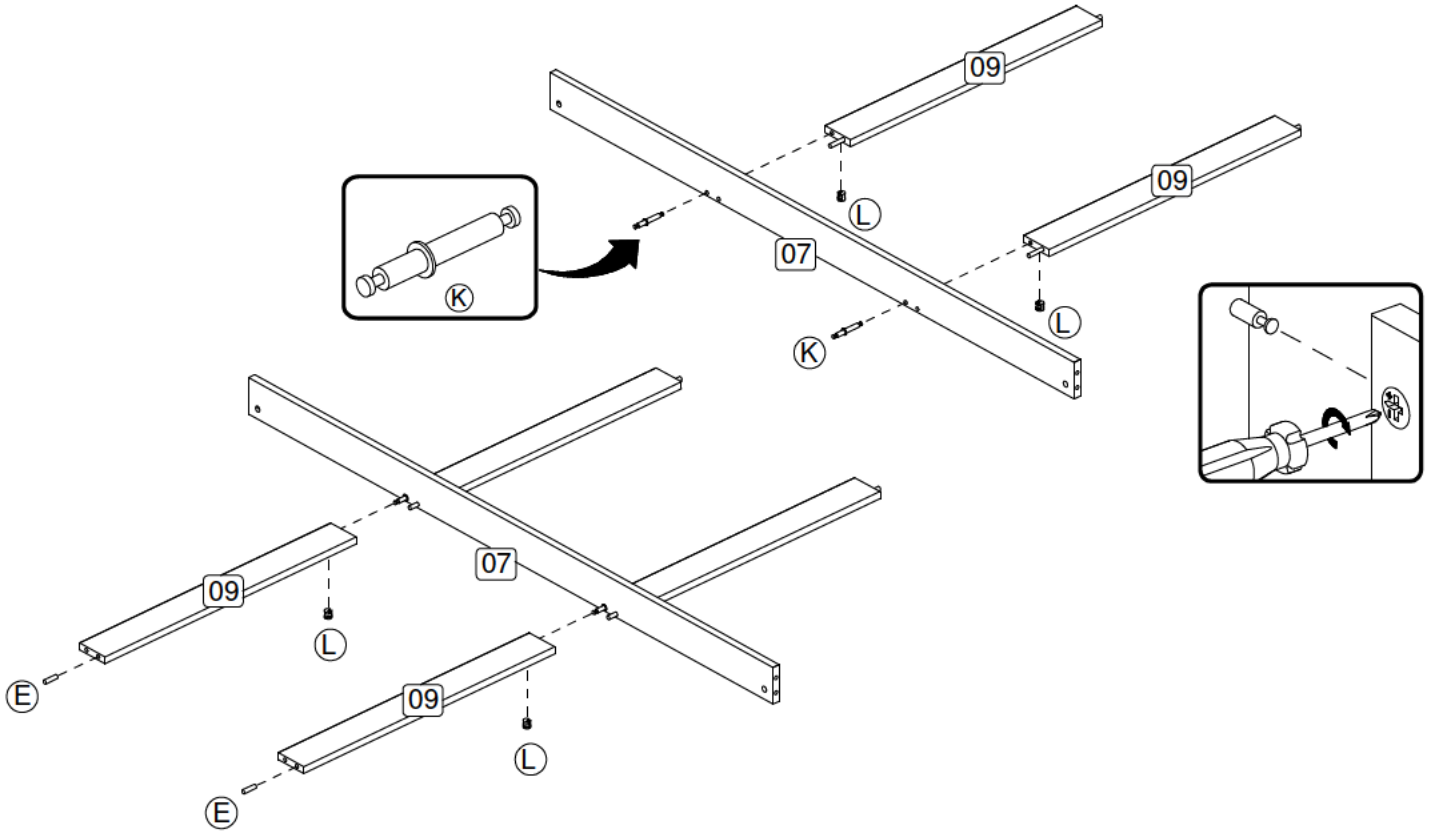
** Some screws and wooden dowel may remain.

** Wall plug and screw is supplied to attach strap to the wall.



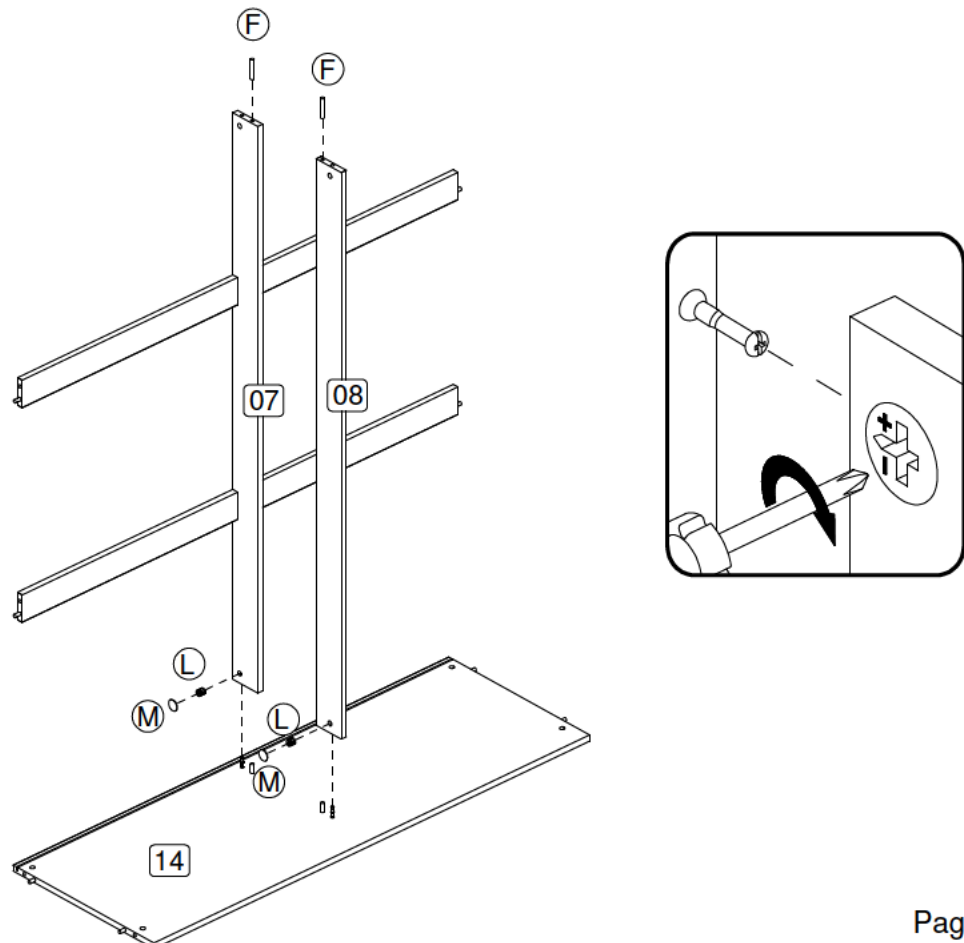
Step 2: Attach the back rails (9) to the back support (7) using hardware parts E, K and L with a small mallet and screwdriver (not provided).

DO NOT use any power tools as this may damage the frame and will invalidate any claim.

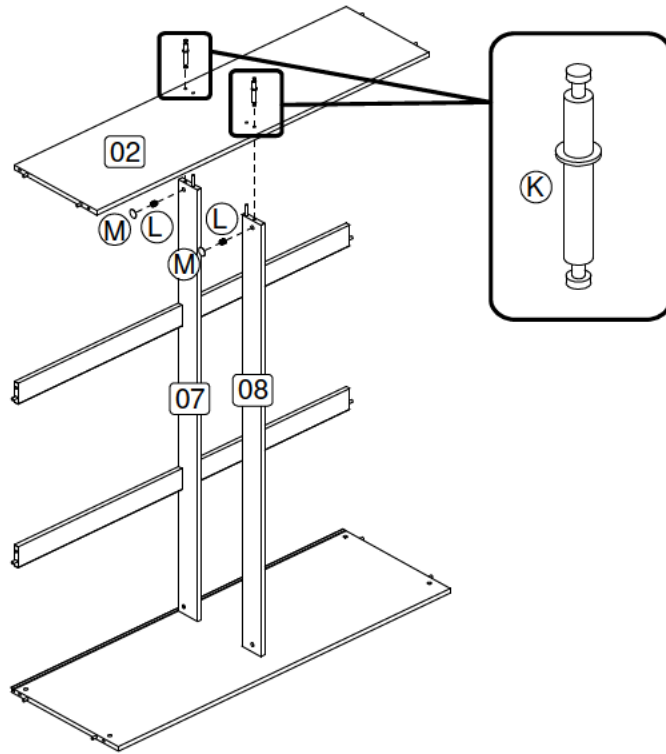


Step 3: Attach the back support (7) and front support (8) to the base panel (14) using hardware parts F, L and M with a small mallet and a screwdriver (not provided).

DO NOT use any power tools as this may damage the frame and will invalidate any claim.

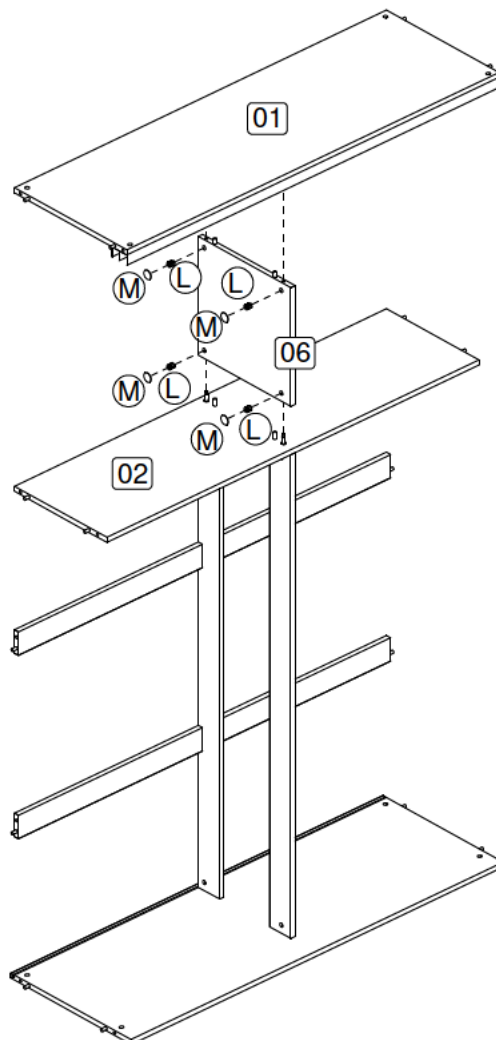


Step 4: Attach the shelf (2) using hardware parts K, L and M with a screwdriver (not provided).
DO NOT use any power tools as this may damage the frame and will invalidate any claim.



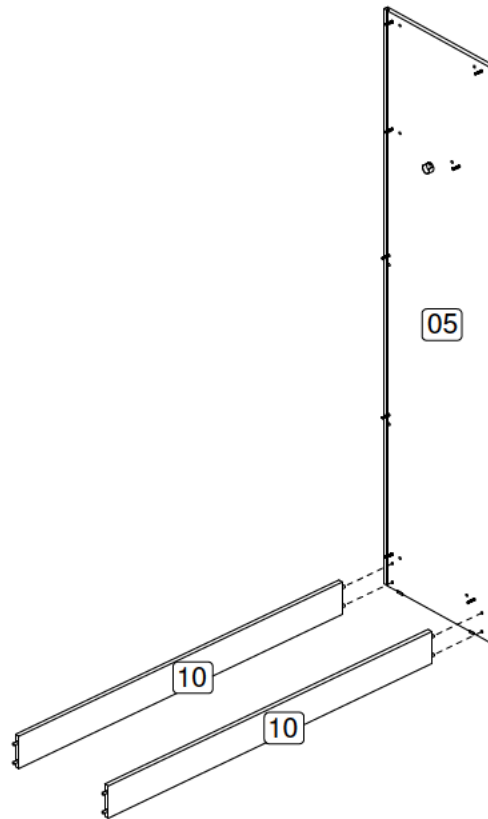
Step 5: Attach the self divider (6) and the top panel (1) using hardware parts L and M with a screwdriver (not provided).

DO NOT use any power tools as this may damage the frame and will invalidate any claim.



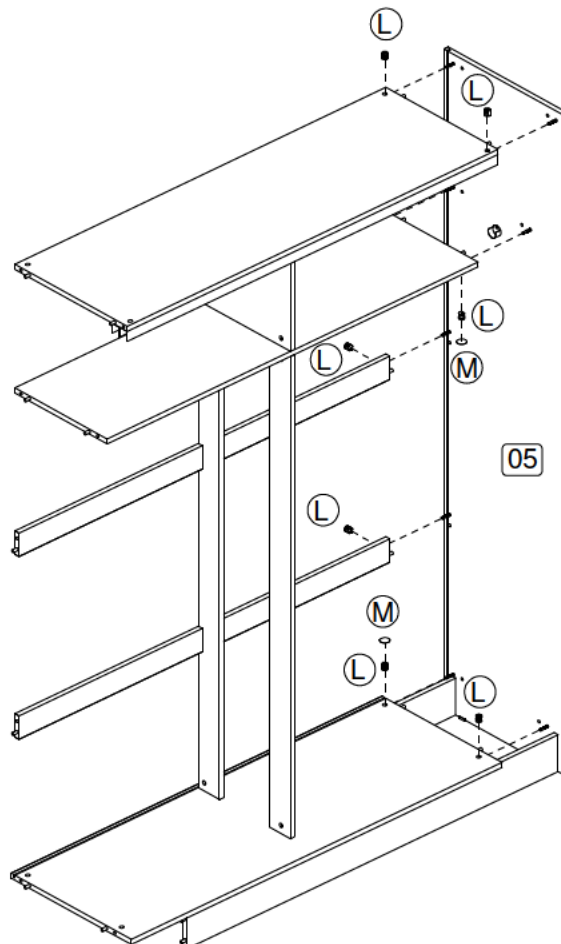
Step 6: Attach the bottom plinths (10) to the right panel (5).

DO NOT use any power tools as this may damage the frame and will invalidate any claim.



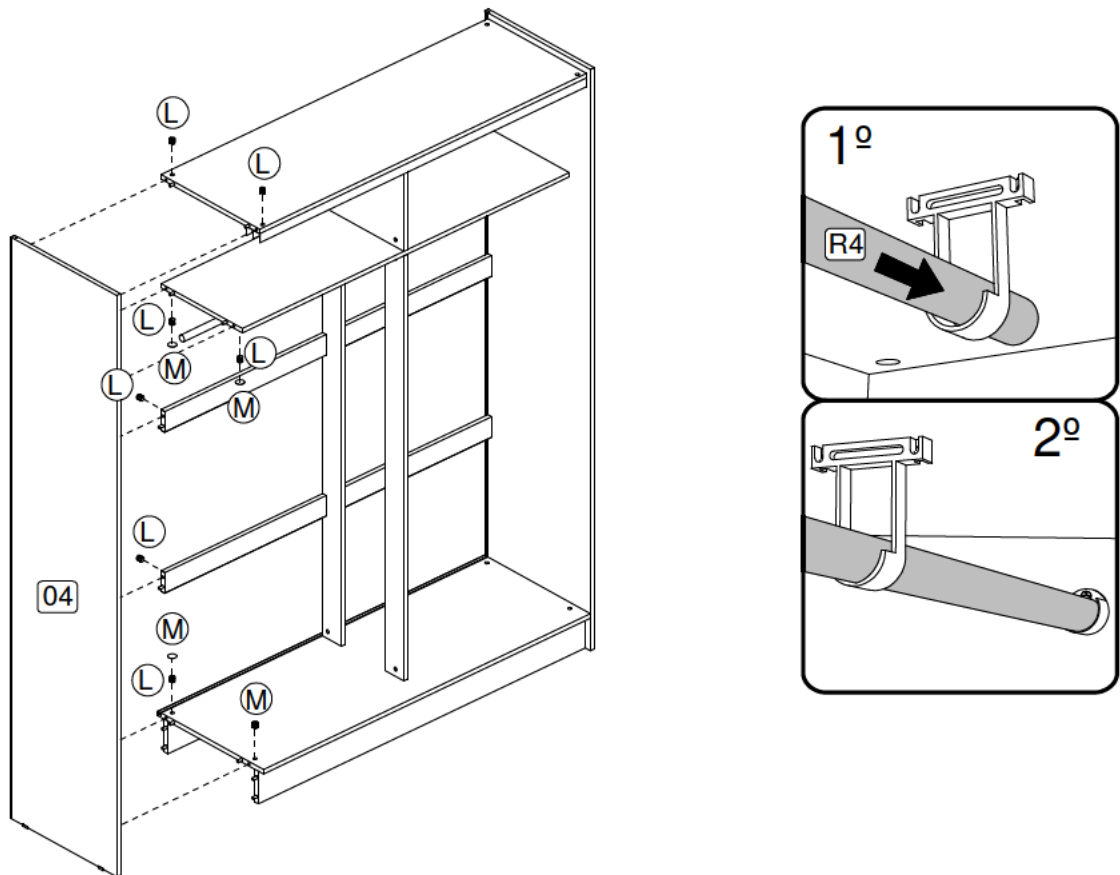
Step 7: Join the assembled inner frame section of the assembled side frame section using hardware parts L and M with a screwdriver (not provided).

DO NOT use any power tools as this may damage the frame and will invalidate any claim.



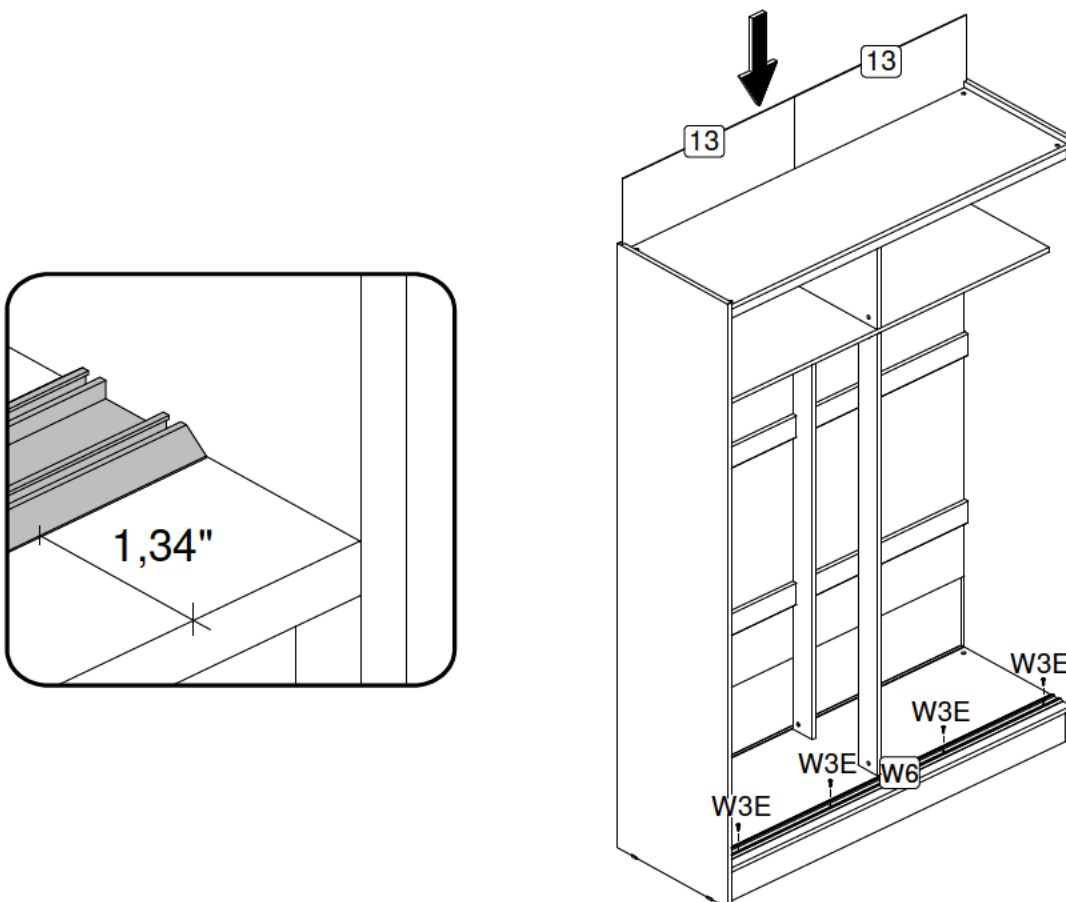
Step 8: Position the hanging rail R4 then attach the left panel (4) using hardware parts L and M with a screwdriver (not provided)

DO NOT use any power tools as this may damage the frame and will invalidate any claim.



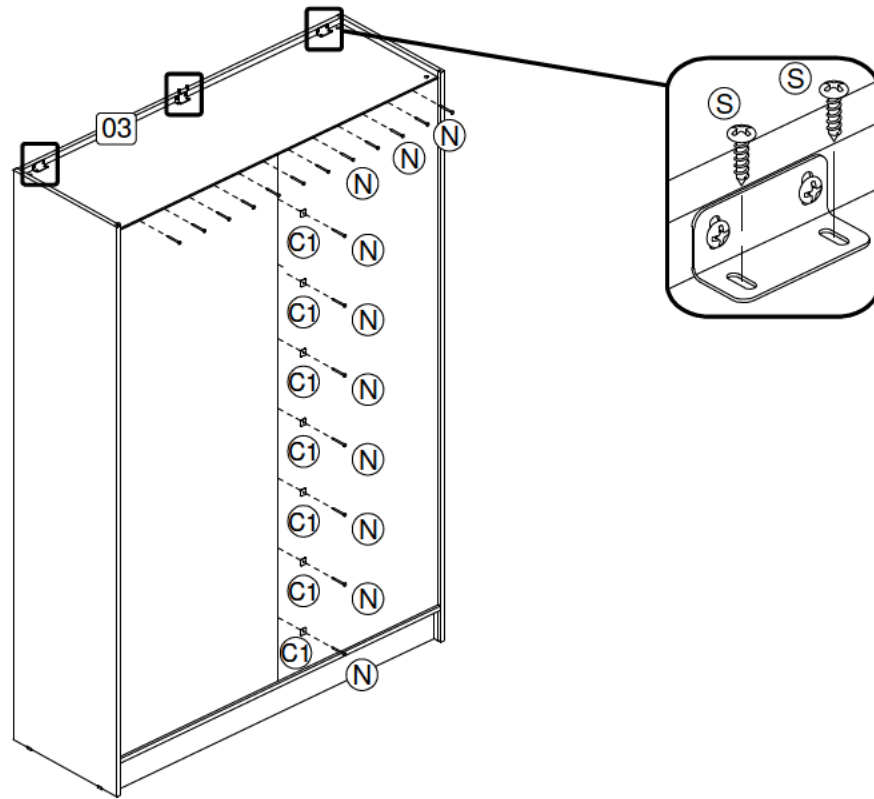
Step 9: Put the back panels (13) in place and fix the bottom runner W6 using hardware part W3E and a screwdriver (not provided).

DO NOT use any power tools as this may damage the frame and will invalidate any claim.



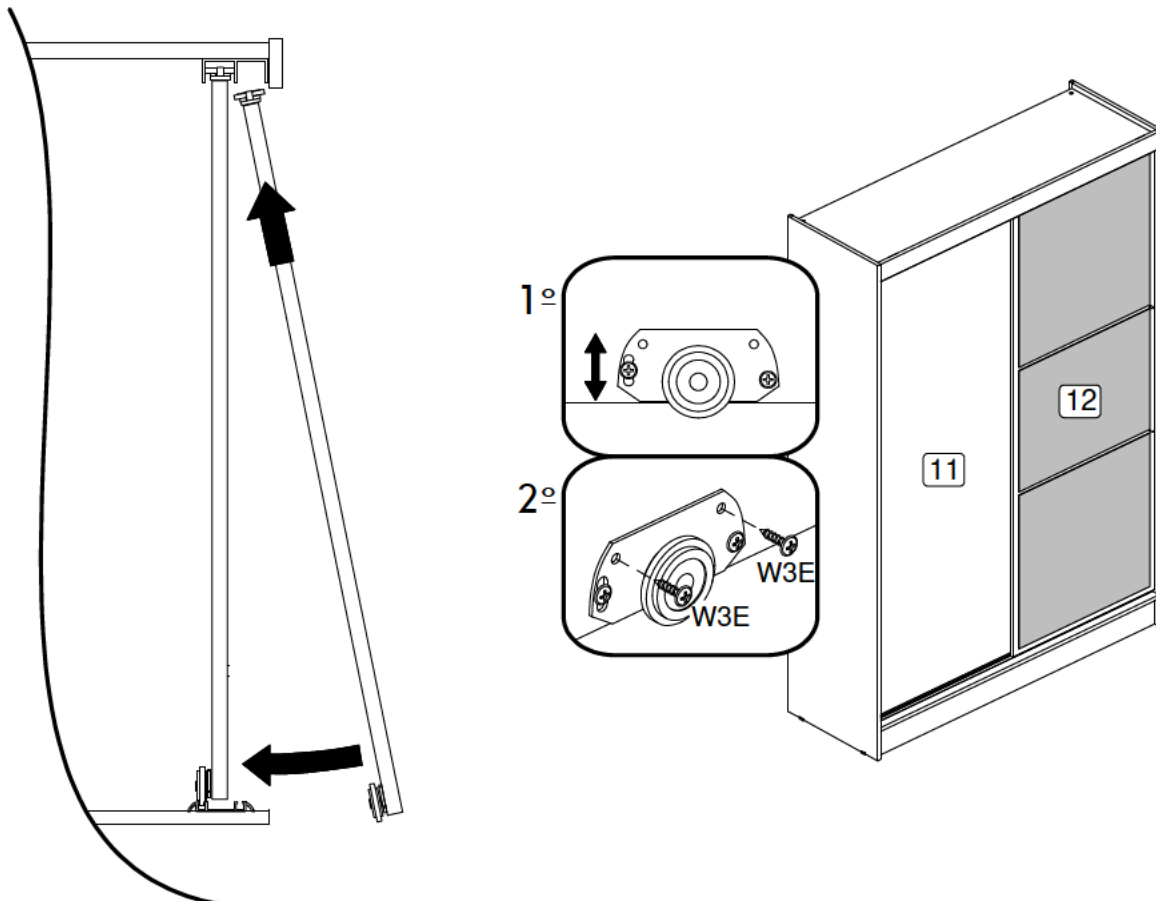
Step 10: Secure the back panels (13) using hardware parts C1 and N with a small mallet (not provided). Attach the top plinth (3) using hardware part S with screwdriver (not provided).

DO NOT use any power tools as this may damage the frame and will invalidate any claim.



Step 11: Attach the doors (11) and (12) as shown in the diagram.

DO NOT use any power tools as this may damage the frame and will invalidate any claim.



Step 12: To secure the item to the wall use hardware parts A, B3 and E9 using a drilling machine (not provided) and a screwdriver (not provided). Then attach hardware part S to the item with a screwdriver (not provided). Birlea Furniture advise you use the wall straps provided to further enhance the safety of this product.

