

NOTICE

- * Please make sure that you have all parts indicated and they are in good condition before you begin assembly of this item. Refer to part list and hardware list below for guidance.
- * This item should be assembled on a soft surface to prevent scratching the finish during assembly.
- * This item may require periodic tightening.
- * If you are having difficulty, our friendly Customer Care team is always here to help. Please email customersupport@safavieh.com







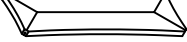
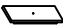




PREPARATION

- * Before beginning assembly of product, make sure all parts are present. Compare parts with part contents list and hardware contents list.
- * If any part is missing or damaged, do not attempt to assemble the product.
- * Estimated Assembly Time: 60 minutes. Needed for Assembly: 2 People.
- * Tools Required for Assembly : L Key (included), Phillips screwdriver (not included)

CARE AND MAINTENANCE

Adhesive felt pads should always be applied to areas of furniture which make direct contact with flooring, said application will prevent damage to the furniture and or surfaces on which the furniture lies. Objects placed on articles of furniture should rest on non abrasive material as to prevent damage to the wood finish. Wipe up spills immediately and avoid common hazards such as hot dishes, harsh solvents and abrasives. Cleaning should be done with a soft lint free cotton cloth dampened with water or furniture polish.

Part List and Hardware List

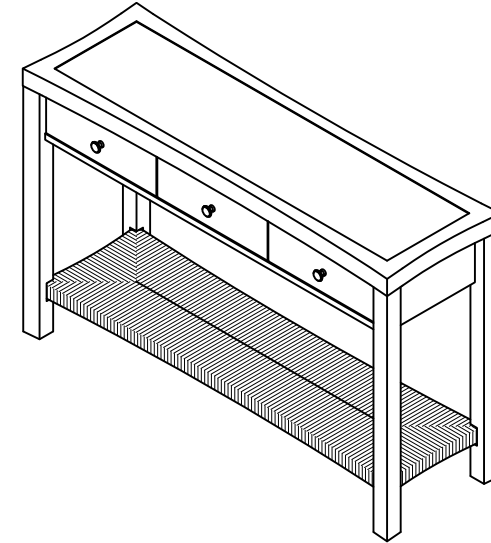
PIECE	DESCRIPTION	PICTURE	QUANTITY
A	TOP ASSEMBLY		1X
B	LEFT ASSEMBLY		1X
C	RIGHT ASSEMBLY		1X
D	DIVIDER		2X
E	FRONT RAIL		1X
F	BACK PANEL		1X
G	SHELF ASSEMBLY		1X
H	DRAWER FRONT		3X
I	DRAWER LEFT		3X
J	DRAWER RIGHT		3X
K	DRAWER BACK		3X
L	DRAWER BASE		3X

SAFAVIEH

COOUTURE

Model# SFV1314


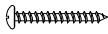
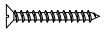









Product Dimensions: 48"W x 15"D x 30"H



WARNING

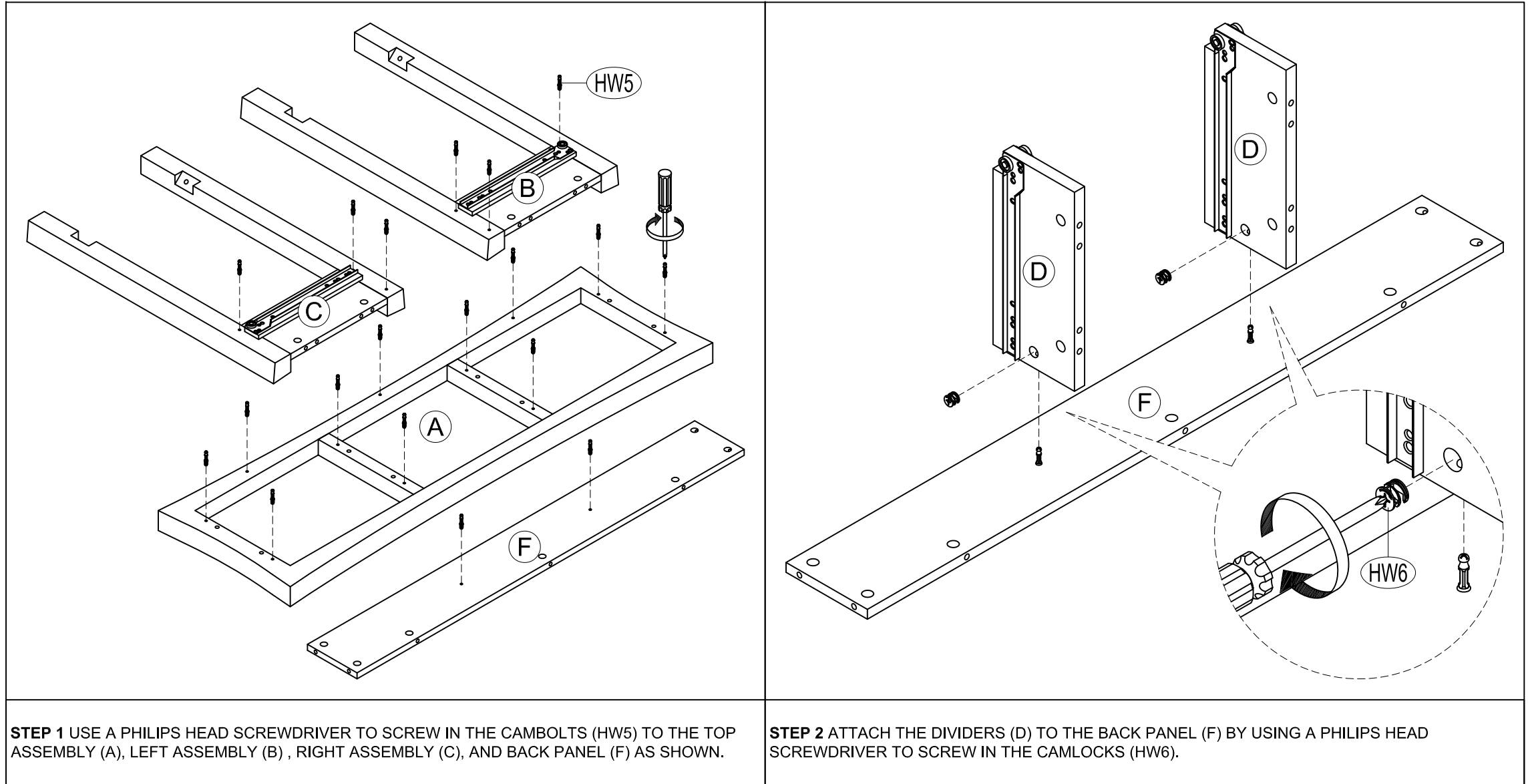


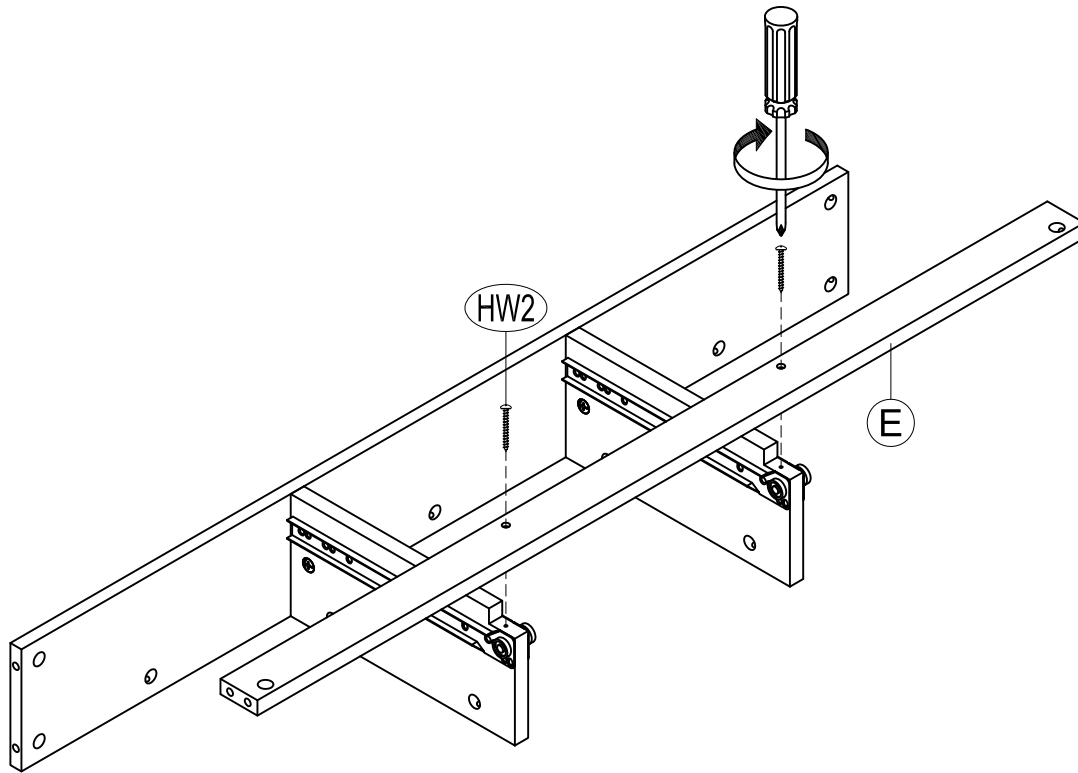
WEIGHT CAPACITY: 100 LBS (TOP); 30 LBS (SHELF); 25 LBS (DRAWER)
WARNING: DO NOT STAND ON THE TABLE
WARNING: DO NOT OVER TORQUE BOLTS/SCREWS

PIECE	DESCRIPTION	PICTURE	QUANTITY
HW1	BOLT 6 x 1 x 80 MM		4X
HW2	ROUND HEAD SCREW 3 x 1 x 32 MM		2X
HW3	FLAT HEAD SCREW 3 x 1 x 32 MM		24X
HW4	FLAT HEAD SCREW 3 x 1 x 19 MM		6X
HW5	CAMBOLT		19X
HW6	CAMLOCK		19X
HW7	MACHINE SCREW 4 x 0.7 x 25 MM		3X
HW8	HANDLE		3X
HW9	DOWEL		10X
HW10	SPACER		4X
HW11	SPRING WASHER Ø13 x 1 MM		4X
HW12	L KEY		1X

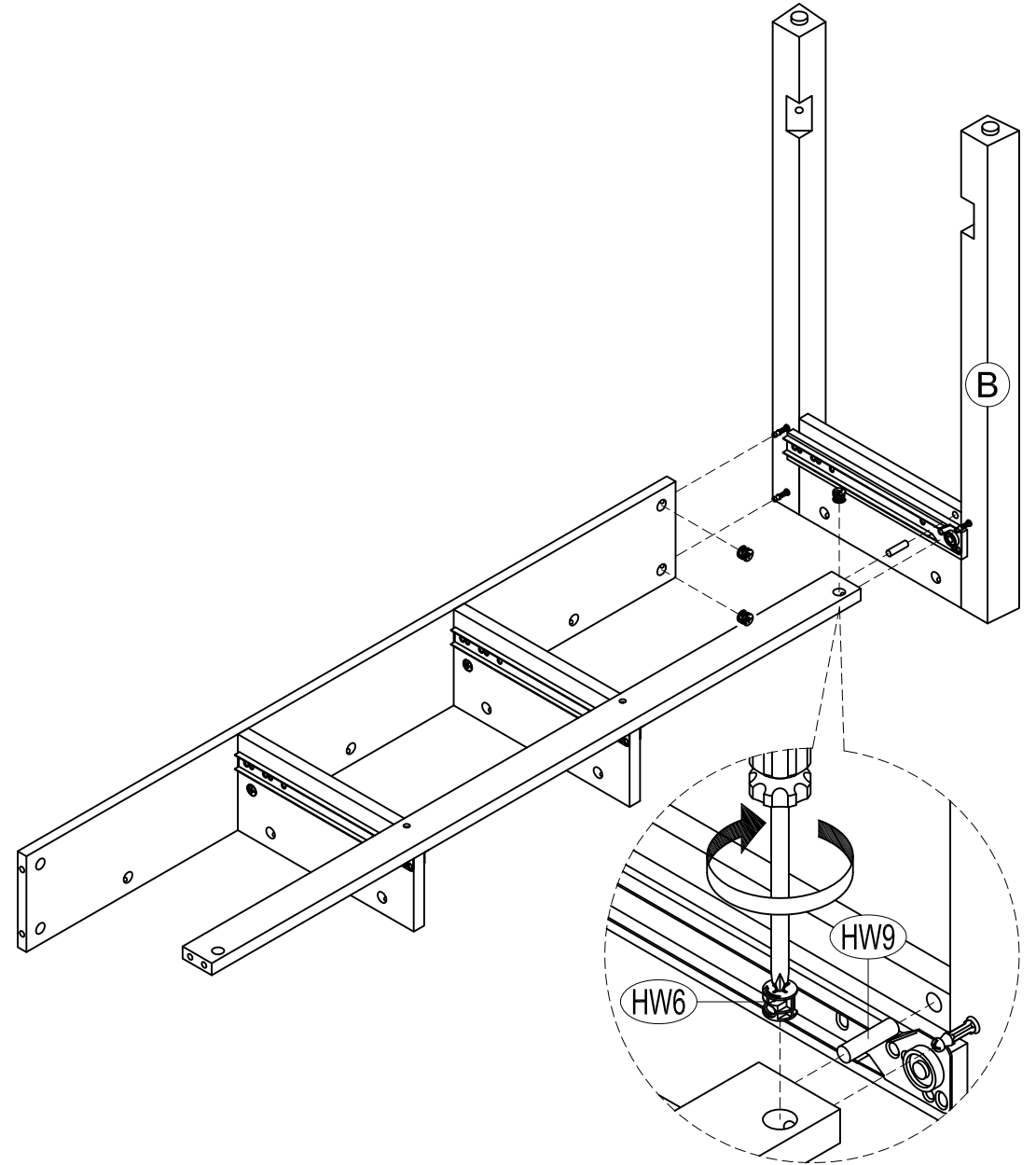
PREPARATION

- * Before beginning assembly of product, make sure all parts are present. Compare parts with part contents list and hardware contents list.
- * If any part is missing or damaged, do not attempt to assemble the product.
- * Estimated Assembly Time: 60 minutes. Needed for Assembly: 2 People.
- * Tools Required for Assembly : L Key (included), Phillips screwdriver (not included)
- * If you are having difficulty, our friendly Customer Care team is always here to help. Please email customersupport@safavieh.com

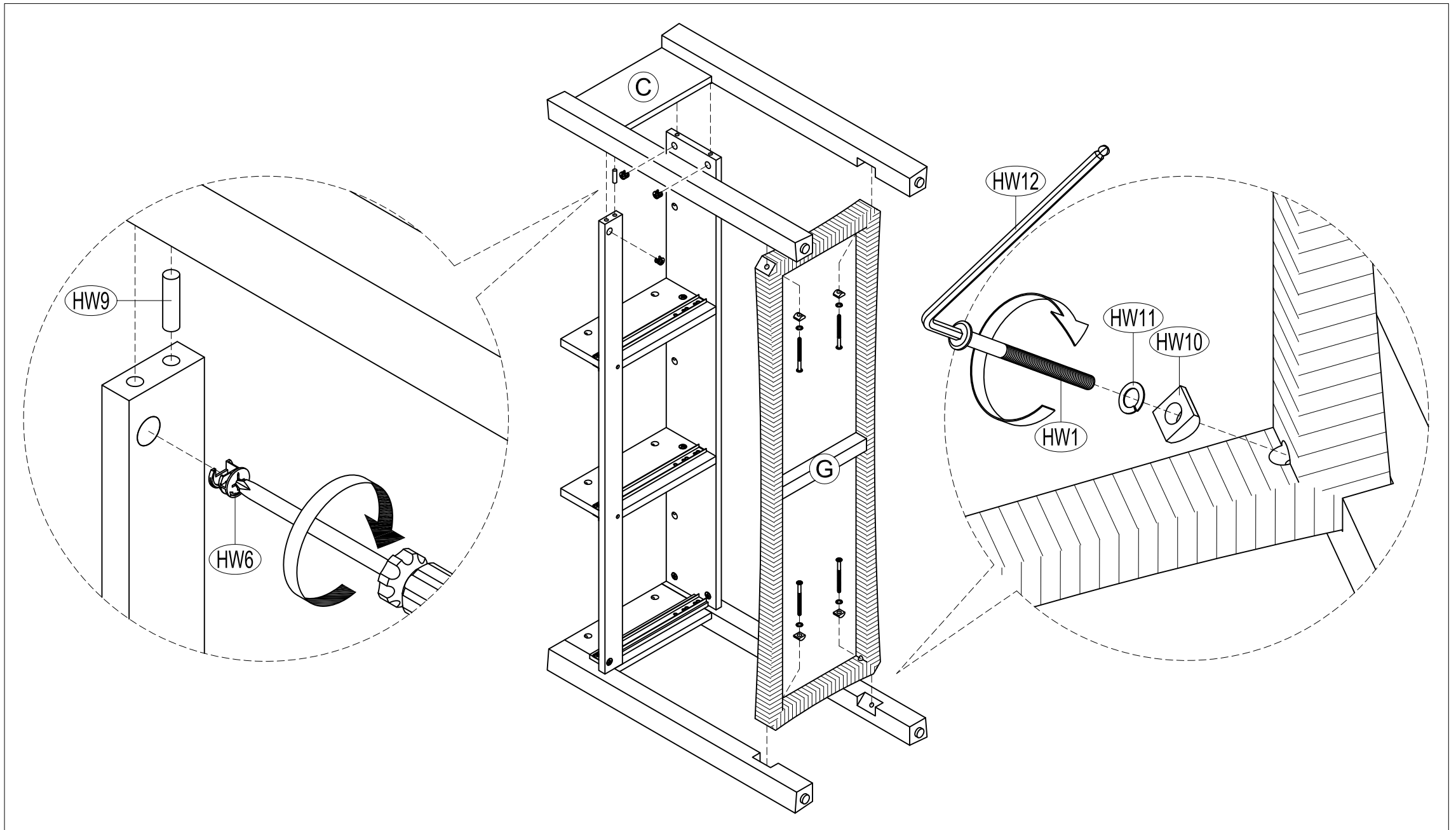




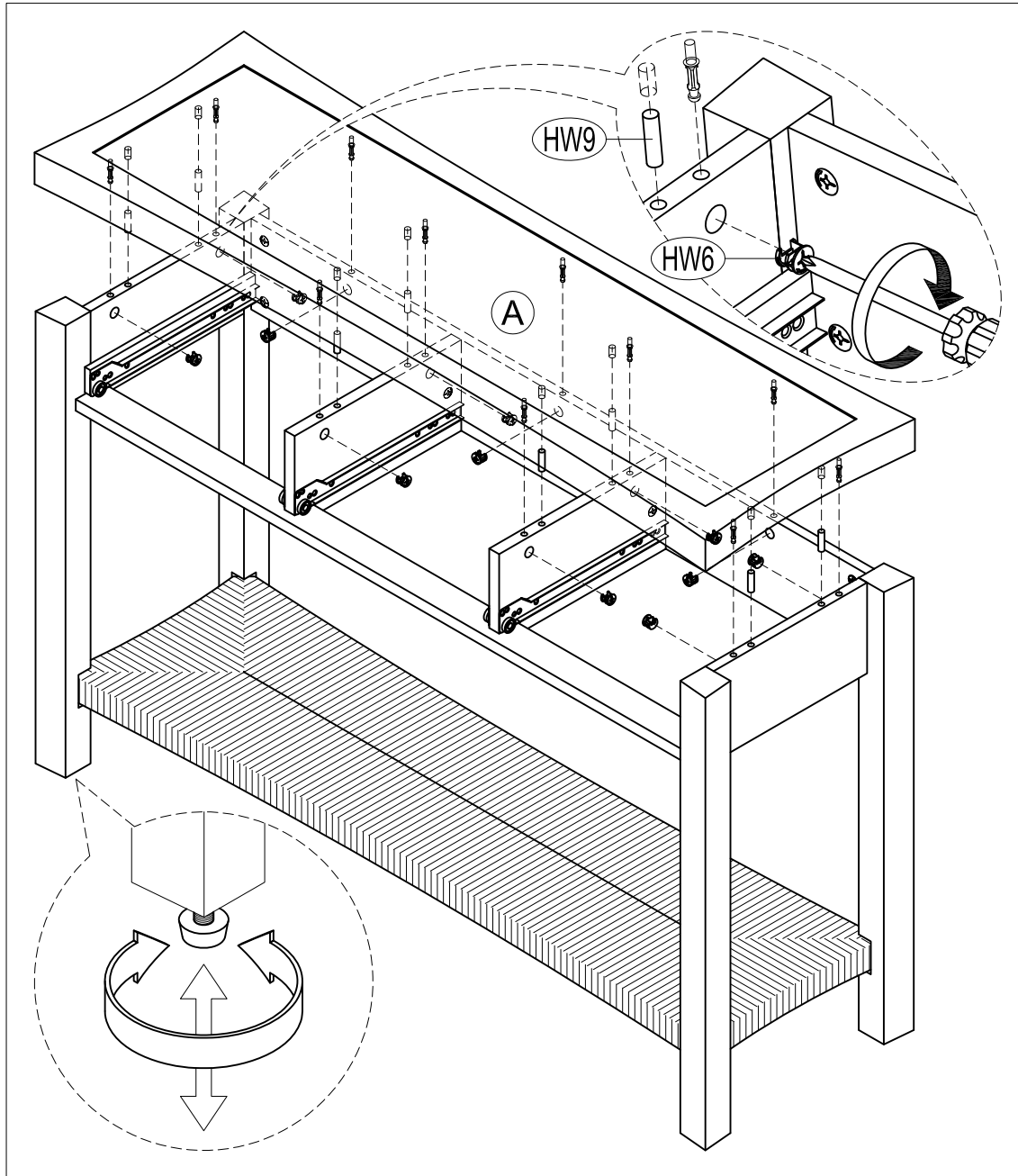
STEP 3 ATTACH THE FRONT RAIL (E) TO THE DIVIDERS (D) BY USING A PHILIPS HEAD SCREWDRIVER TO SCREW IN THE ROUND HEAD SCREWS (HW2).



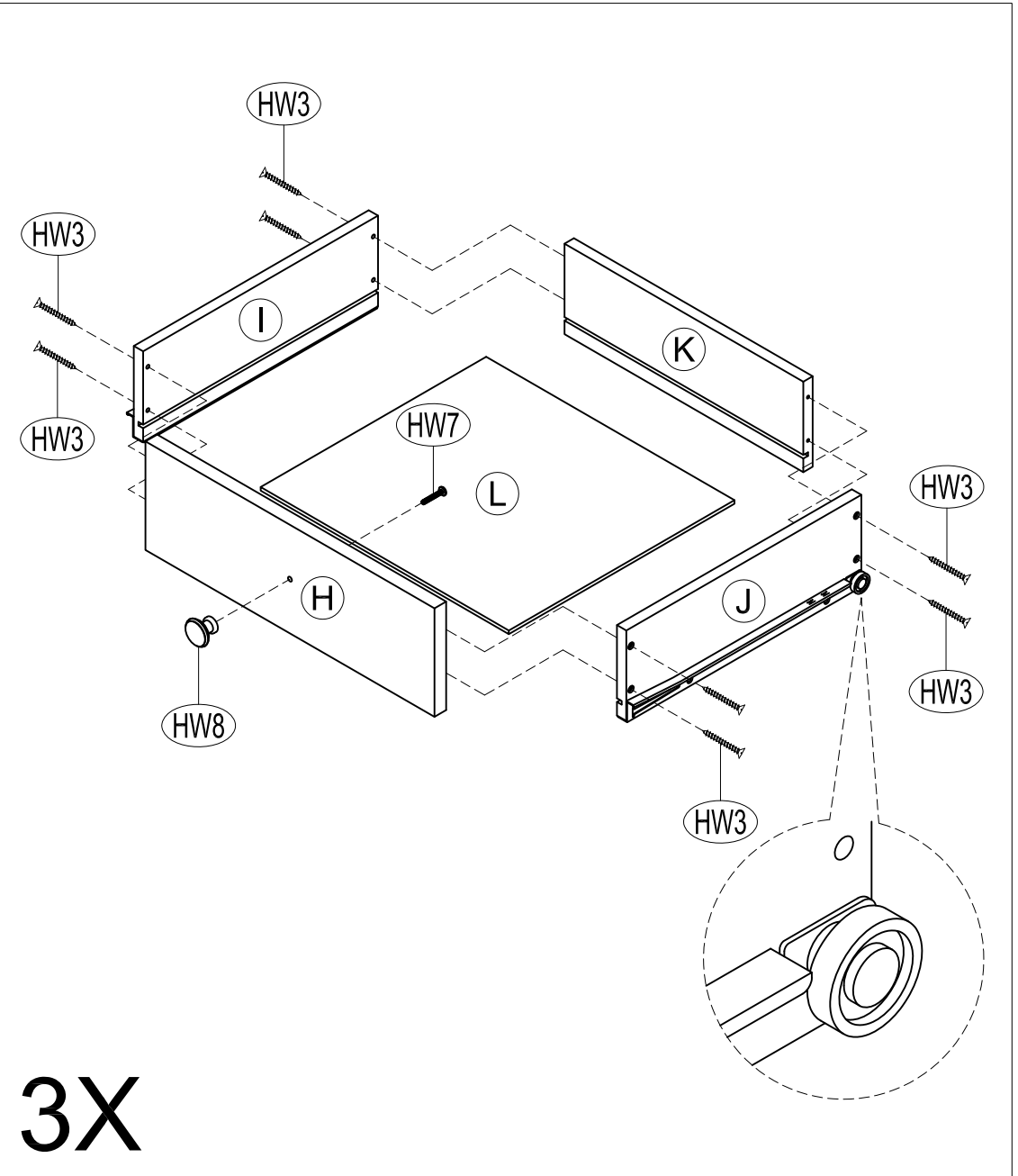
STEP 4 ATTACH THE LEFT ASSEMBLY (B) TO THE ASSEMBLED UNIT BY INSERTING THE DOWELS (HW9). THEN USE A PHILIPS HEAD SCREWDRIVER TO SCREW IN THE CAMLOCKS (HW6) AS SHOWN.



STEP 5 ATTACH THE RIGHT ASSEMBLY (C) TO THE ASSEMBLED UNIT BY INSERTING THE DOWELS (HW9). THEN USE A PHILIPS HEAD SCREWDRIVER TO SCREW IN THE CAMLOCKS (HW6) AS SHOWN. ATTACH THE SHELF ASSEMBLY (G) TO THE LEGS BY USING THE L KEY (HW11) TO SCREW THE BOLTS (HW1) IN THROUGH THE SPRING WASHERS (HW11) AND SPACERS (HW10) AS SHOWN. NOTE: ATTACH THE RIGHT ASSEMBLY AND SHELF AT THE SAME TIME.

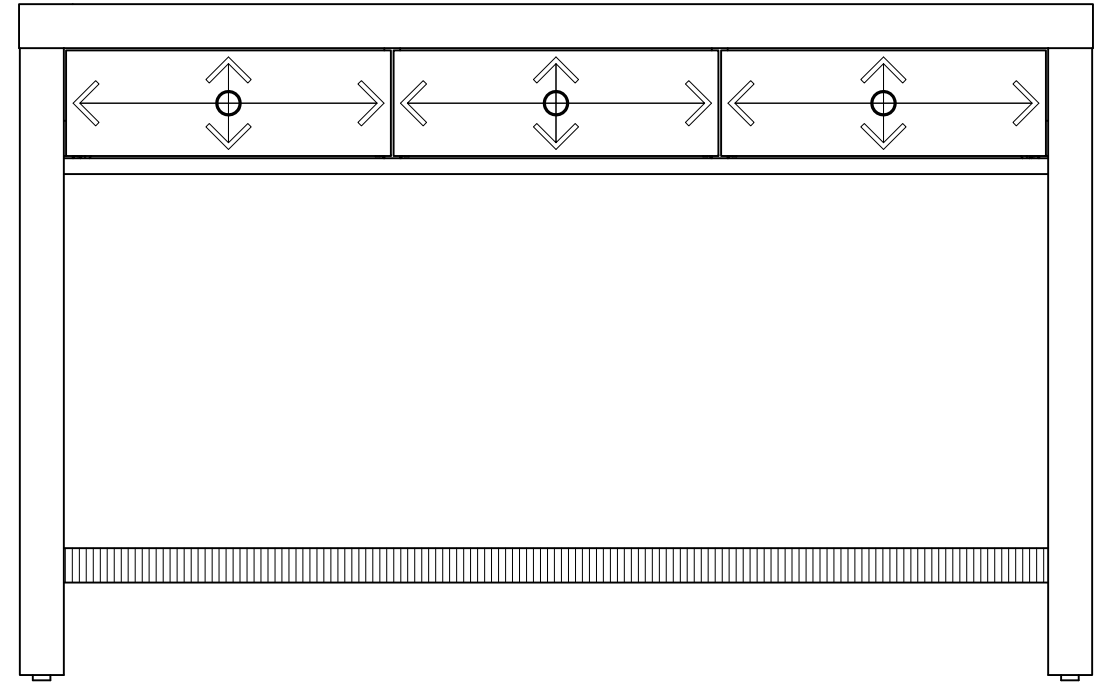
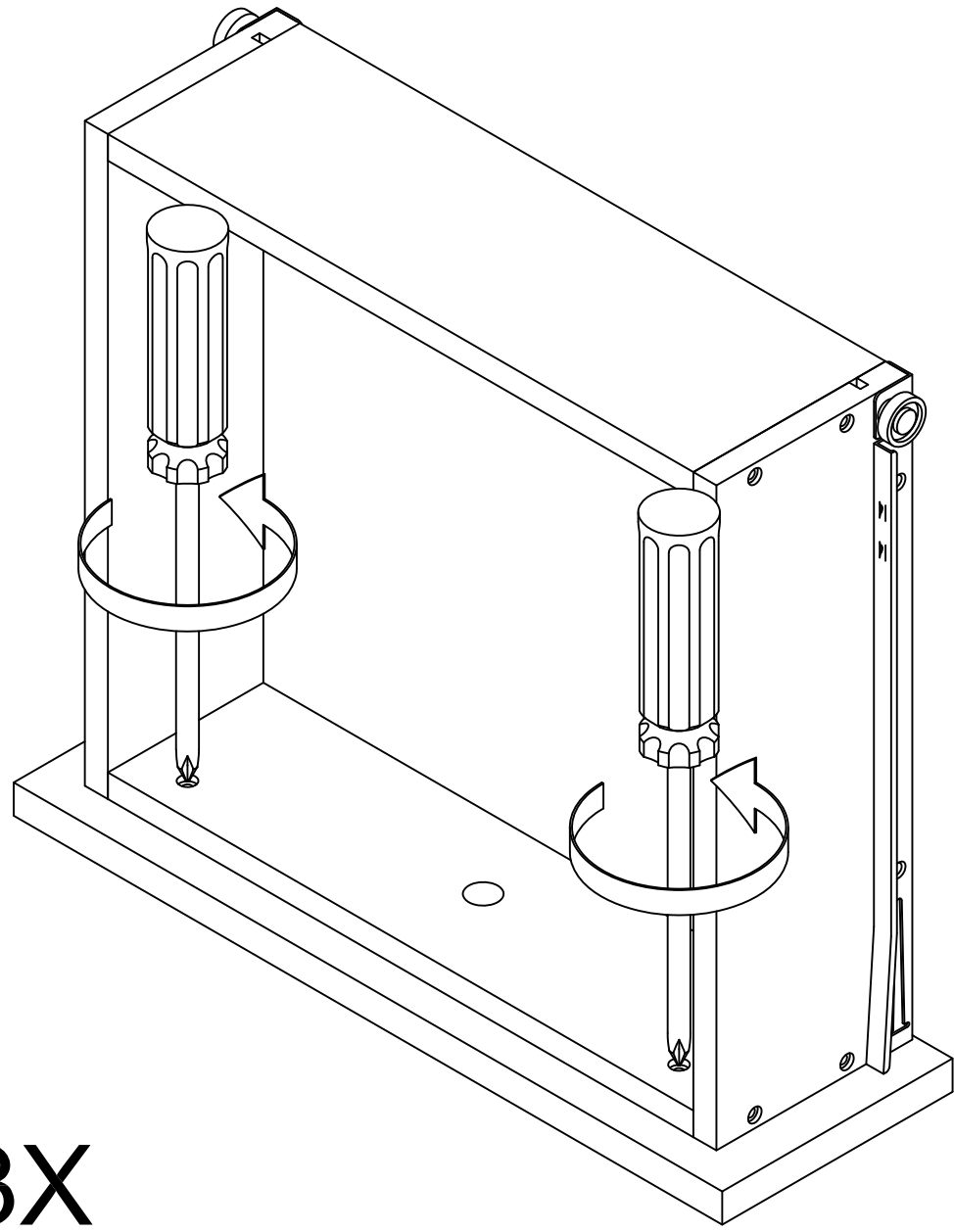


STEP 6 ATTACH THE TOP ASSEMBLY (A) TO THE ASSEMBLED UNIT BY INSERTING THE DOWELS (HW9). THEN USE A PHILIPS HEAD SCREWDRIVER TO SCREW IN THE CAMLOCKS (HW6) AS SHOWN. ADJUST THE LEVELERS ON THE BOTTOM OF THE LEGS TO MAKE THE TABLE STRAIGHT.



3X

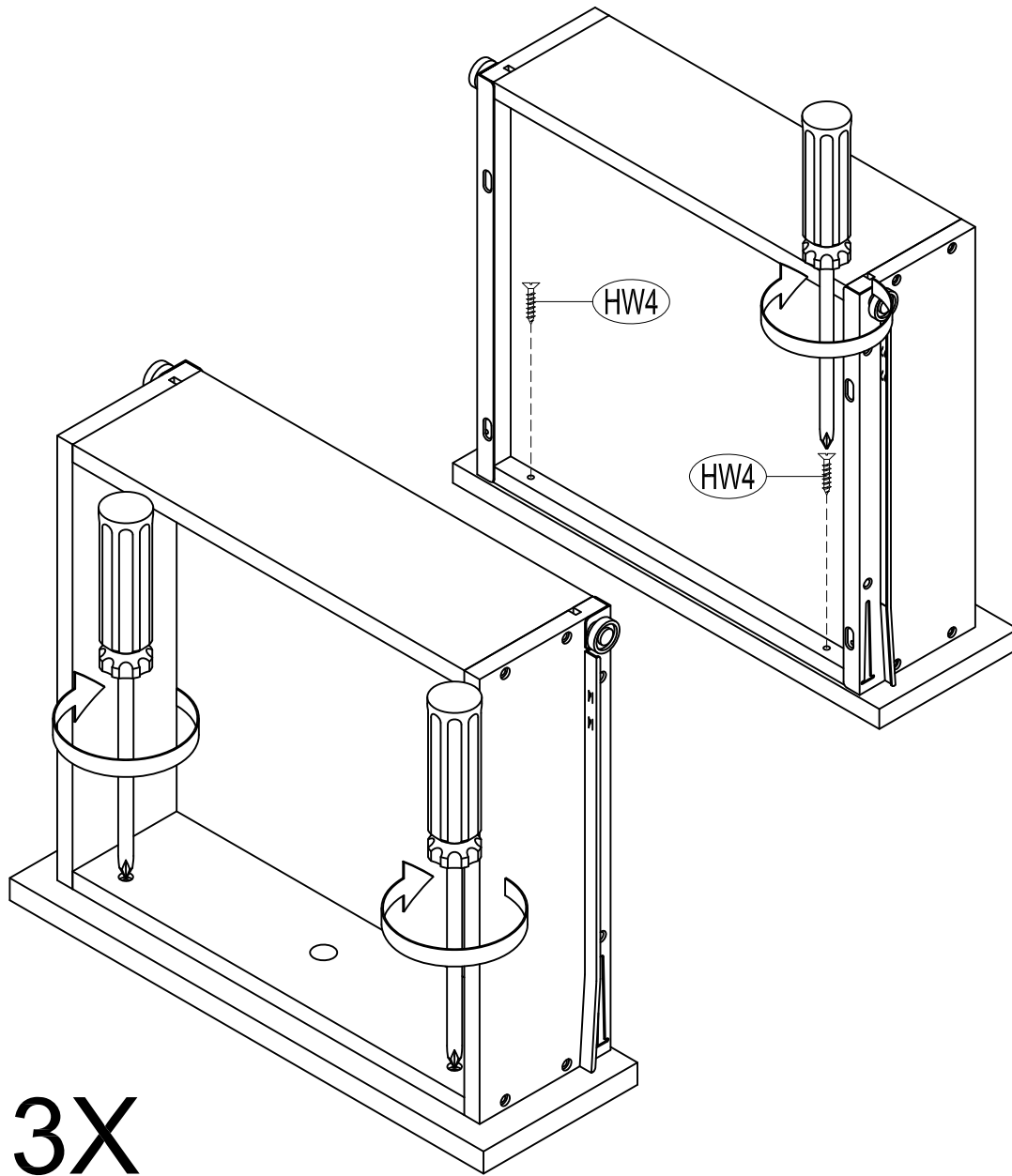
STEP 7 ATTACH THE HANDLE (HW8) TO THE DRAWER FRONT (H) BY SCREWING IN THE MACHINE SCREW (HW7). ATTACH THE DRAWER BACK (K) TO THE DRAWER LEFT (I) AND DRAWER RIGHT (J) BY USING A FLAT HEAD SCREWDRIVER TO SCREW IN THE FLAT HEAD SCREWS (HW3). SLIDE THE DRAWER BASE (L) INTO THE GROOVE. ATTACH THE DRAWER FRONT (H) TO THE DRAWER LEFT (I) AND DRAWER RIGHT (J) BY USING A FLAT HEAD SCREWDRIVER TO SCREW IN THE FLAT HEAD SCREWS (HW3). REPEAT THIS STEP FOR ALL 3 DRAWERS.



3X

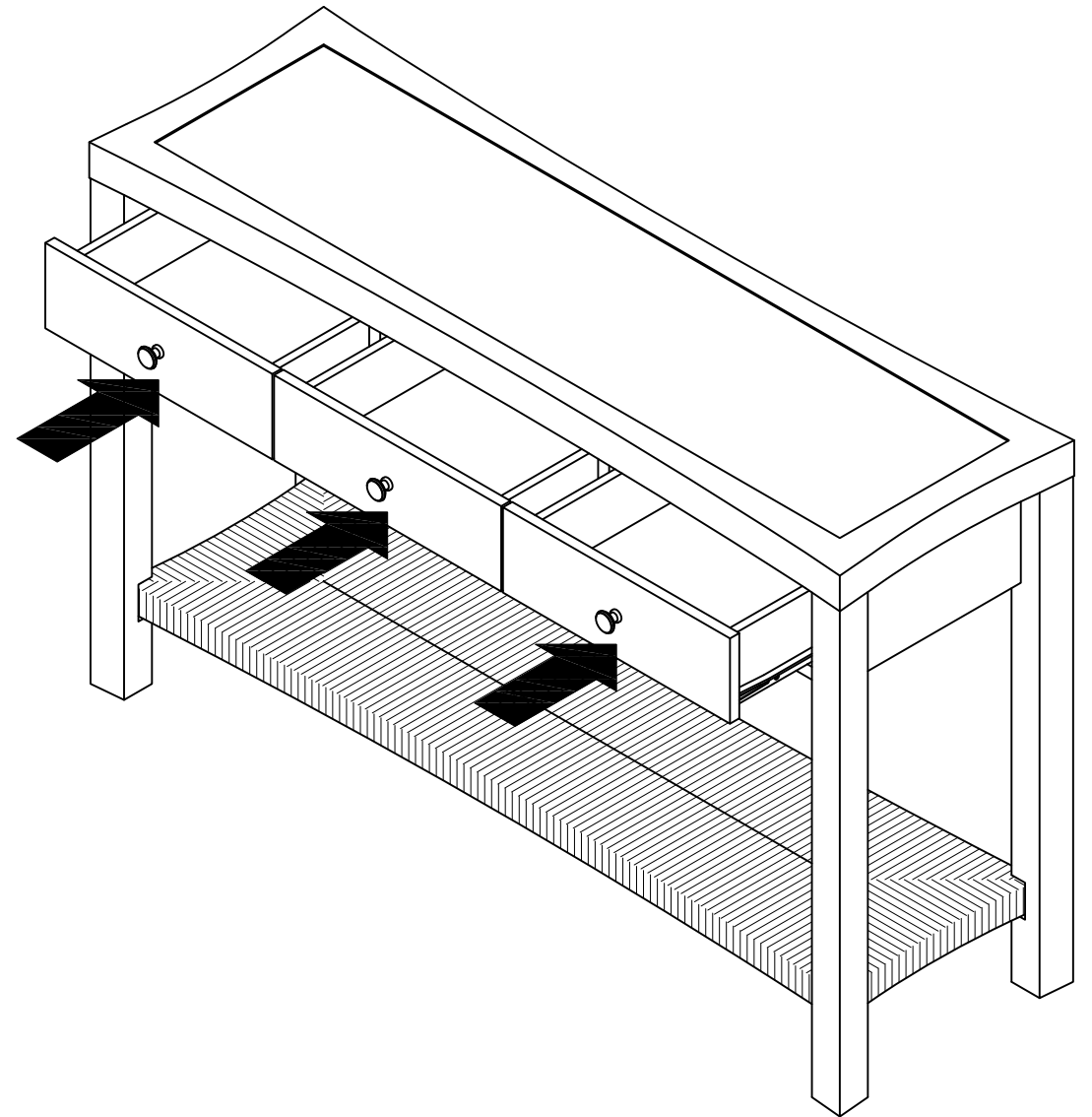
STEP 8 SLIGHTLY LOOSEN THE 2 SCREWS THAT WERE PRE-INSTALLED ON THE BACK OF THE DRAWER FRONT FOR ALL 3 DRAWERS.

STEP 9 INSERT THE ASSEMBLED DRAWERS INTO THE ASSEMBLED TABLE. ADJUST THE FRONT OF THE DRAWER LEFT AND RIGHT AND UP AND DOWN UNTIL THE DRAWER GAPS ARE PROPORTIONAL.



3X

STEP 10 PULL THE DRAWER OPEN SLOWLY AND TIGHTEN THE 2 SCREWS ON THE BACK OF THE DRAWER FRONT. MAKE SURE THE FRONT DRAWER PANEL DOES NOT MOVE WHILE YOU USE THE SCREWDRIVER TO SCREW IN THE FLAT HEAD SCREWS (HW4) BELOW THE DRAWER, ON THE BACK OF THE FRONT DRAWER PANEL AS SHOWN. REPEAT FOR ALL 3 DRAWERS.



STEP 11 SLIDE THE 3 DRAWERS INTO THE TABLE. THE PRODUCT IS NOW READY FOR USE.