




night table

Made In China

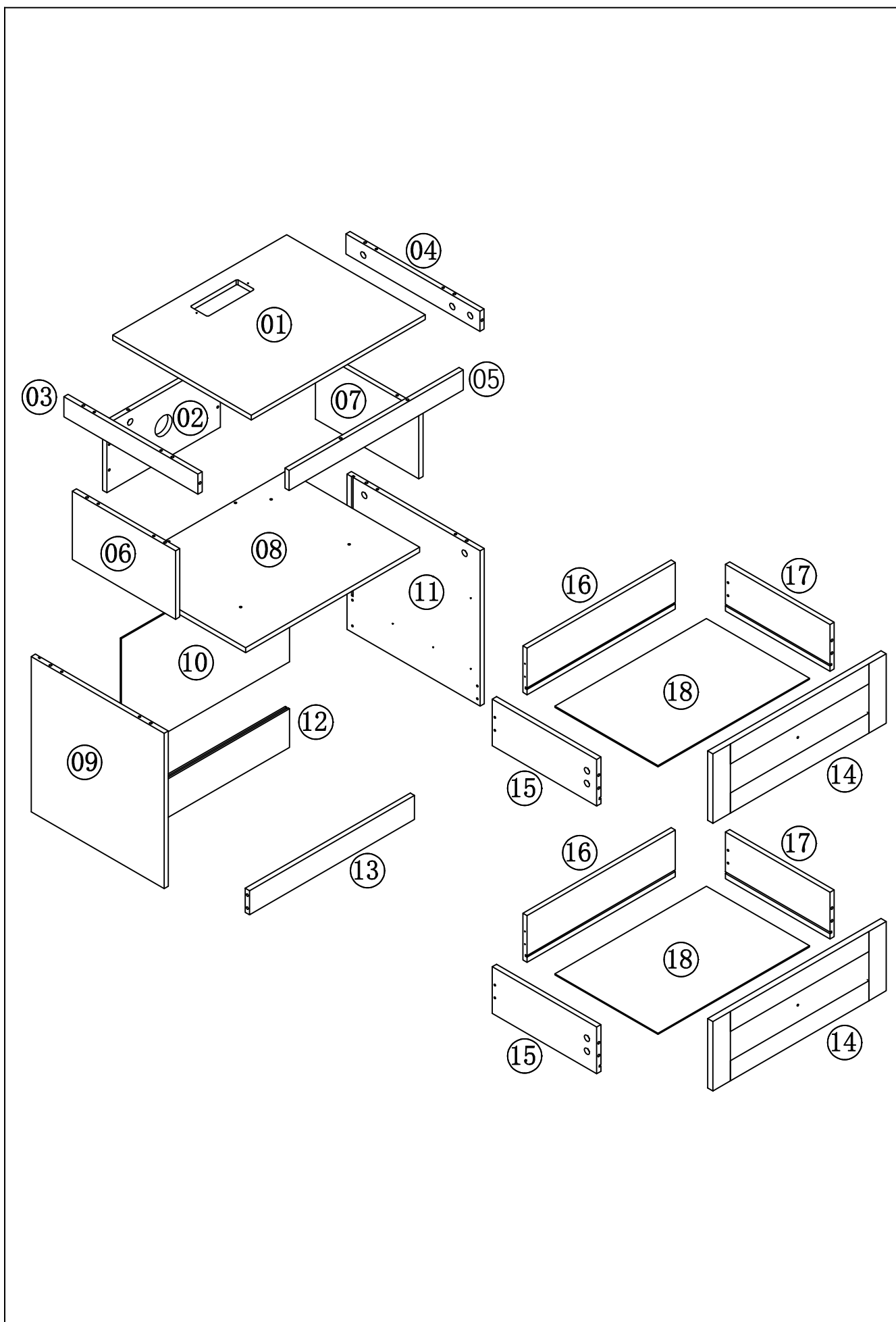
## WARNING

Serious or fatal injury may occur from unexpected assembly or use.

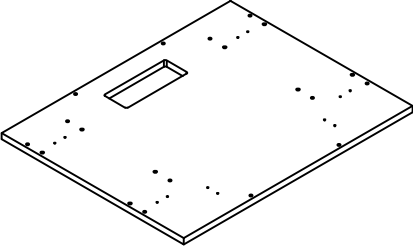
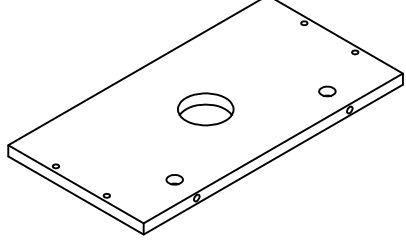
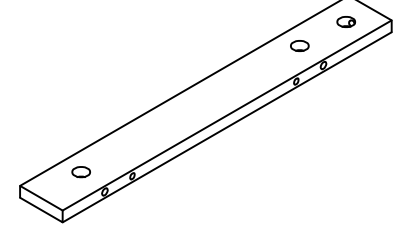
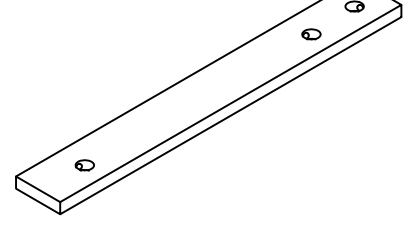
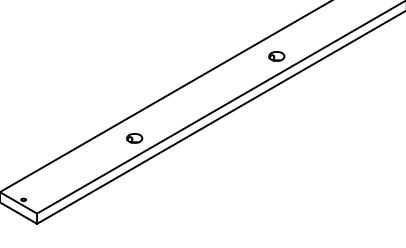
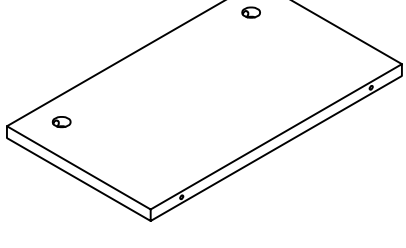
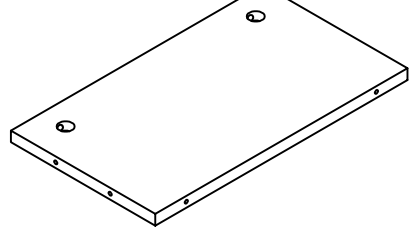
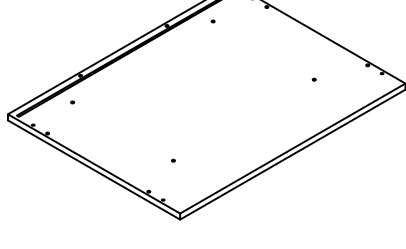
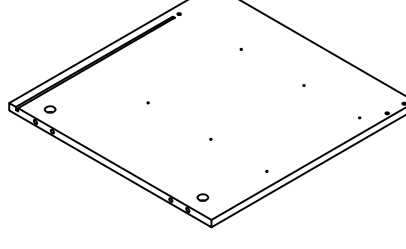
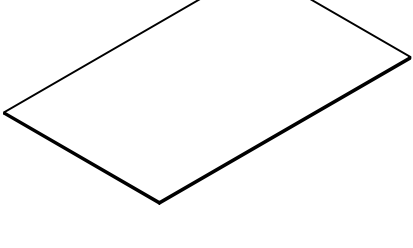
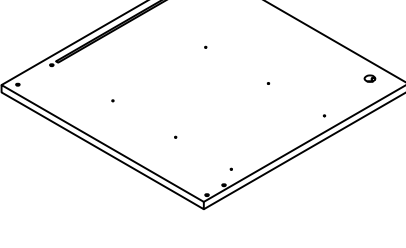
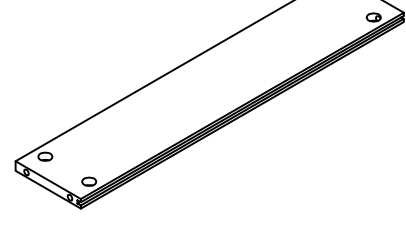
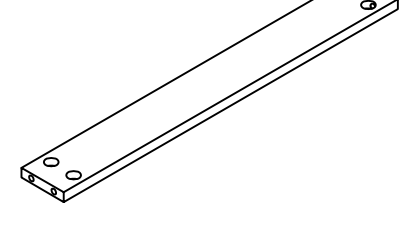
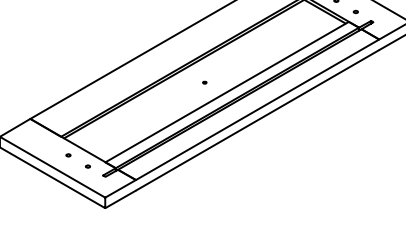
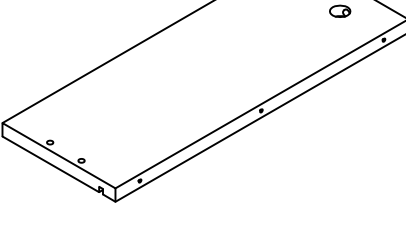
1. During the assembly process, keep all parts away from babies or children.
2. Always securely fix this product to the wall. Make sure the wall area to be drilled is free from hidden electrical wires, water and gas pipes.
3. Use of tip-over restraints may only reduce, but not eliminate the risk of tip-over.
4. Unless specially designed to accommodate, do not set heavy objects on top of this product.
5. Place the heaviest items on the lowest shelf.
6. Never allow children to climb or bang on drawers, doors or shelves.

 <b>WARNING</b>	
	<p>Children have died from furniture tipover. To reduce the risk of furniture tipover:</p> <ul style="list-style-type: none"><li>● <b>ALWAYS</b> install tipover restraint provided.</li><li>● <b>NEVER</b> put a TV on this product.</li><li>● <b>NEVER</b> allow children to stand, climb or hang on drawers, doors, or shelves.</li><li>● <b>NEVER</b> open more than one drawer at a time.</li><li>● Place heaviest items in the lowest drawers.</li></ul>
	

# Parts List(EN)/Teile Liste(DE)

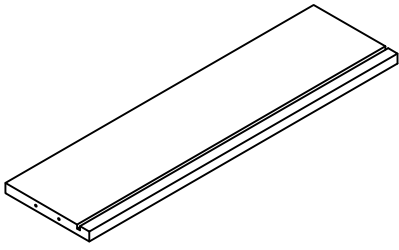


# Parts List(EN)/Teile Liste(DE)

<p>①</p>  <p>500*398*12mm 1 PC</p>	<p>②</p>  <p>170*326*12mm 1 PC</p>	<p>③</p>  <p>385*50*12mm 1 PC</p>
<p>④</p>  <p>385*50*12mm 1 PC</p>	<p>⑤</p>  <p>500*50*12mm 1 PC</p>	<p>⑥</p>  <p>170*297*12mm 1 PC</p>
<p>⑦</p>  <p>170*297*12mm 1 PC</p>	<p>⑧</p>  <p>500*382*12mm 1 PC</p>	<p>⑨</p>  <p>386*382*12mm 1 PC</p>
<p>⑩</p>  <p>483*299*3mm 1 PC</p>	<p>⑪</p>  <p>386*382*12mm 1 PC</p>	<p>⑫</p>  <p>474*96*12mm 1 PC</p>
<p>⑬</p>  <p>474*60*12mm 1 PC</p>	<p>⑭</p>  <p>498*172.5*15mm 2 PCS</p>	<p>⑮</p>  <p>300*116*12mm 2 PCS</p>

# Parts List(EN)/Teile Liste(DE)

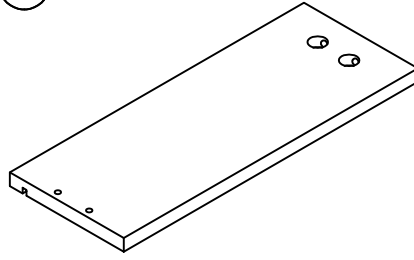
①⑥



426\*116\*12mm

2 PCS

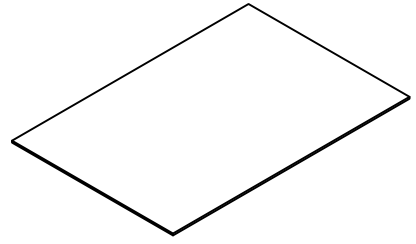
①⑦



300\*116\*12mm

2 PCS

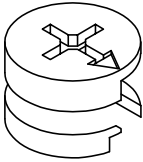
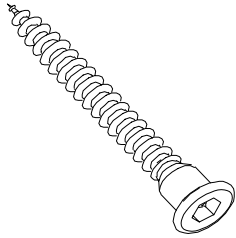
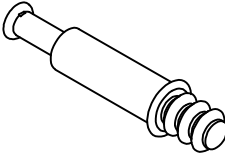
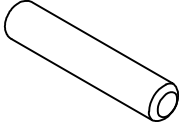
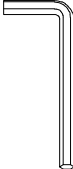
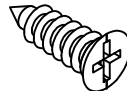
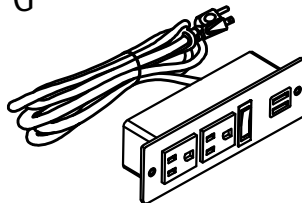
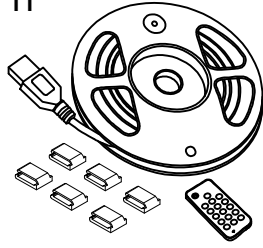
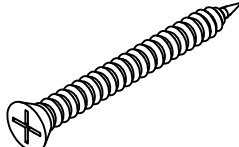
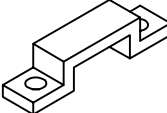
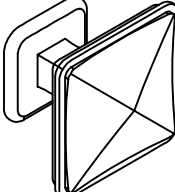
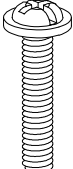
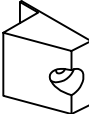
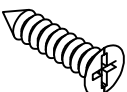
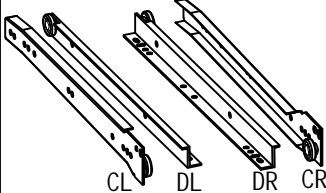
①⑧



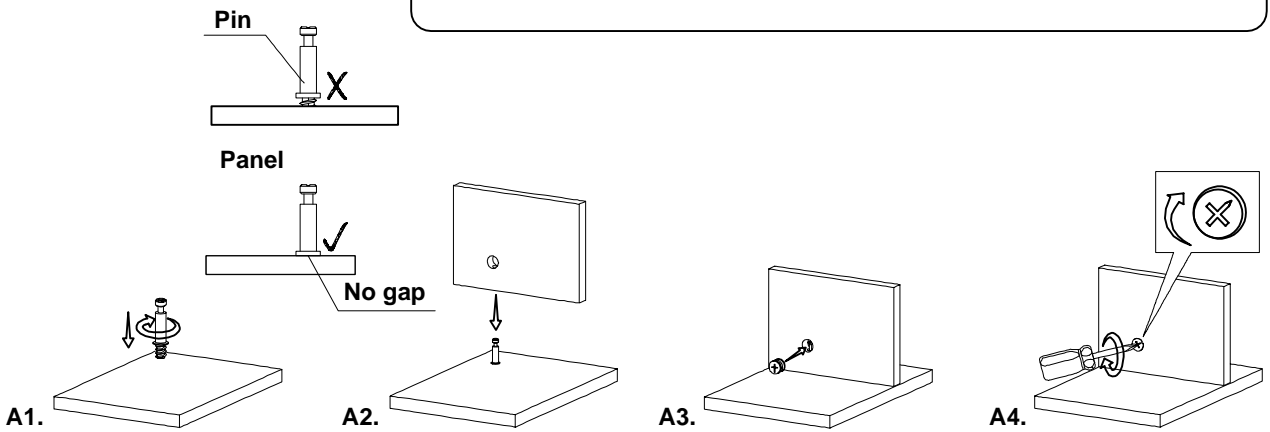
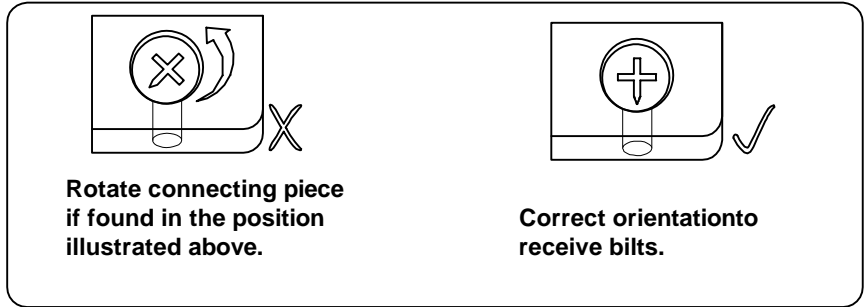
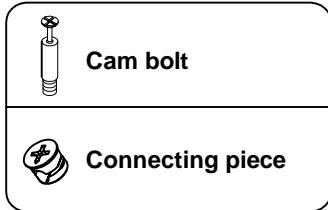
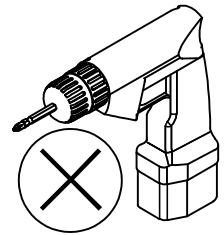
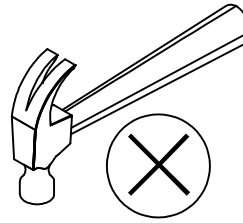
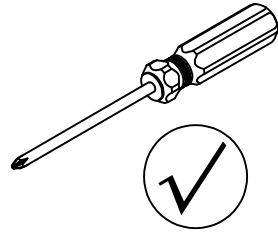
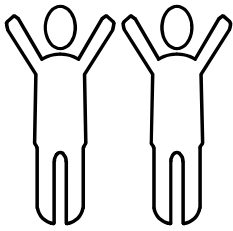
435\*296\*3mm

2 PCS

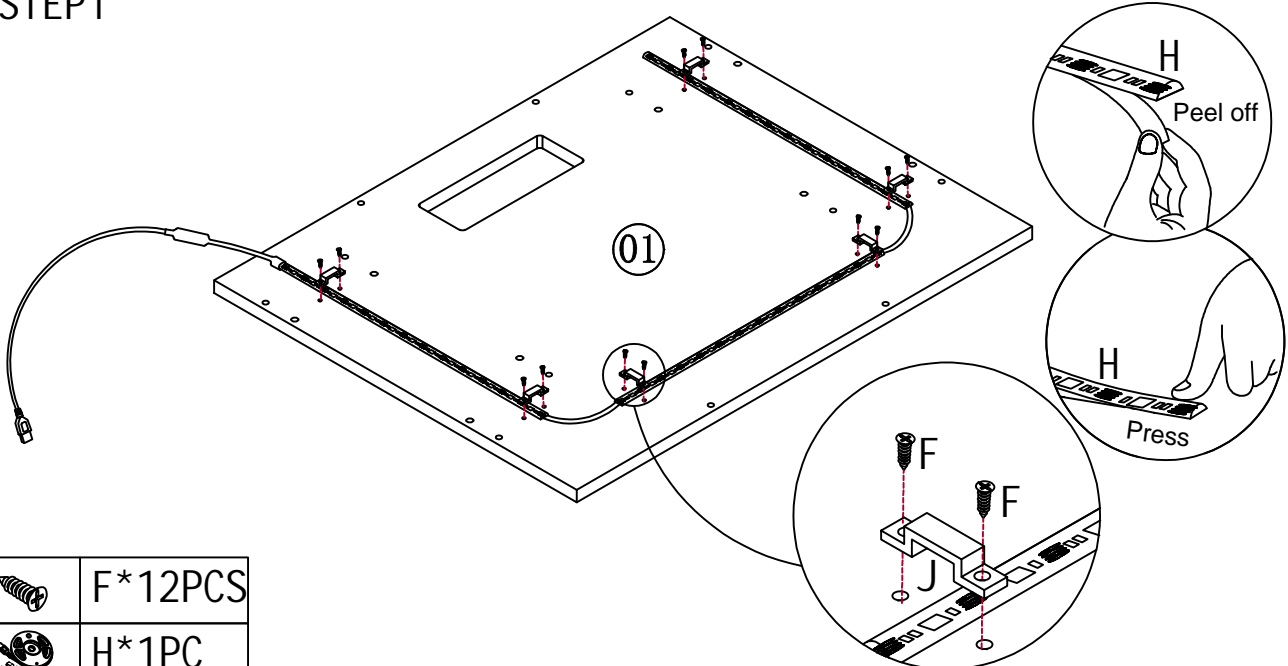
# Hardware List(EN)/Teile Liste(DE)

<p>A</p>  <p>∅15*10mm 34PCS</p>	<p>B</p>  <p>∅5*45mm 10PCS</p>	<p>C</p>  <p>∅6*35mm 34PCS</p>	<p>D</p>  <p>∅6*30mm 12PCS</p>
<p>E</p>  <p>M4 1PC</p>	<p>F</p>  <p>∅3*12mm 38PCS</p>	<p>G</p>  <p>1500 (170x54x40) 1PC</p>	<p>H</p>  <p>1PC</p>
<p>I</p>  <p>∅4*35mm 8PCS</p>	<p>J</p>  <p>28*6.5*5.5mm 6PCS</p>	<p>K</p>  <p>30*30*24mm 2PCS</p>	<p>L</p>  <p>∅4*10mm 2PCS</p>
<p>M</p>  <p>13*13*11mm 4PCS</p>	<p>N</p>  <p>∅3*16mm 4PCS</p>	<p>O</p>  <p>12inch 2PCS</p>	

# Assembly(EN) /Montageschritte(DE)



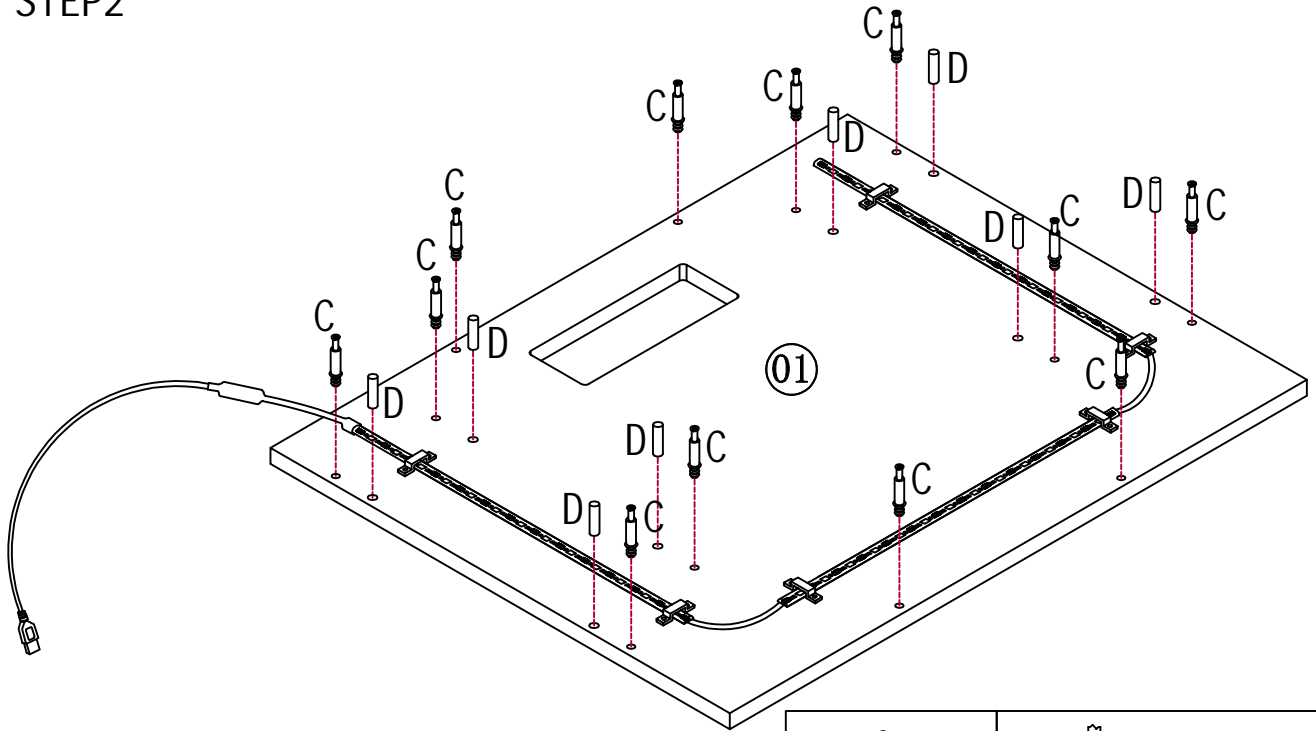
## STEP1





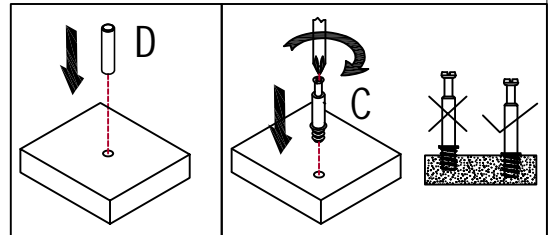
	F*12PCS
	H*1PC
	J*6PCS

# Assembly(EN) /Montageschritte(DE)

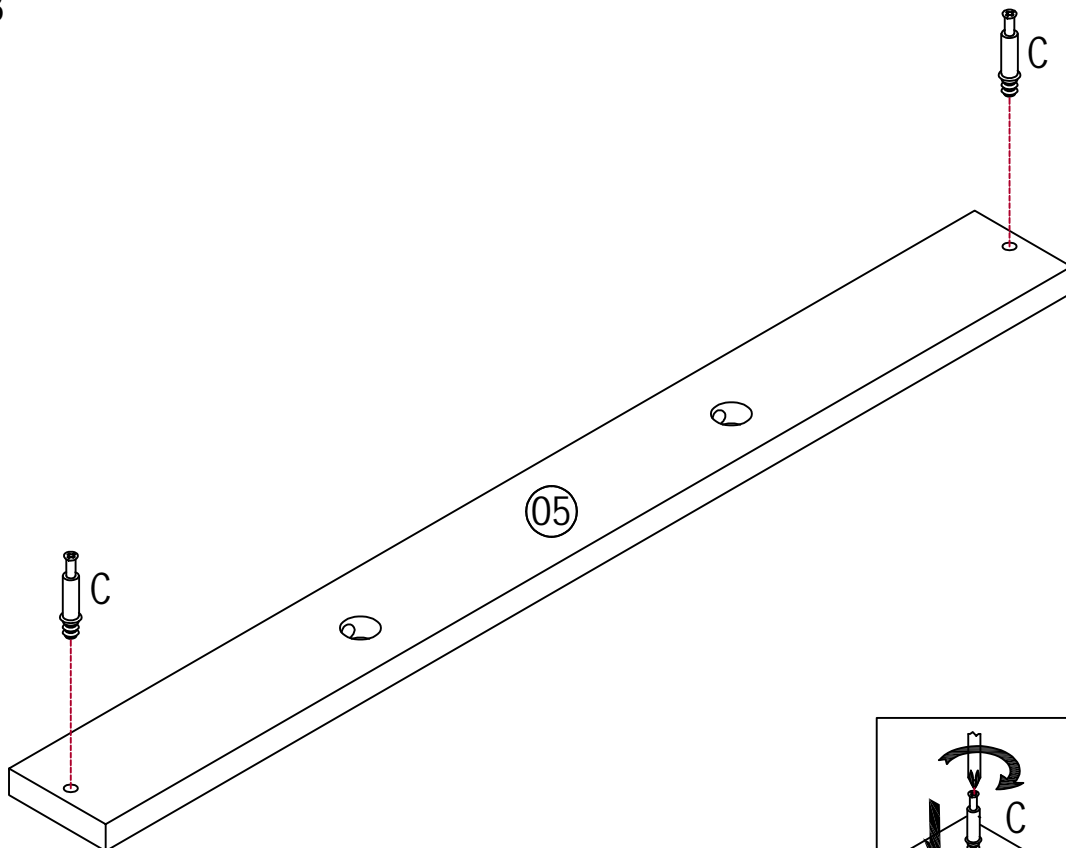
## STEP2




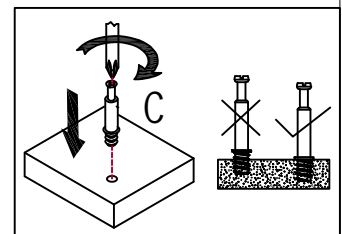
	C*12PCS
	D*8PCS



## STEP3

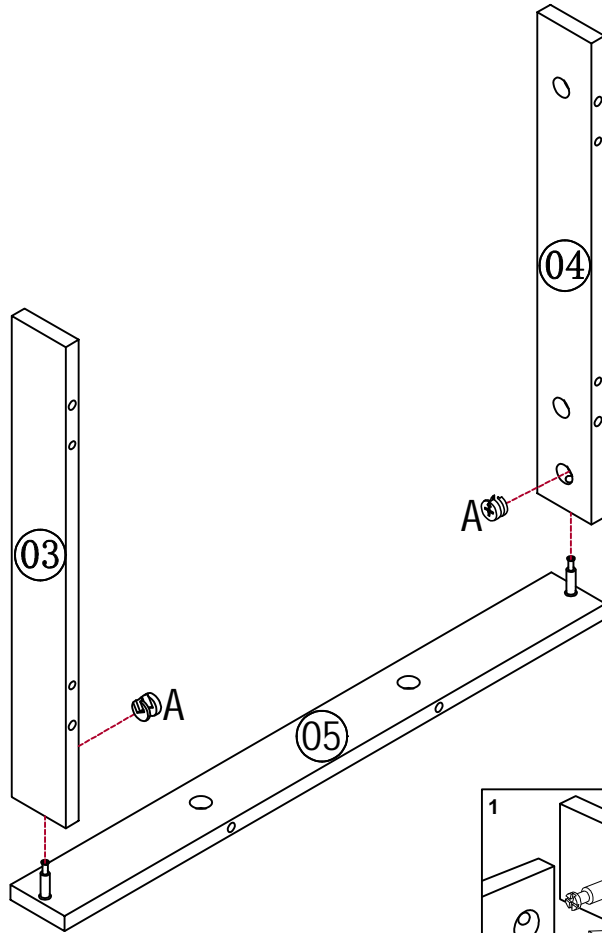


	C*2PCS
---	--------

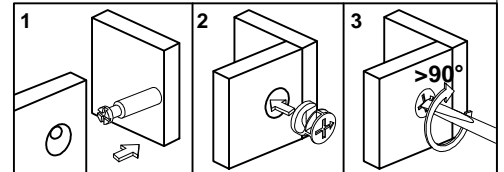


# Assembly(EN) /Montageschritte(DE)

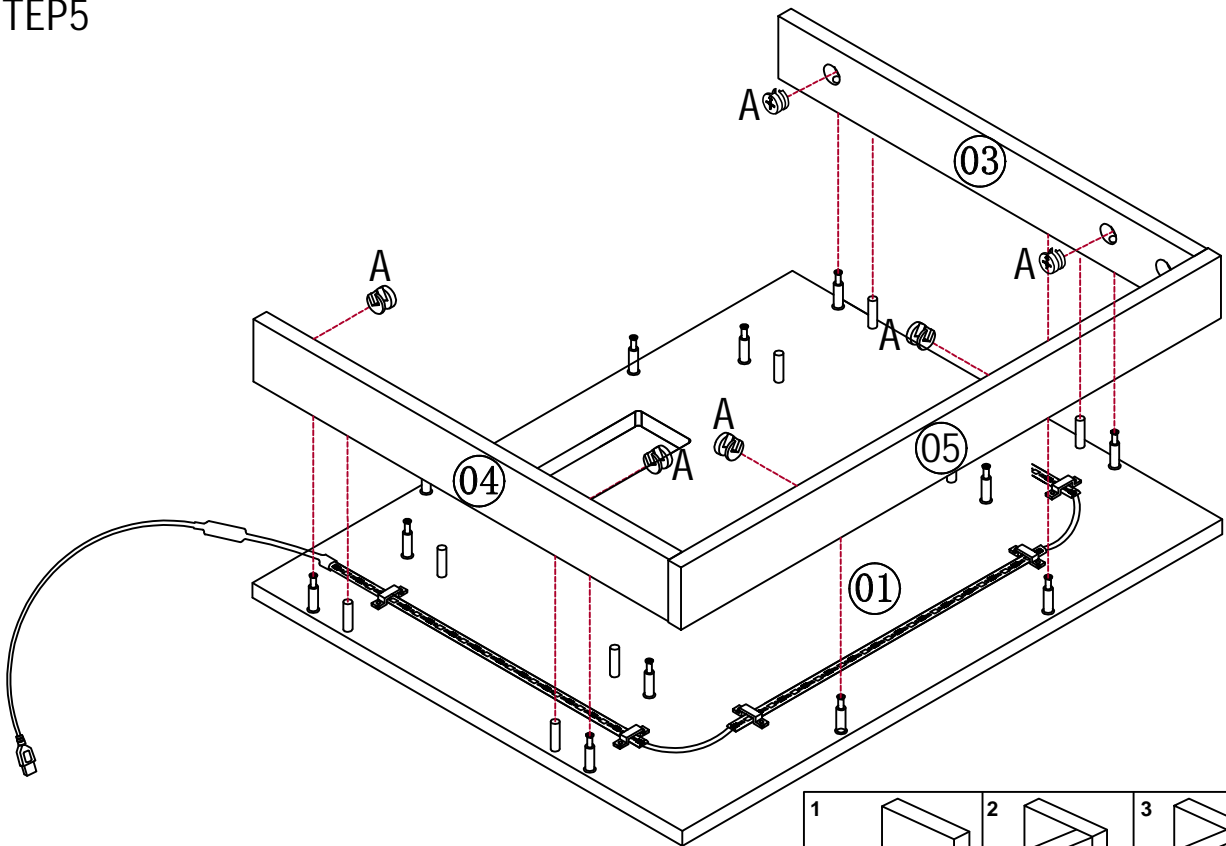
STEP4



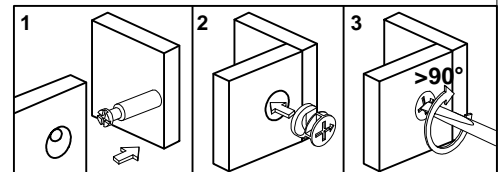
A\*2PCS



STEP5

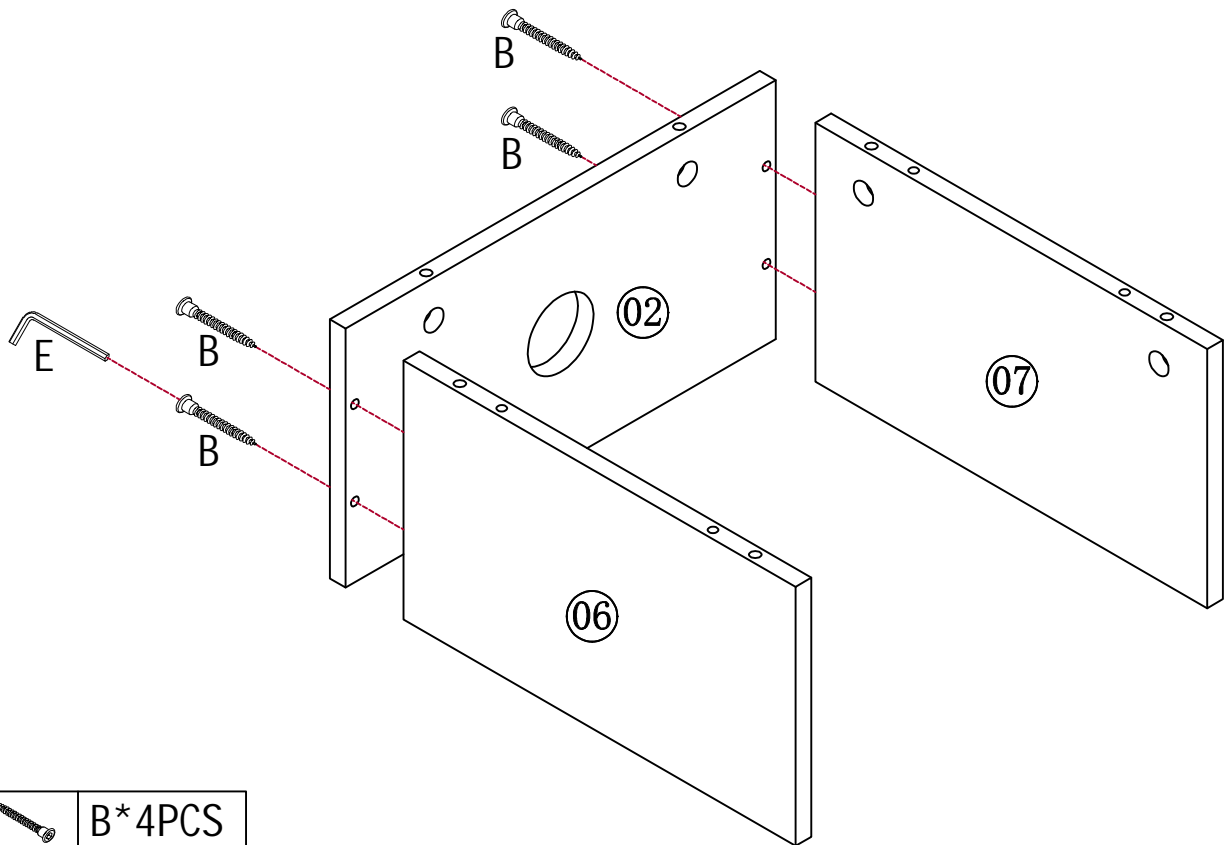




A\*6PCS



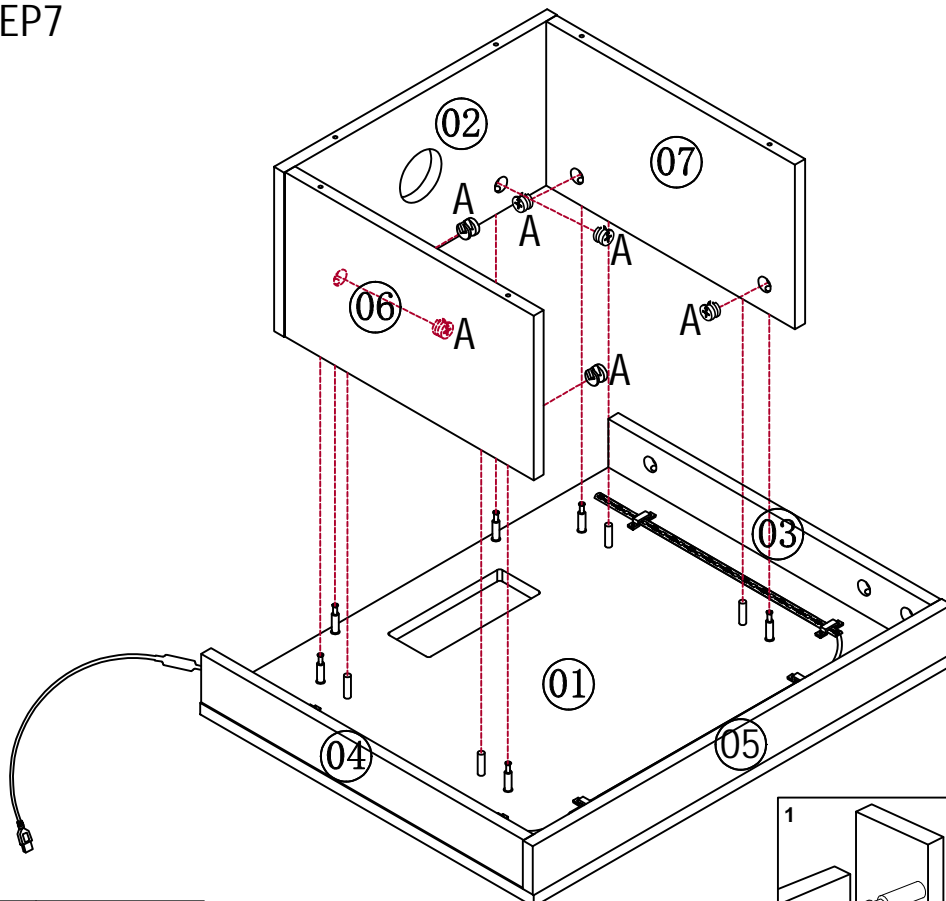
# Assembly(EN) /Montageschritte(DE)


## STEP6

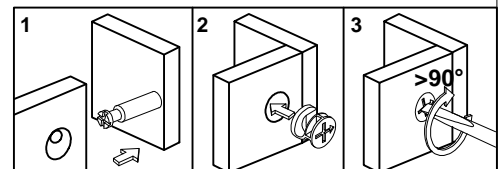


	B*4PCS
	E*1PC

## STEP7

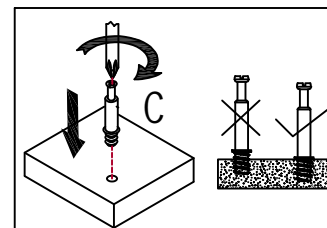
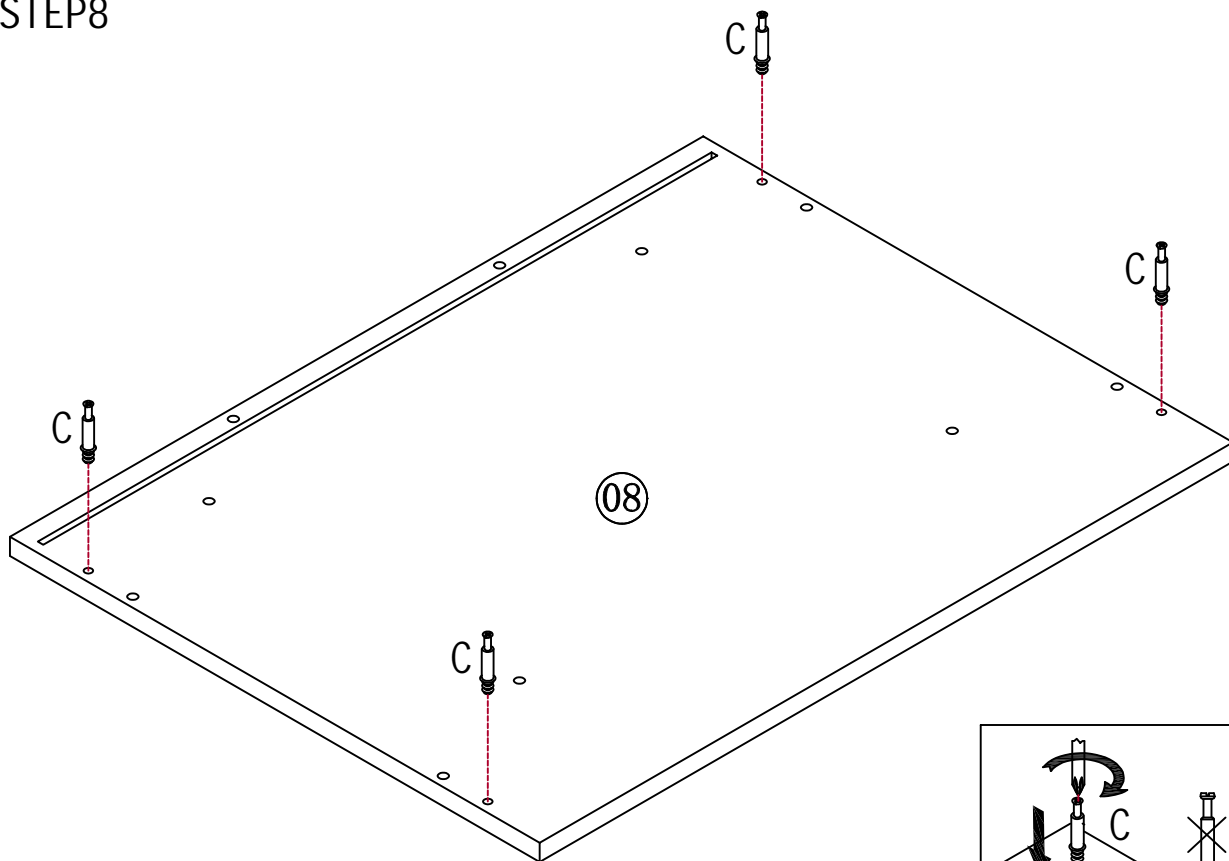


	A*6PCS
---	--------



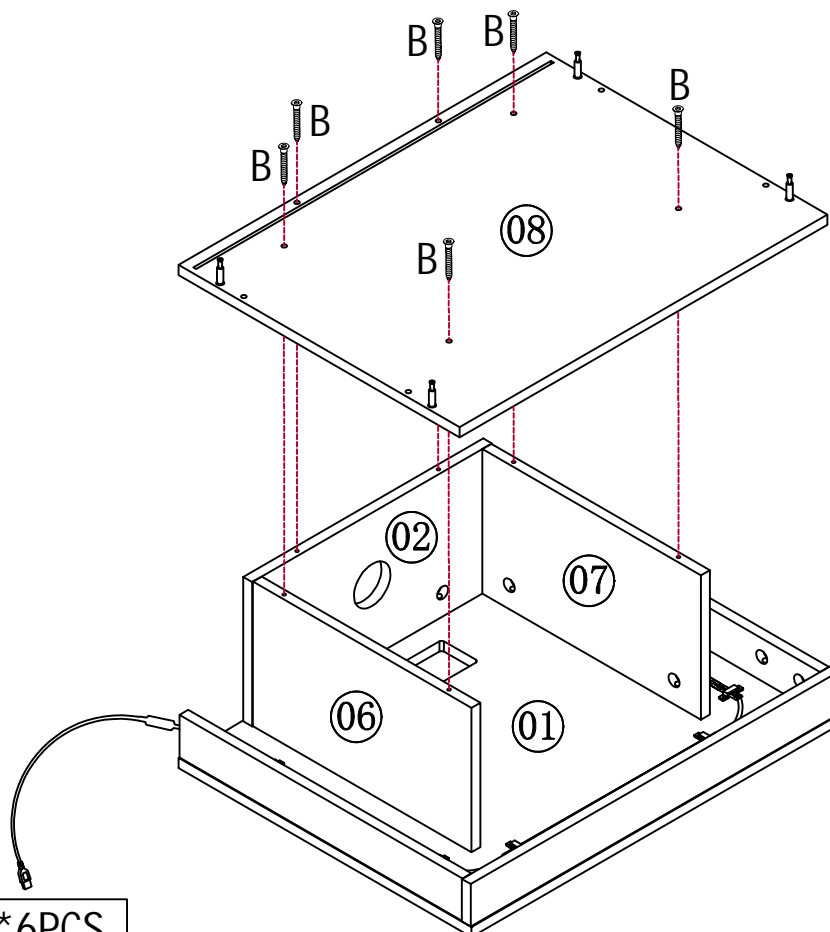
# Assembly(EN)/Montageschritte(DE)

STEP8



C\*4PCS

STEP9

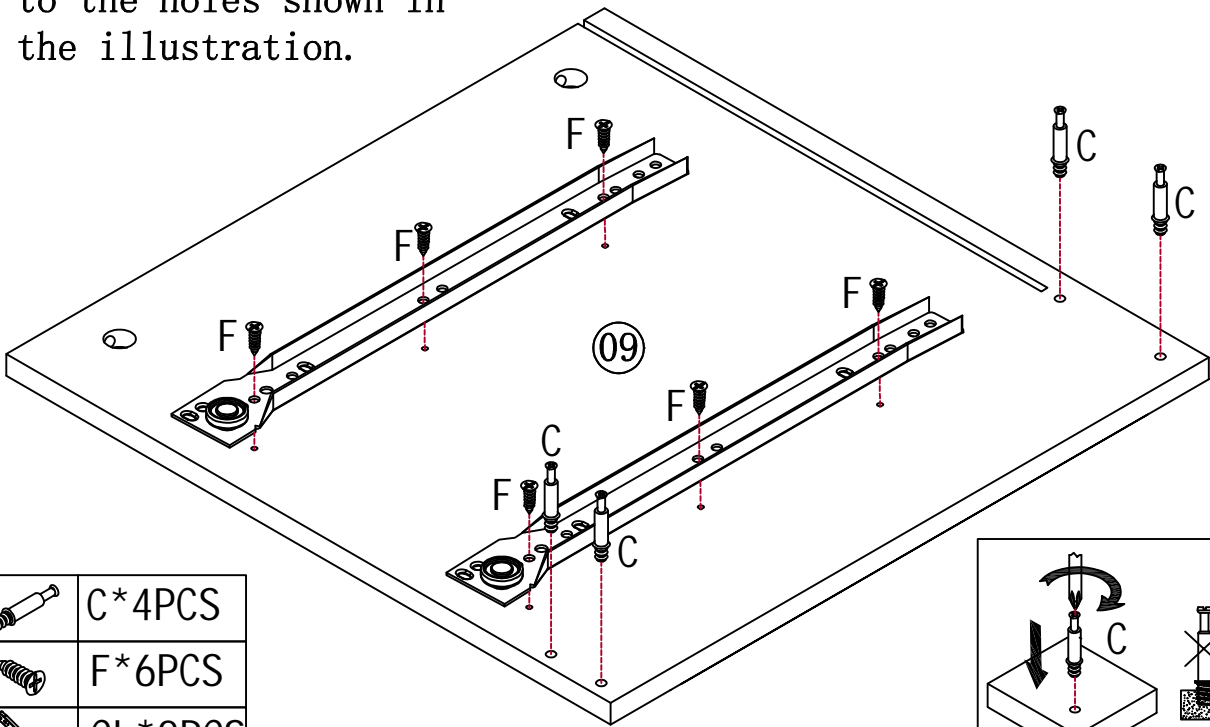
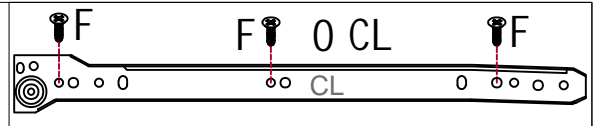





B\*6PCS

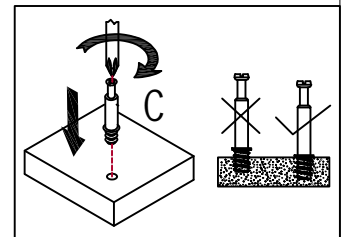
# Assembly(EN) /Montageschritte(DE)

## STEP10

Lock the slides on to the plate according to the holes shown in the illustration.

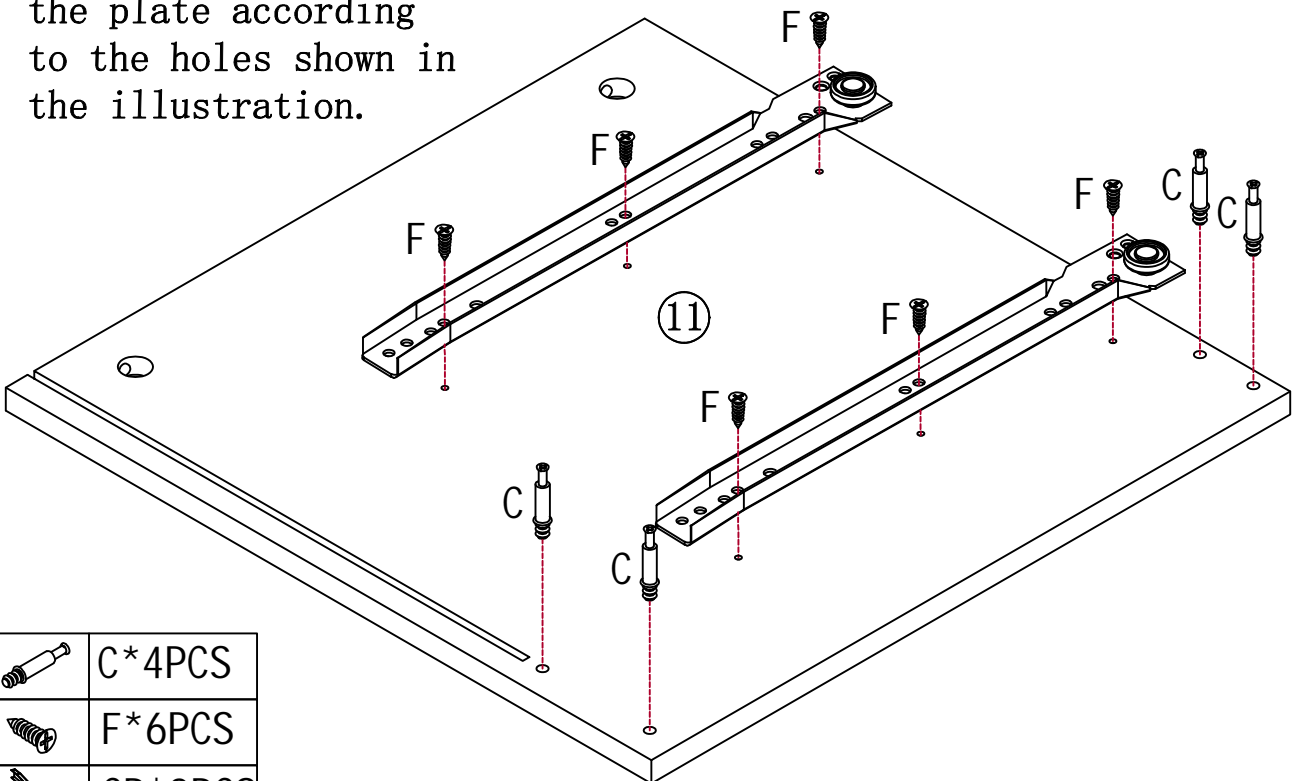
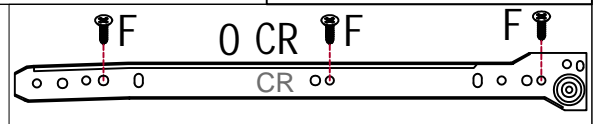





	C*4PCS
	F*6PCS
	CL*2PCS



## STEP11

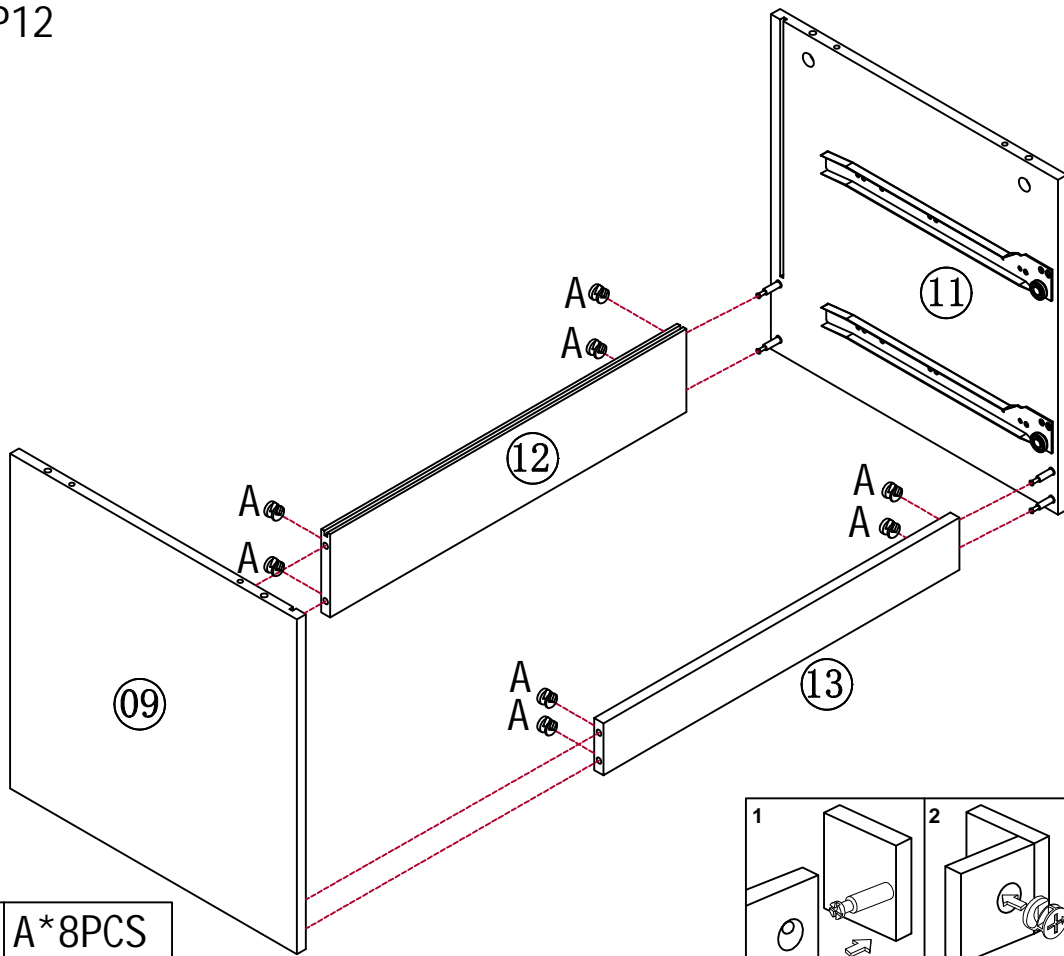
Lock the slides on to the plate according to the holes shown in the illustration.



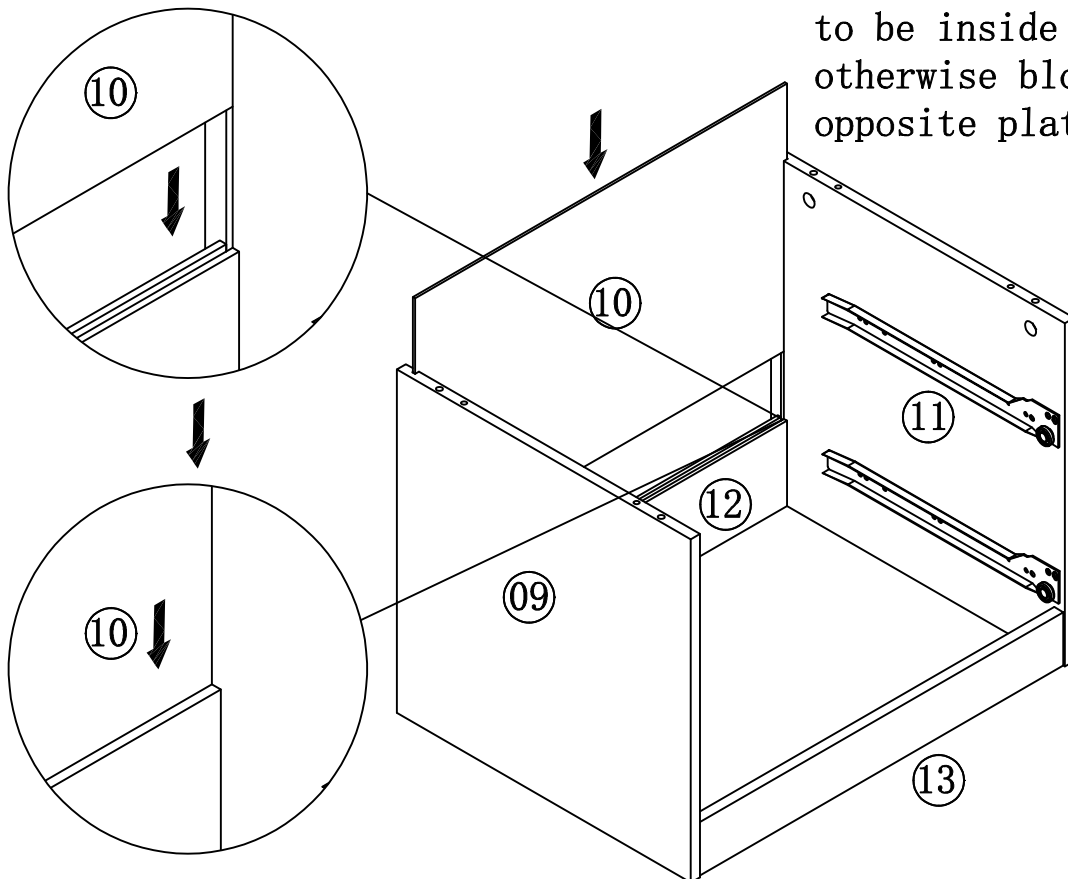
	C*4PCS
	F*6PCS
	CR*2PCS

# Assembly(EN)/Montageschritte(DE)

## STEP12

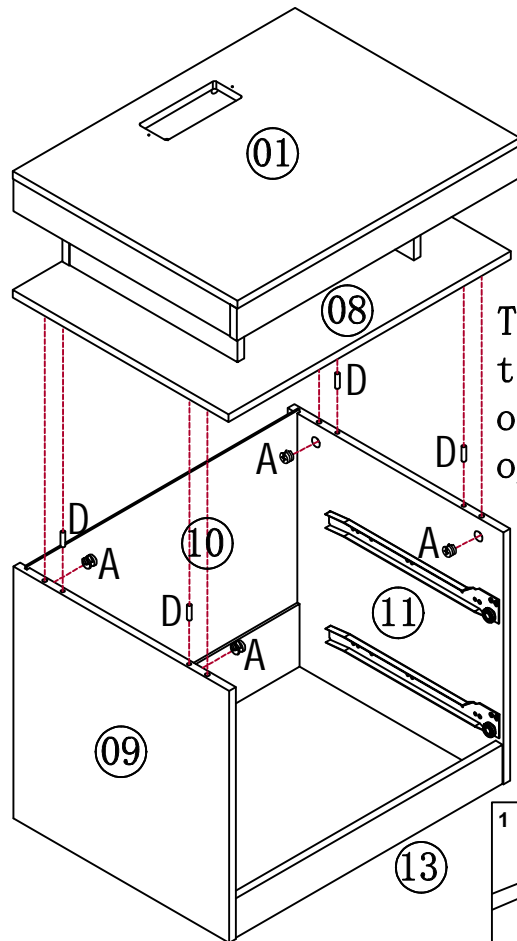


## STEP13

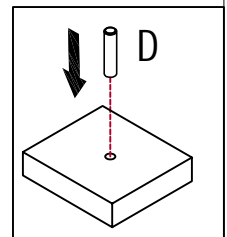




# Assembly(EN) /Montageschritte(DE)

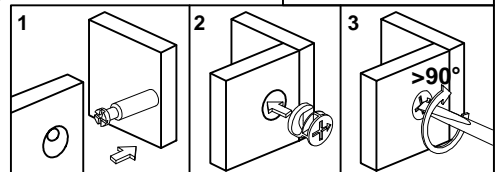
## STEP14



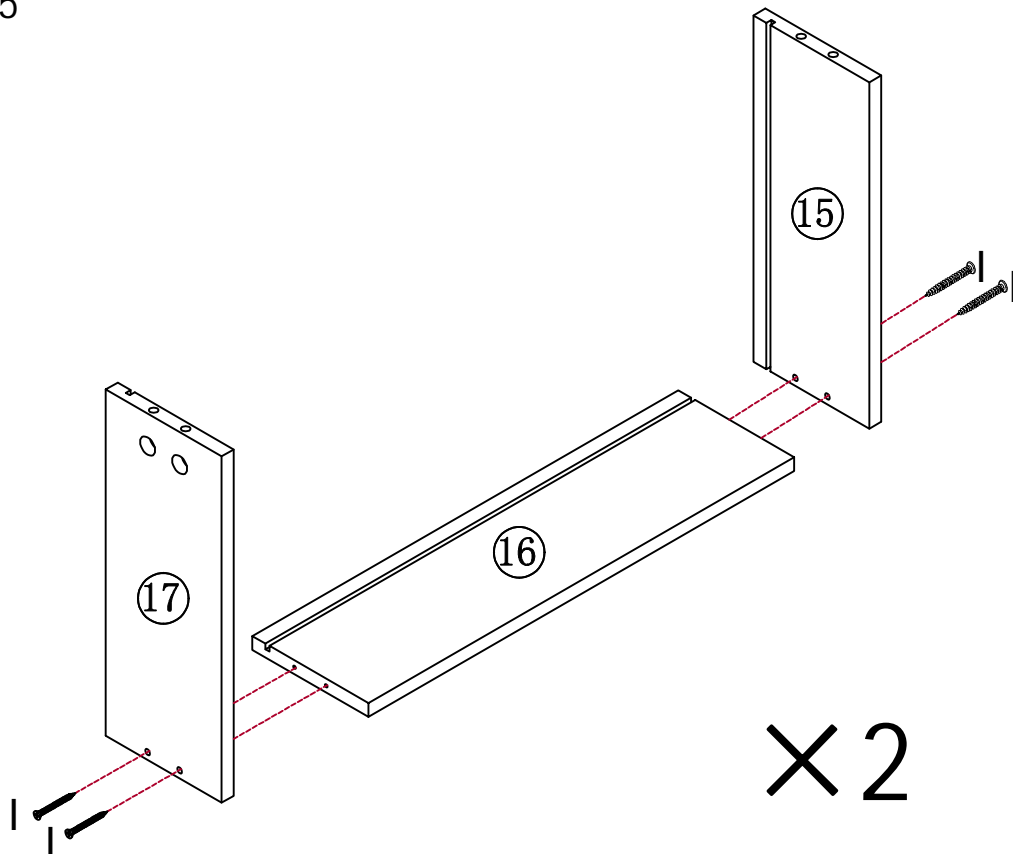
Thin back board needs to be inside the slot, otherwise blocks the opposite plate montage.




	A*4PCS
	D*4PCS



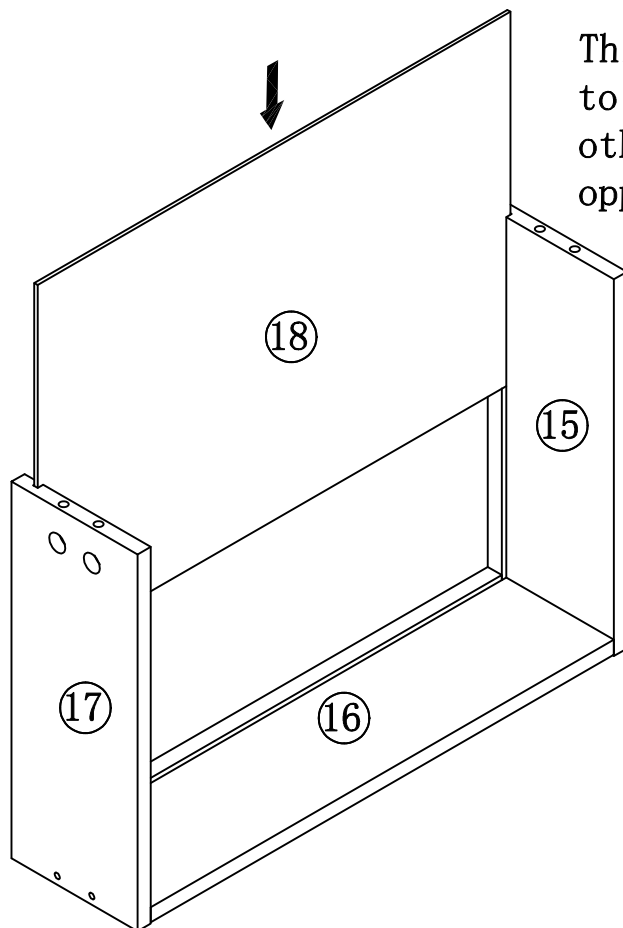
## STEP15



	I*8PCS
---	--------

# Assembly(EN)/Montageschritte(DE)

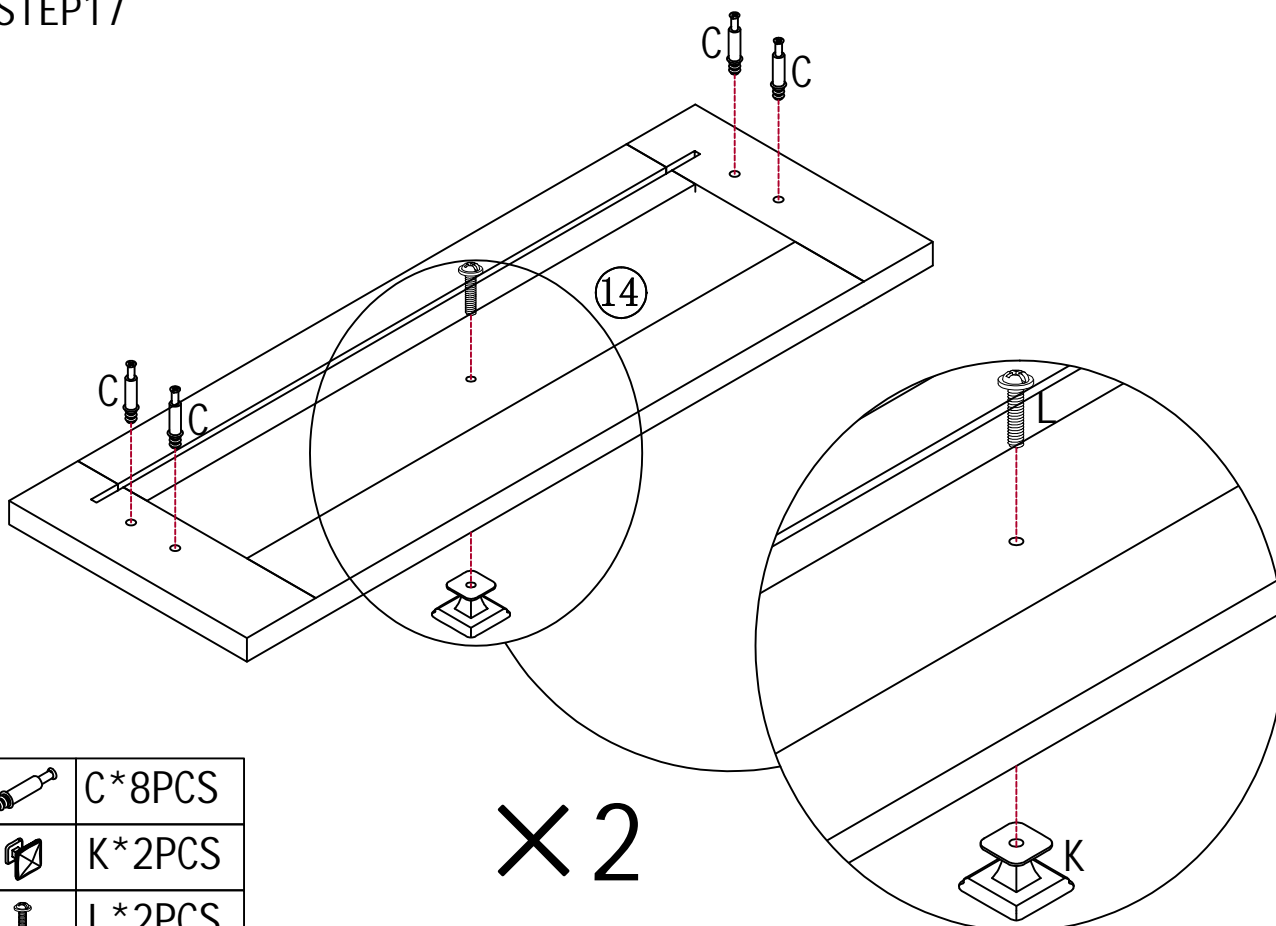
STEP16






Thin back board needs to be inside the slot, otherwise blocks the opposite plate montage.

×2

STEP17



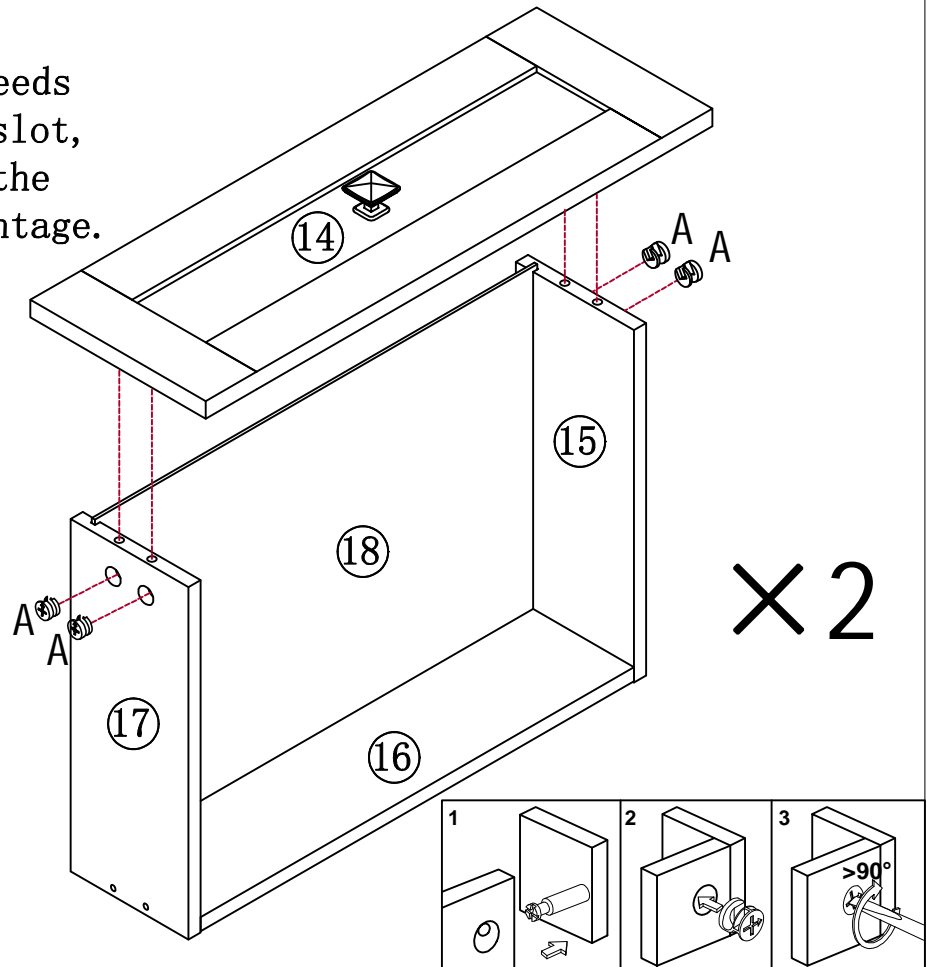
×2

	C*8PCS
	K*2PCS
	L*2PCS

# Assembly(EN)/Montageschritte(DE)

## STEP18

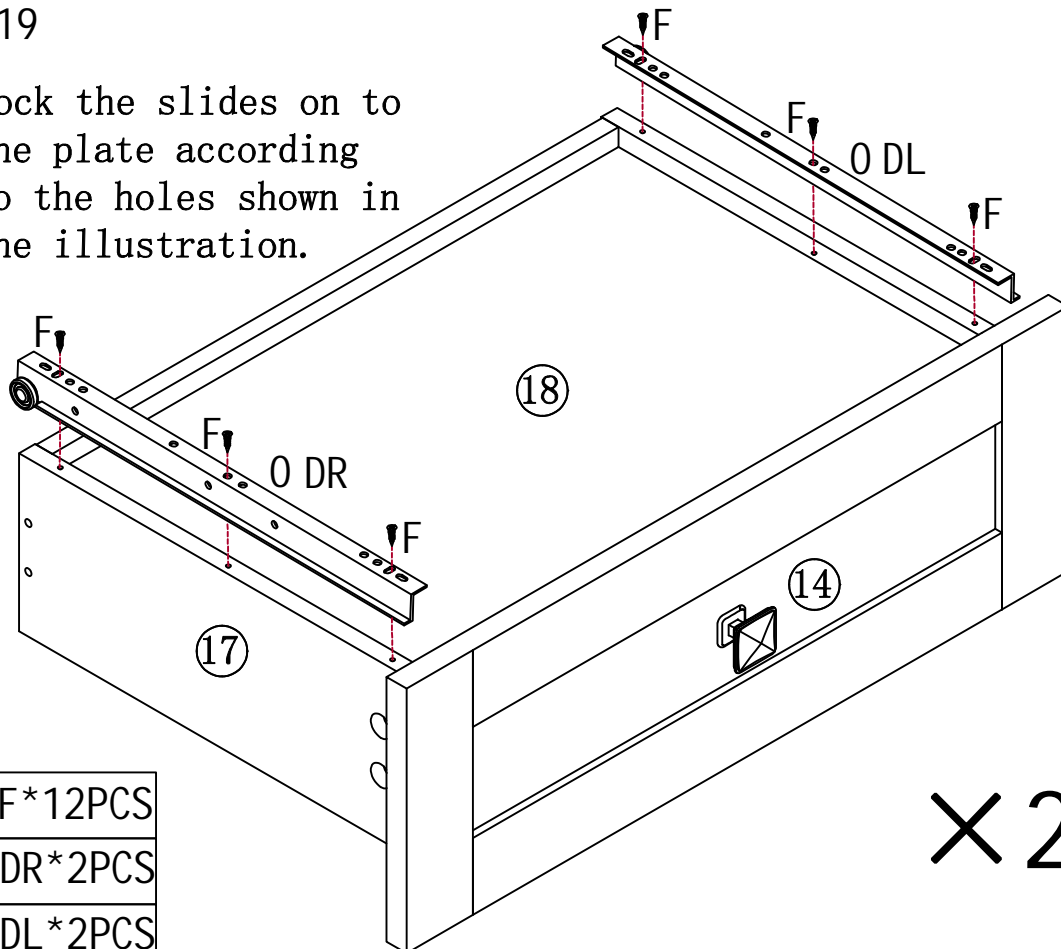
Thin back board needs to be inside the slot, otherwise blocks the opposite plate montage.



A\*8PCS

## STEP19

Lock the slides on to the plate according to the holes shown in the illustration.



F\*12PCS



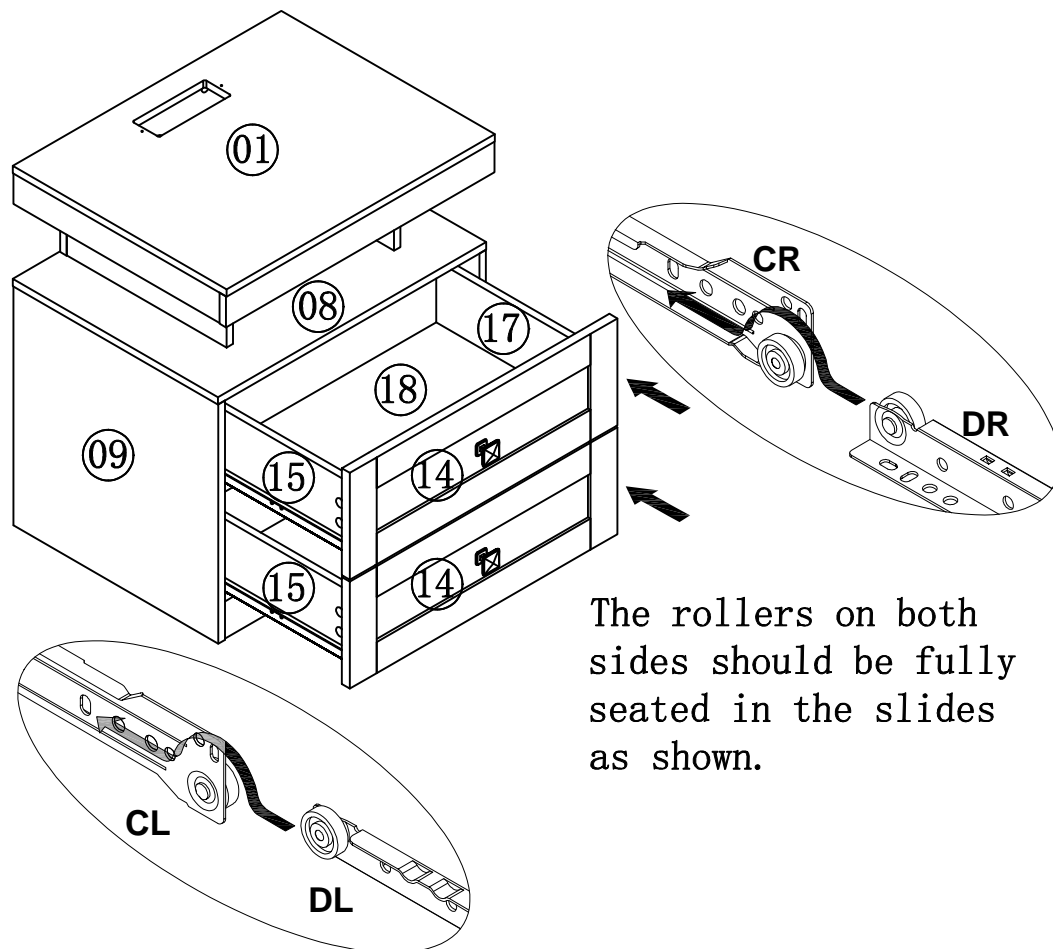
DR\*2PCS



DL\*2PCS

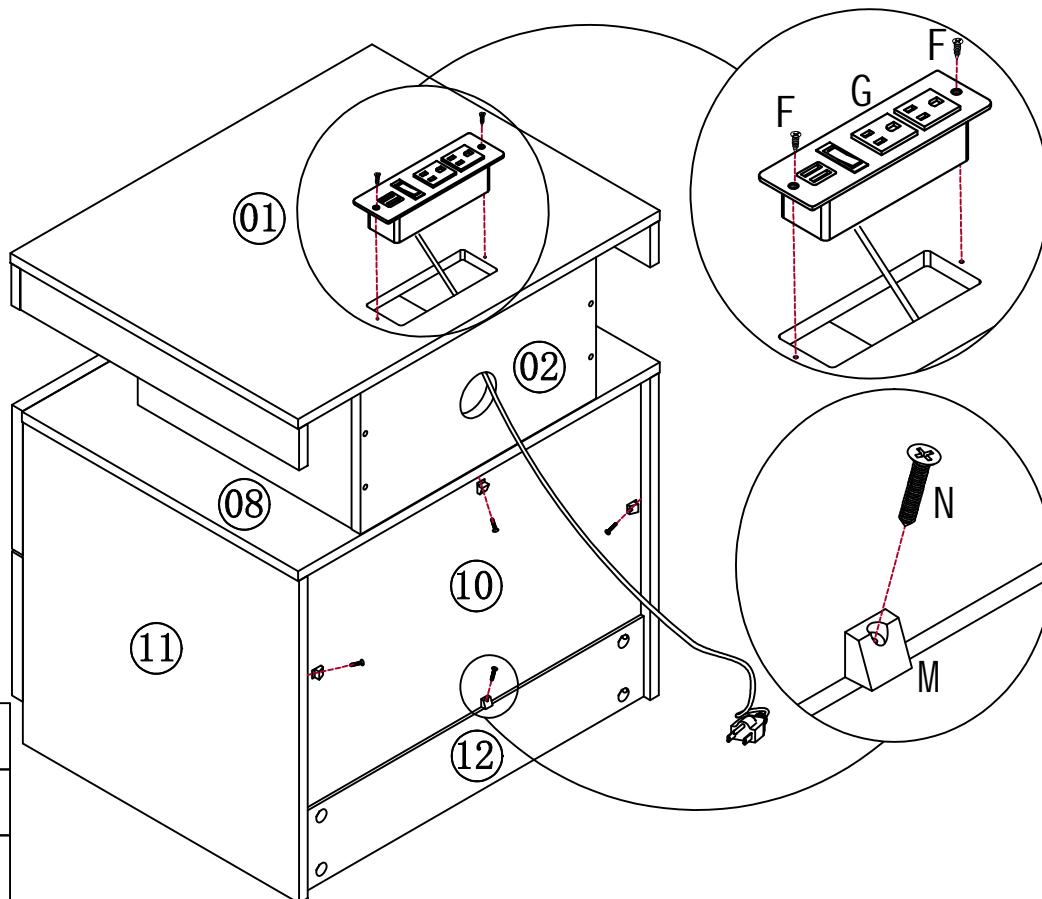
# Assembly(EN) /Montageschritte(DE)





## STEP20



The rollers on both sides should be fully seated in the slides as shown.

## STEP21



	F*2PCS
	G*1PC
	M*4PCS
	N*4PCS

# Assembly(EN) /Montageschritte(DE)

STEP22

