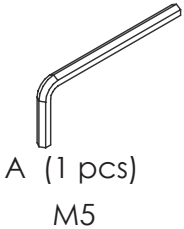
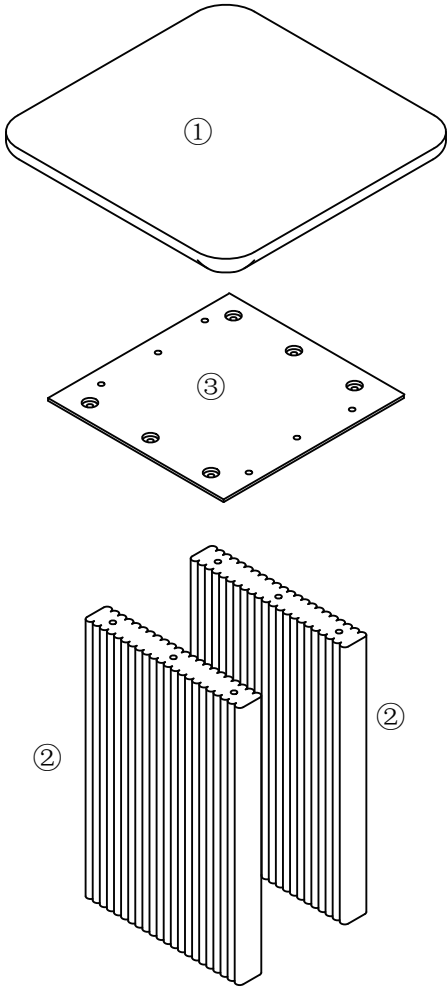
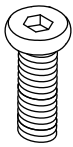


# Assembly Instructions CADEN-20 SIDE TABLE

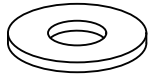
PLEASE NOTE: Check that you have received all components and hardware before assembling. If you are missing any parts, contact your retailer.



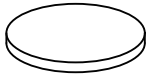
A (1 pcs)  
M5



B (12 pcs)  
Ø8x30mm



C (12 pcs)  
Ø8x20mm



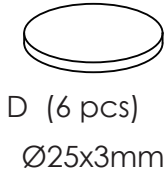
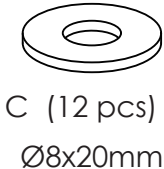
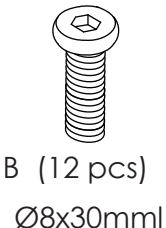
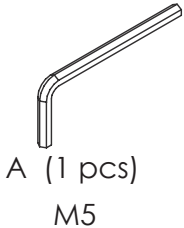
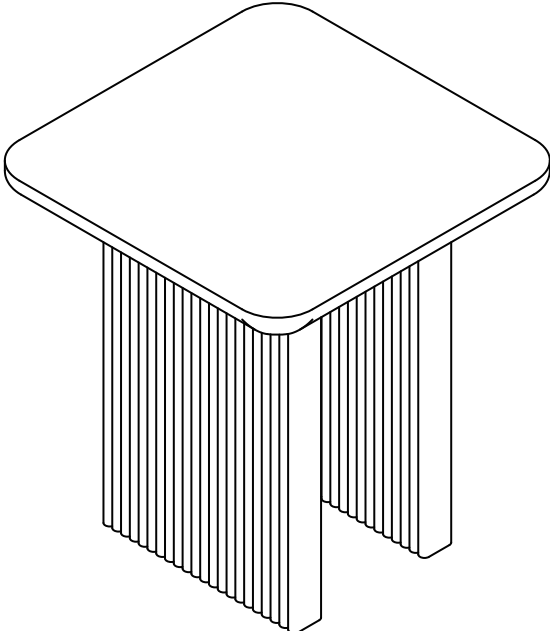
D (6 pcs)  
Ø25x3mm

During assembly, hand tighten screws only. When the screws are in place, tighten completely.

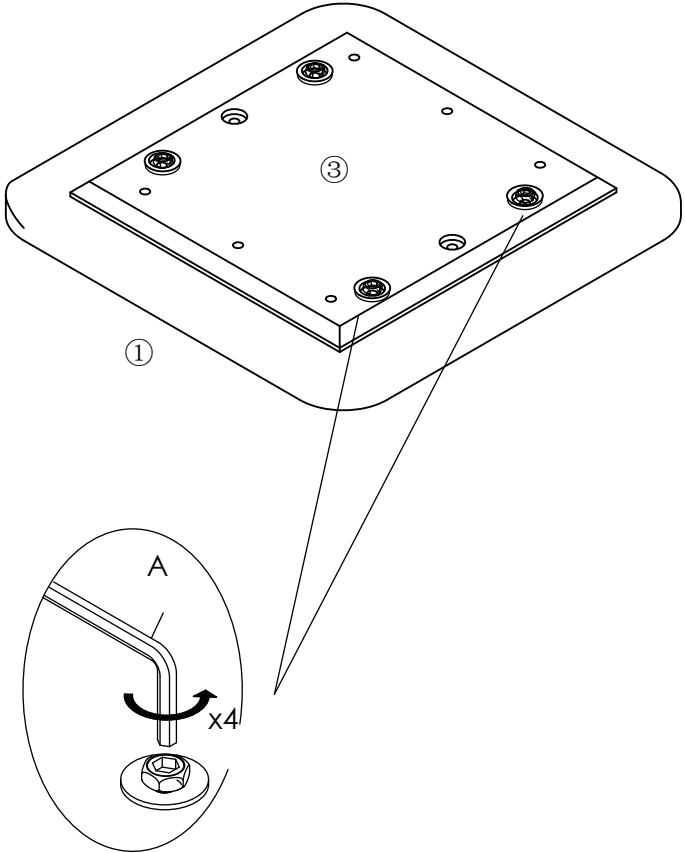
# Assembly Instructions

## CADEN-20 SIDE TABLE

PLEASE NOTE: Check that you have received all components and hardware before assembling. If you are missing any parts, contact your retailer.



1.



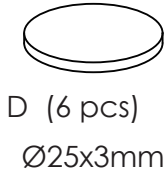
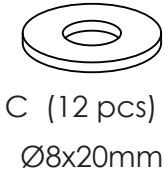
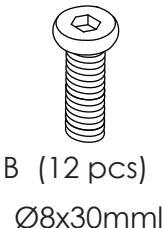
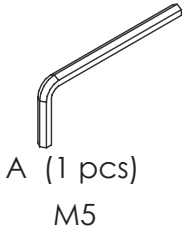
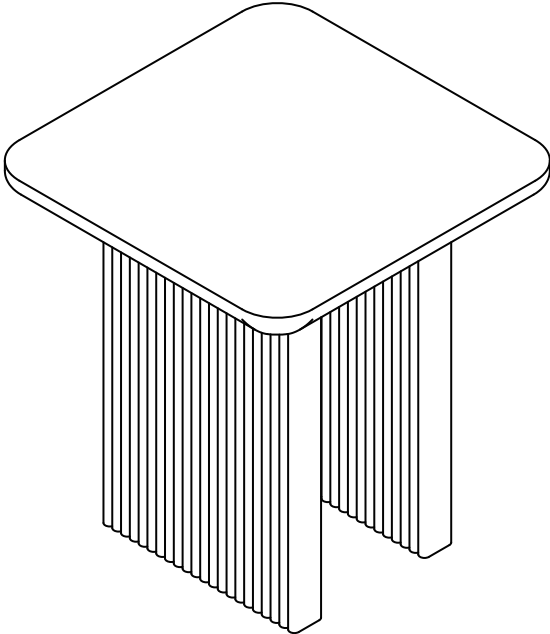
Remove the Connection plate before assembly

During assembly, hand tighten screws only. When the screws are in place, tighten completely.

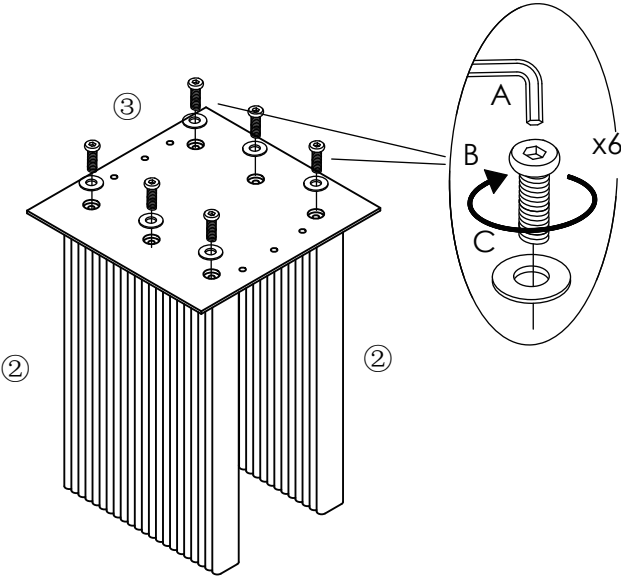
# Assembly Instructions

## CADEN-20 SIDE TABLE

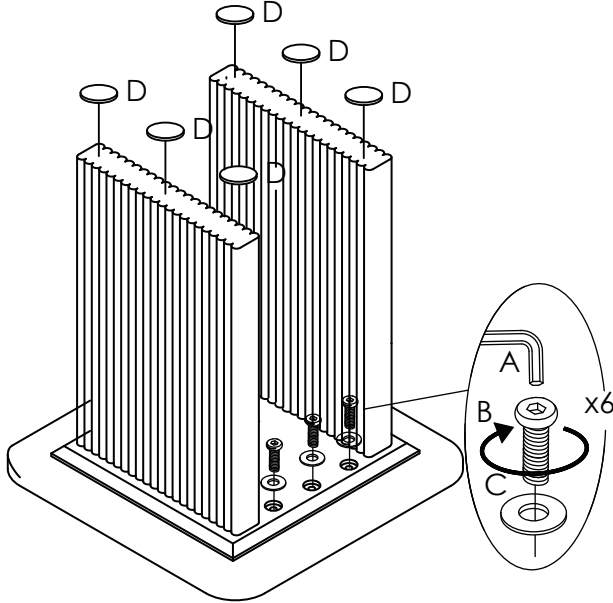
PLEASE NOTE: Check that you have received all components and hardware before assembling. If you are missing any parts, contact your retailer.



2.



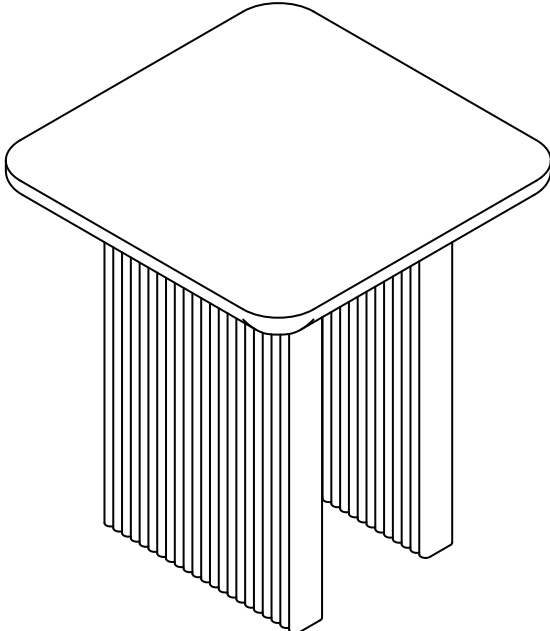
3.



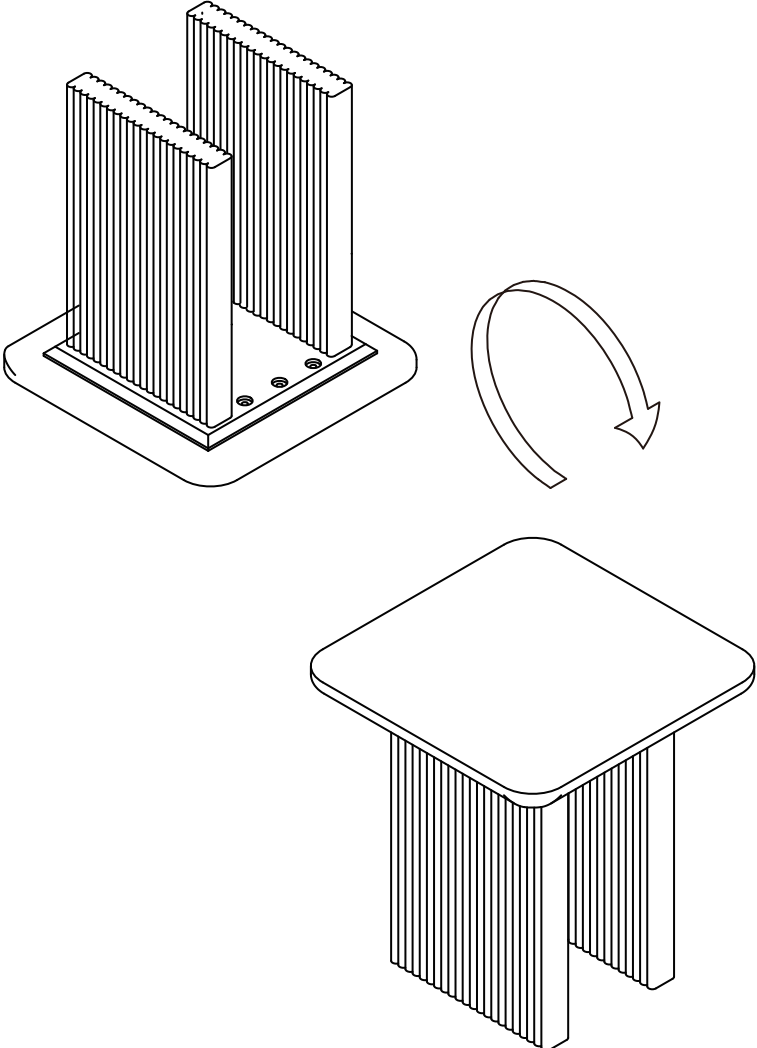
During assembly, hand tighten screws only. When the screws are in place, tighten completely.

# Assembly Instructions CADEN-20 SIDE TABLE

PLEASE NOTE: Check that you have received all components and hardware before assembling. If you are missing any parts, contact your retailer.



4.



A (1 pcs)  
M5

B (12 pcs)  
Ø8x30mm

C (12 pcs)  
Ø8x20mm

D (6 pcs)  
Ø25x3mm

During assembly, hand tighten screws only. When the screws are in place, tighten completely.