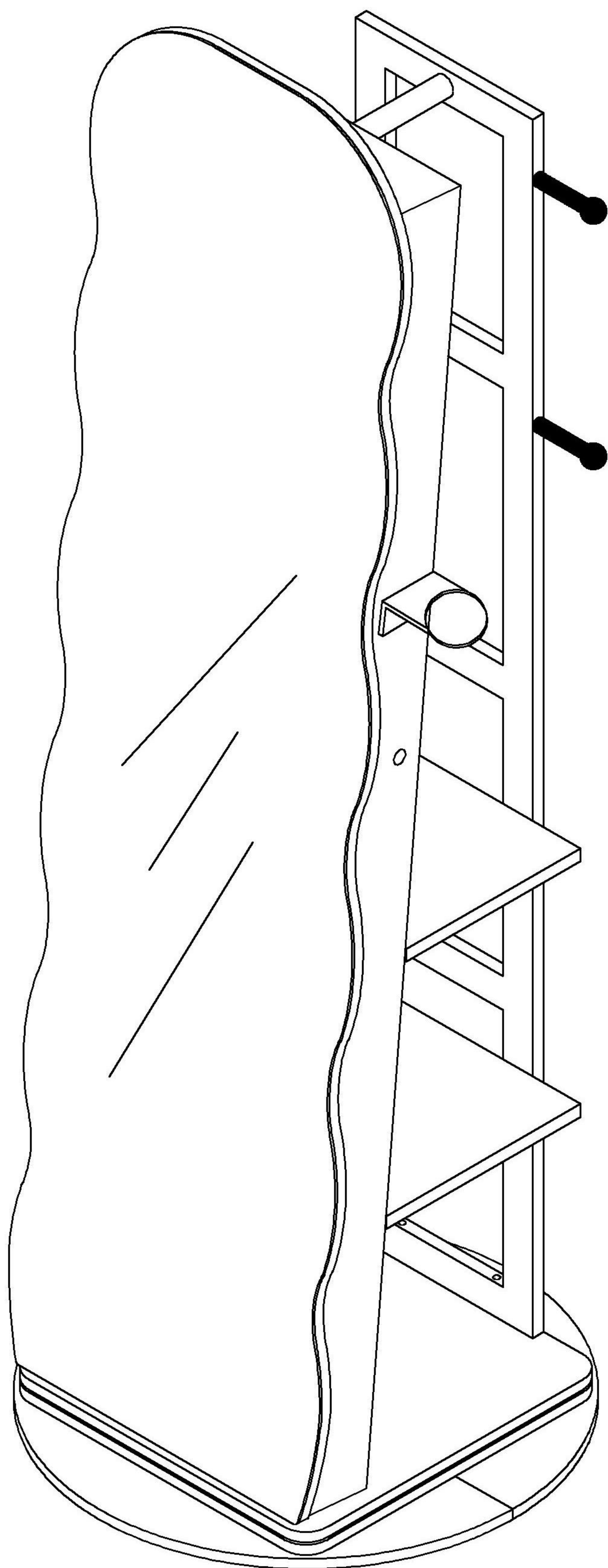
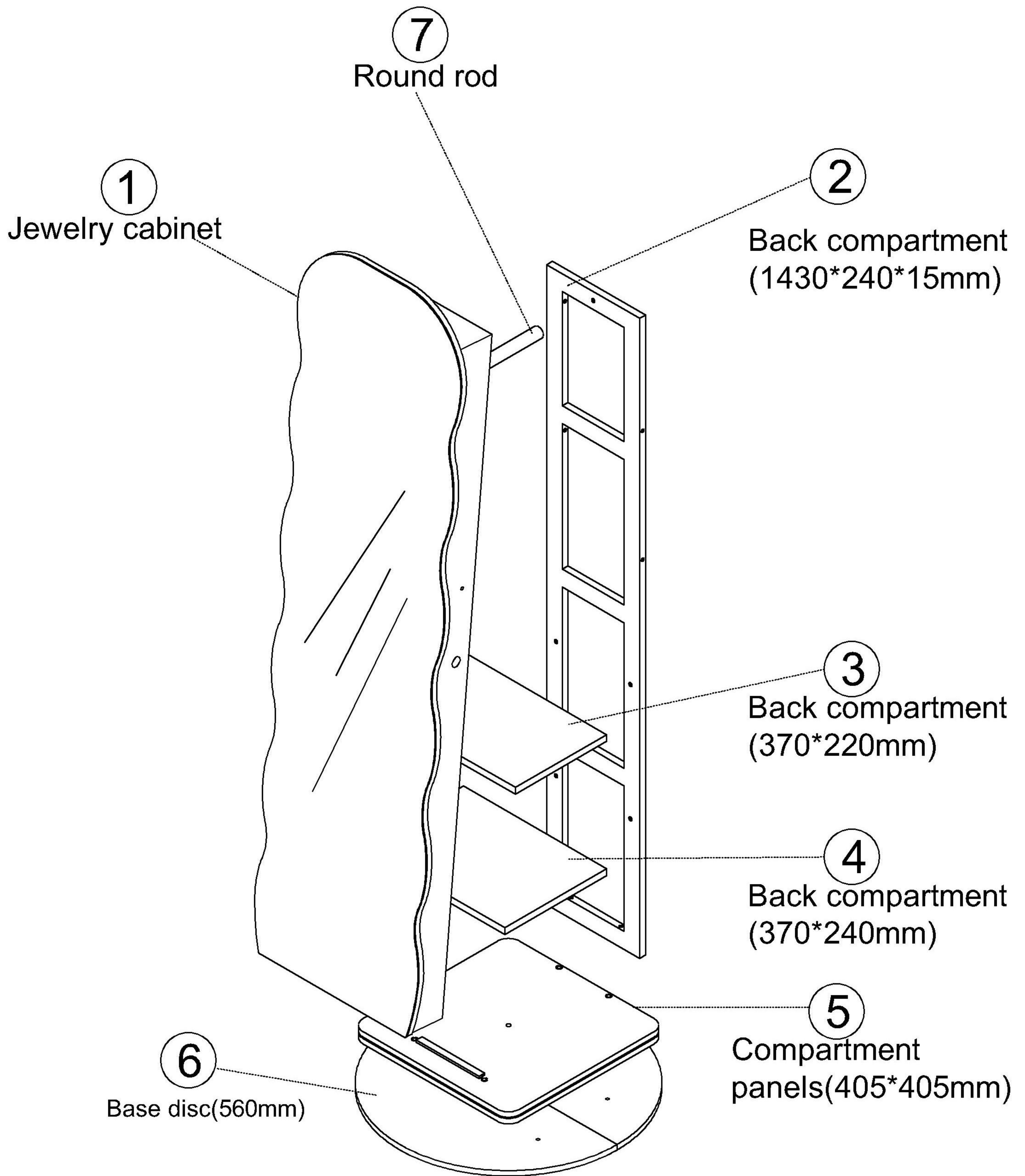





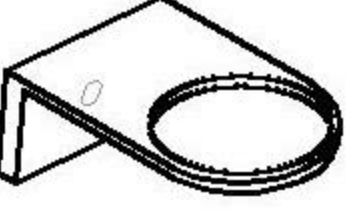
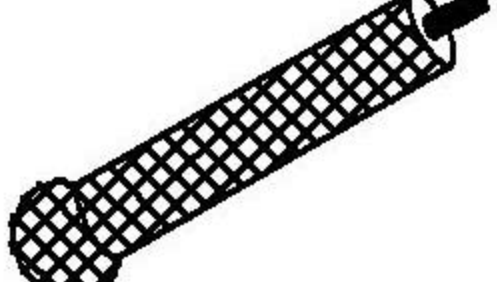


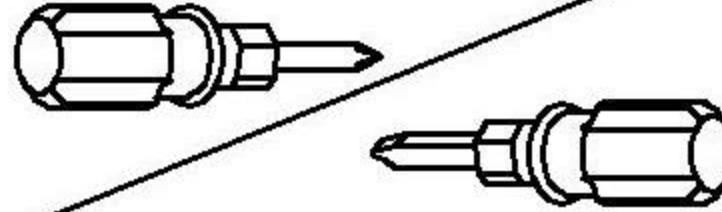




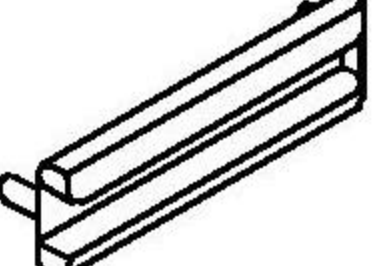
YY-67037 MIRROR JEWELLERY CABINET



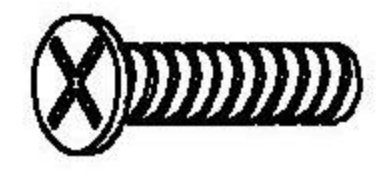
Hardware list

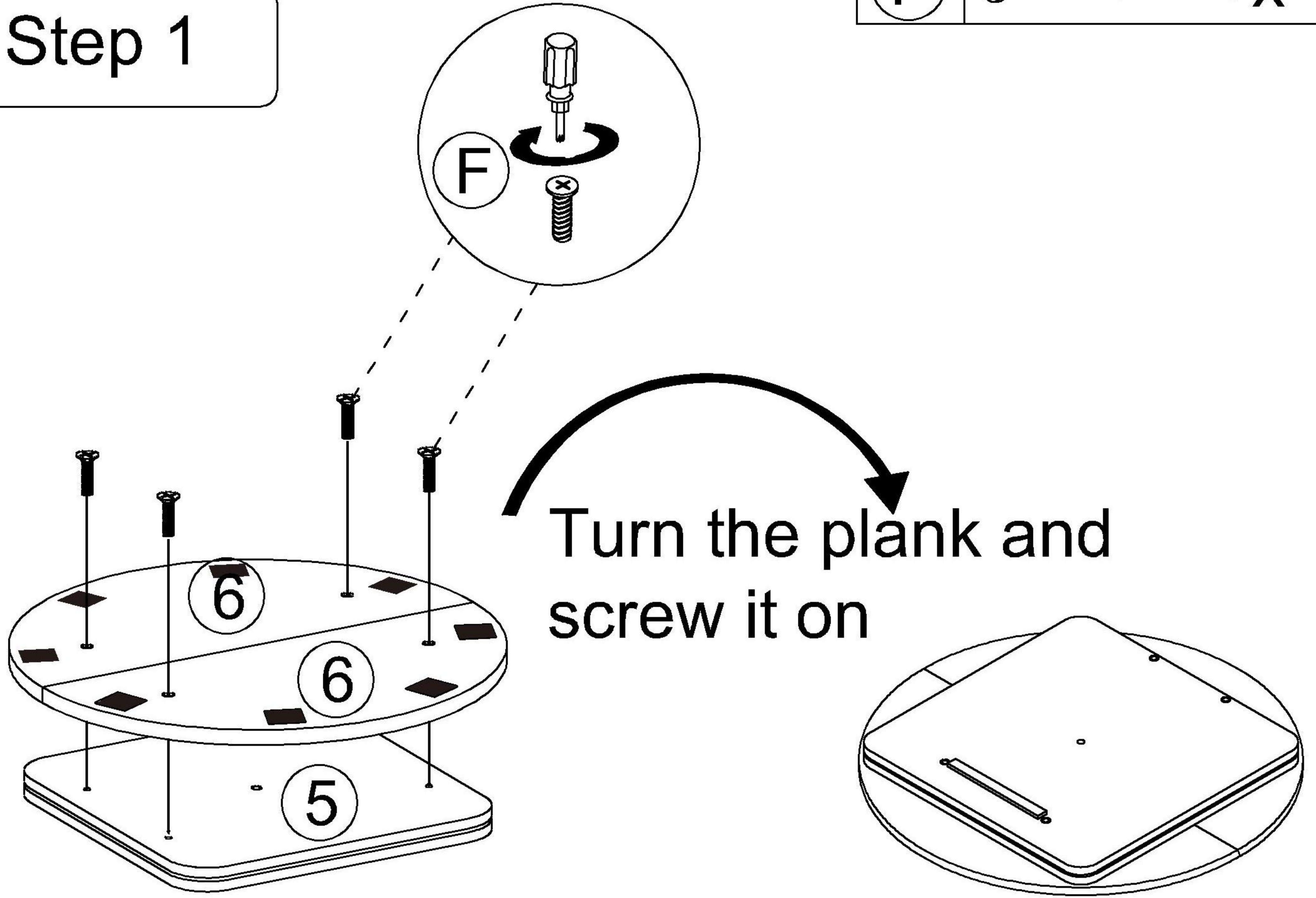


Accessories list


A		Cross nut (6x16mm)	1 Pcs
B		Key	1 Pcs
C		Cross machine wire (6x30mm)	7 Pcs
D		Hair dryer holder	1 Pcs
E		Acrylic round stick	4 Pcs
F		Cross nut (6x22mm)	8 Pcs
G		Cross machine wire (6x50mm)	2 Pcs
H		Screwdriver	1 Pcs
I		Anti-rewind (290mm)	1 Pcs
J		Self tapping wire(3x10mm)	1 Pcs
K		Colloidal granules/Self tapping wire(4x45mm)	1 Pcs
L		Acrylic spacer	3 Pcs
M		Acrylic left and right accessories	10 Pcs

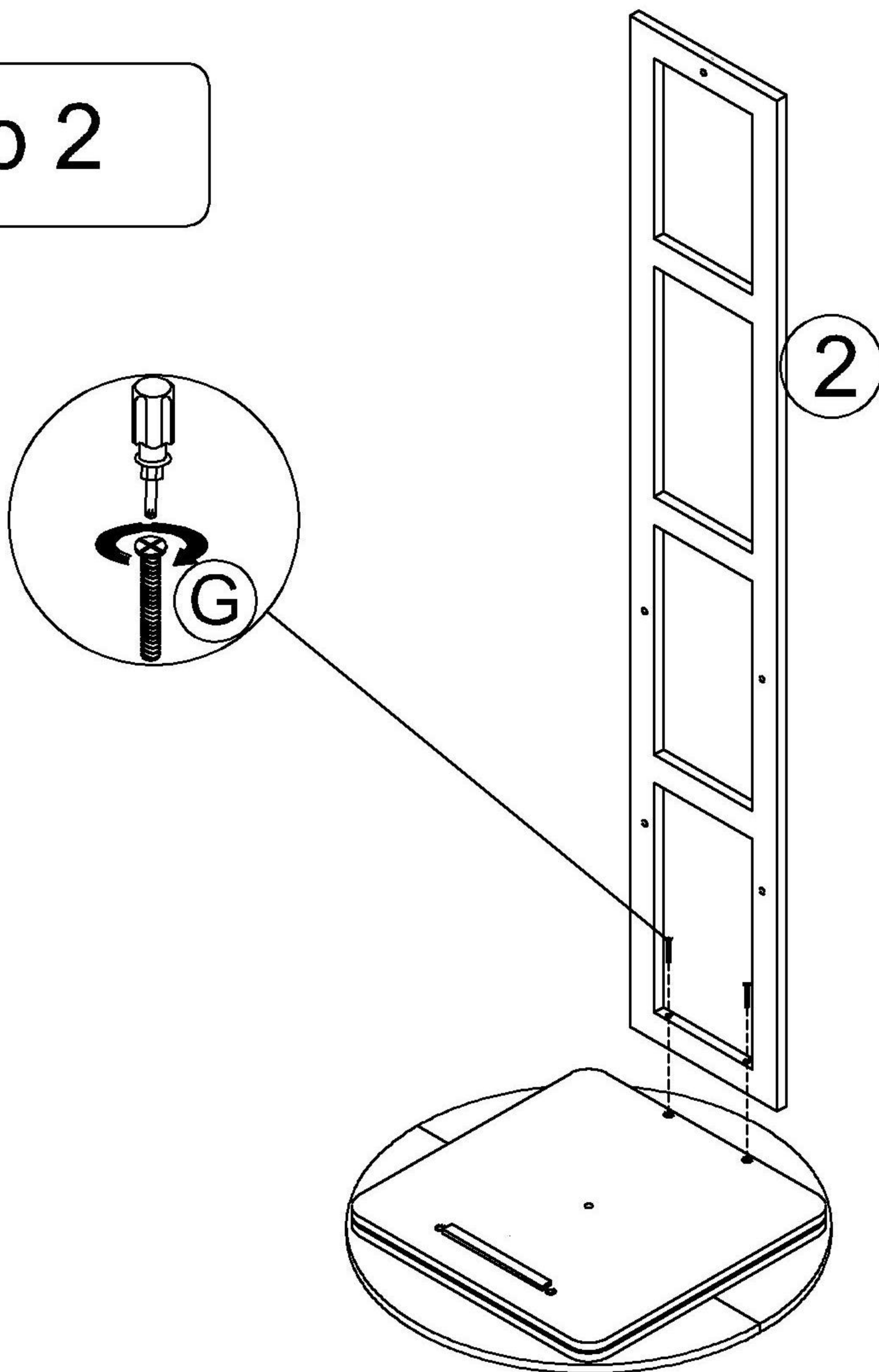
Step 1

(F)  (6*22mm) X 4

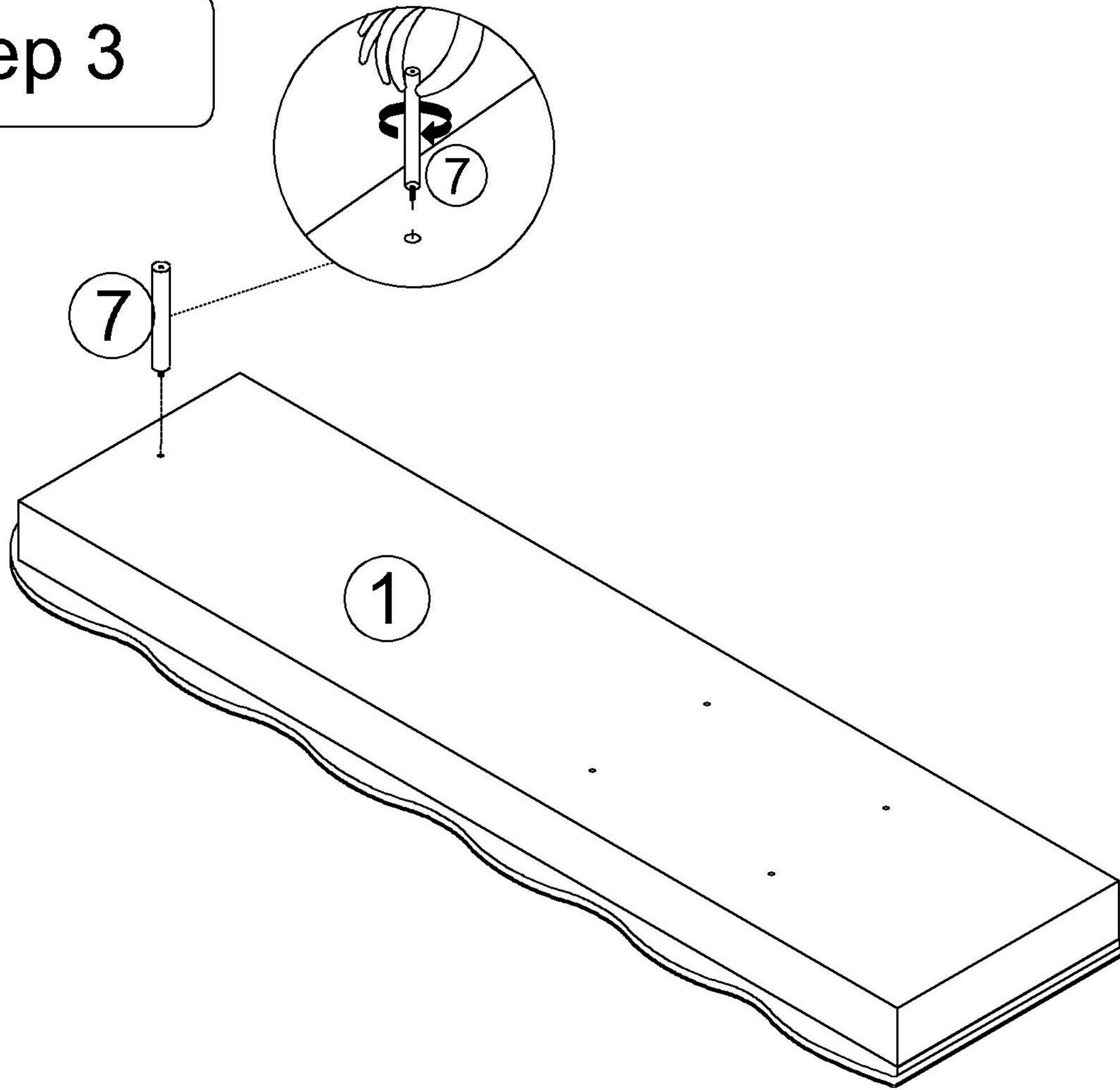


Step 2

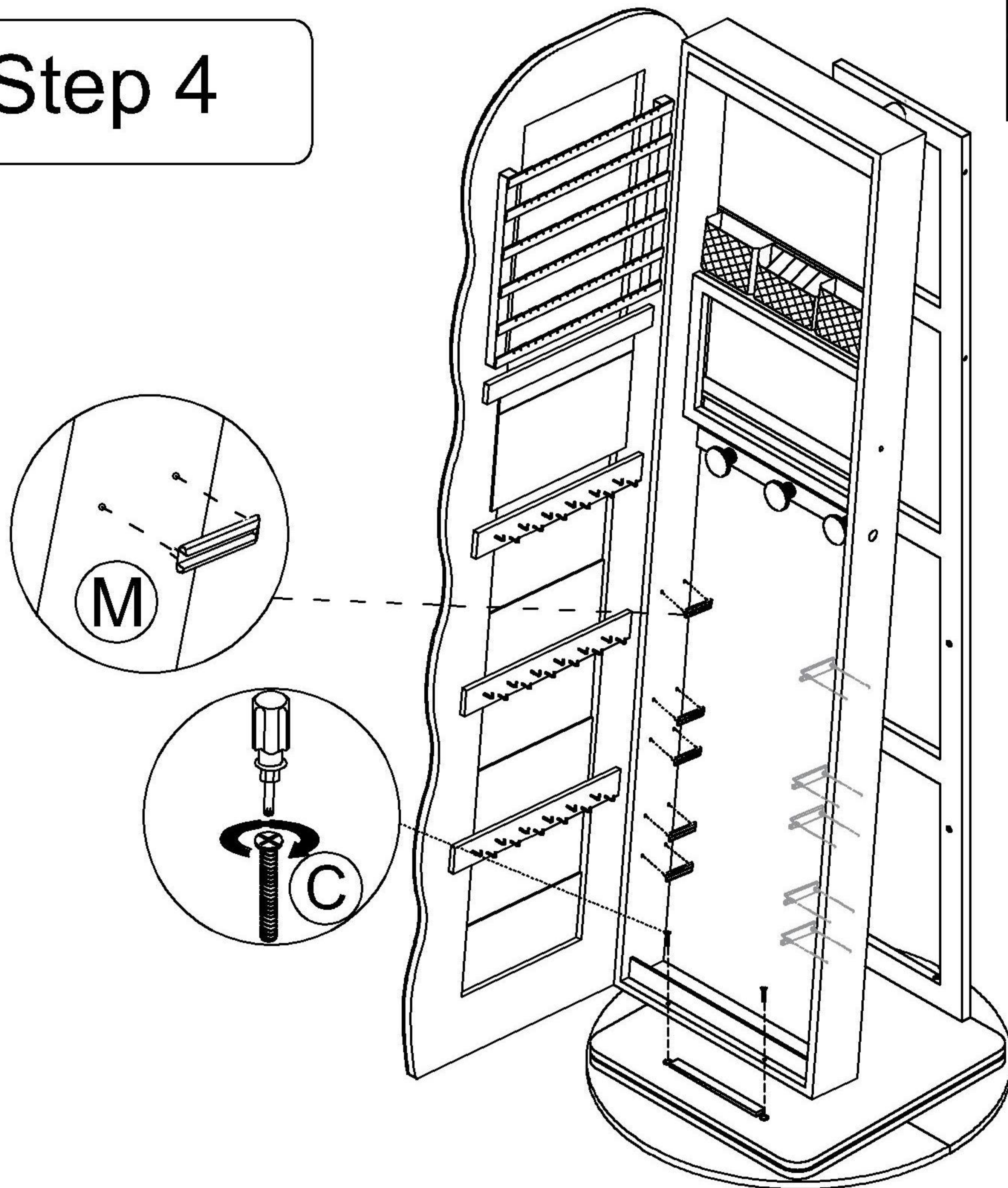
(G)  (6*50mm) X 2


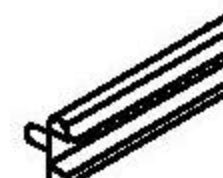


Step 3


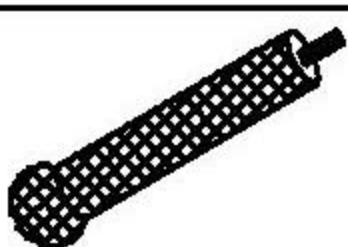


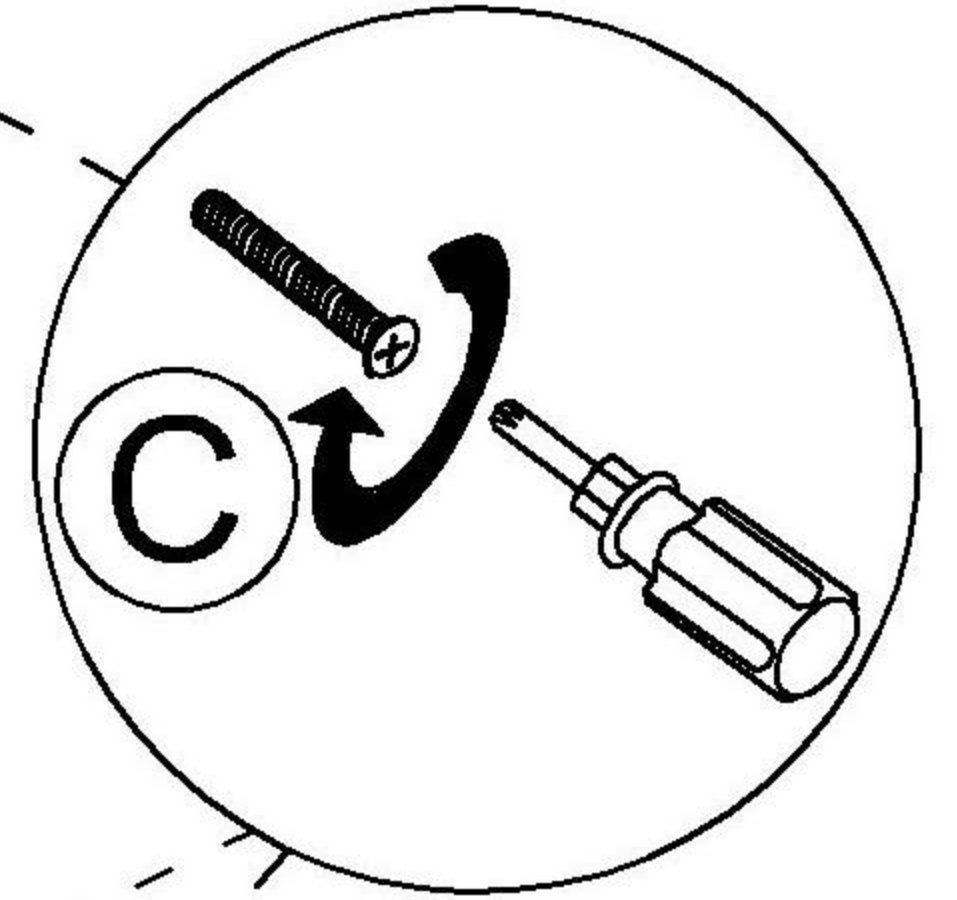
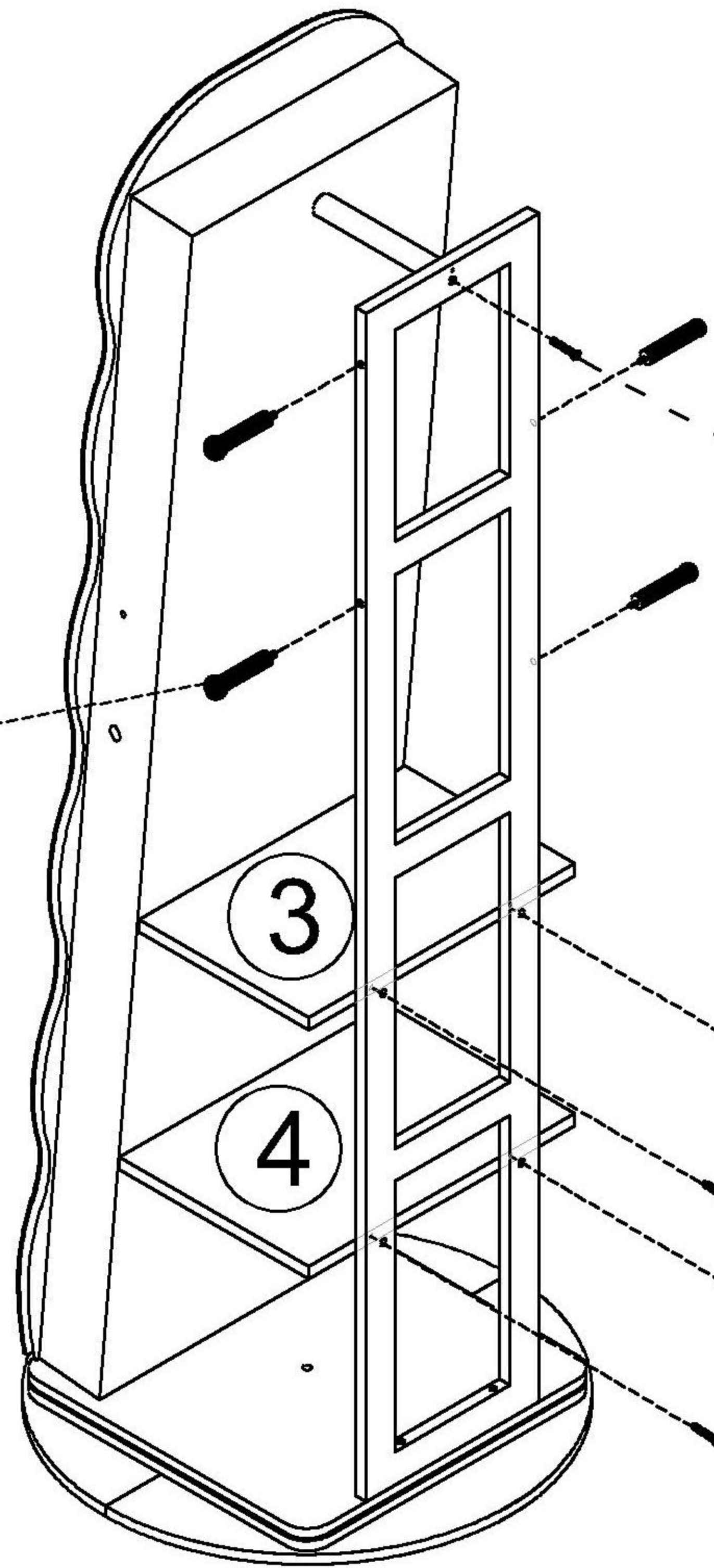
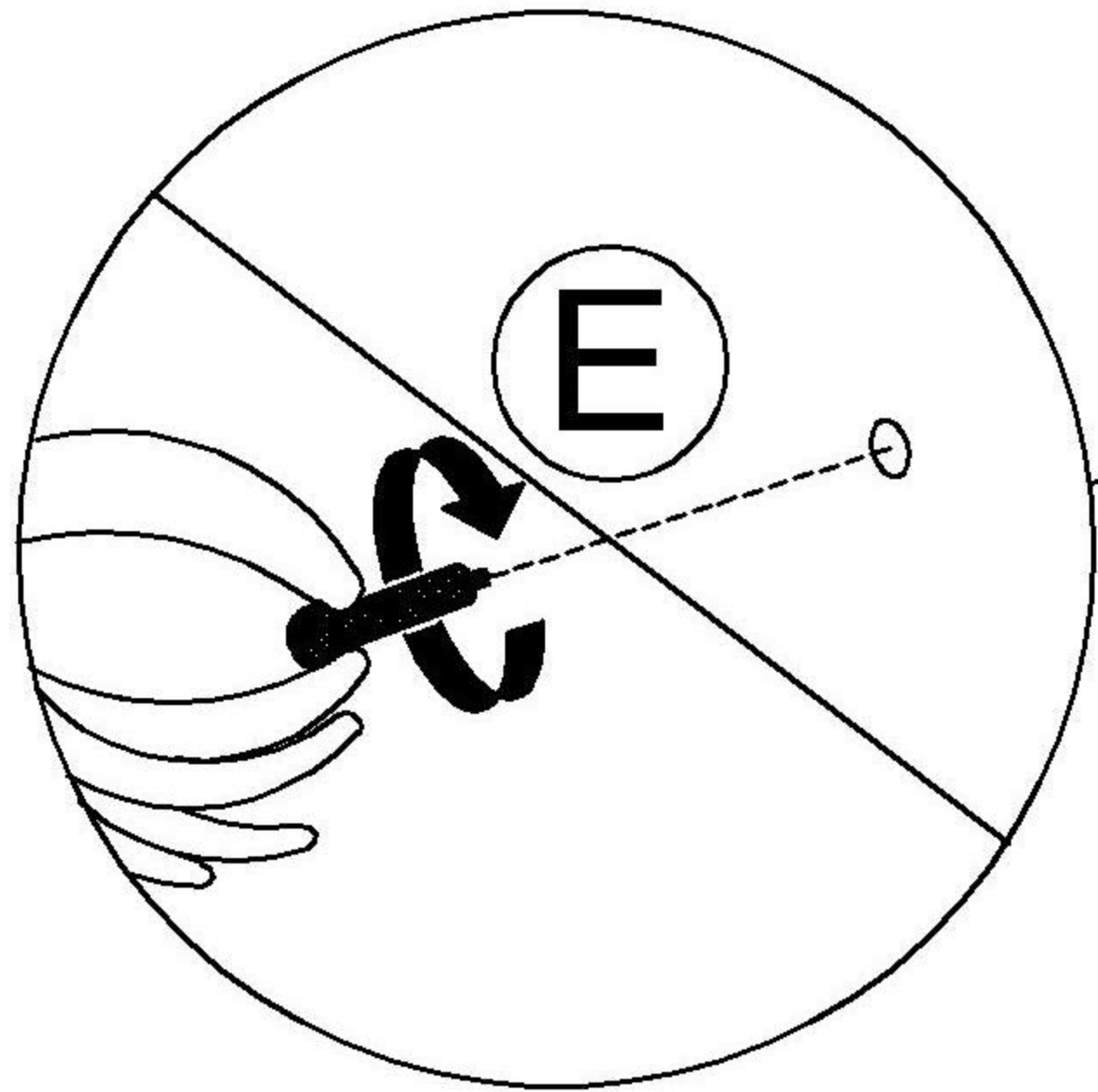
Step 4




(C)	 (6*30mm)	x 2
(M)		x 10

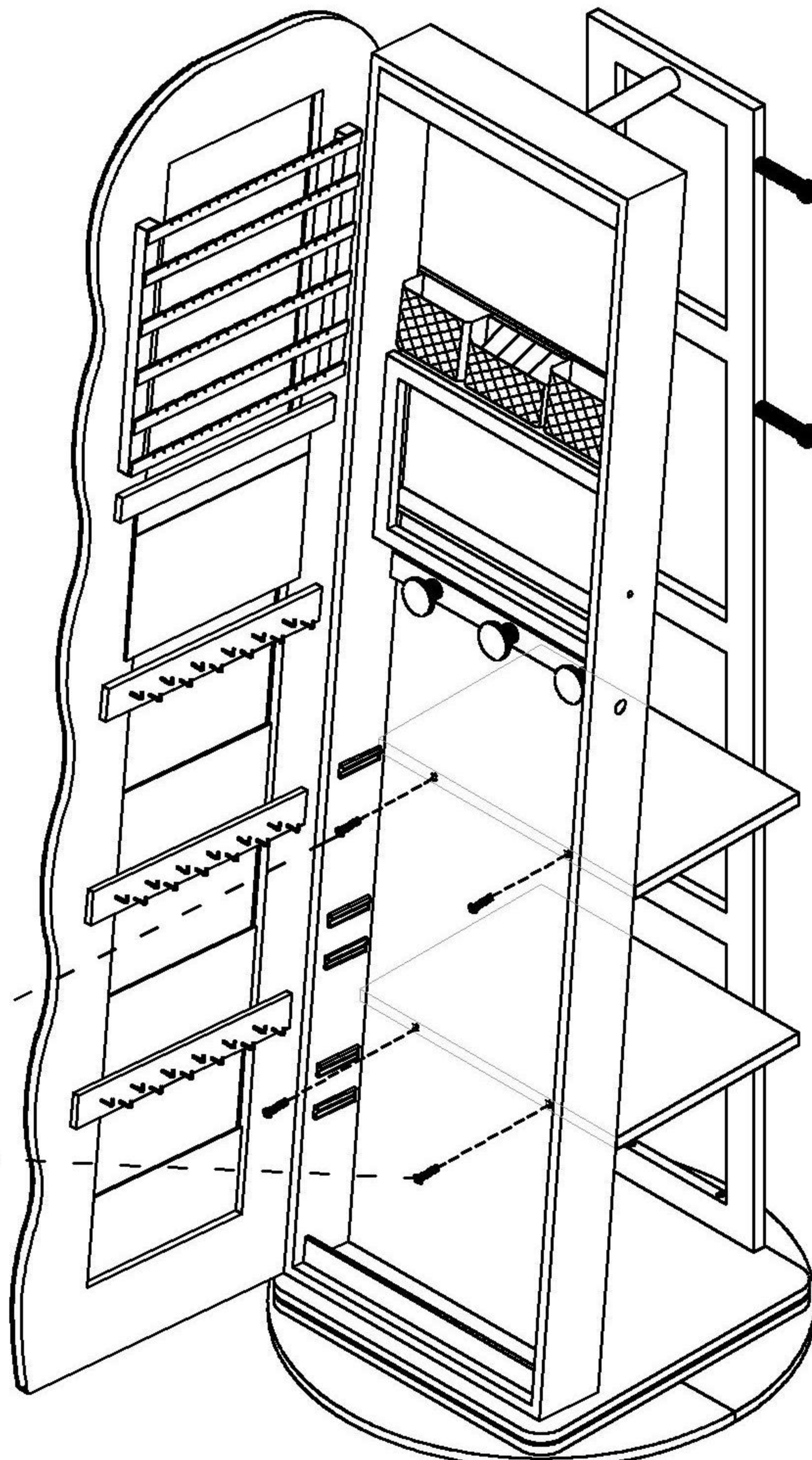
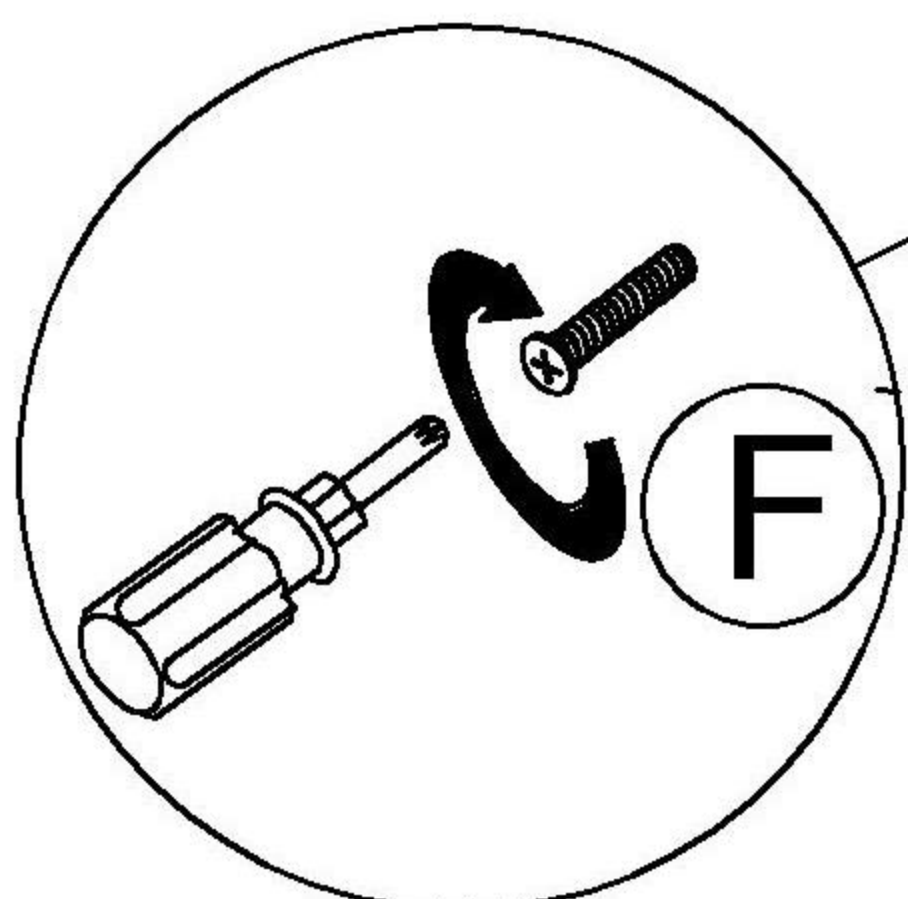
Step 5

C	 (6*30mm) x 5
E	 x 4

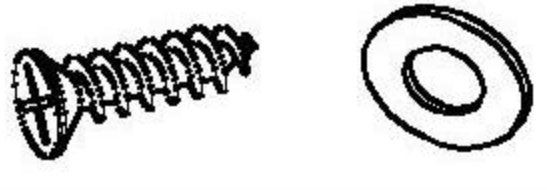



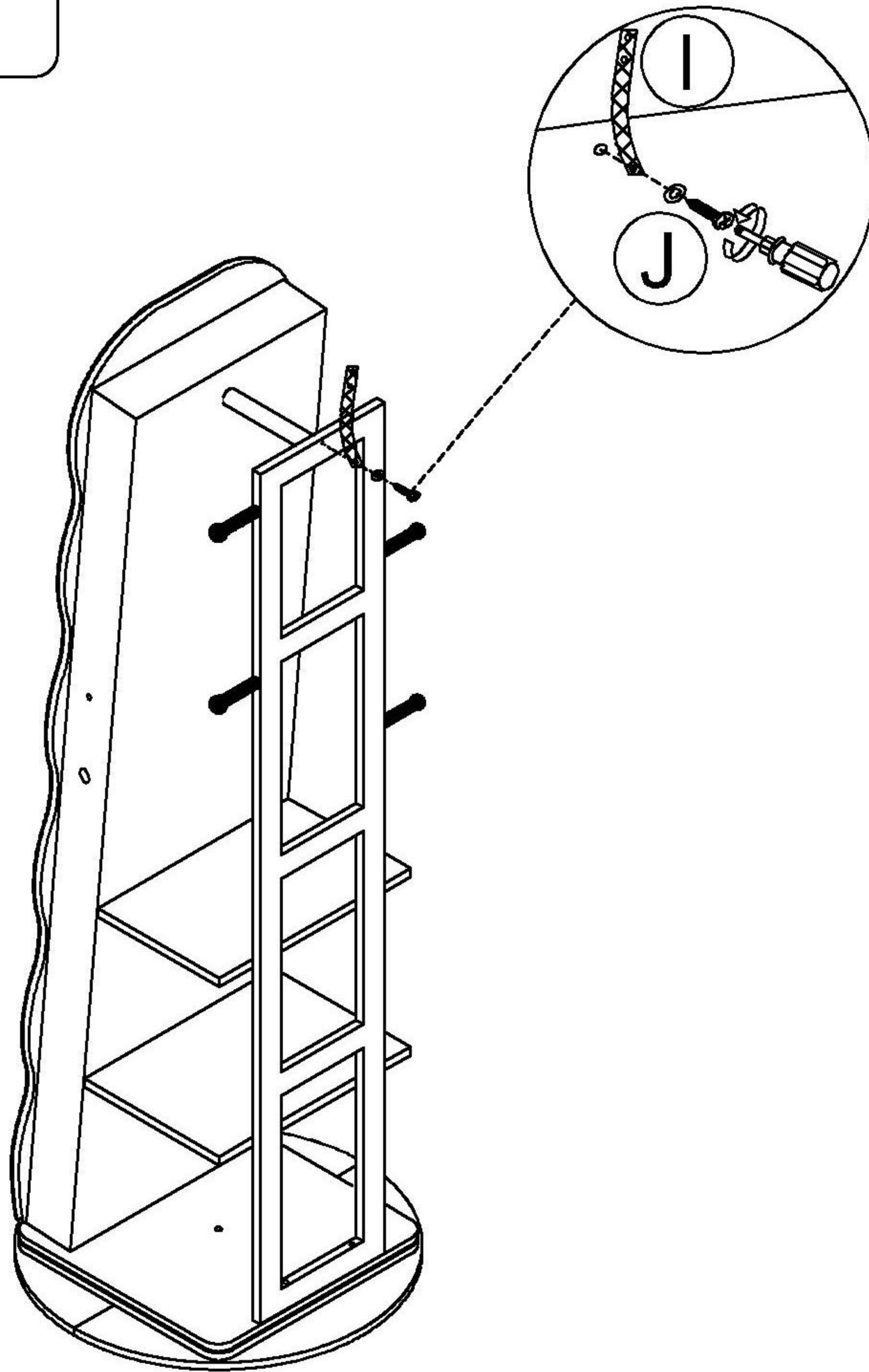
Step 6

F	 (6*22mm) x 4
----------	---

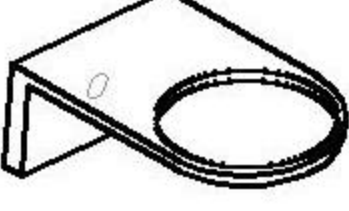



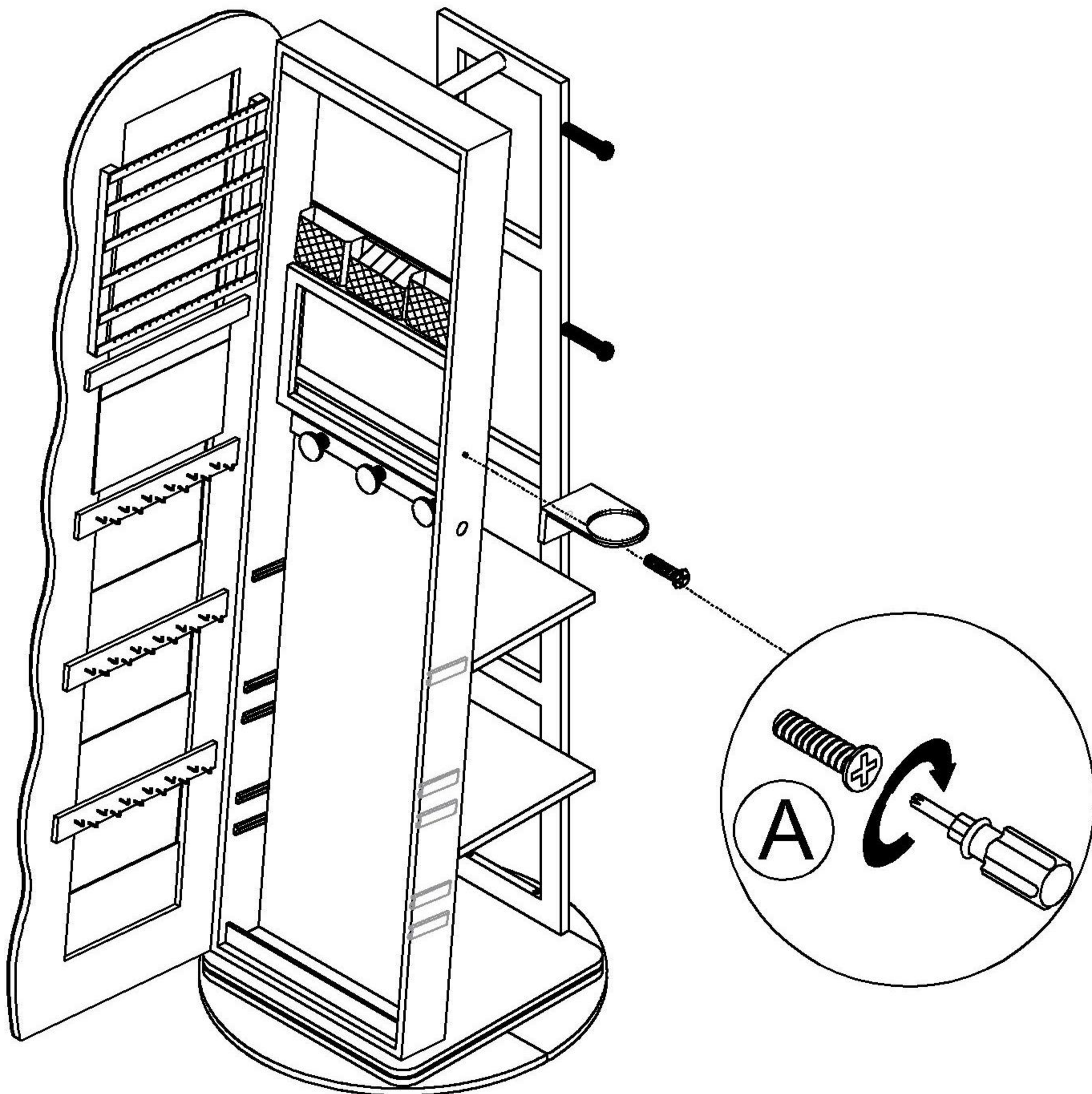
Step 7

J		x 1
I		x 1



Step 8

D		x 1
A	 (6*16mm)	x 1



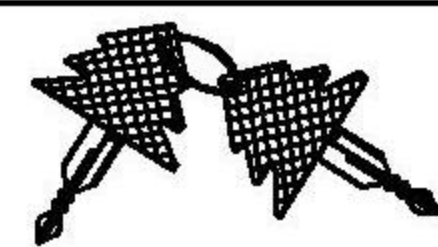
Step 9

L



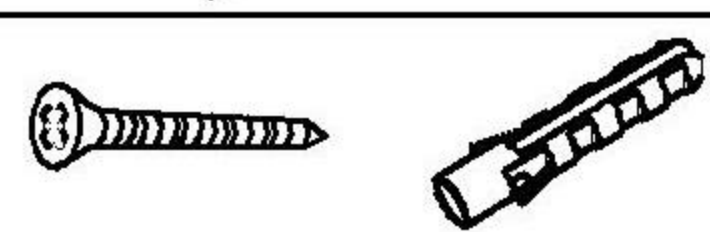
x 3

B

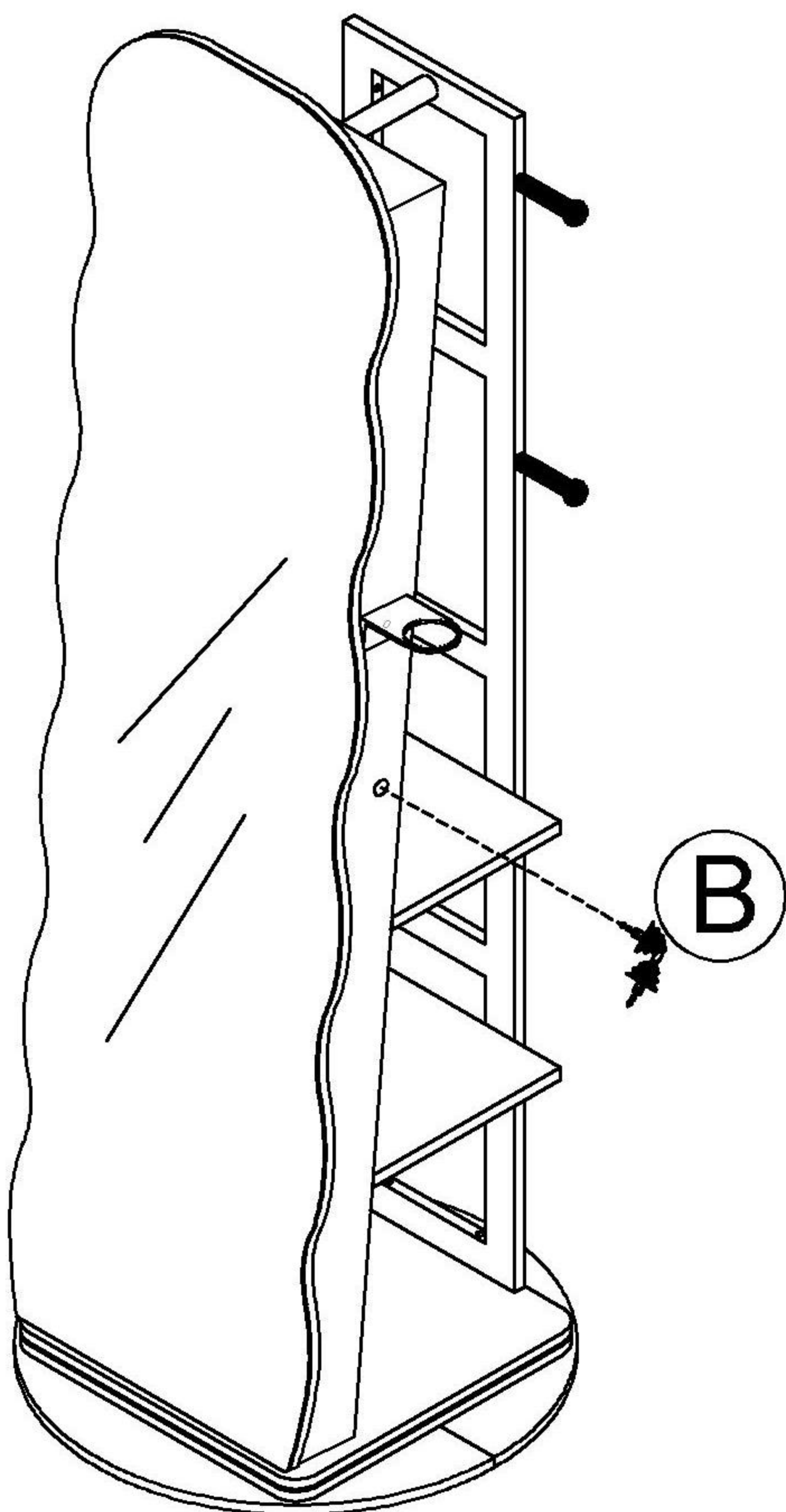


x 1

K



x 1



Battery installation (Tip: use 3 AAA Batteries)

