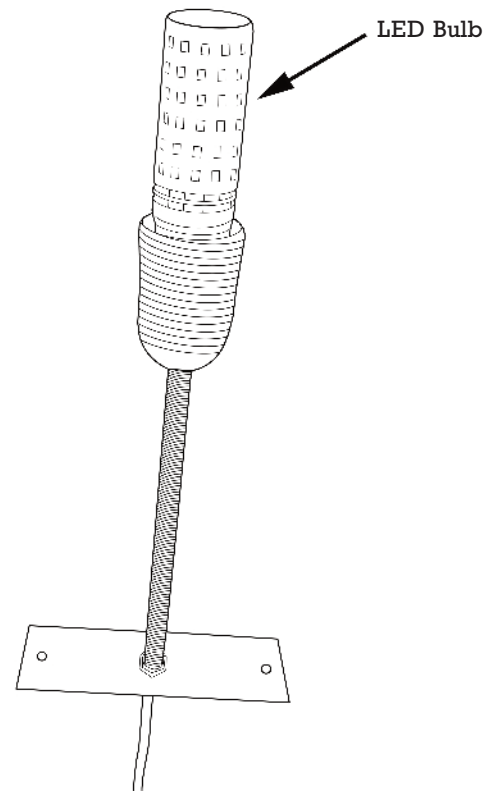
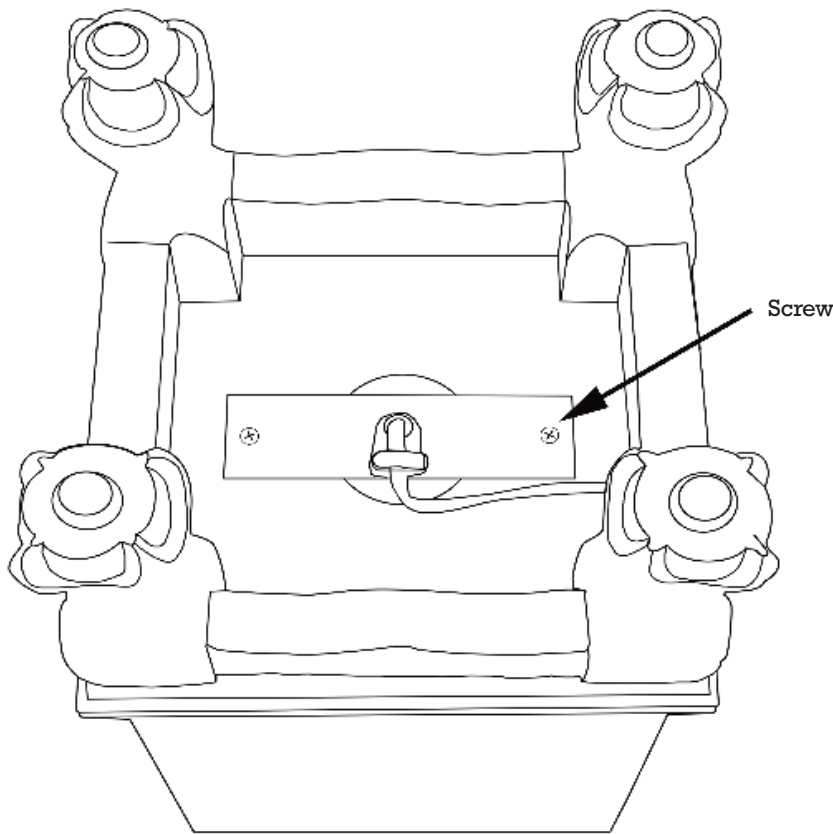


INSTRUCTIONS FOR YOUR PRODUCT

Thank you for your recent purchase!
We have taken great care to create this
piece especially for you. Please review
these instructions and assemble this
piece with care.



Step 1

Turn pedestal upside down.

Step 2

Remove the screws
from the bottom plate.

Step 3

Change the E27 LED bulb.
LED bulb can not exceed 30 watts.

Step 4

Place screws back into
the plate and tighten.

THANK YOU
FOR YOUR PURCHASE