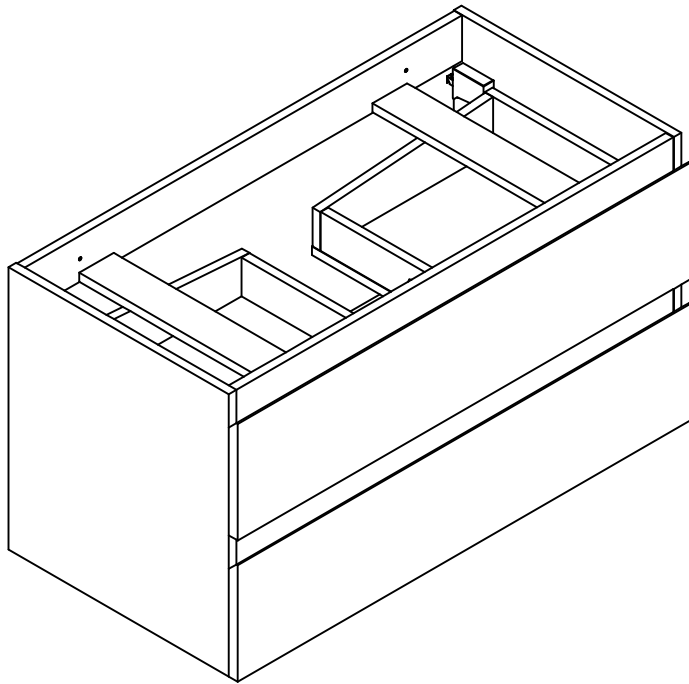


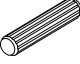
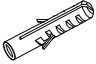
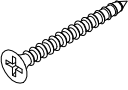
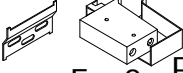
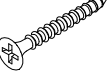
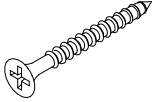

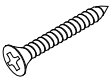
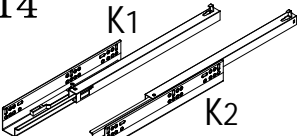


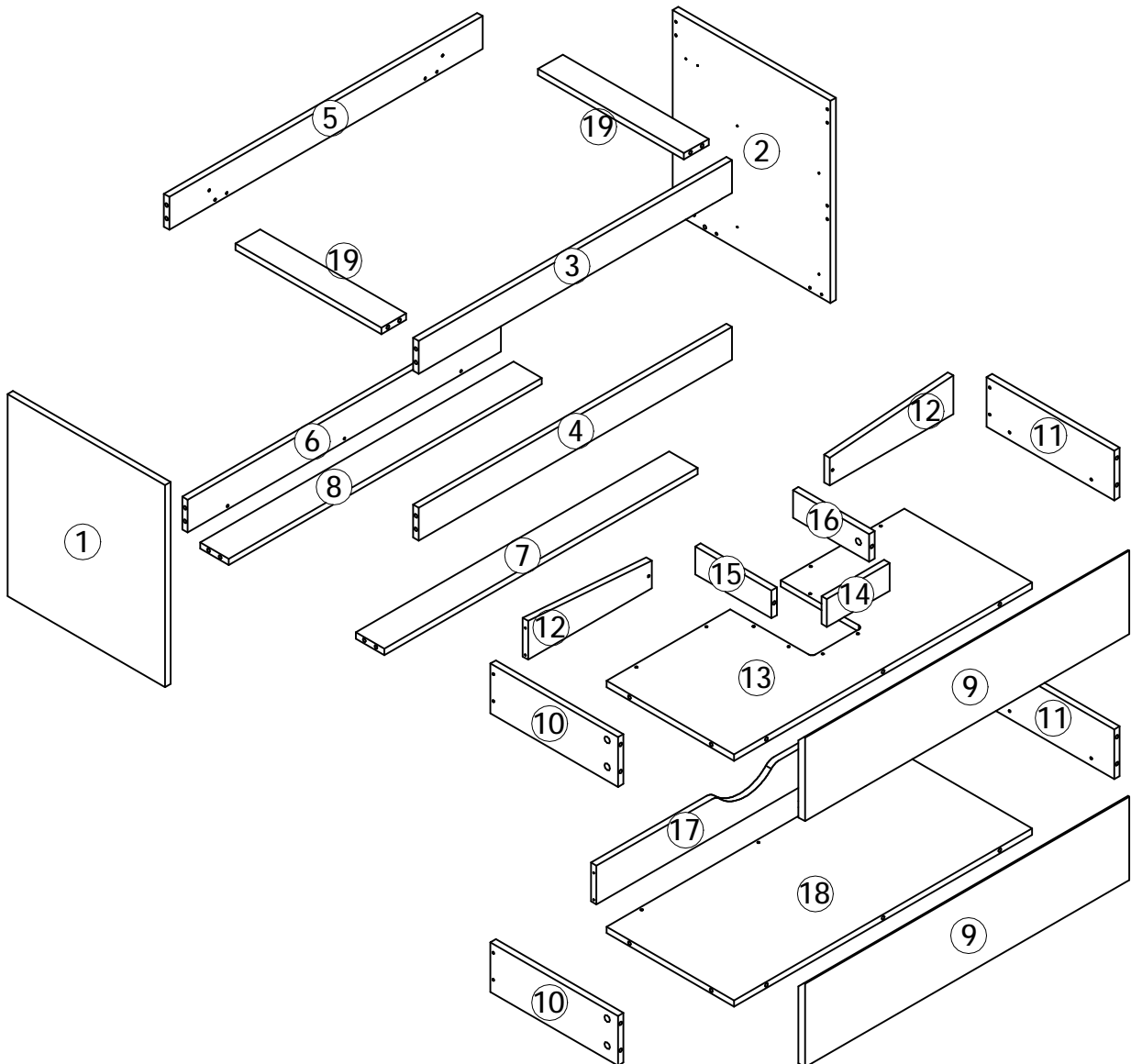
HN191-90H

Assembly Instructions



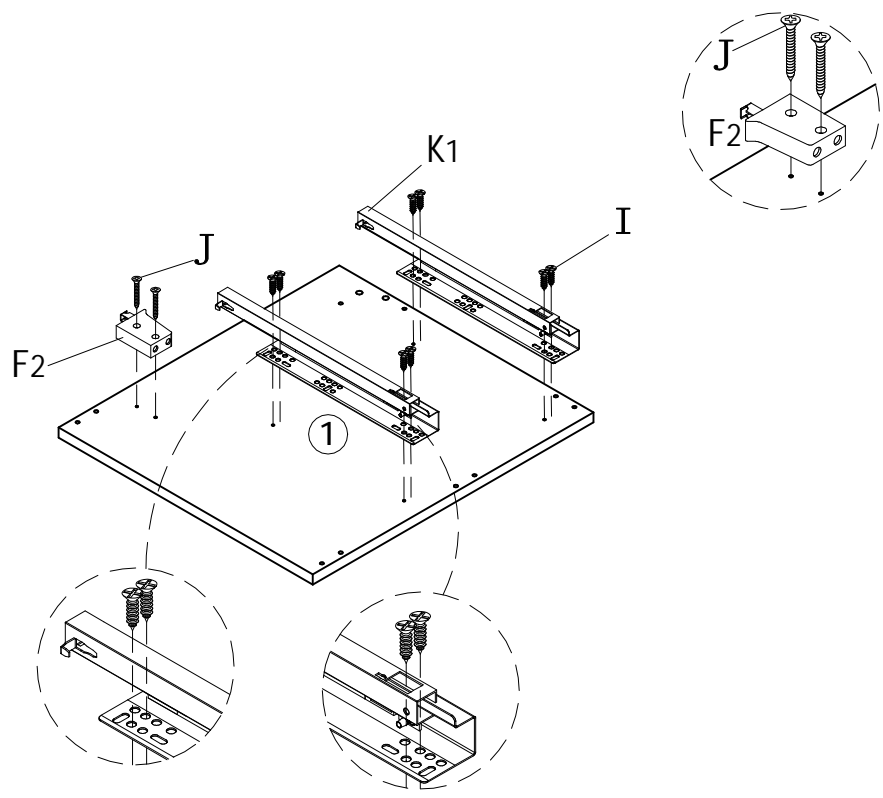
Assembly Instructions

<p>Ø15x12</p>  <p>A x 55</p>	<p>Ø7x35</p>  <p>B x 55</p>	<p>Ø8x30</p>  <p>C x 4</p>	<p>Ø7.8x38</p>  <p>D x 8</p>
<p>Ø4x40</p>  <p>E x 23</p>	<p>F1x2 F2x2 F3x2</p>  <p>F x 1</p>	<p>Ø5x50</p>  <p>G x 6</p>	<p>Ø5x70</p>  <p>H x 2</p>
<p>Ø3.5x14</p>  <p>I x 20</p>	<p>Ø3.5x30</p>  <p>J x 4</p>	<p>14"</p>  <p>K x 2</p>	



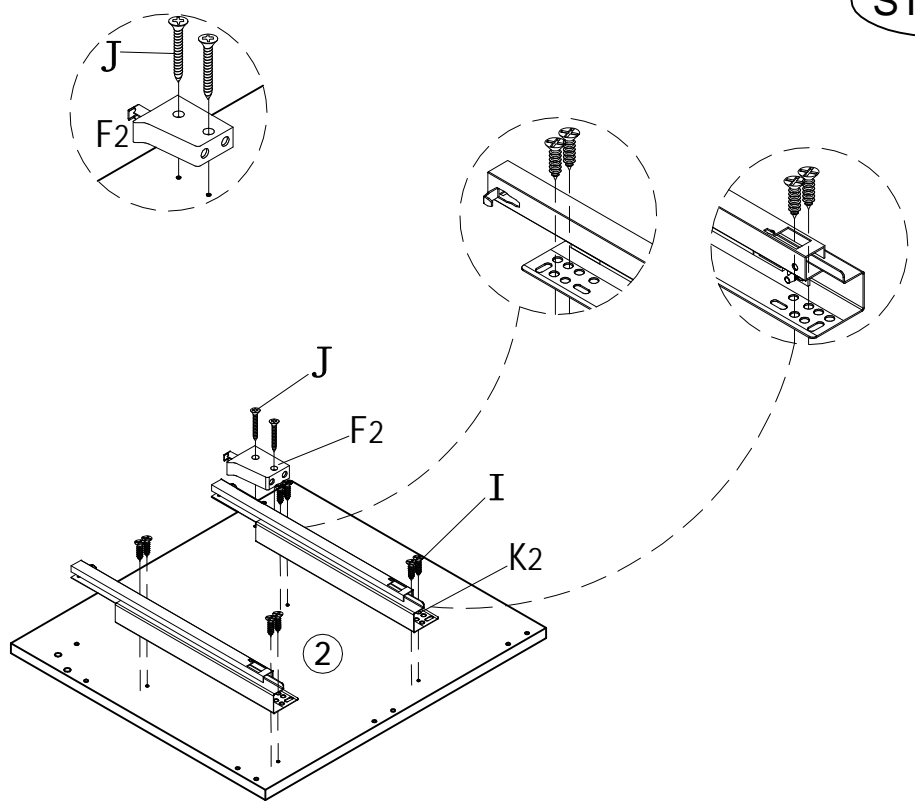
STEP 1

F2x1
I x8
Jx2
K1x2



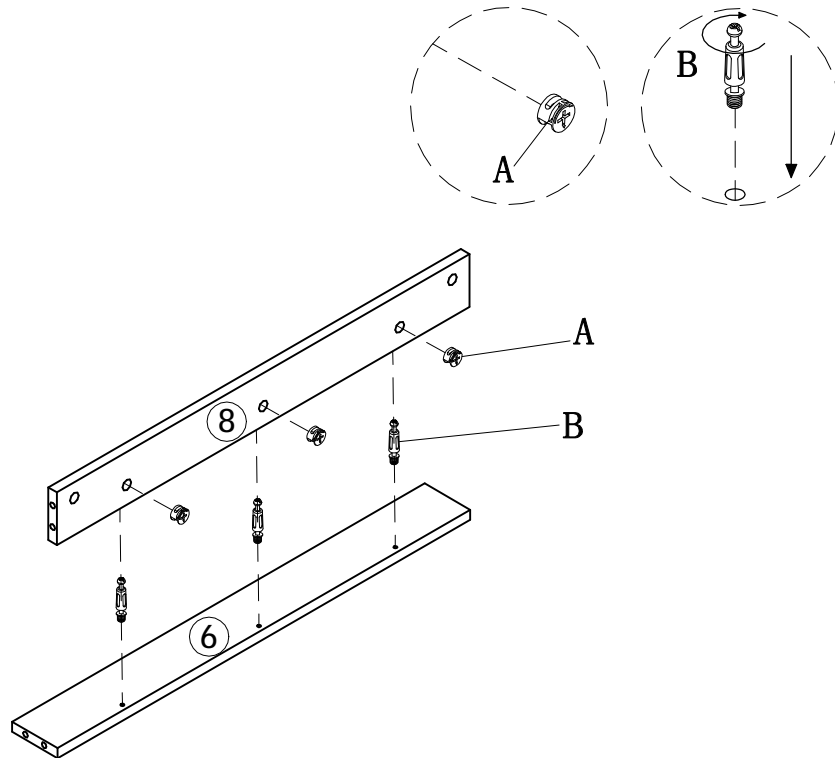
STEP 2

F2x1
I x8
Jx2
K2x2



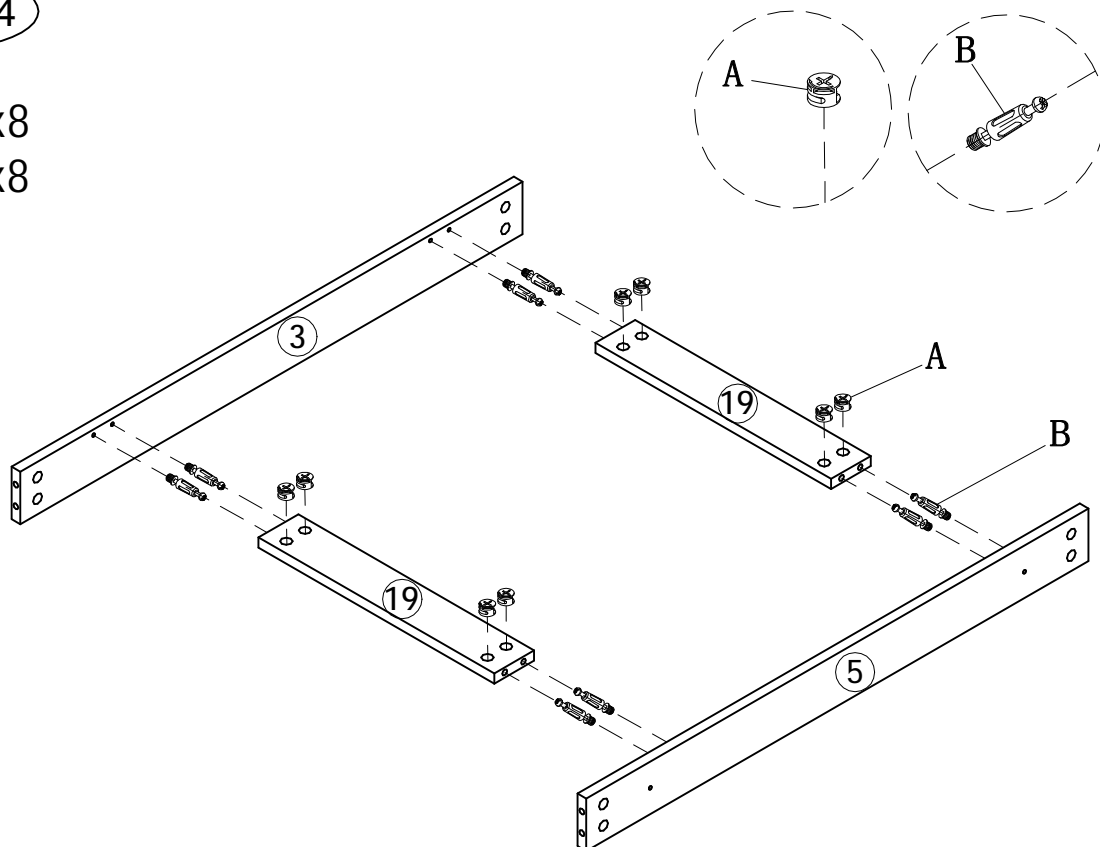
STEP 3

Ax3
Bx3



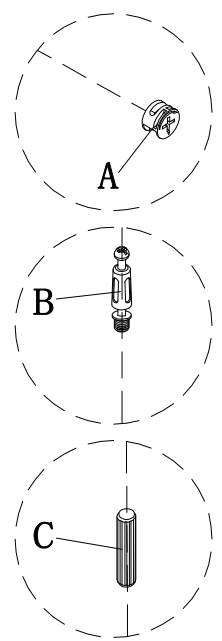
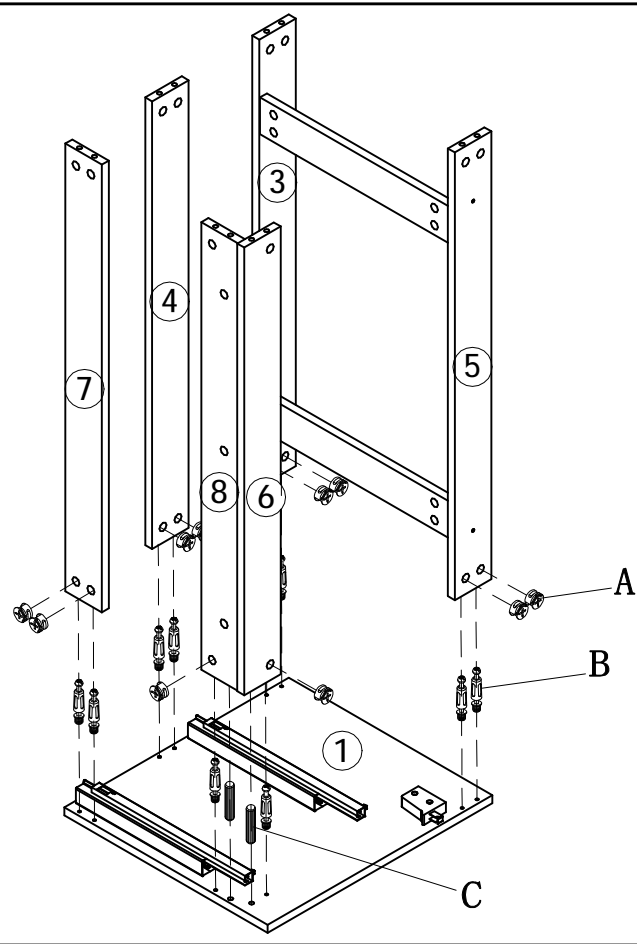
STEP 4

Ax8
Bx8



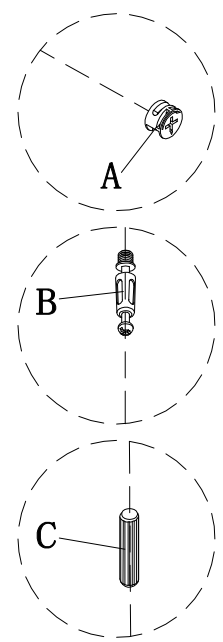
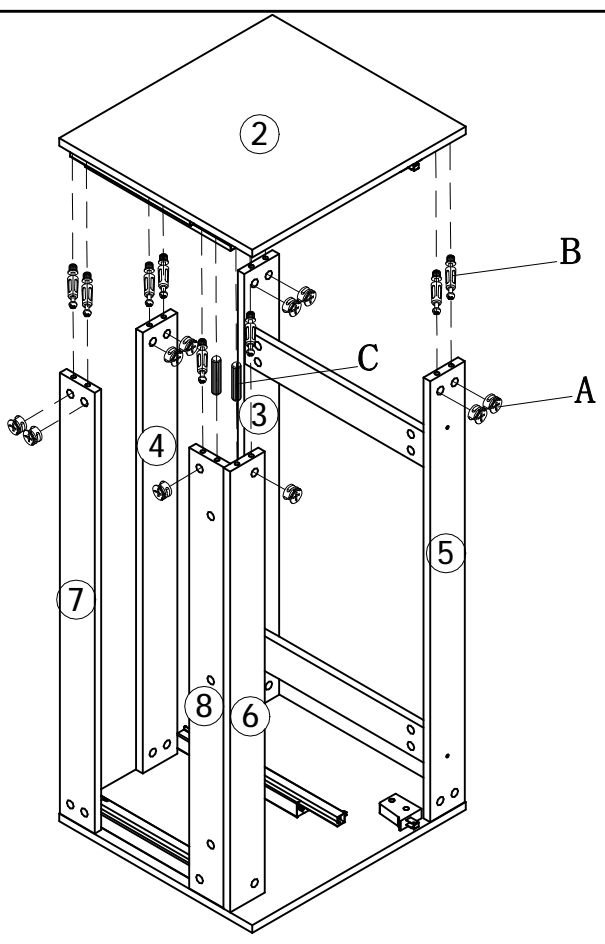
STEP 5

Ax10
Bx10
Cx2



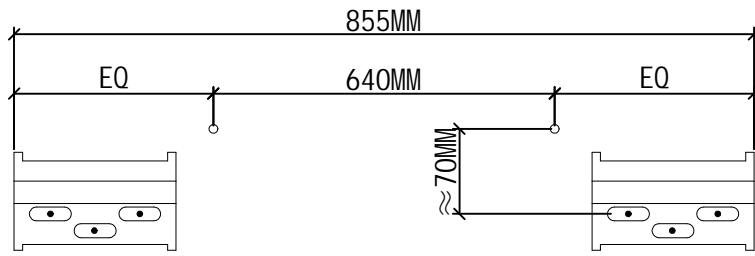
STEP 6

Ax10
Bx10
Cx2

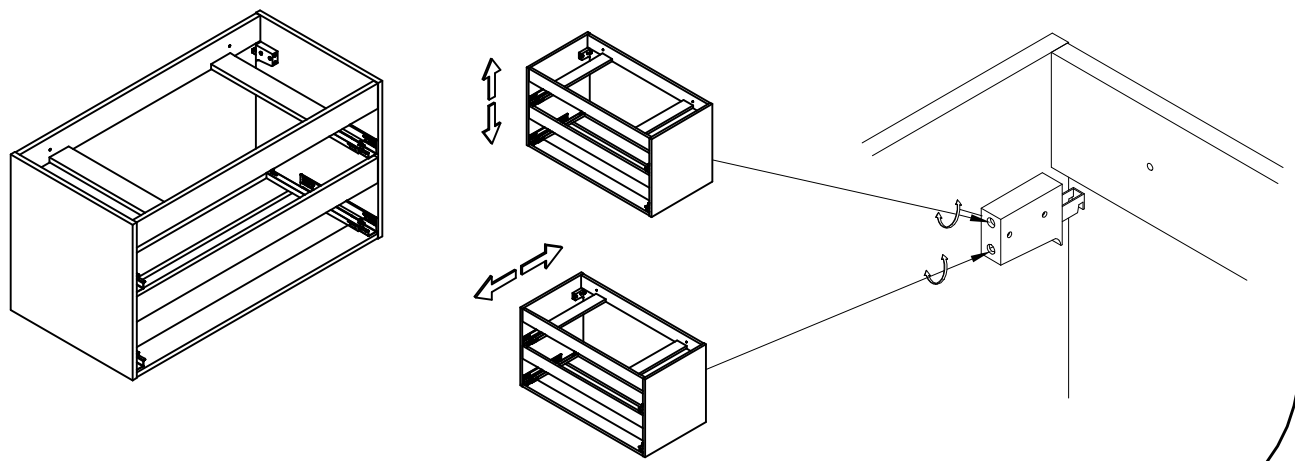


STEP 7

- Dx8
- Gx6
- Hx2
- F1x2
- F3x2

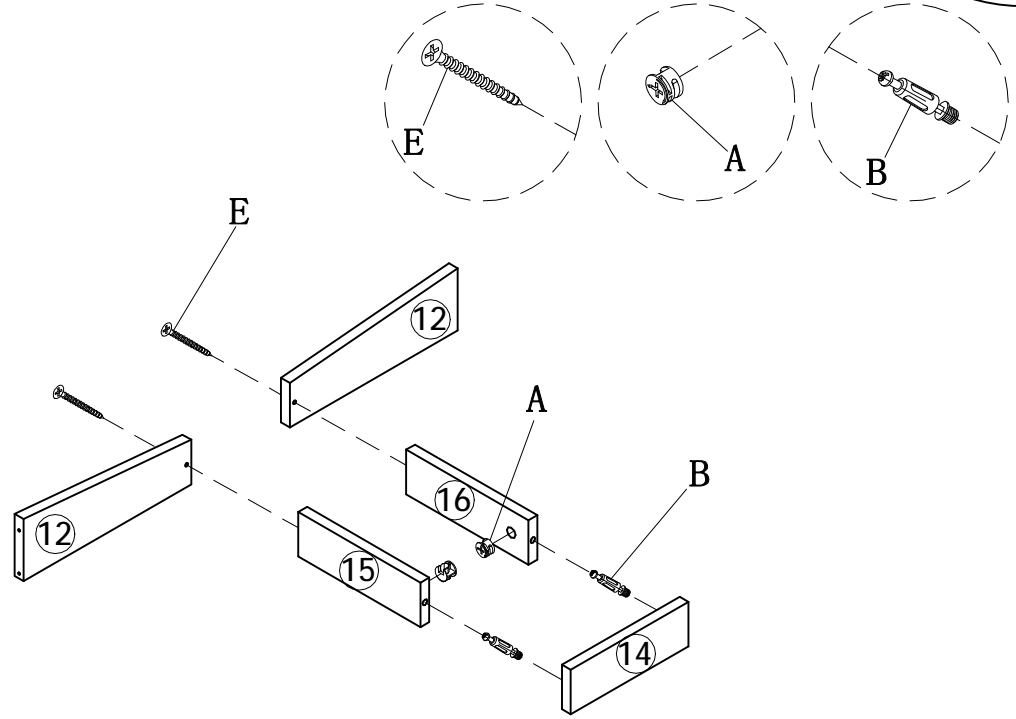


1. A drill bit icon.
2. A screw labeled D and a hammer icon.
3. Screws labeled F1 and G with a bracket icon.
4. A bracket labeled F3 with a right-pointing arrow icon.
5. A screw labeled H and a corner bracket icon.



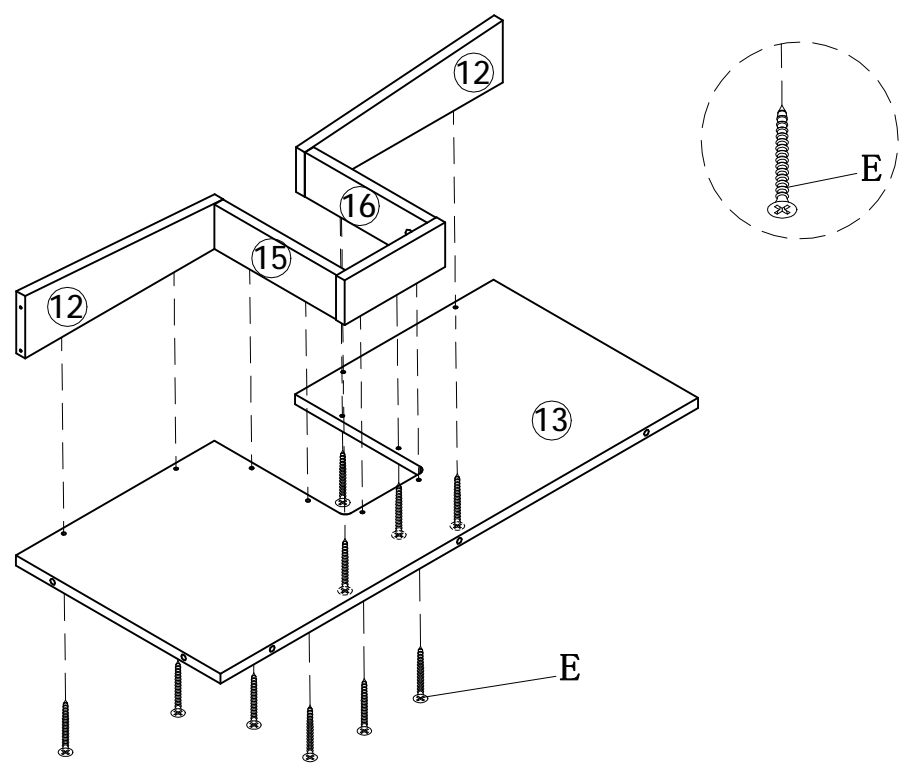
STEP 8

Ax2
Bx2
Ex2



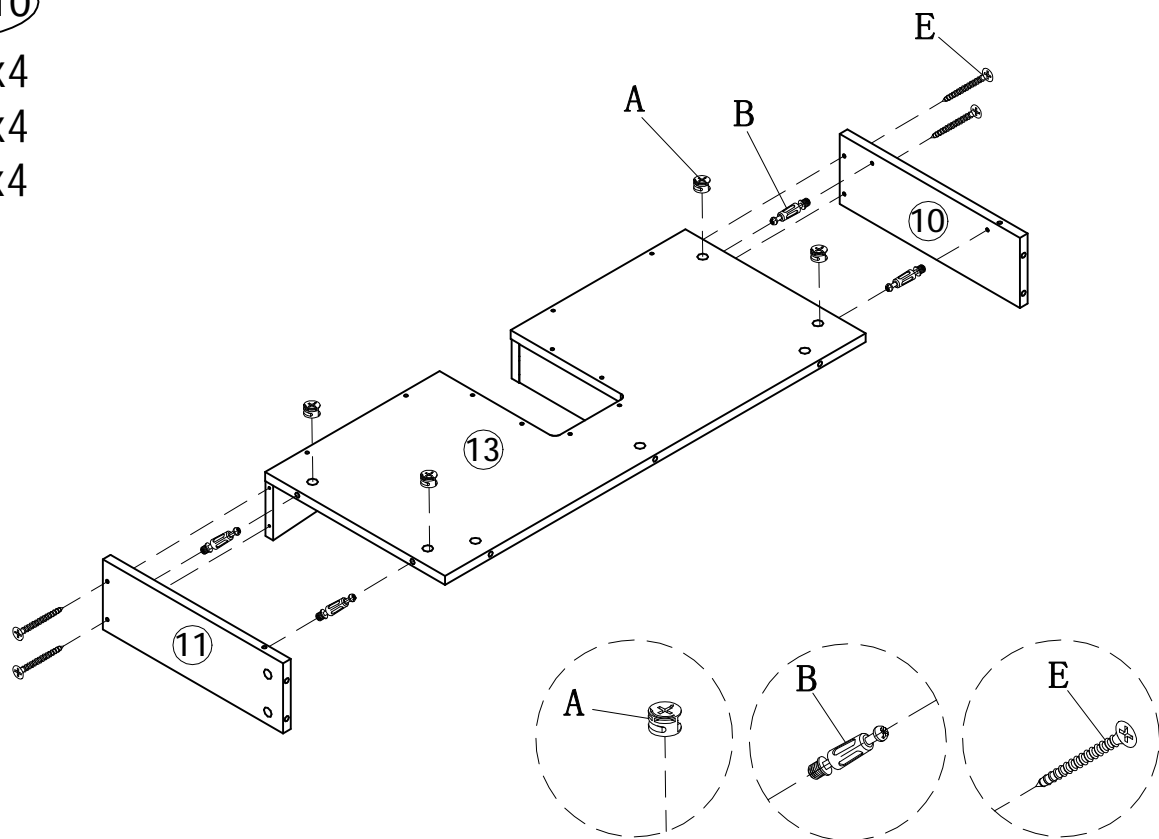
STEP 9

Ex10



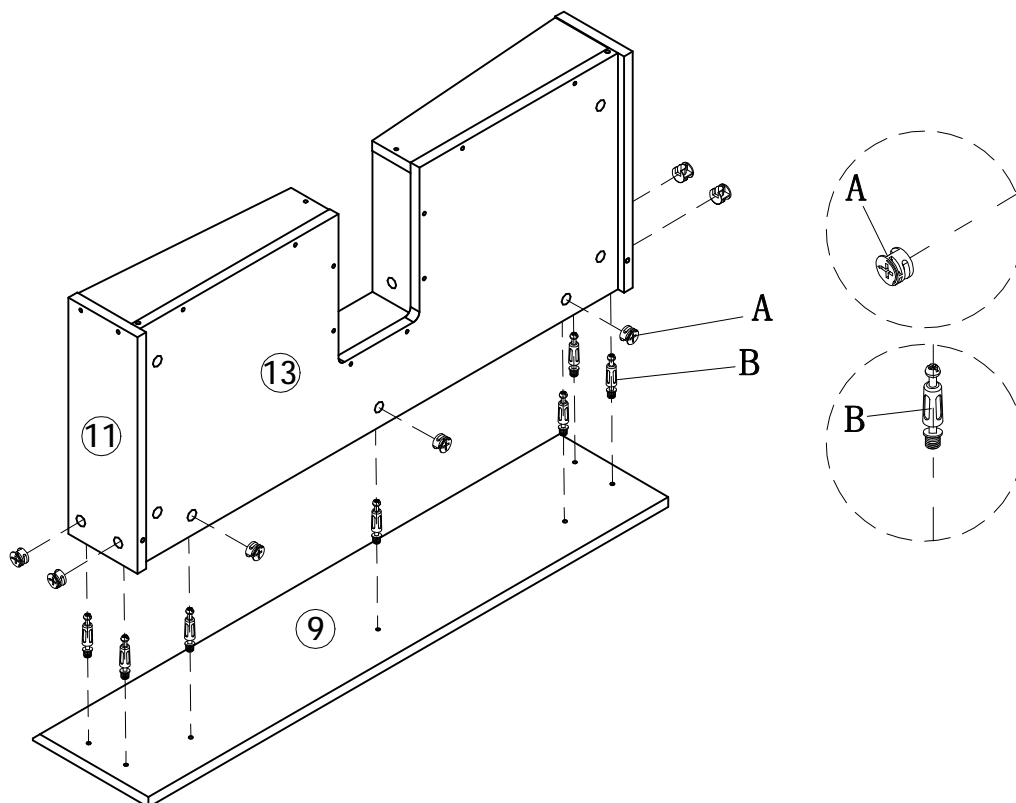
STEP 10

Ax4
Bx4
Ex4



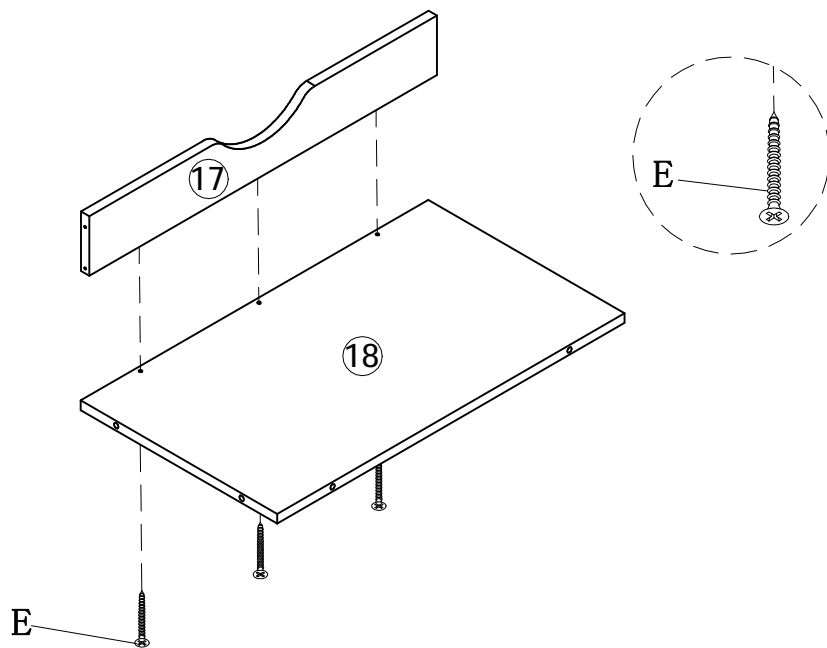
STEP 11

Ax7
Bx7



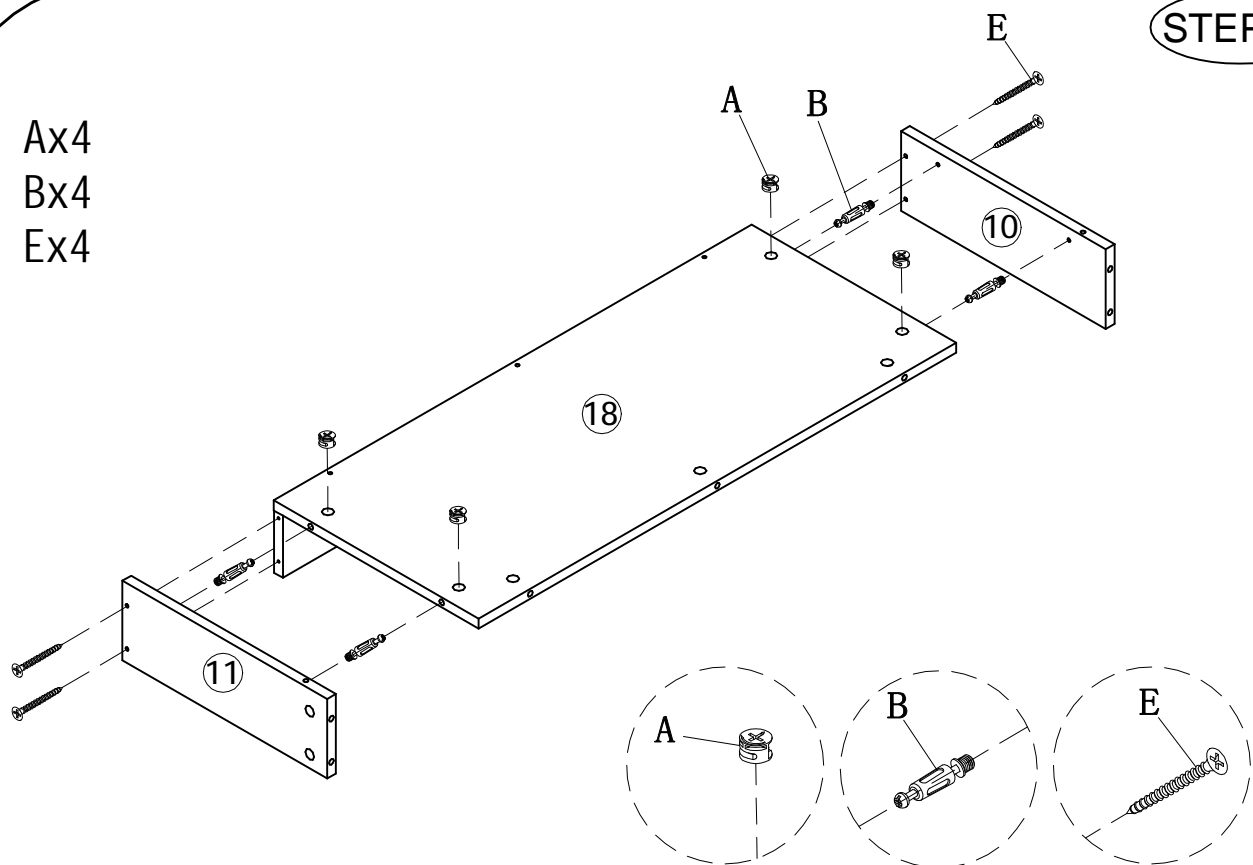
STEP 12

Ex3



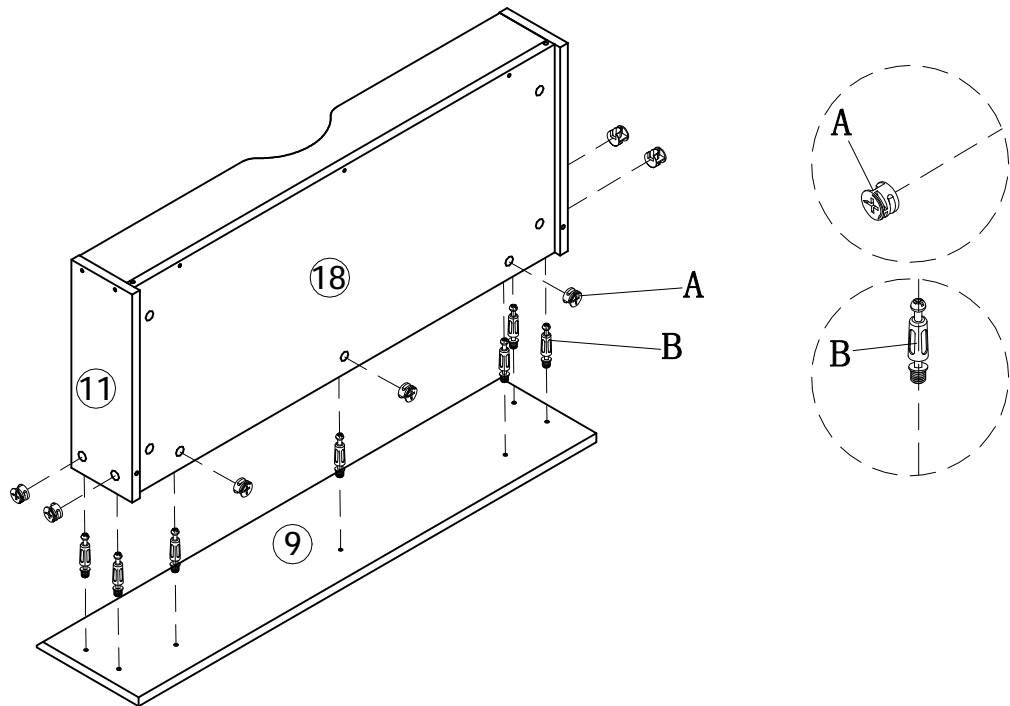
STEP 13

Ax4
Bx4
Ex4

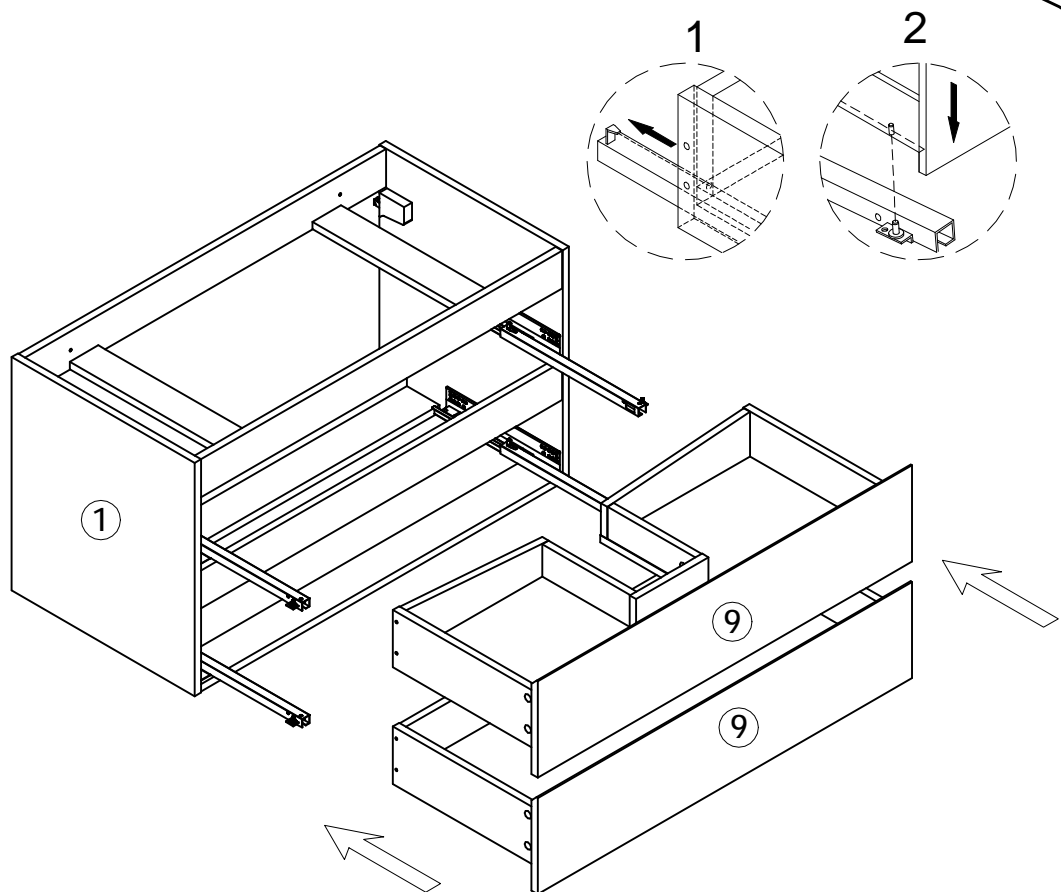


STEP 14

Ax7
Bx7

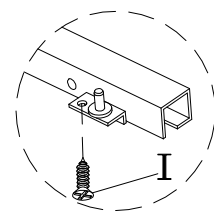
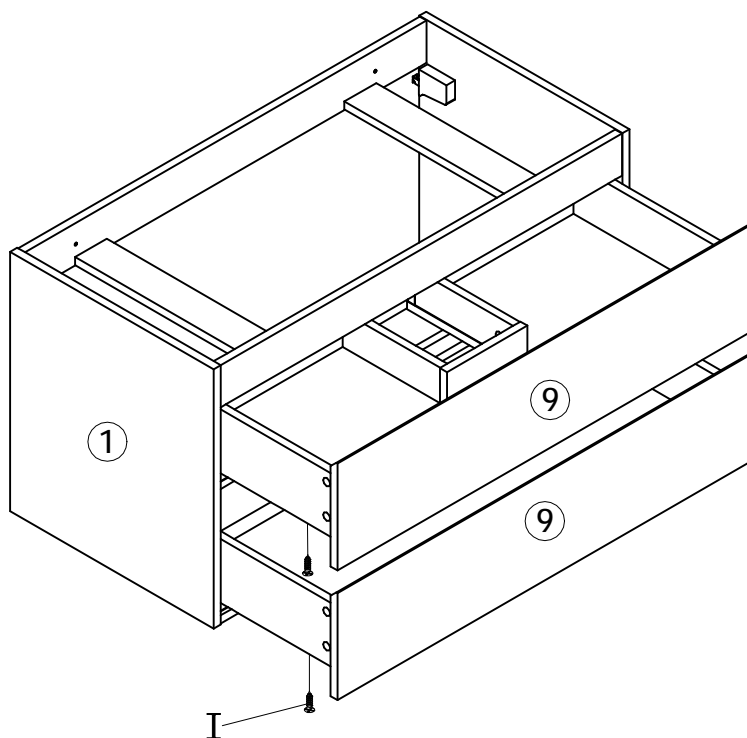


STEP 15

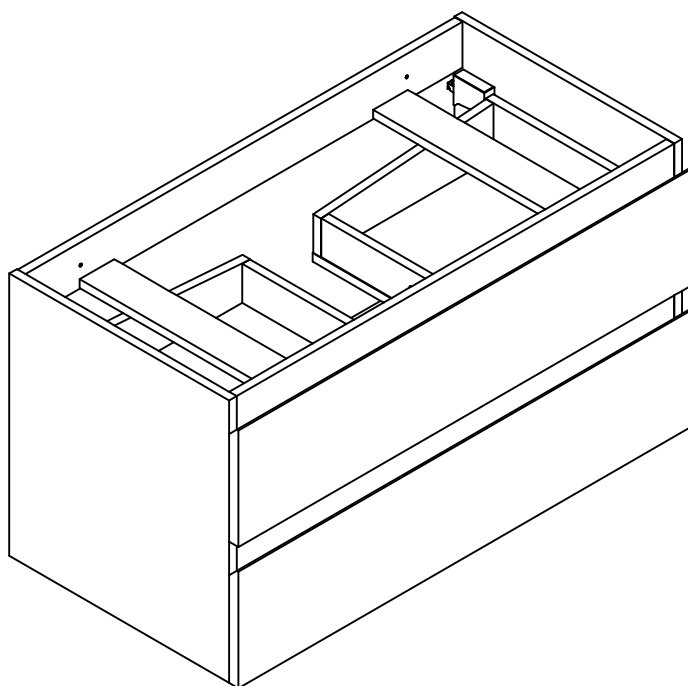


STEP 16

1x4



STEP 17



FINISH