

# Outdoor Privacy Screen

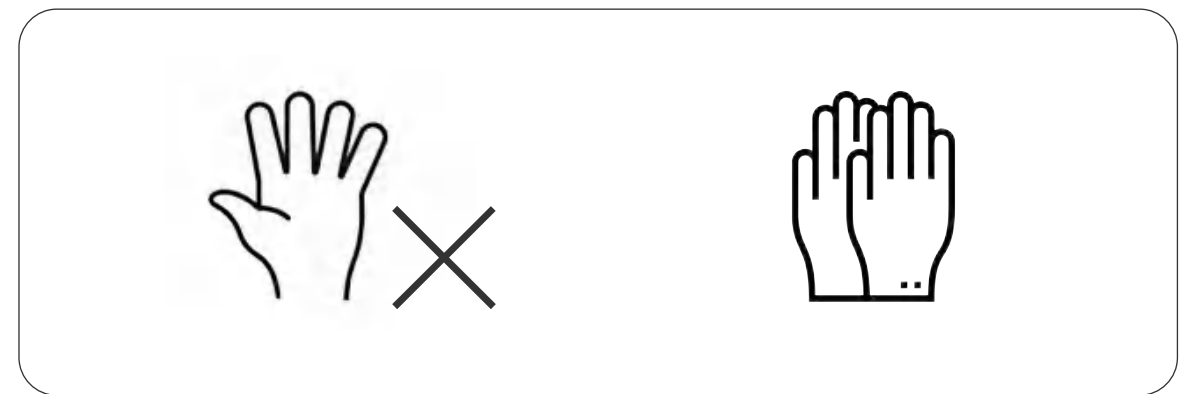


If the privacy screen will be used in a strong wind area, we highly recommend you using four Hex-Head Sleeve Anchors to fix the privacy screen on solid ground.

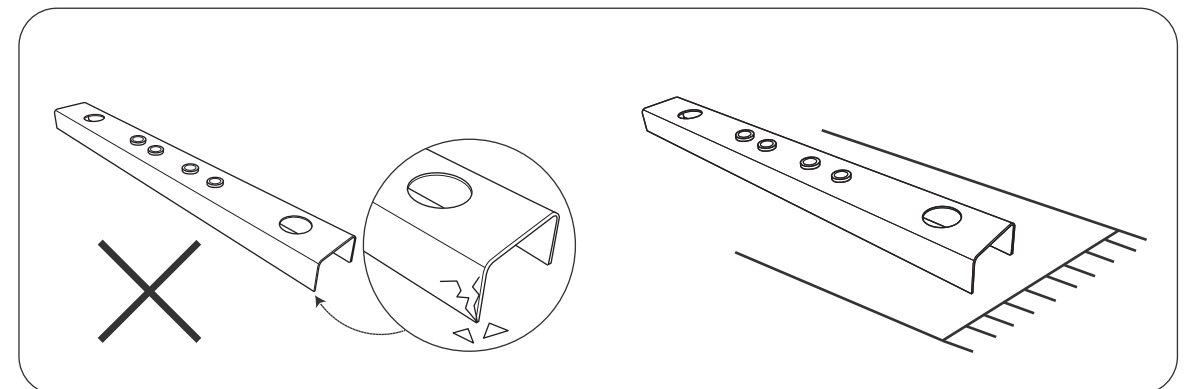
Before assembling, we recommend:

1. Wear Gloves.

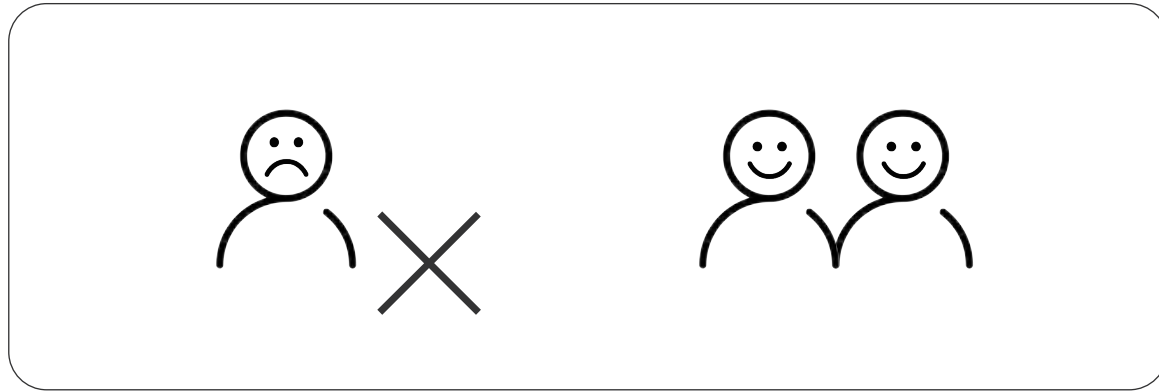
Keep updating...



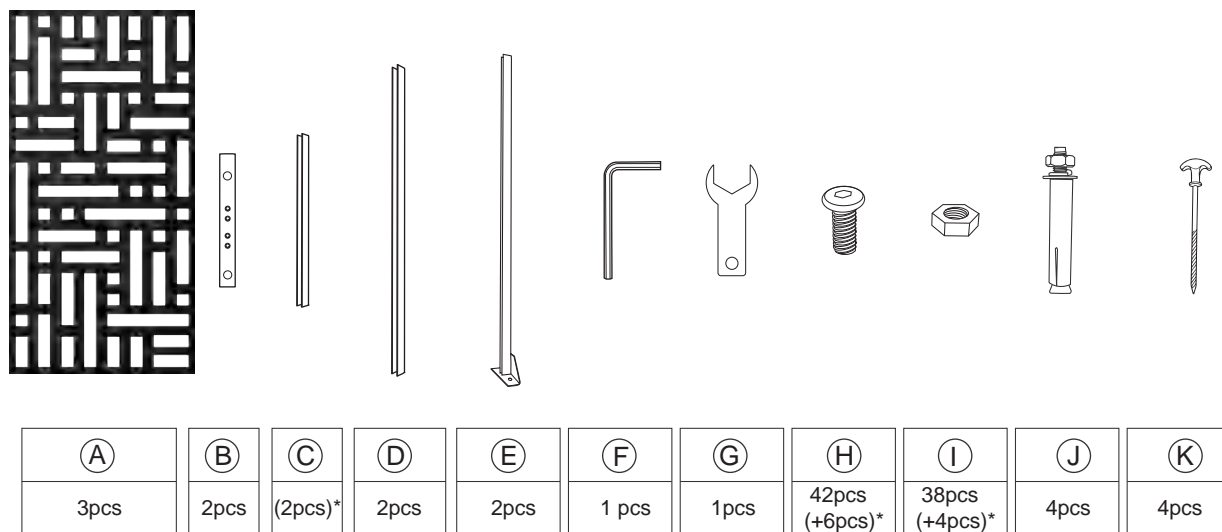
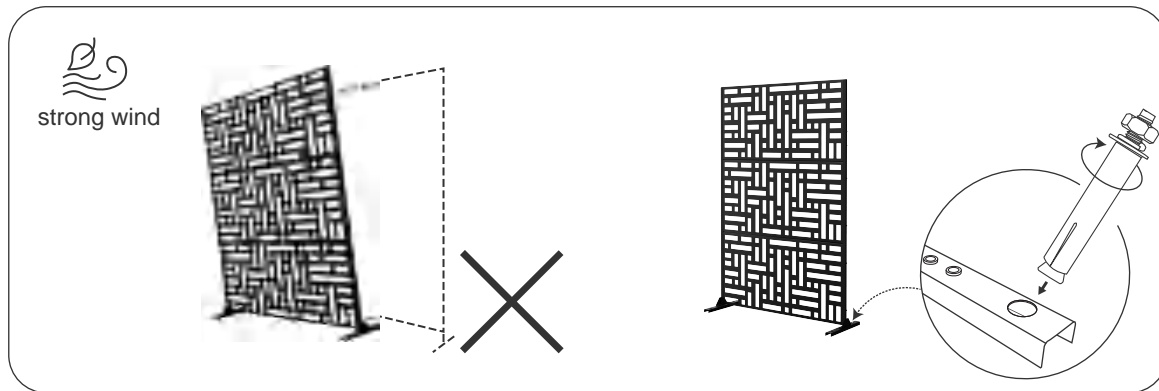
2. Don't assemble the privacy screen on a Hard Surface.



3. Ask for a Helping Hand.



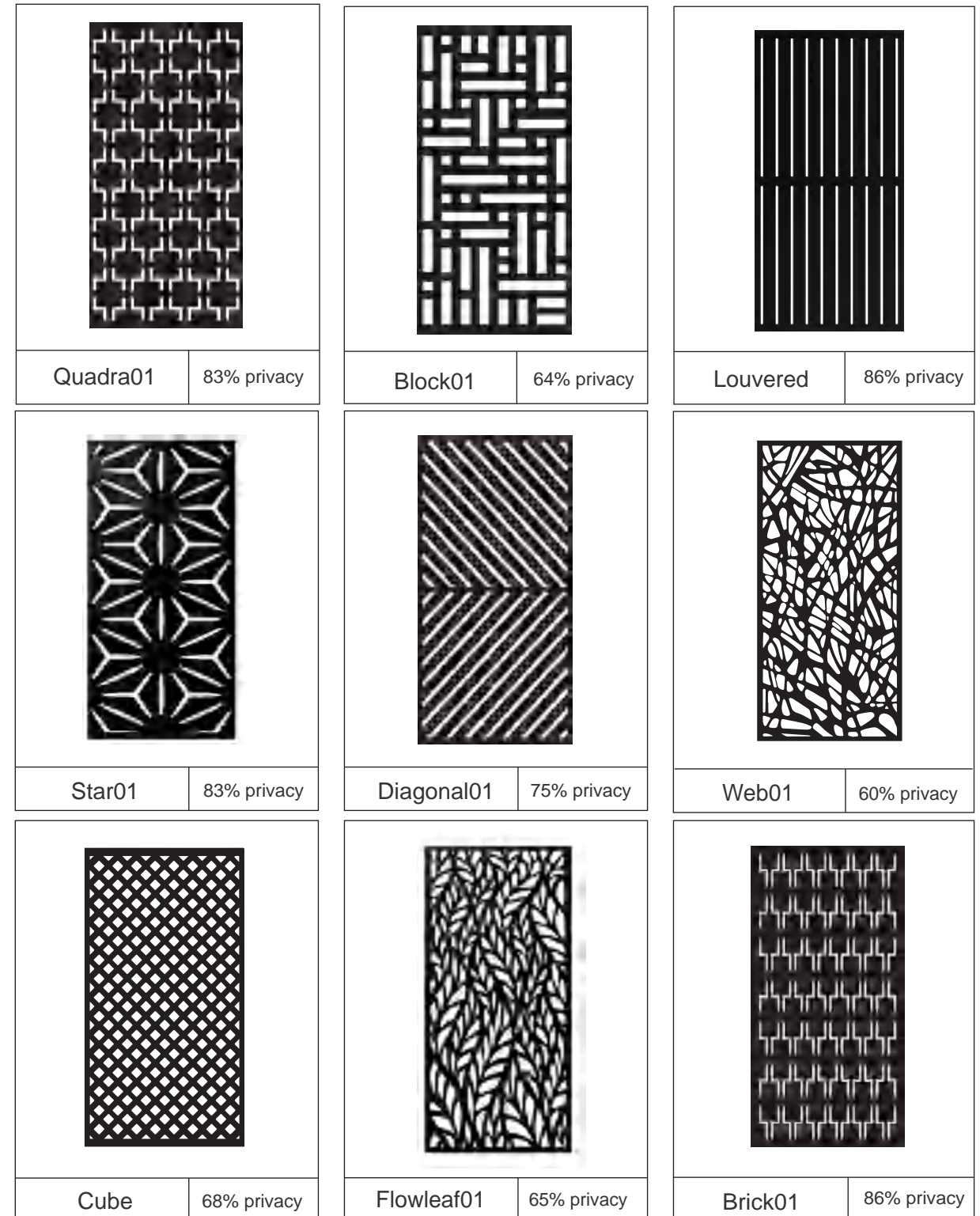
4. Use Hex-Head Sleeve Anchors to fix the privacy screen on solid ground if necessary.



ps: "\*"additional accessories  
part © for Vertical Installation only.

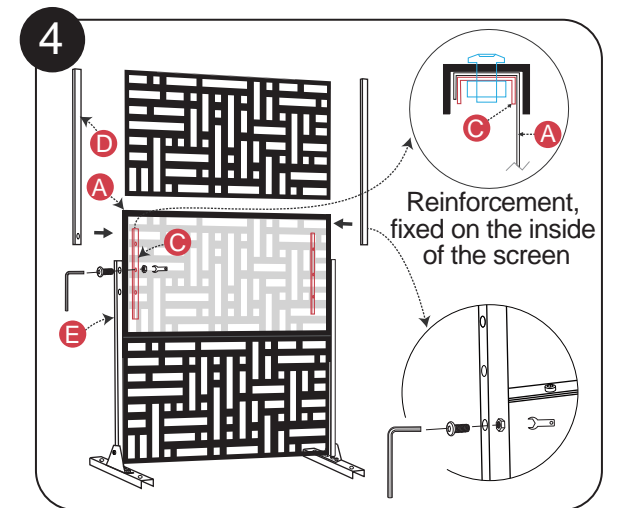
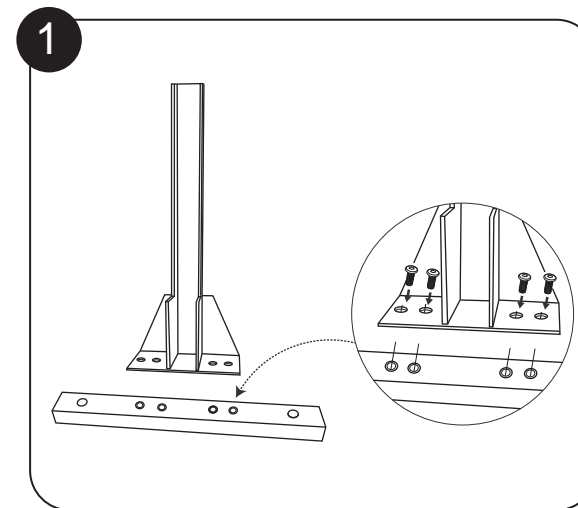
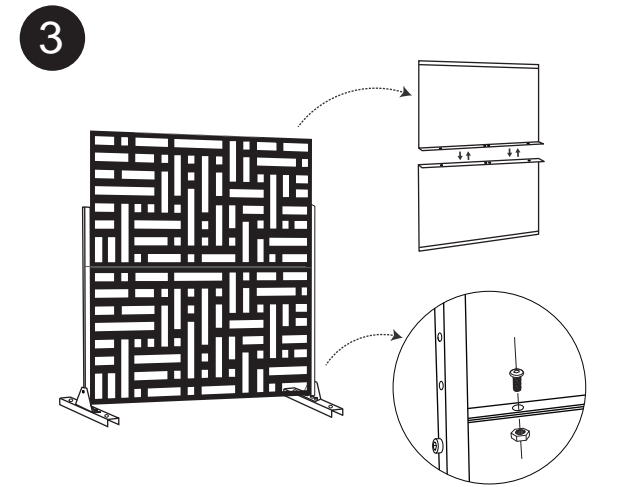
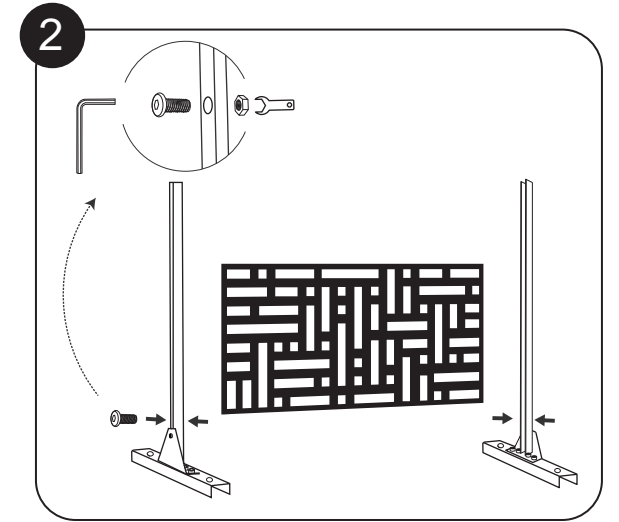
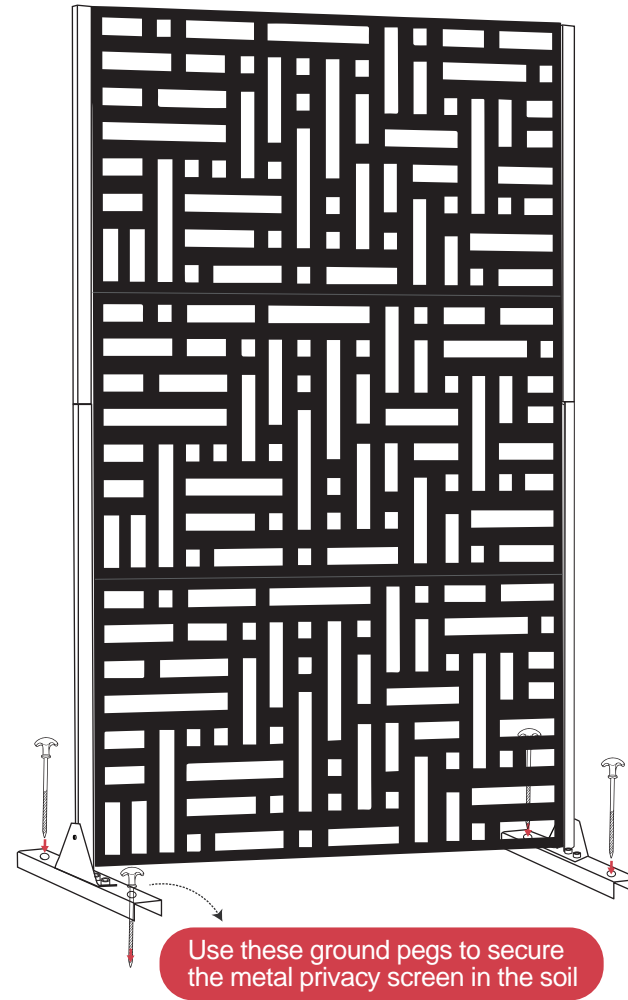
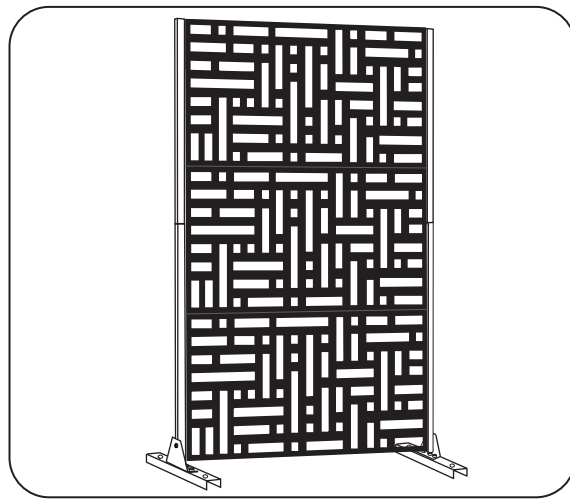
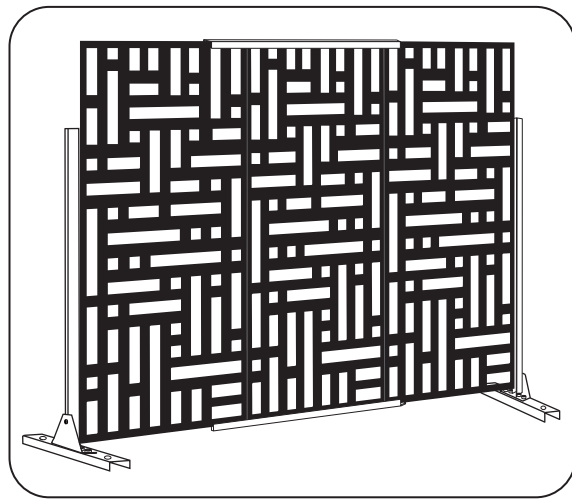
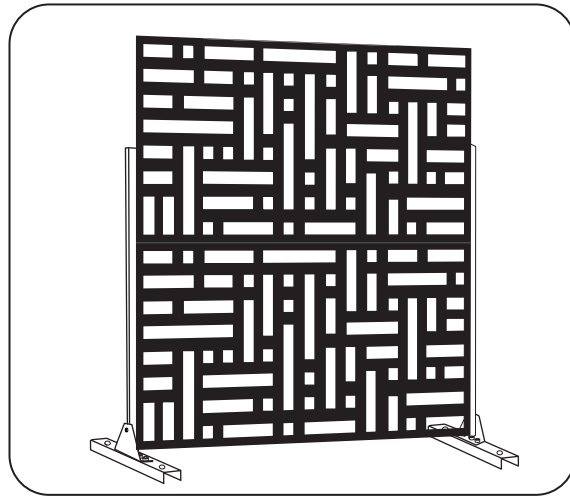
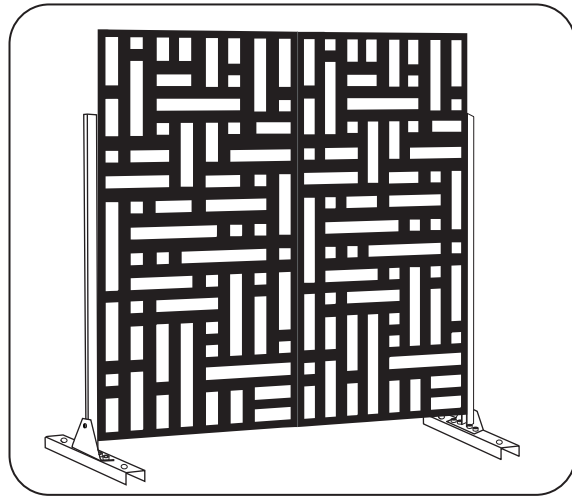
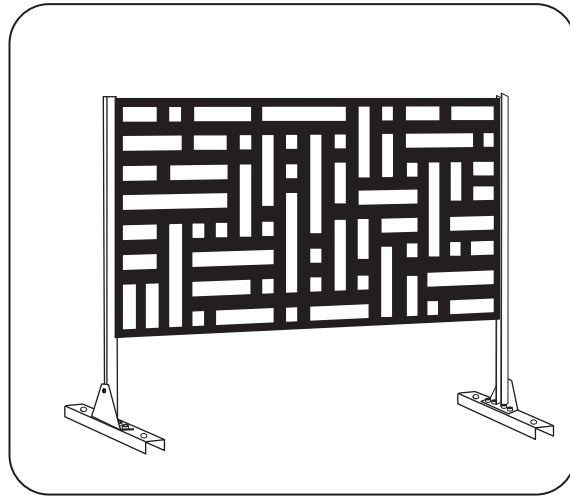
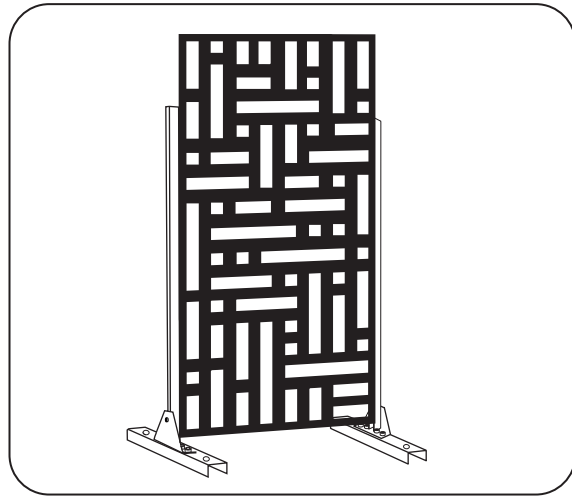
# Design

We have various choices of pattern for you:

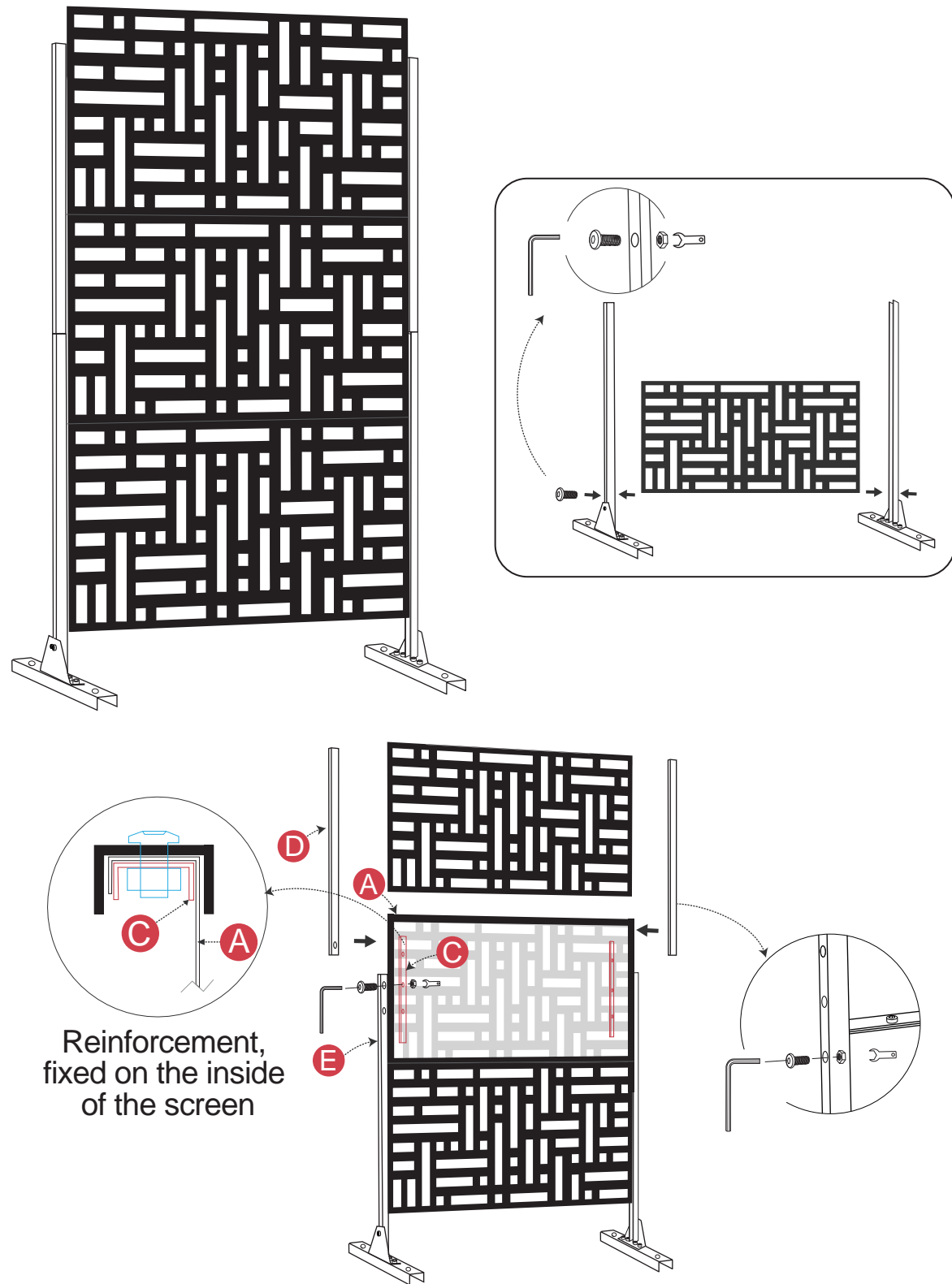


# Single Panel & Stand

# Vertical Installation ( 72"Height )



# Vertical Installation ( 76"Height )



# Horizontal Installation

