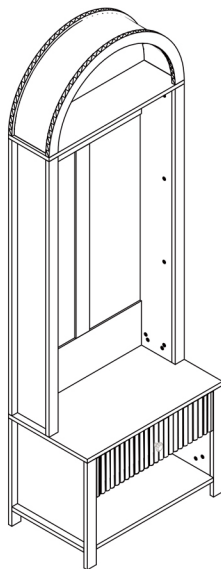
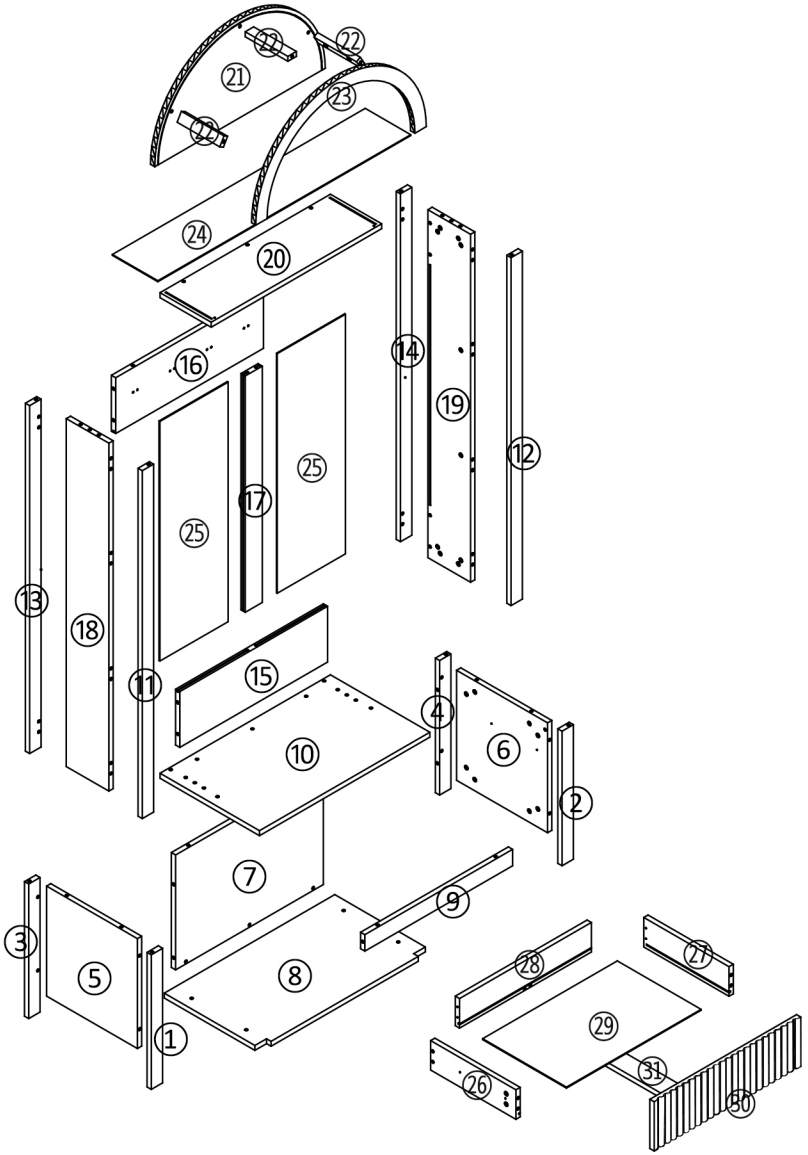
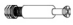


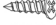
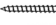






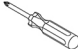




ASSEMBLY INSTRUCTION

- Read the assembly instructions carefully before beginning assembly.
- Ensure the safety of the glass during assembly.
- Do not over tighten the screws and bolts as this may damage the threads.
- Insert the screw into the hole as shown in the figure, follow the arrow in the picture, and then rotate 90° or 180° clockwise.
- Keep the small accessories in the accessory bag away from children.
- The remaining parts are spare parts.
- Kind tips: when installing the white backboard, install the white side inward.
- The operating instruction of RGB light is included in the package. Read it carefully when assembling .



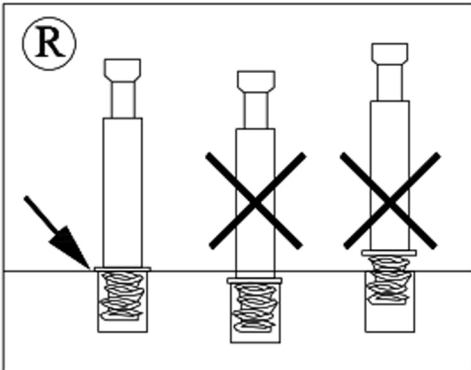
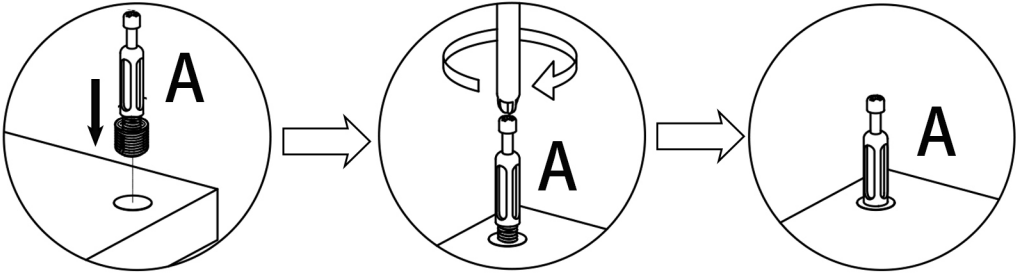


A  86pcs	B  86pcs	C  3.5*14 20pcs	C1  3*12 8pcs	C9  4*30 8pcs	E  8*40 28pcs	F  1pcs	F1  1pcs	K  2pcs	X  2pcs
Y  12pcs	AG  1pcs	AM  Decorative paper 32pcs	BK  4pcs						



Hardware installation demonstration

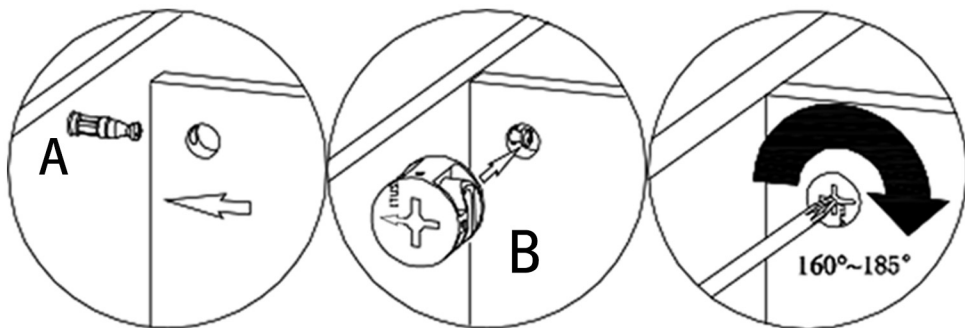
● Please make sure "A" hardware tightened and can't be pulled out





Hardware installation demonstration

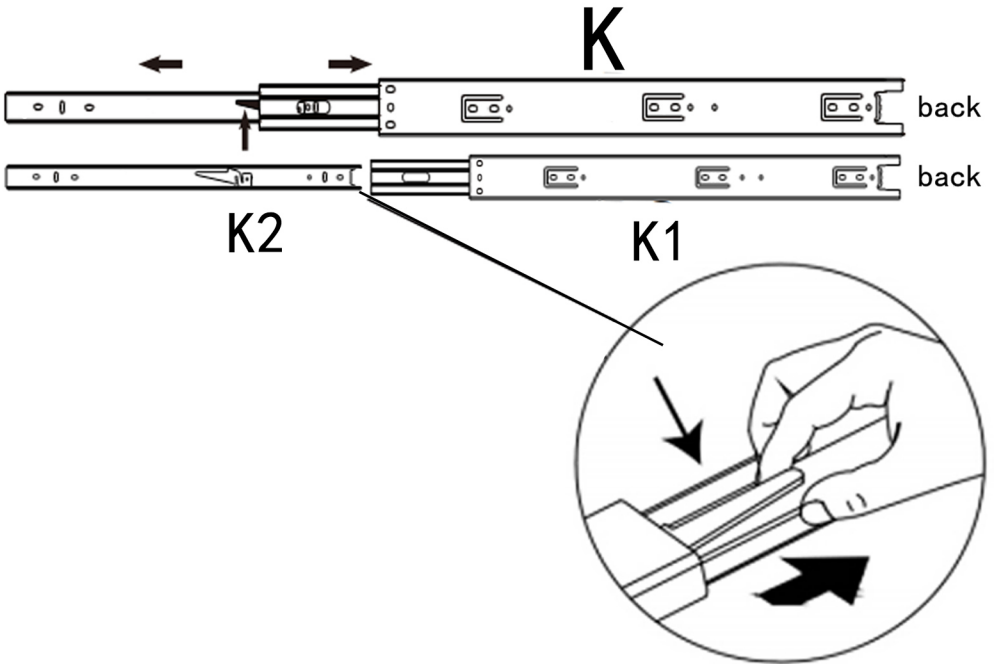
- When inserting cam ensure arrowhead on cam points toward the hole on the panel edge





Hardware installation demonstration

- Before installing the drawer rail, you need to separate the K1 and K2 first.



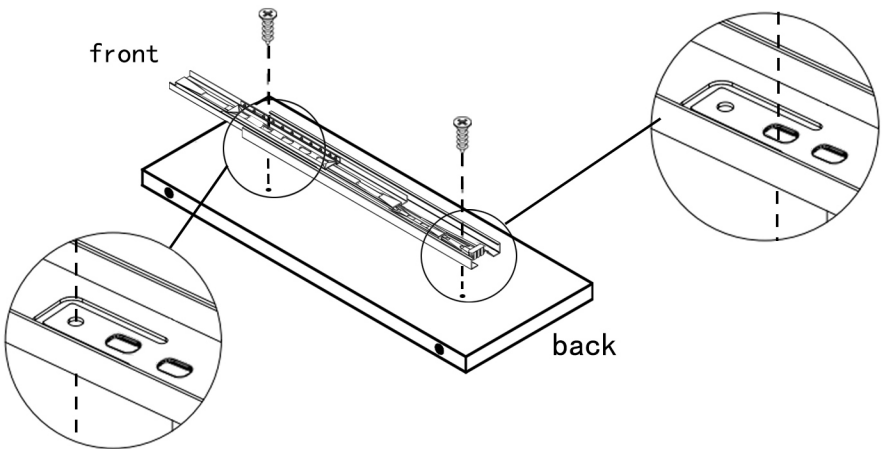
Warm Reminder: Press it and split



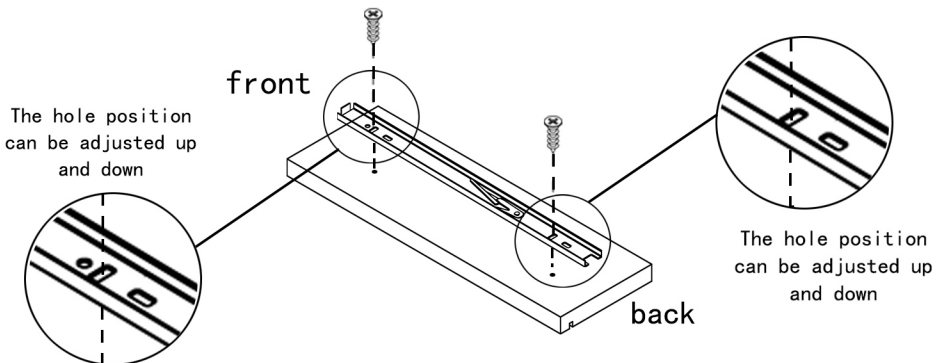
Hardware installation demonstration



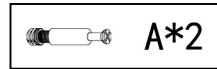
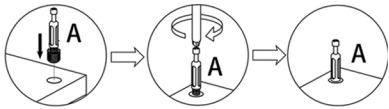
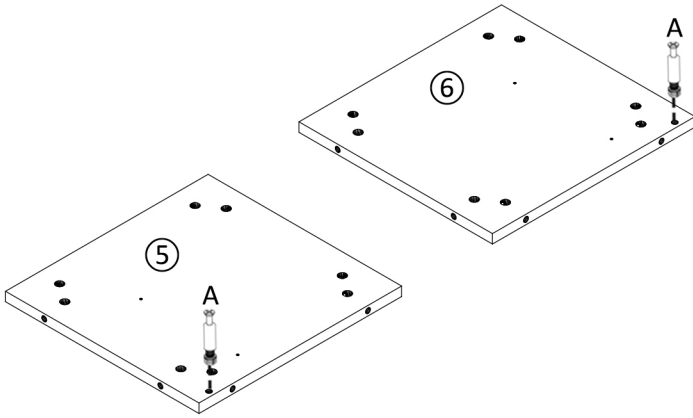
The first screw hole should corresponded with the board location hole



The first screw hole should corresponded with the board location hole

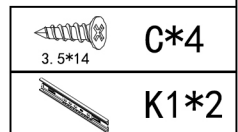
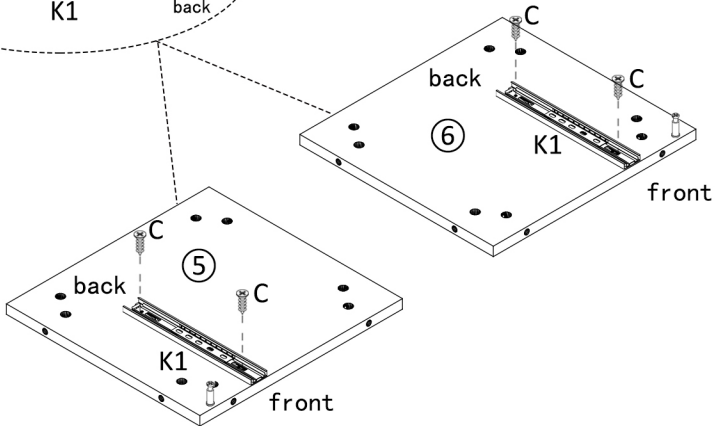
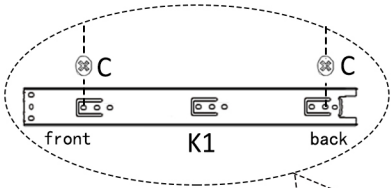


STEP 1

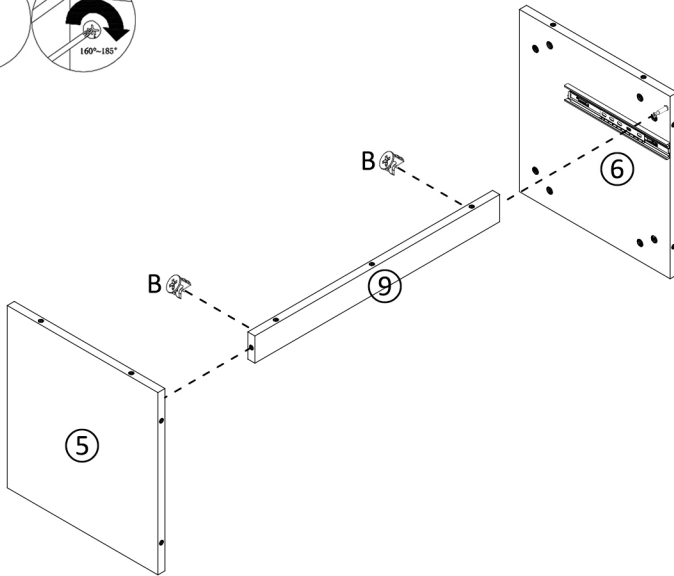
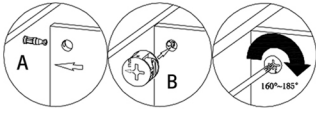


STEP 2

1. Check the slide rail exploded view for disassembly.
2. Align mounting holes using the sectional view.

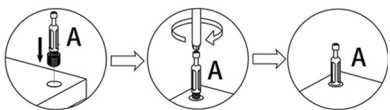
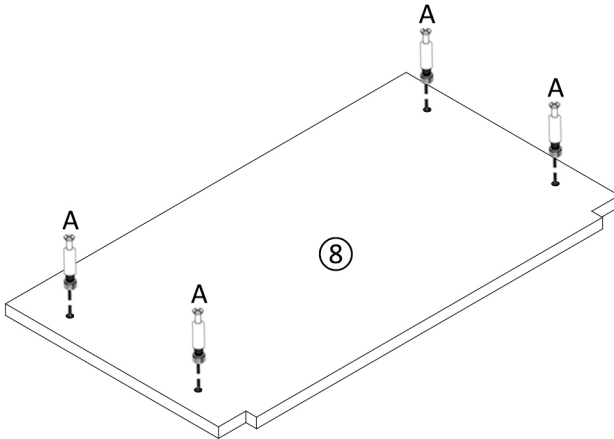


STEP 3



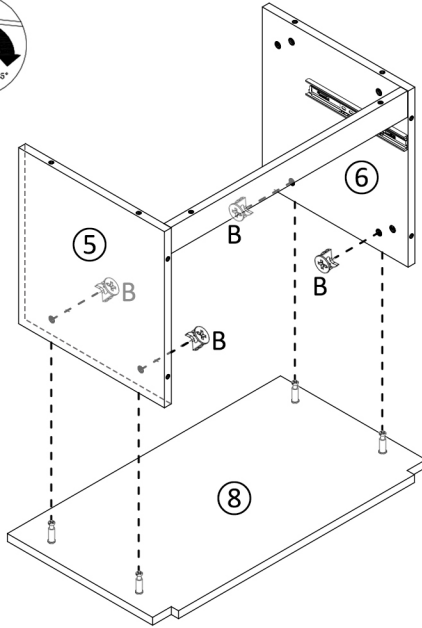
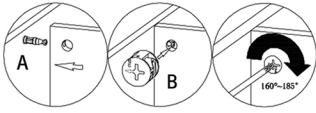
B*2

STEP 4



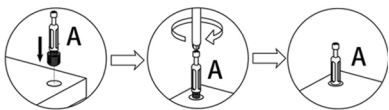
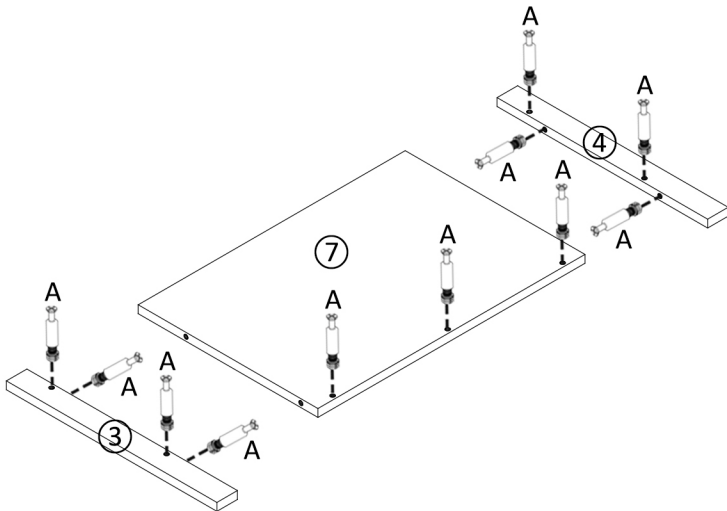
A*4

STEP 5



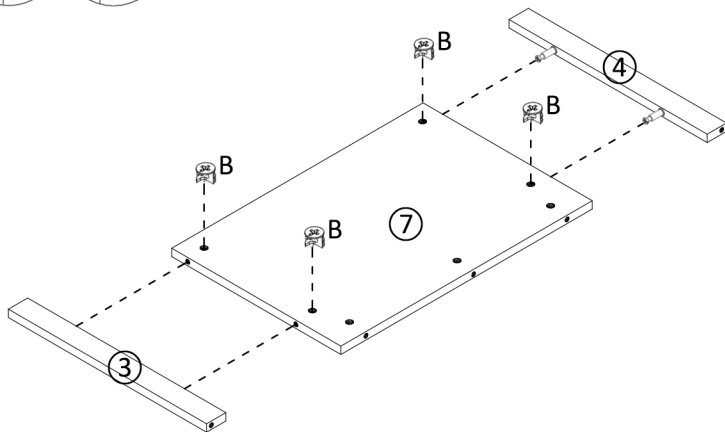
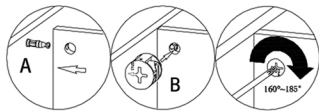
B*4

STEP 6



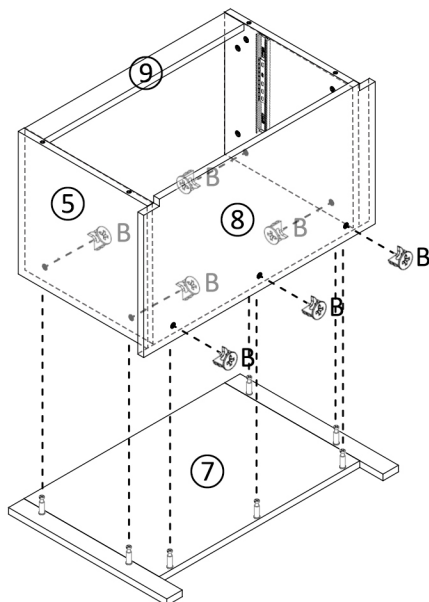
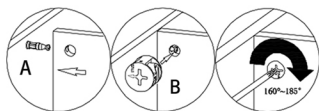
A*11

STEP 7



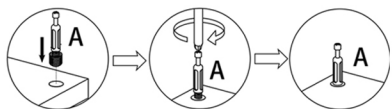
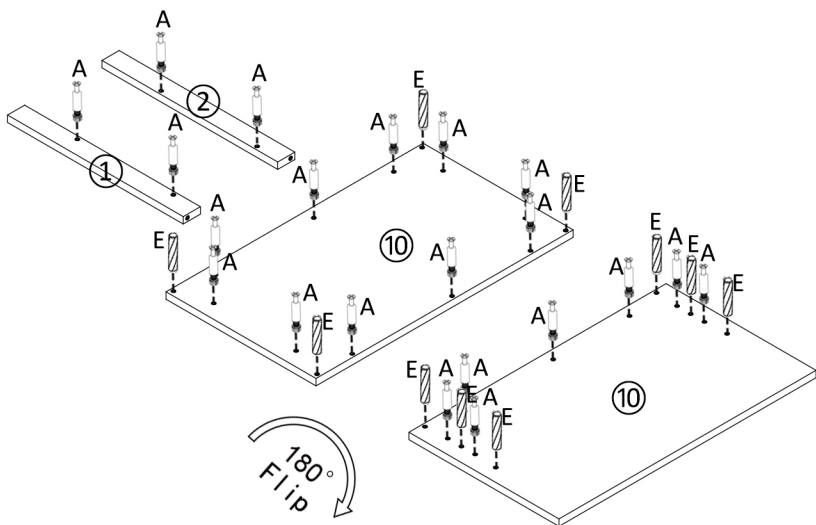
 B*4

STEP 8



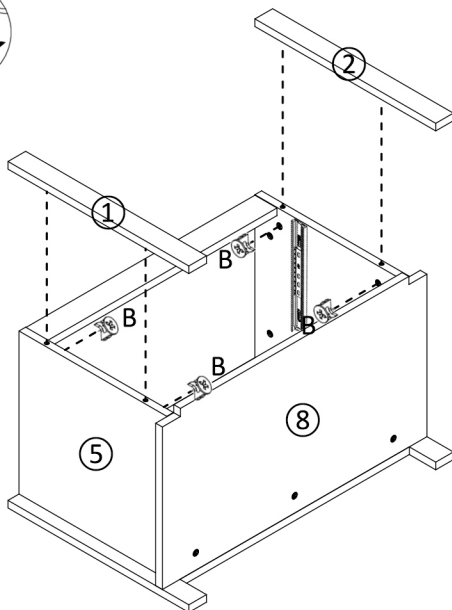
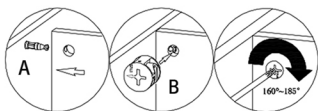
 B*7

STEP 9 Flip board #10 180 degrees and install hardware fittings on the opposite side



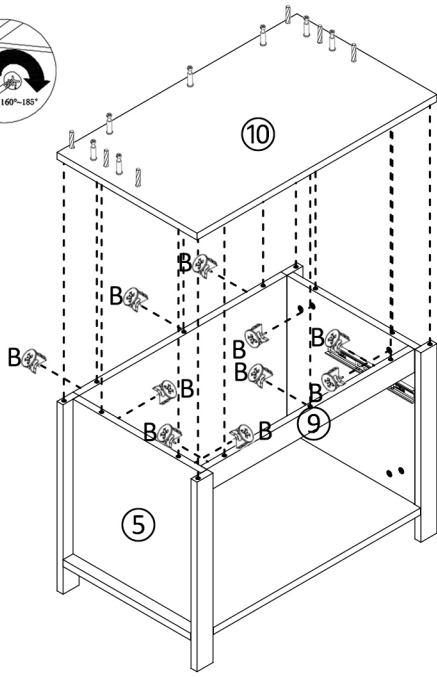
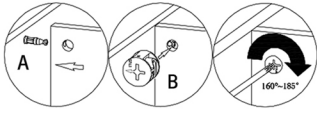
	E*10
	A*21

STEP 10



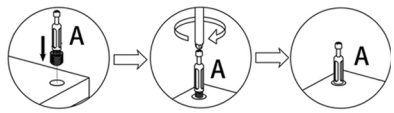
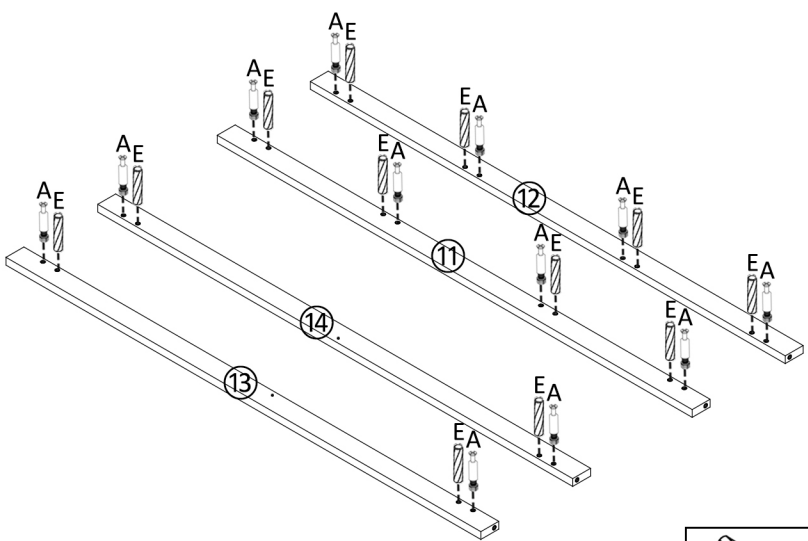
	B*4
--	-----



STEP 11



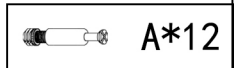
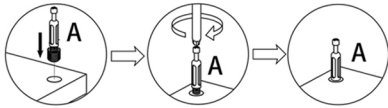
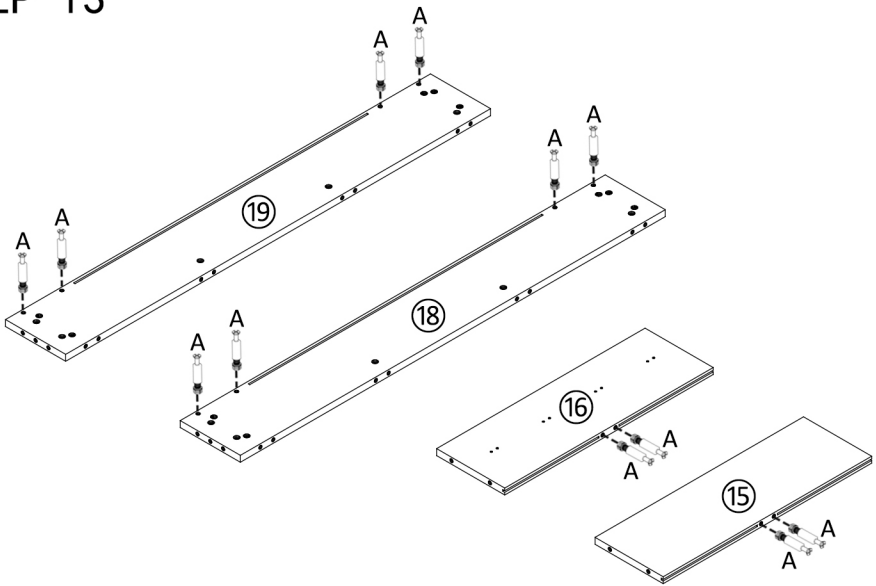
 B*10

STEP 12

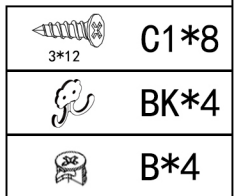
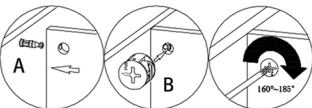
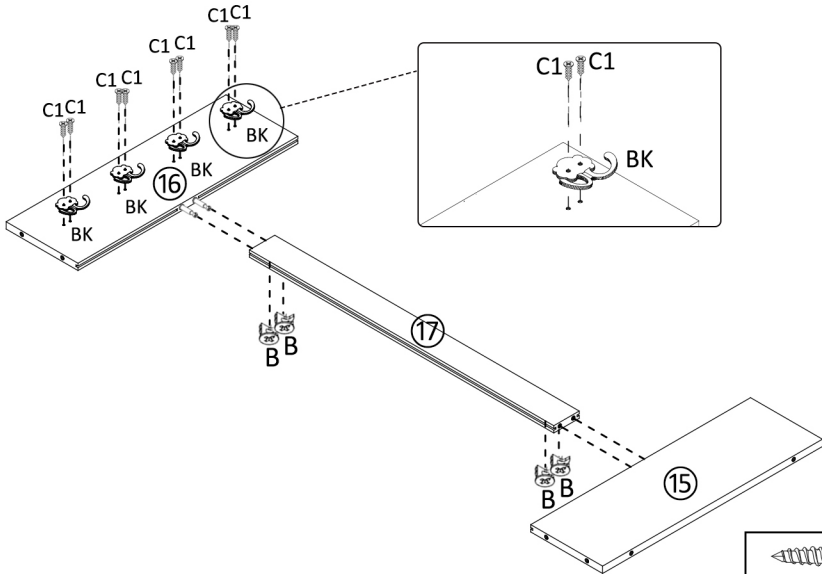


 E*12
 A*12

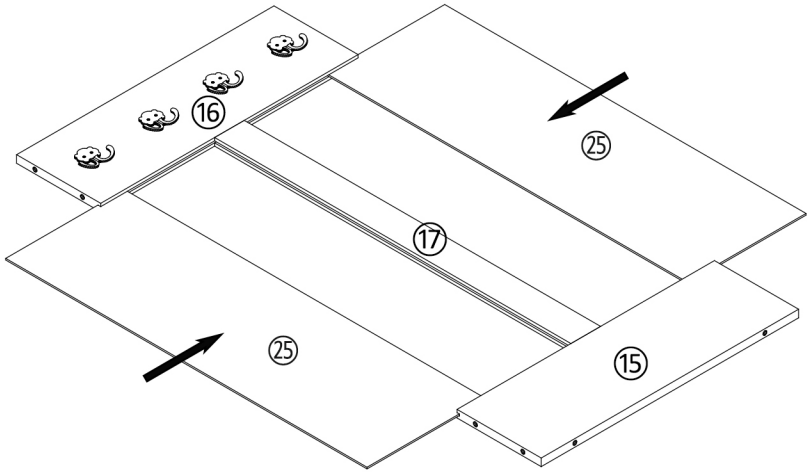
STEP 13



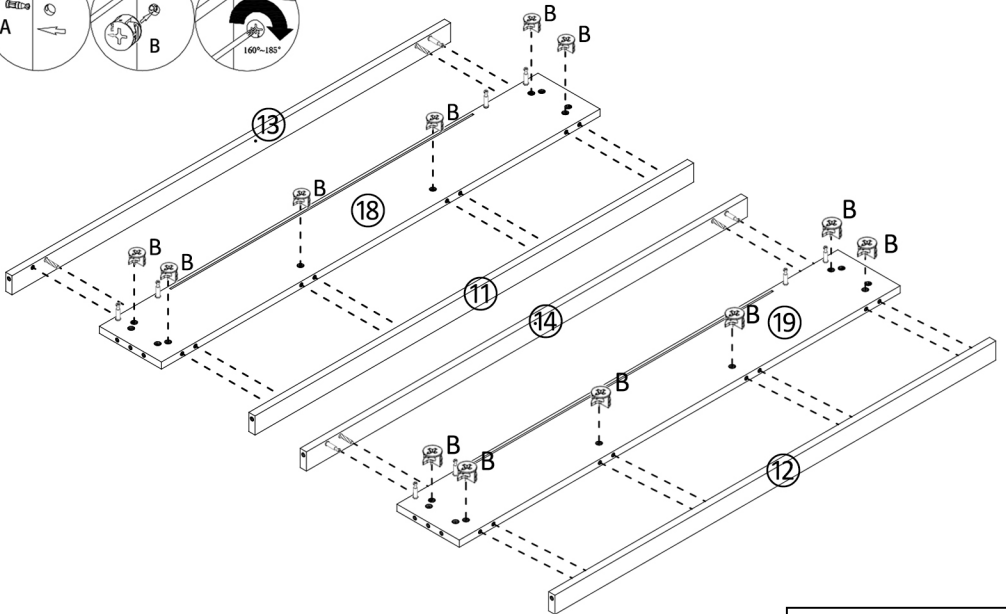
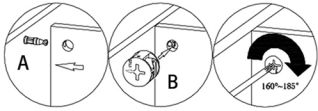
STEP 14



STEP 15

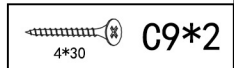
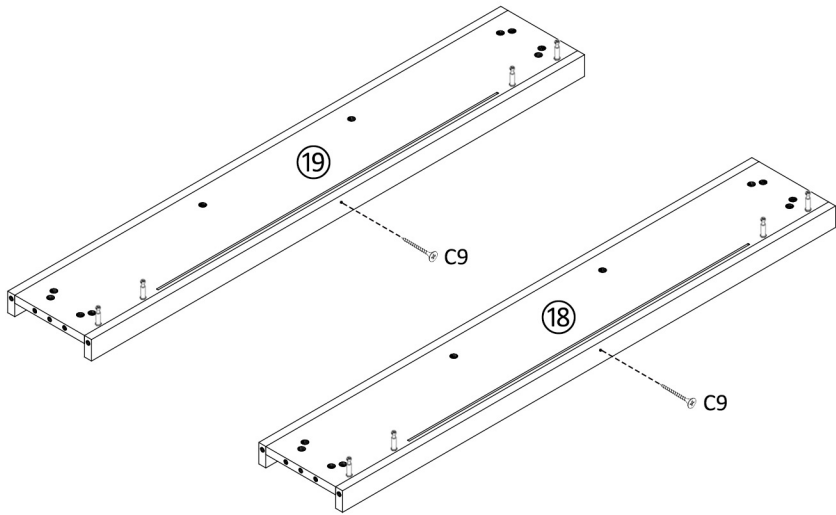


STEP 16

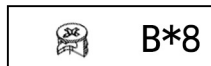
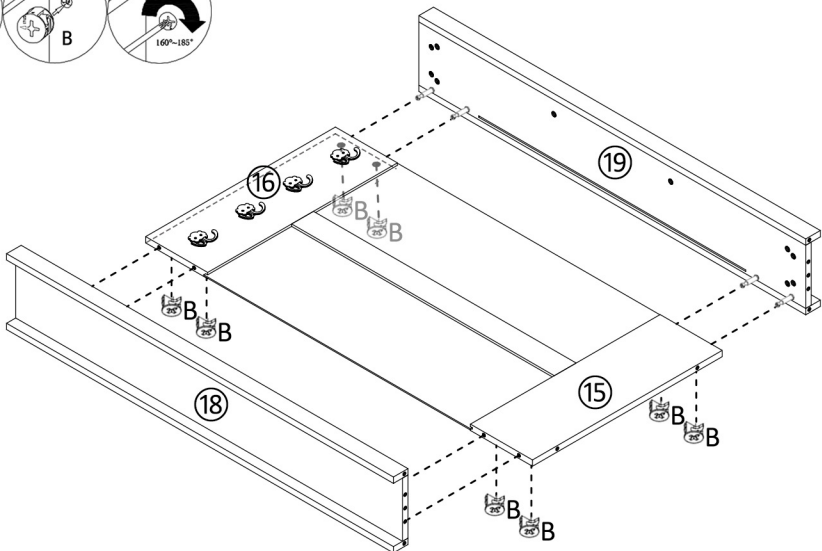
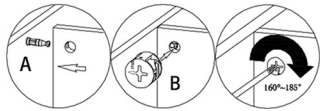


B*12

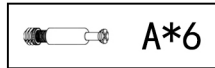
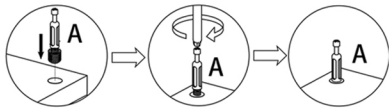
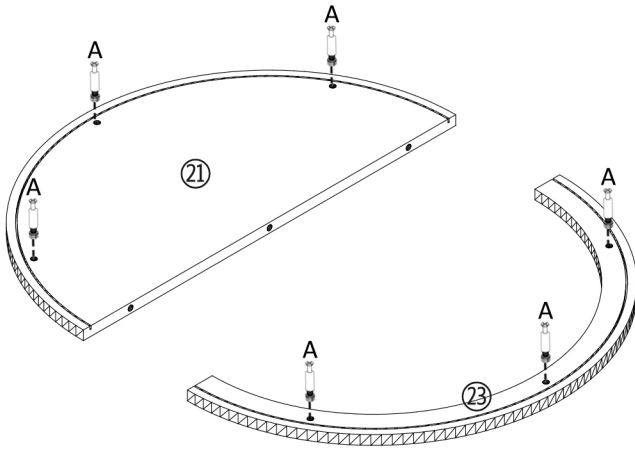
STEP 17



STEP 18

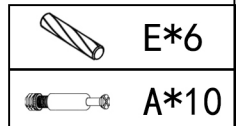
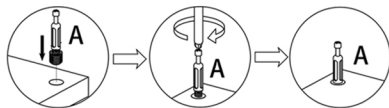
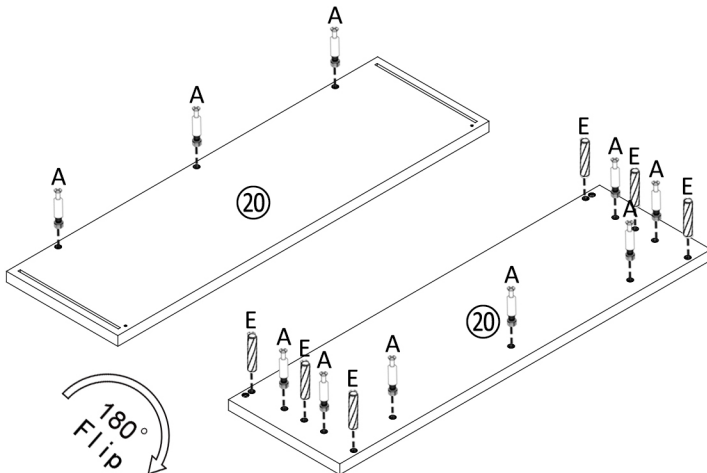


STEP 19

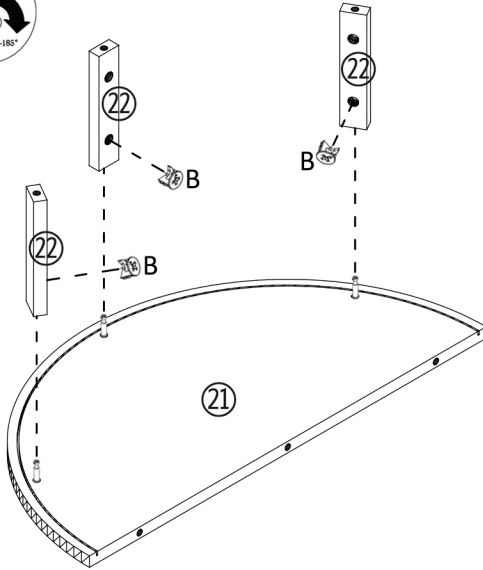
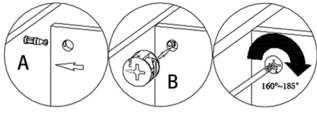


STEP 20

Flip board #20 180 degrees and install hardware fittings on the opposite side

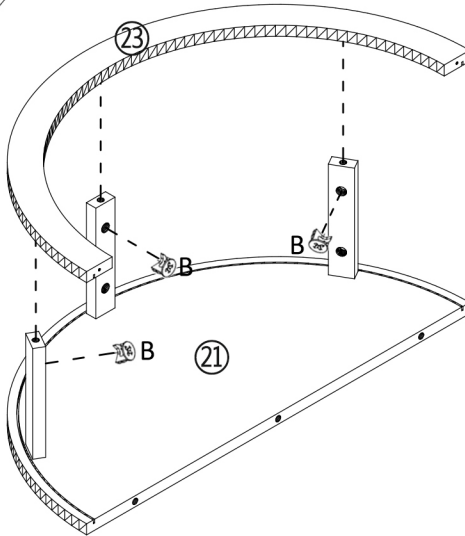
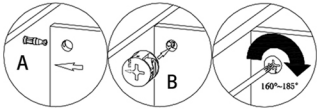


STEP 21



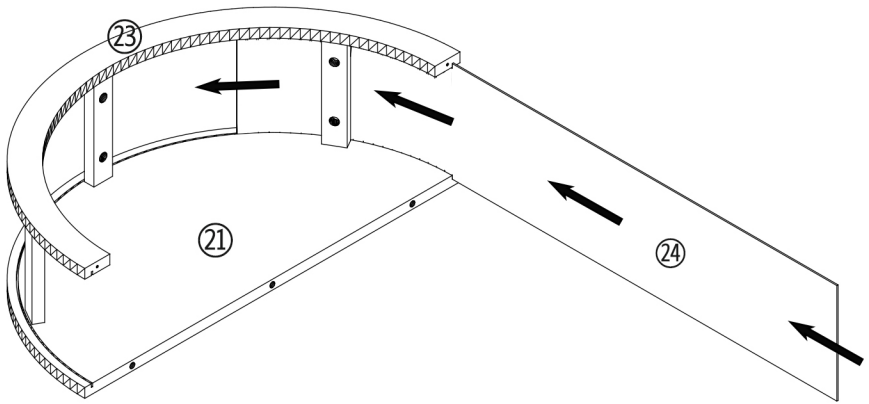
 B*3

STEP 22

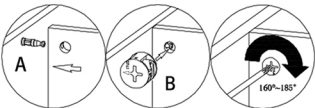
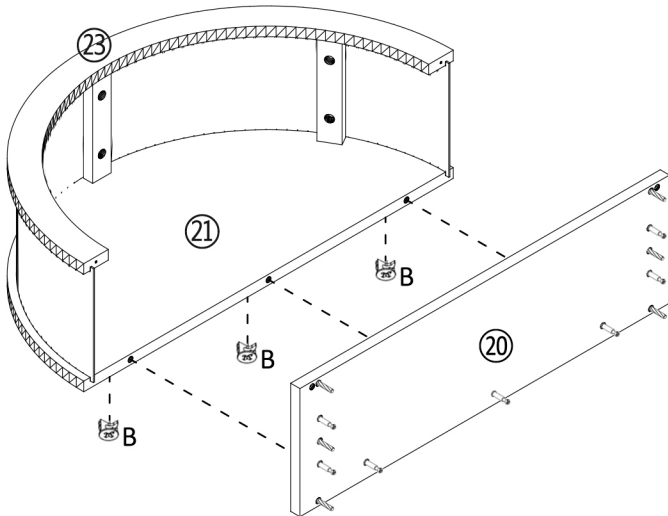


 B*3

STEP 23

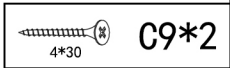
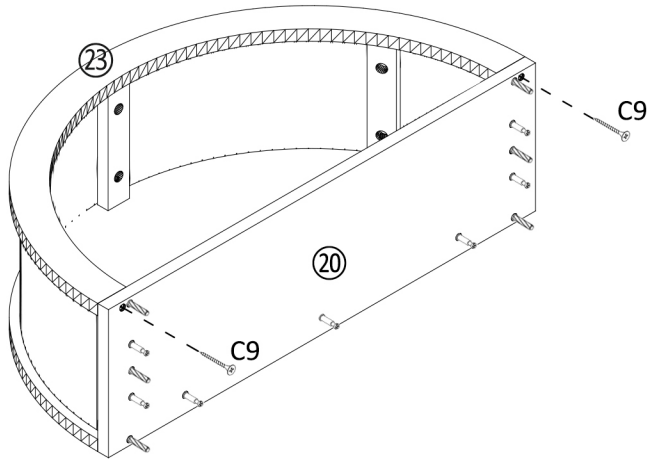


STEP 24

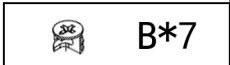
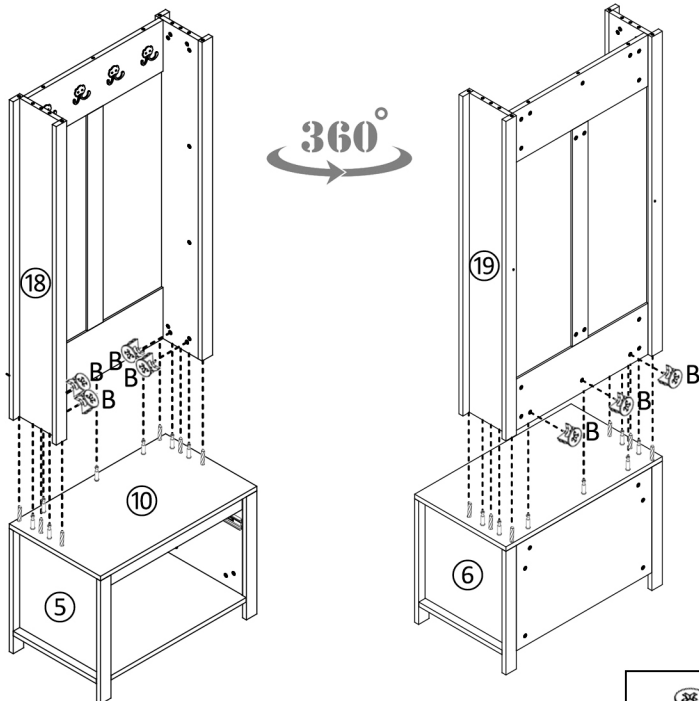


B*3

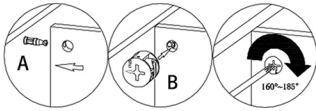
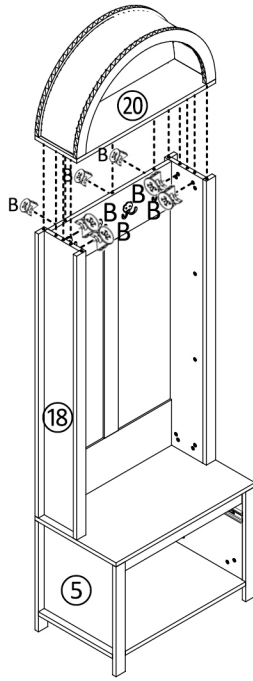
STEP 25



STEP 26

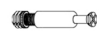
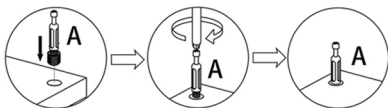
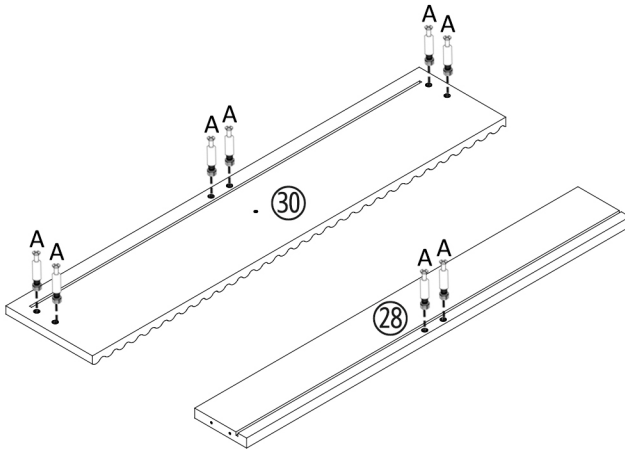


STEP 27



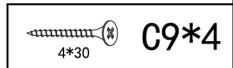
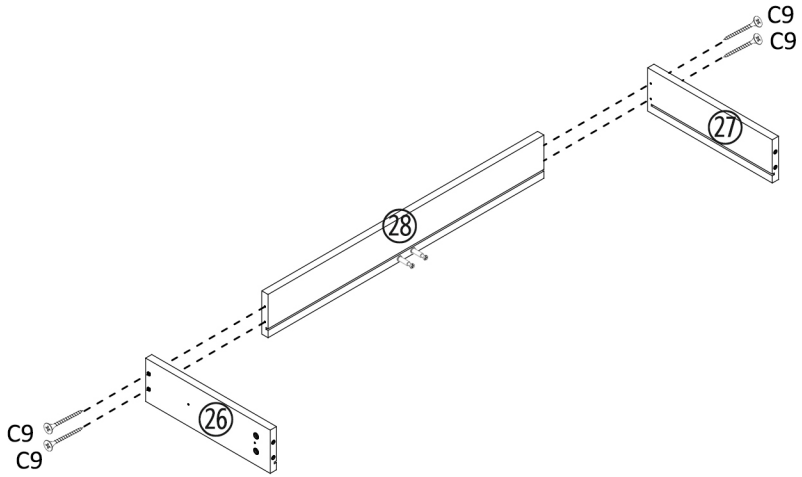
B*7

STEP 28

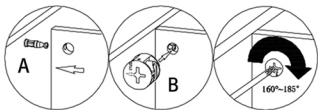
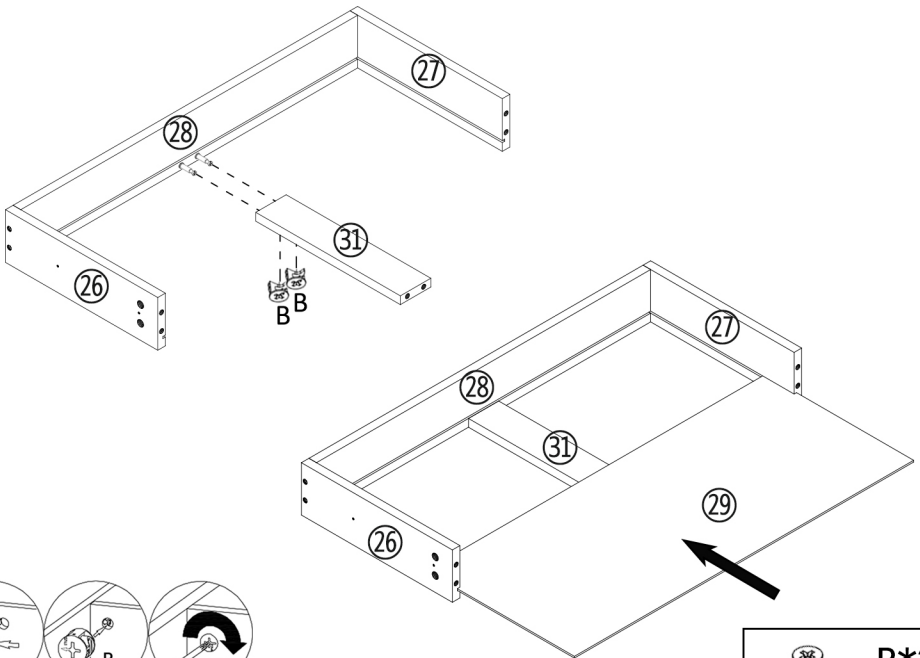


A*8

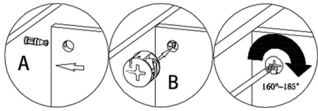
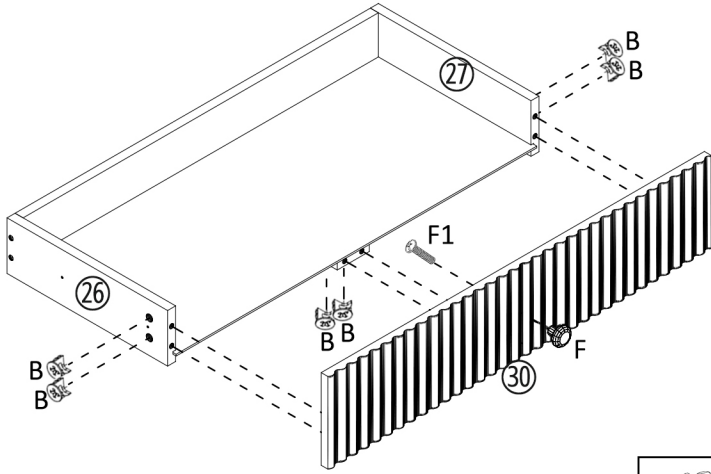
STEP 29






STEP 30

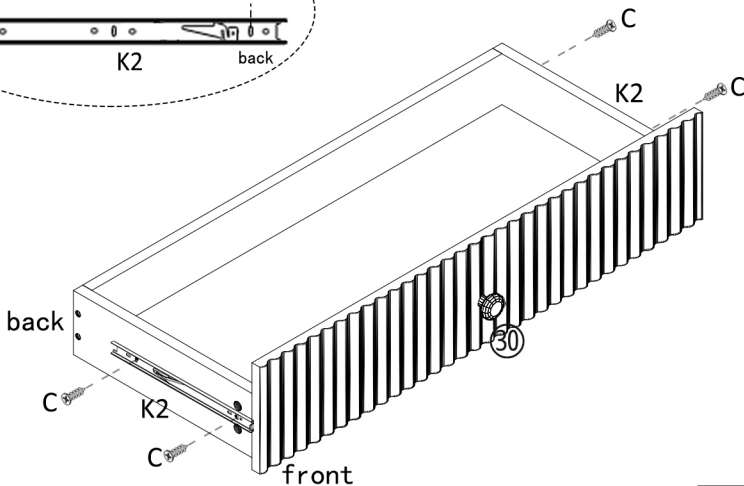
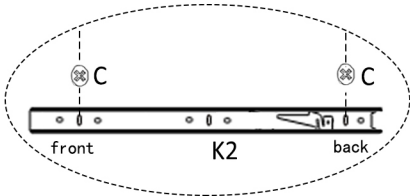


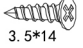

STEP 31



	F*1
	F1*1
	B*6

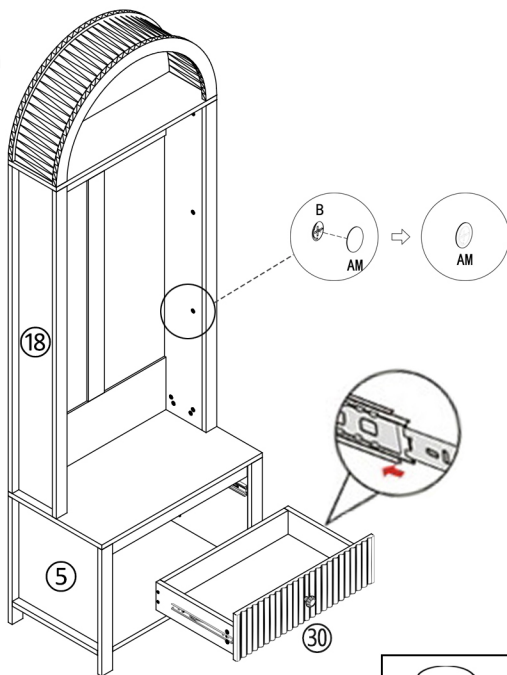
STEP 32



	C*4 3.5*14
	K2*2

STEP 33

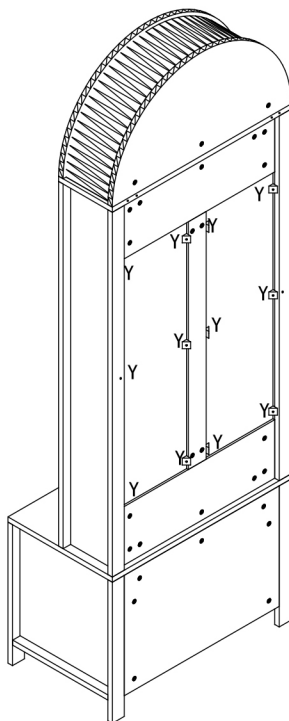
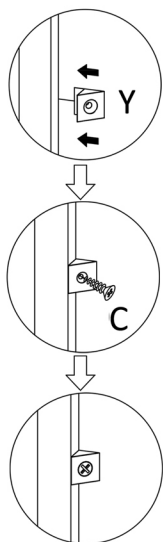
Note: When assembling the inner slide rail, it is necessary to place the inner slide rail on the steel ball component first, and push the inner rail parallel to the outer rail together. Direct violence will lead to the falling off or deformation of the rail steel ball.



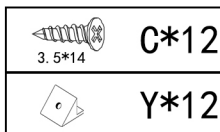
Please stick the decorative paper on the hole



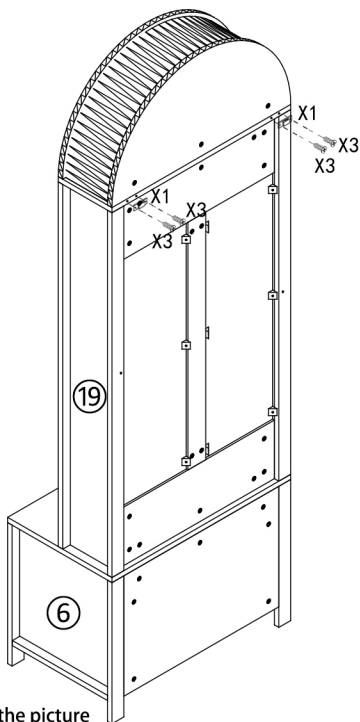
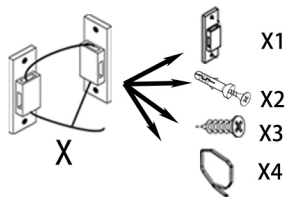
STEP 34



Use tools to install if necessary



STEP 35

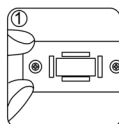
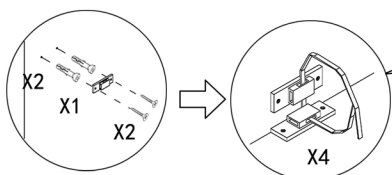


Please separate the parts in bag No.X according to the picture and mark them as X1, X2, X3, and X4.

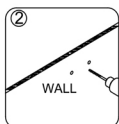
	X3*4
	X1*2

STEP 36

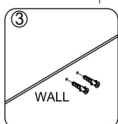
1. One side of the anti-toppling safety belt is installed on the cabinet body
2. The other side of the anti-toppling safety belt is mounted on the wall
3. The seat belt is fastened through both safety buckles and then tightened



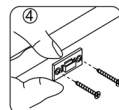
1. make mark on the wall



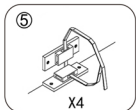
2. drill two Ø6 holes on the wall



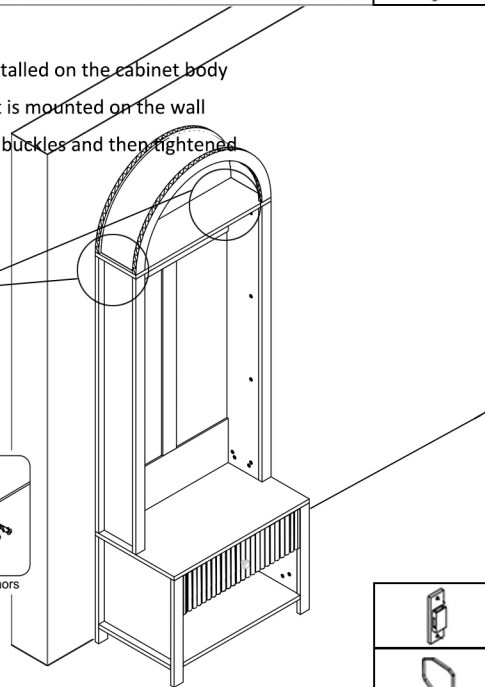
3. put two anchors in the holes



4. fix the device(X1) on the wall by the long screws(X2)



5. Push the cabinet close to the wall so that the two bases are close to each other, and then put on belt (X4) to tighten it.



	X1*2
	X4*2
	X2*4