

# Dining Chair

ASSEMBLY  
INSTRUCTION

---



Dear customer, Thank you very much for buying our items. Please read the assembly instruction carefully before assembly.

## Notices:

- Verify that all parts are present and in good condition before assembly.
- Put the dining chair on a clean flat surface.
- Please tighten the screws to about 80% for the first step; Then, sit with caution on the dining chair to adjust the balance; Finally, tighten all the screws to 100%.
- If you find that is unlevel after assembly, you can use adjustable pegs to keep four legs level.

## Contact us

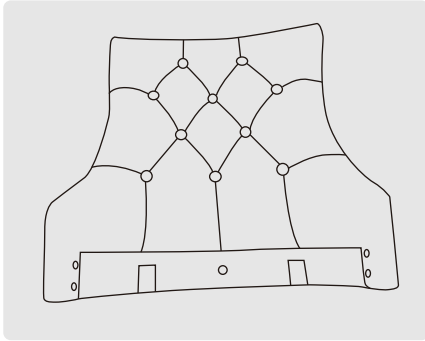
If there are installation problems, damage, missing parts, or any questions and concerns, please contact the shop where you bought it so we can make things right.

If the product is damaged, please send the following information:

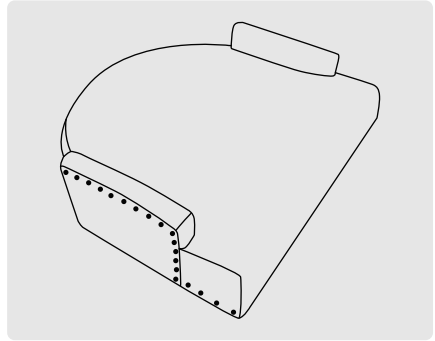
- Photos that show the reason for your claim/damage.
- Photos of the packaging (inside and outside).

Thank you very much for your support!

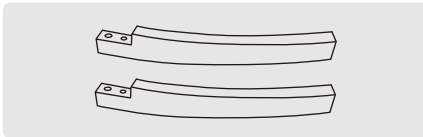
# Package Contents



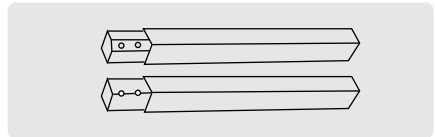
Back



Seat



Back Legs



Front Legs

A × 13



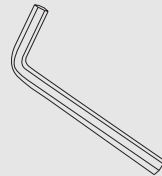
Washer

B × 13



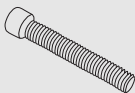
Spring Washer

C × 1



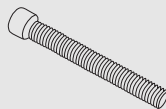
Spanner

D × 9



M8x55mm  
Screws

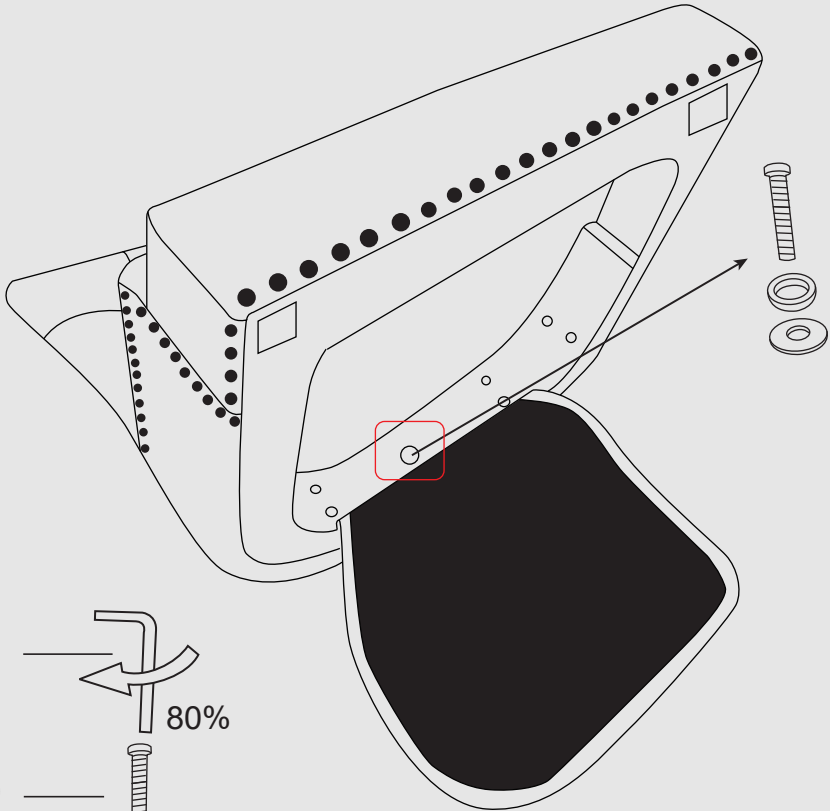
E × 4



M8x60mm  
Screws

## Step by Step Guide

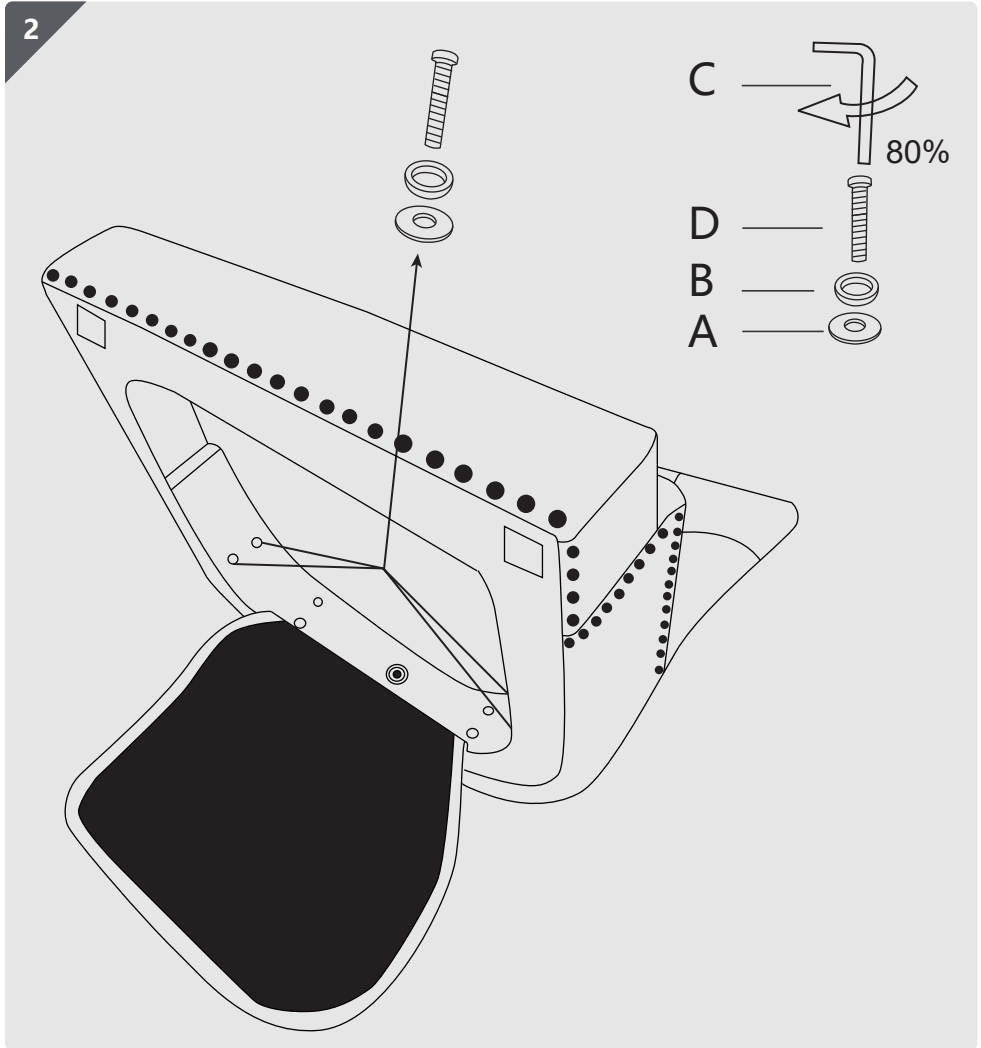
1



Open the fabric cover under the seat.  
Taking the back to align the center holes of the  
seat by using screw (D) with washer (#A, B).

Just tighten them up to 60-80%.

## Step by Step Guide

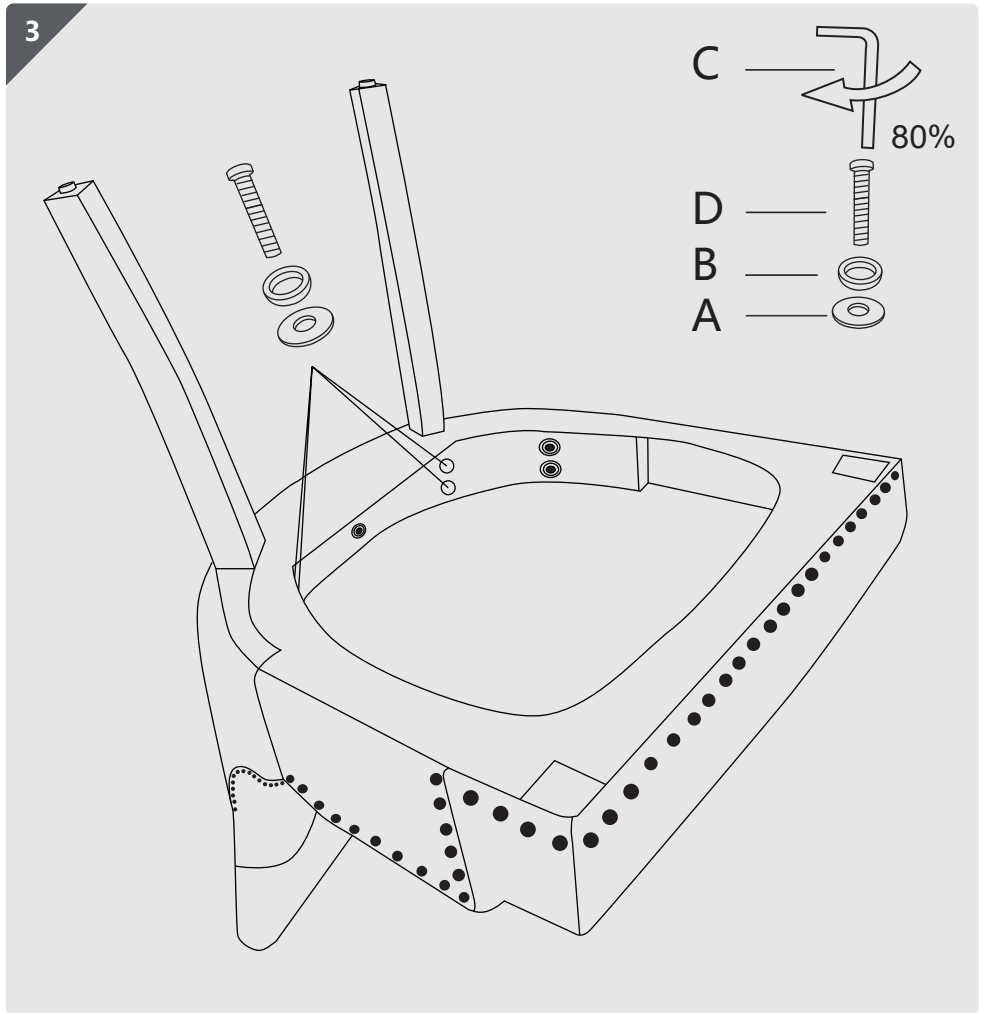


Taking the back to align the corner holes of the seat by using screw (D) with washer (#A, B).

Tighten all 4 screws together at the same time. Just tighten them up to 60-80%.

## Step by Step Guide

3

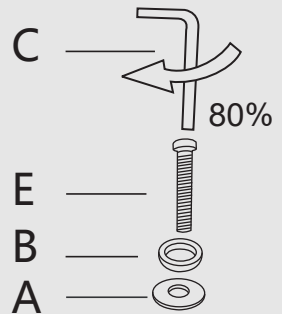
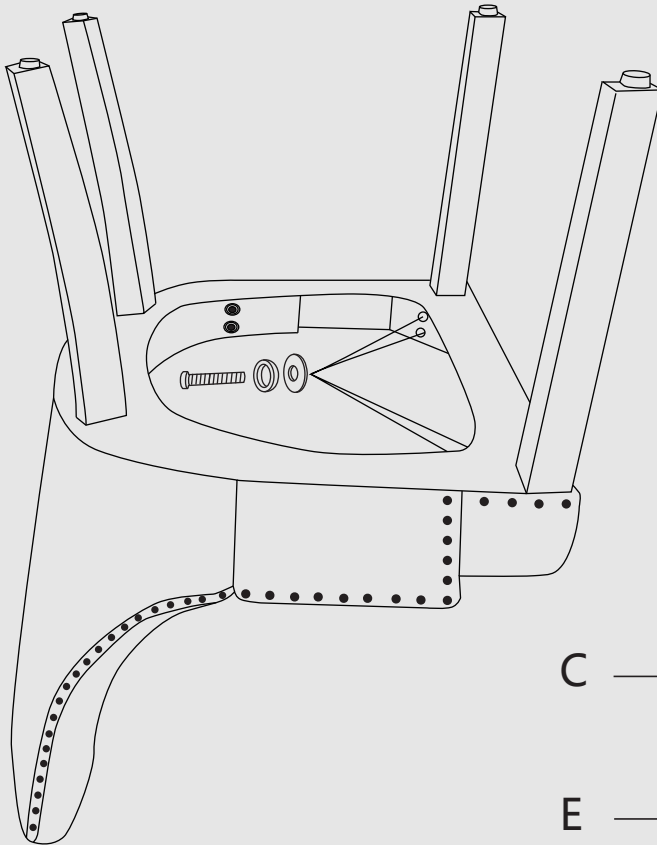


Taking the back to align the corner holes of the seat by using screw(D) with washer (#A, B).

Tighten all 4 screws together at the same time.  
Just tighten them up to 60-80%.

## Step by Step Guide

4

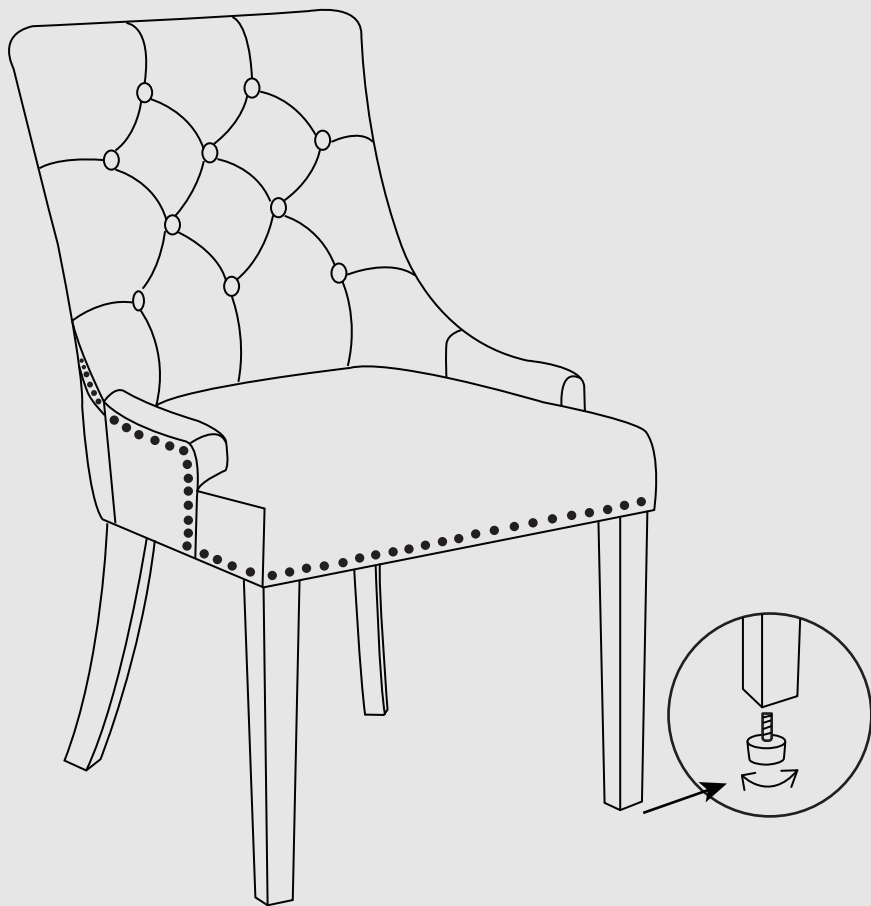


Taking the front leg to align the holes of the seat cushion of the chair by using screw (E) with washers (#A, B).

Tighten All 4 screws together at the same time.  
Just tighten them up to 60-80%.

## Step by Step Guide

5



Sit on the chair, be sure that all 4 feet touch the ground and the chair is leveled.

Tighten all screws up to 100%.  
Check the chair remains level when tightening.

Put the fabric cover back after assembly.