

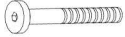




## ASSEMBLY INSTRUCTIONS

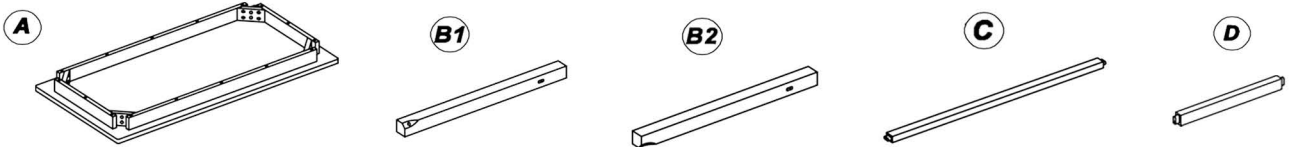
- All required tools are included.
- **Locate and inspect all parts for missing items or damage prior to assembly.**
- Do not dispose of packing materials until assembly is completed.
- Assemble item on a soft, clean surface to prevent damage to the item.
- Proper assembly requires 2 people.

### PART LIST

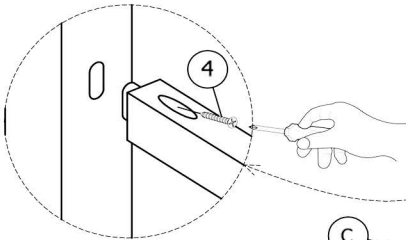
ITEM	DESCRIPTION	Q'TY
A	Table Top	1 pc
B1	Leg	2 pcs
B2	Leg	2 pcs
C	Middle Stretcher	1 pc
D	Side Stretcher	2 pcs

### HARDWARE LIST

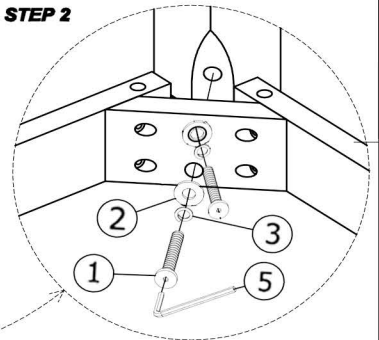
ITEM	DESCRIPTION	Q'TY
1	JCBC Bolts $\varnothing$ 8 x 70 (mm) 	8 pcs
2	Flat Washer $\varnothing$ 8.5 x 19 (mm) 	8 pcs
3	Spring Washer $\varnothing$ 8.5 x 13 (mm) 	8 pcs
4	Wood Screw 4 x 50 (mm) 	6 pcs
5	Allen Wrench 	1 pc



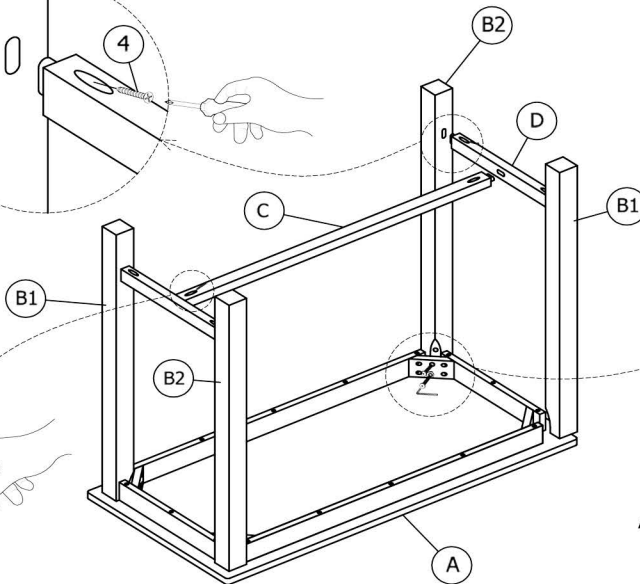
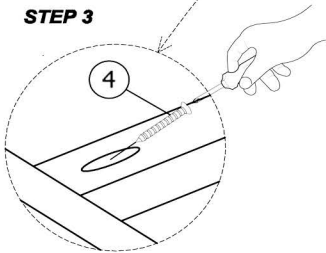
**STEP 1**



**STEP 2**



**STEP 3**



**ASSEMBLY COMPLETE**

