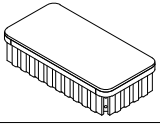
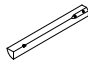
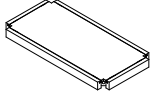






# ASSEMBLY INSTRUCTION

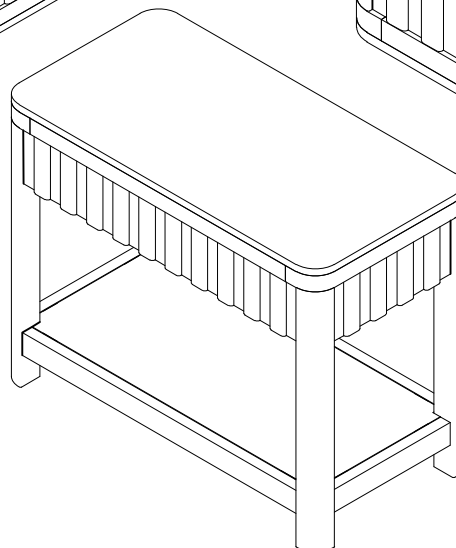
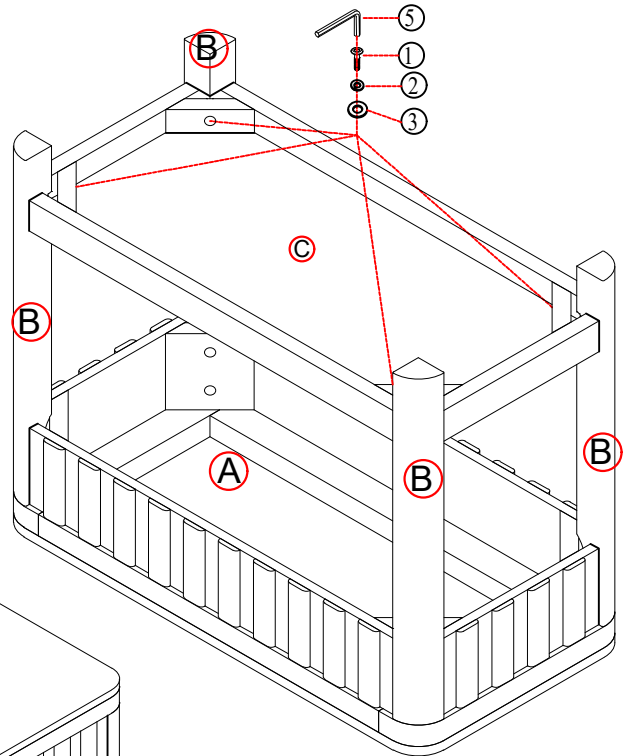
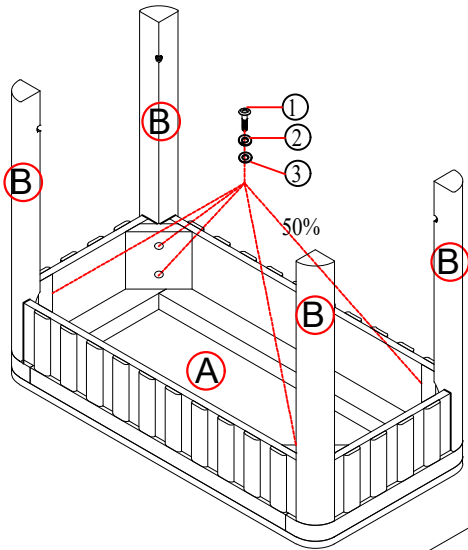
Thank you for purchasing this quality product. Be sure to check all packing material carefully for small parts which may have come loose inside the carton during shipment. Separate, identify and count all parts and metal hardware. Compare with parts list to be sure all parts are present. If any part(s) are missing or damaged, please contact your local furniture dealer. For efficient and speedy service, please indicate the model number and code letter of part(s) needed.

\*\*\* Do not fully tighten screws until fully assembled \*\*\*

No.	COMPONENT LIST		Q'ty	No.	COMPONENT LIST		Q'ty
Ⓐ		TABLE TOP	1pc	Ⓑ		LEG	4pcs
Ⓒ		SHELF	1pc				
No.	HARDWARE LIST		Q'ty	No.	HARDWARE LIST		Q'ty
①		Bolts 5/16"x2"	12	②		Spring washers Ø5/16"x 1/2"	12
③		Flat washers Ø5/16"x 3/4"	12	④		Allen key K4	1

**Step 1:** Align and place leg (B) connect with Table Top (A), Then use Bolts (1), Spring Washer (2) and Flat washer (3). Do not tighten all bolts.

**Step 2:** Align and place Shelf (C) with Leg (B). Use Bolts (1), Spring Washer (2) and Flat washer (3). Fully tighten all bolts.



FINISH .  
THANK YOU !