

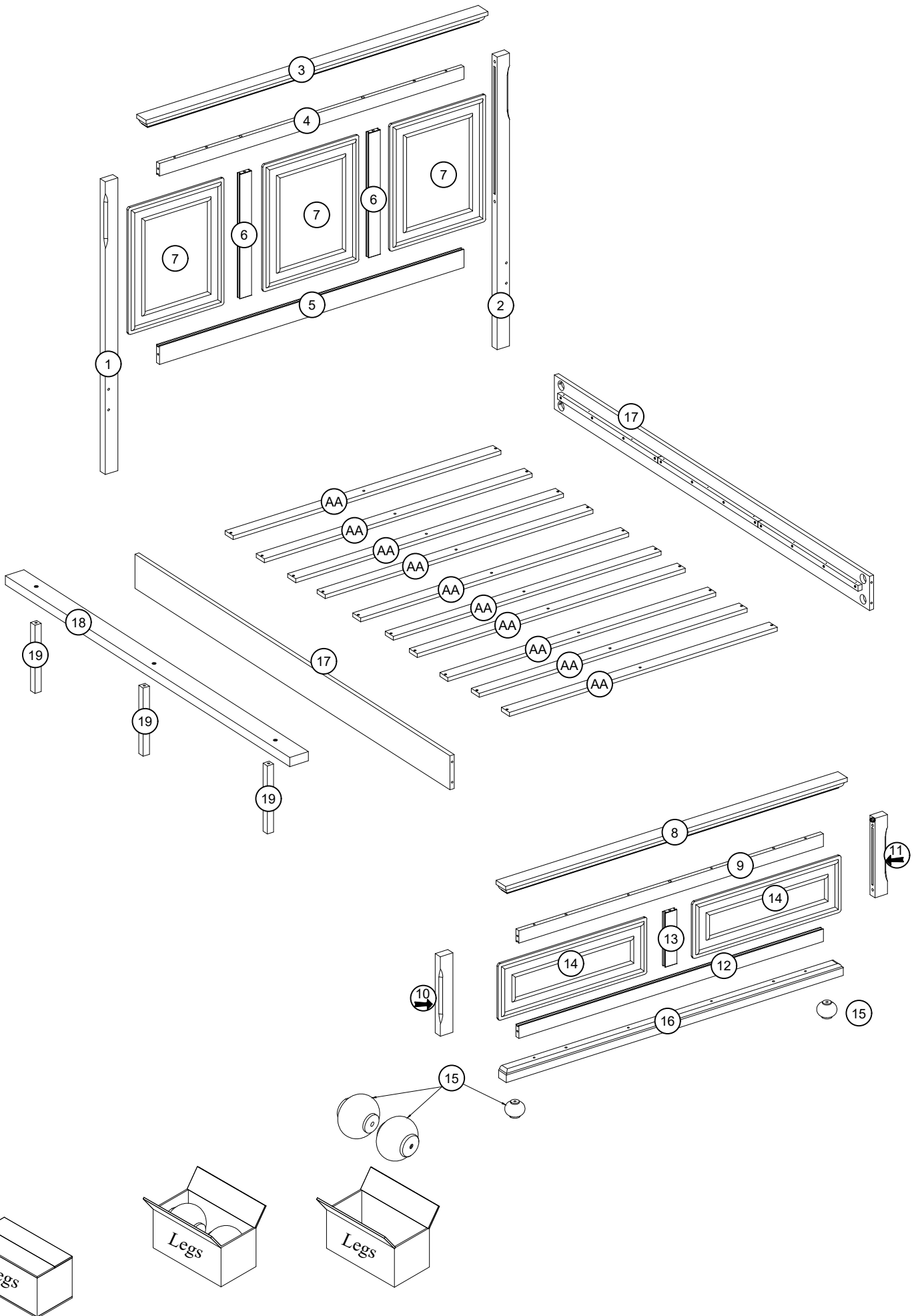
ASSEMBLY INSTRUCTIONS

QUEN BED








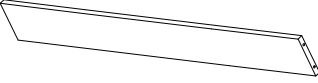
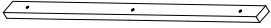
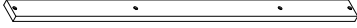


This set is included 2 boxes if don't receive full 2 boxes please contact our customer service team.




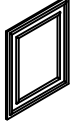

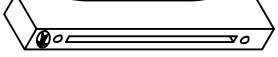

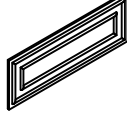

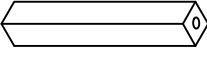
Detail View












Part List :

3  Bed Head Cover -1pc	4  Upper Horizontal Bar-1pc	5  Lower Horizontal Bar-1pc
8  Bed Head Cover -1pc	9  Upper Horizontal Bar-1pc	12  Lower Horizontal Bar-1pc
16  Bottom Bar-1pc	17  Shoulder Bed left-2pcs	18  Flap support bar -1pc
AA  Slat-10pcs		

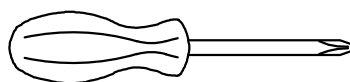
Part List :

1  Left Hind Leg-1pc	2  Right Hind Leg-1pc	6  High Headed Quiz-2pcs
7  High Headboard-3pcs	10  Left Fore Leg-1pc	11  Right Forefoot-1pc
13  Short Standing Quiz-1pc	14  Bed Endboard-2pcs	15  Low Head Legs-2pcs
19  Father's Foot-6pcs		

Hardware List

A  Ø 10 x 30mm Wood dowel =6pcs	B  Ø1/4" x 85mm Hex-Head bolt=2pcs	C  Ø1/4" x 75mm Hex-Head bolt=2pcs
D  Ø1/4" x 60mm Hex-Head bolt=15pcs	E  Ø1/4" x 40mm Hex-Head bolt =16pcs	F  Ø1/4" x 25mm Metal Crescent Washer=3pcs
G  Flat washers =16pcs	H  #4 x 25mm Screw=30pcs	I  K4mm Allen key (1pc)

ASSEMBLY TOOLS REQUIRED (NOT INCLUDED)



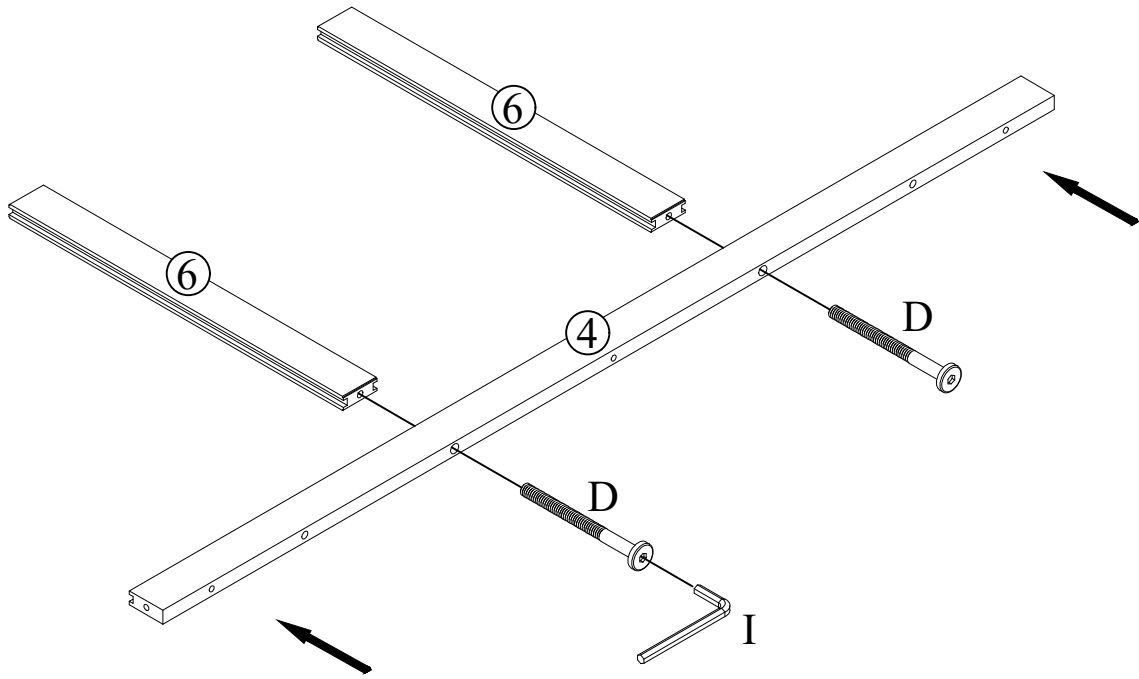
PLEASE BE CAREFUL DO NOT DAMAGE THE HOLE POSITION WHEN YOU USE POWER TOOLS !

STEP 1:

D



2PCS



STEP 2:

A

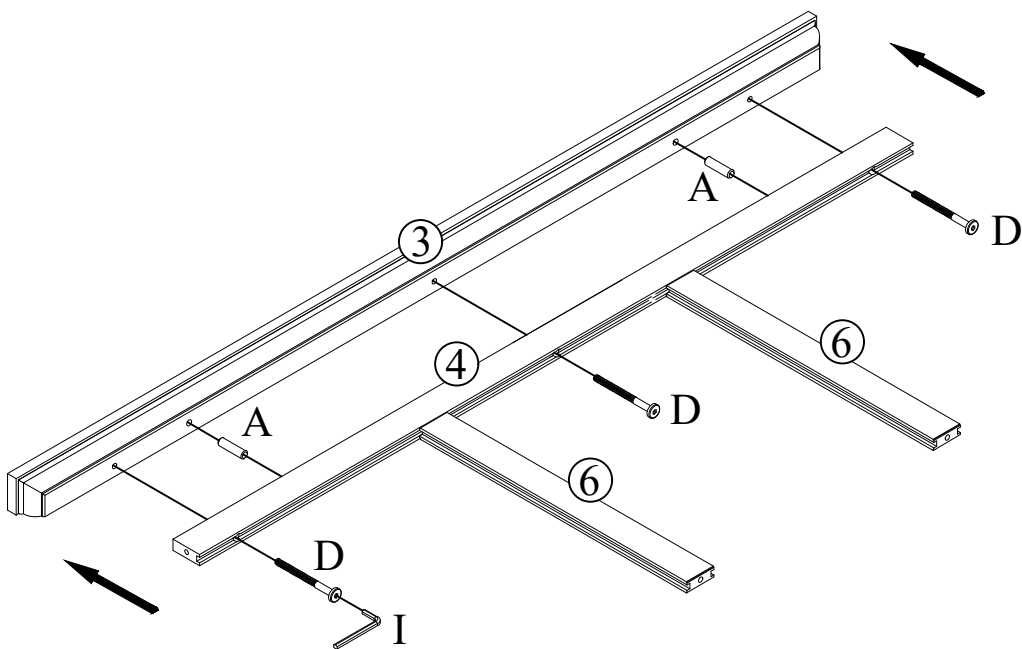


2PCS

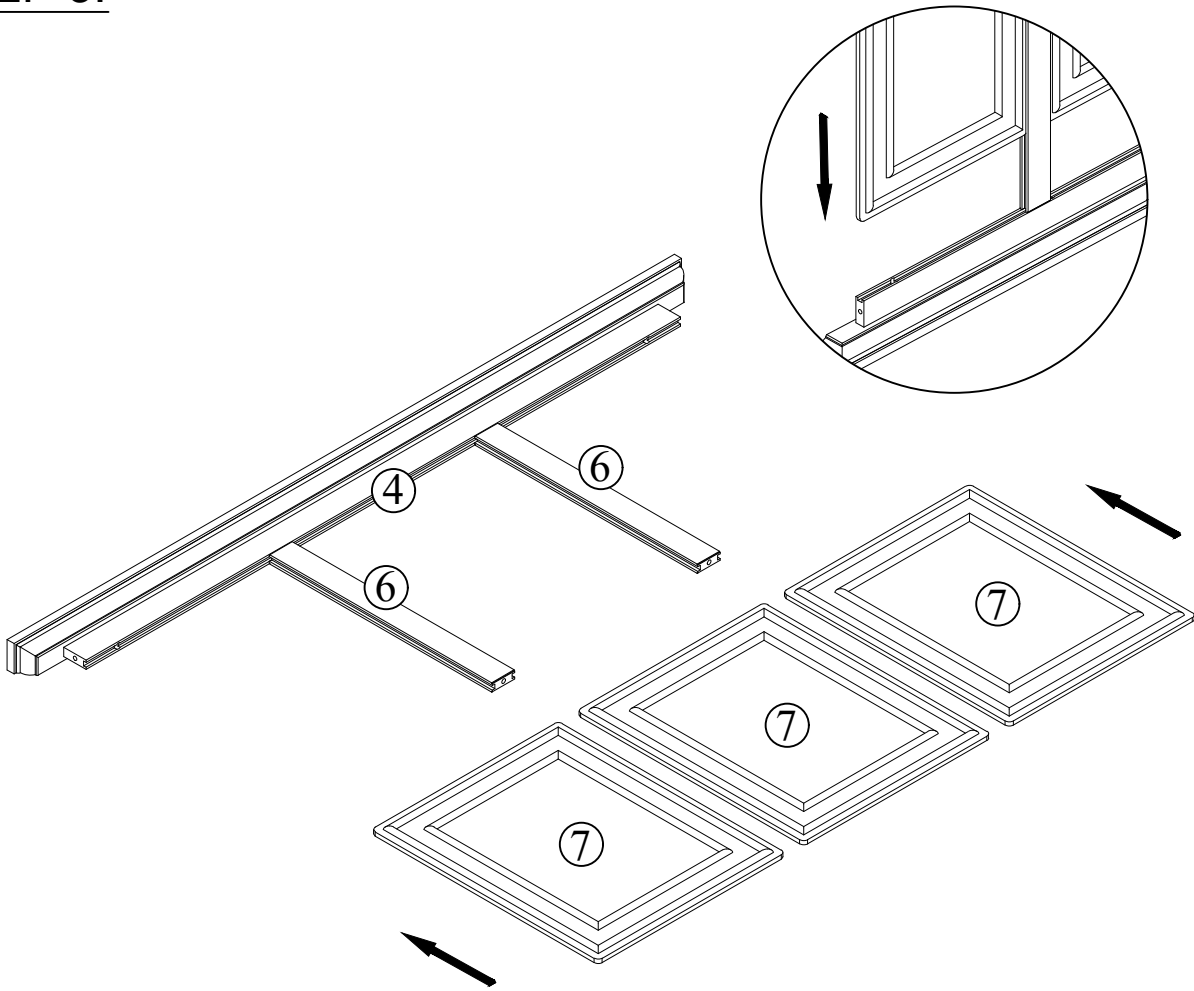
D



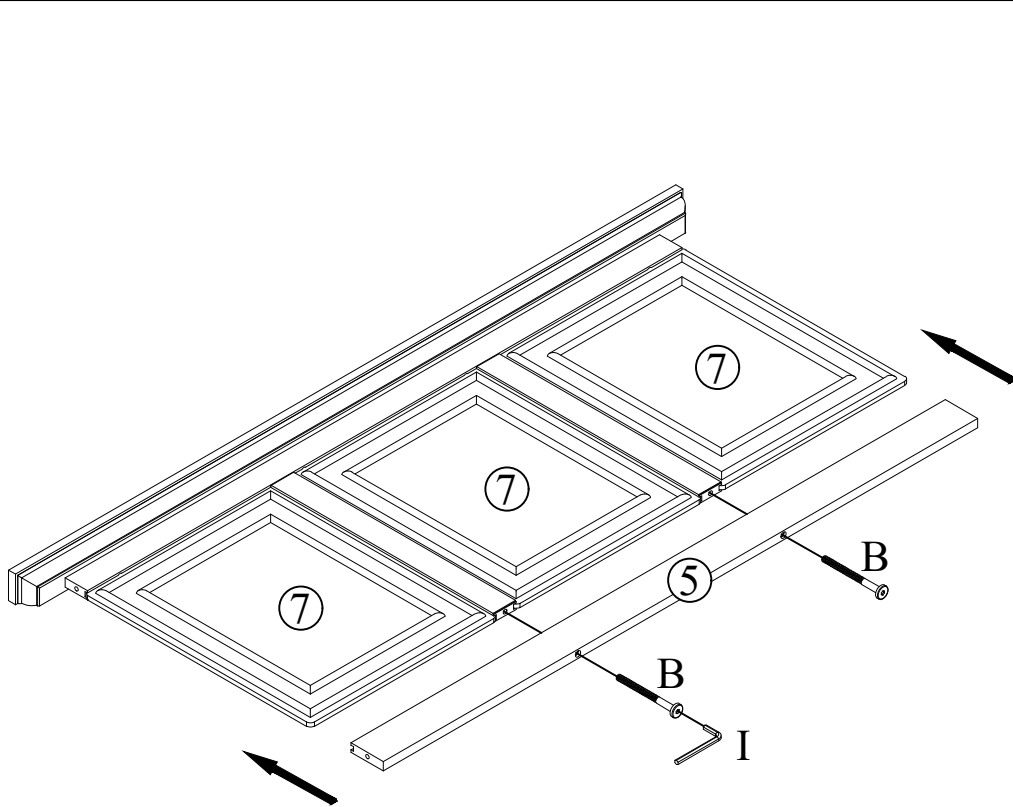
3PCS



STEP 3:



STEP 4:





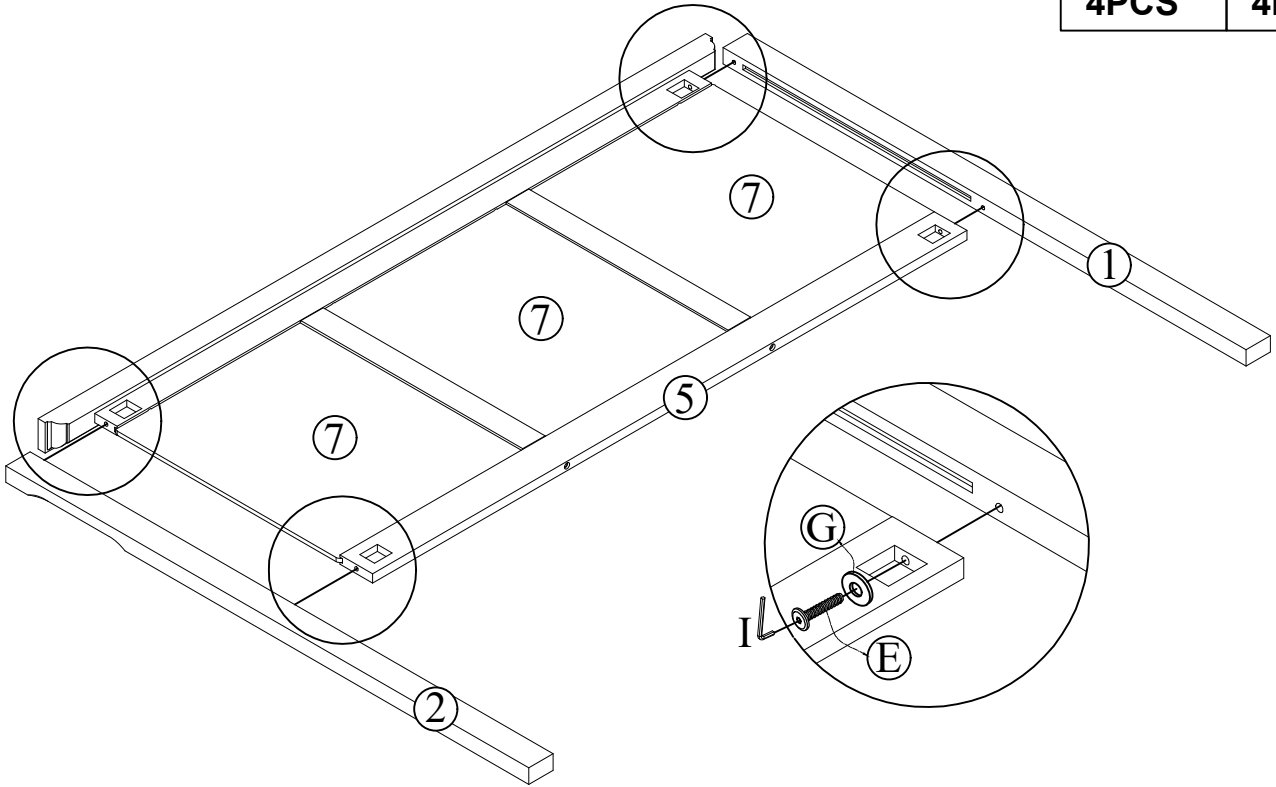
B




2PCS

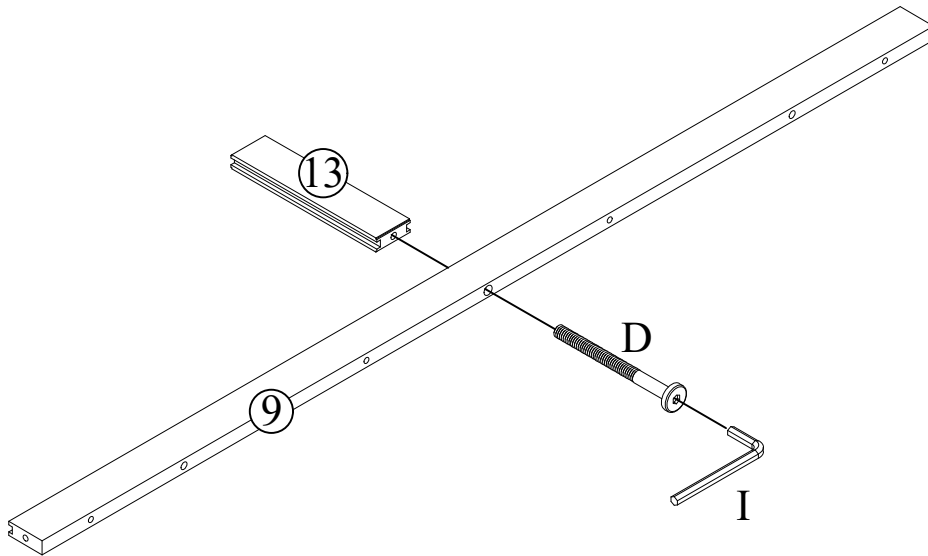
STEP 4:

G	E
	
4PCS	4PCS





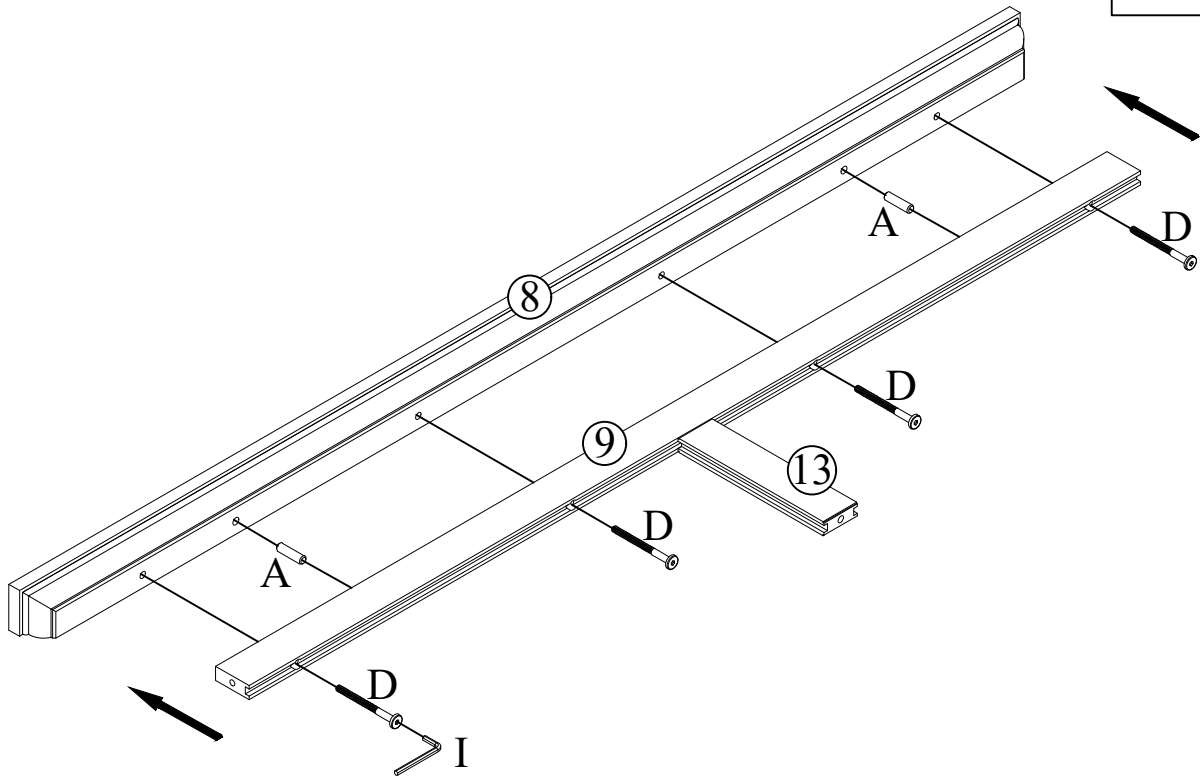
STEP 5:

D

1PC

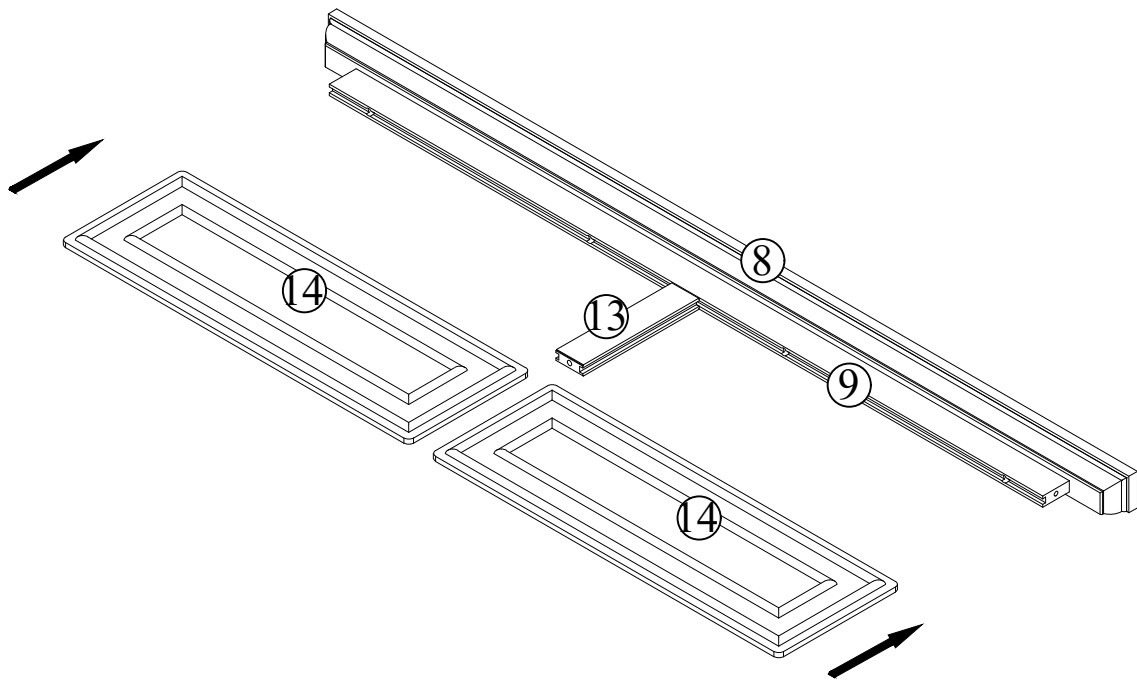


STEP 6:

A	D
	
2PCS	4PCS



STEP 7:

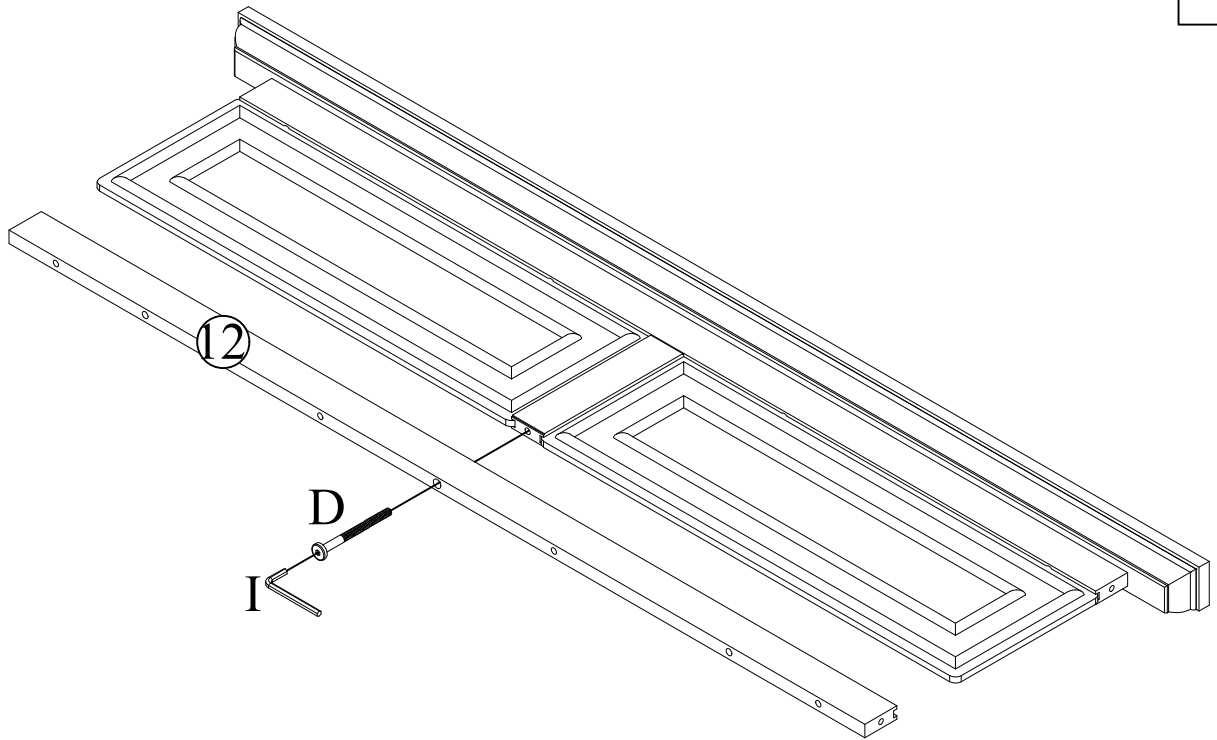


STEP 8:

D



1PC



STEP 9:

G

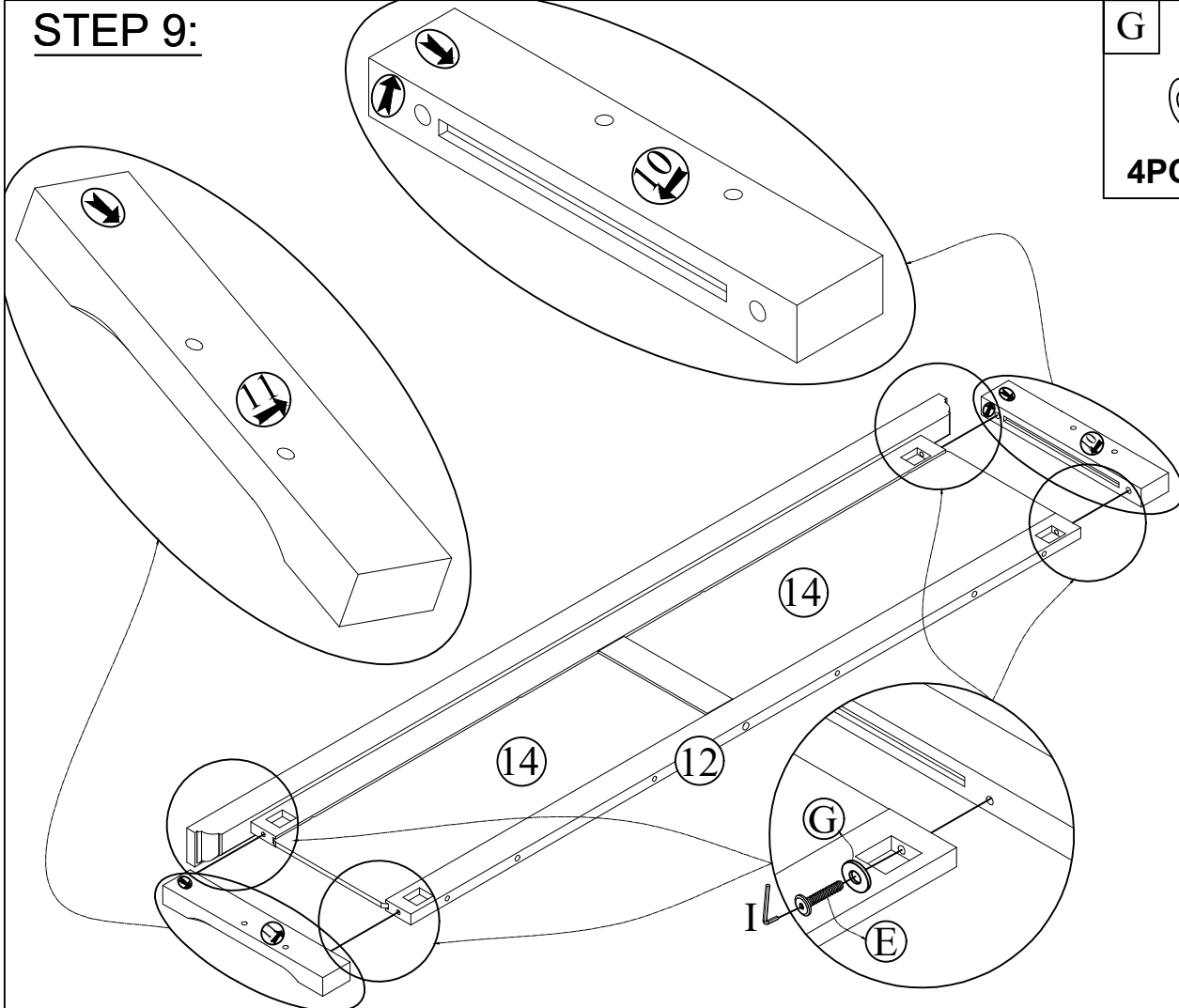


4PCS



E

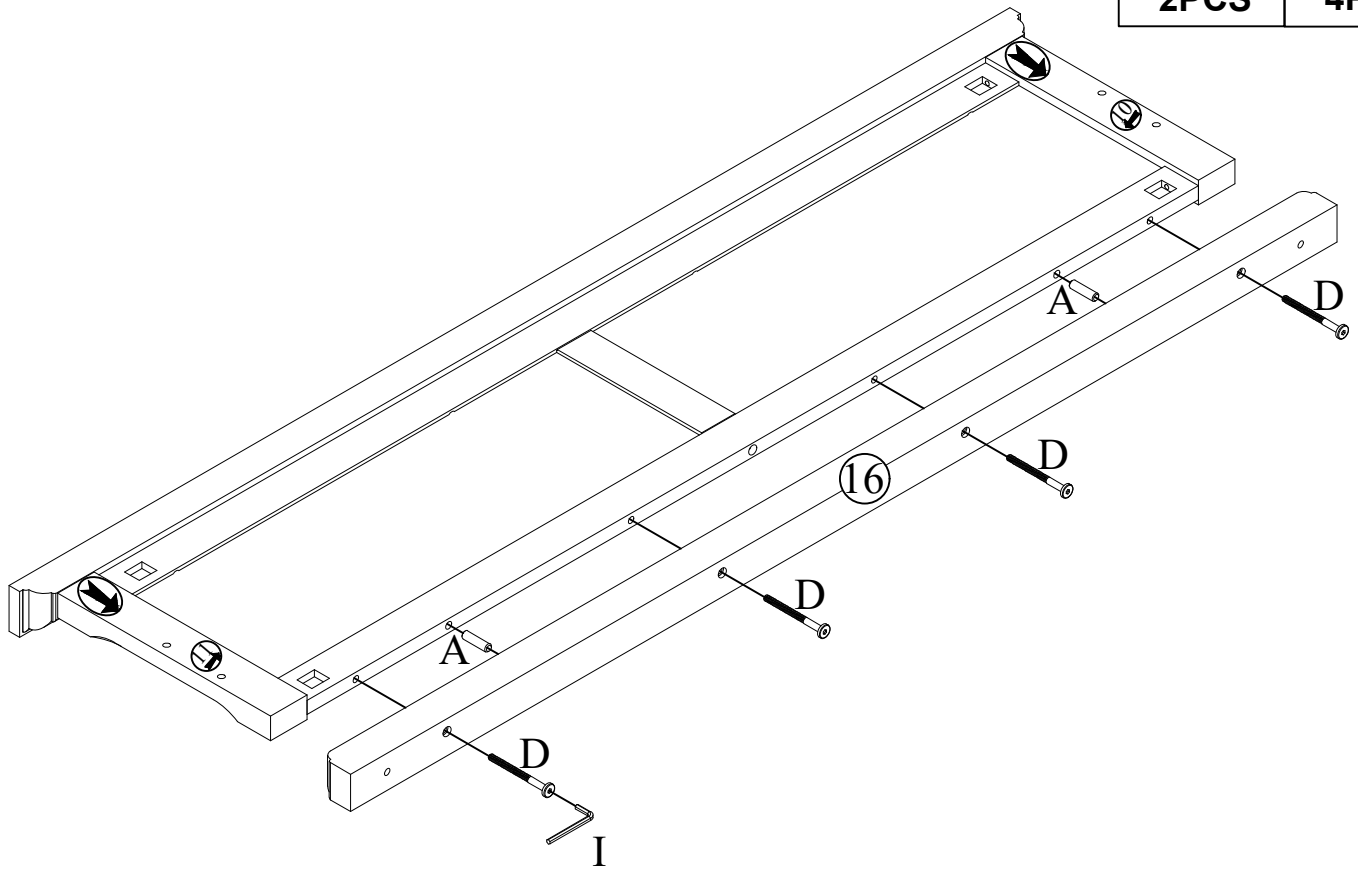


4PCS




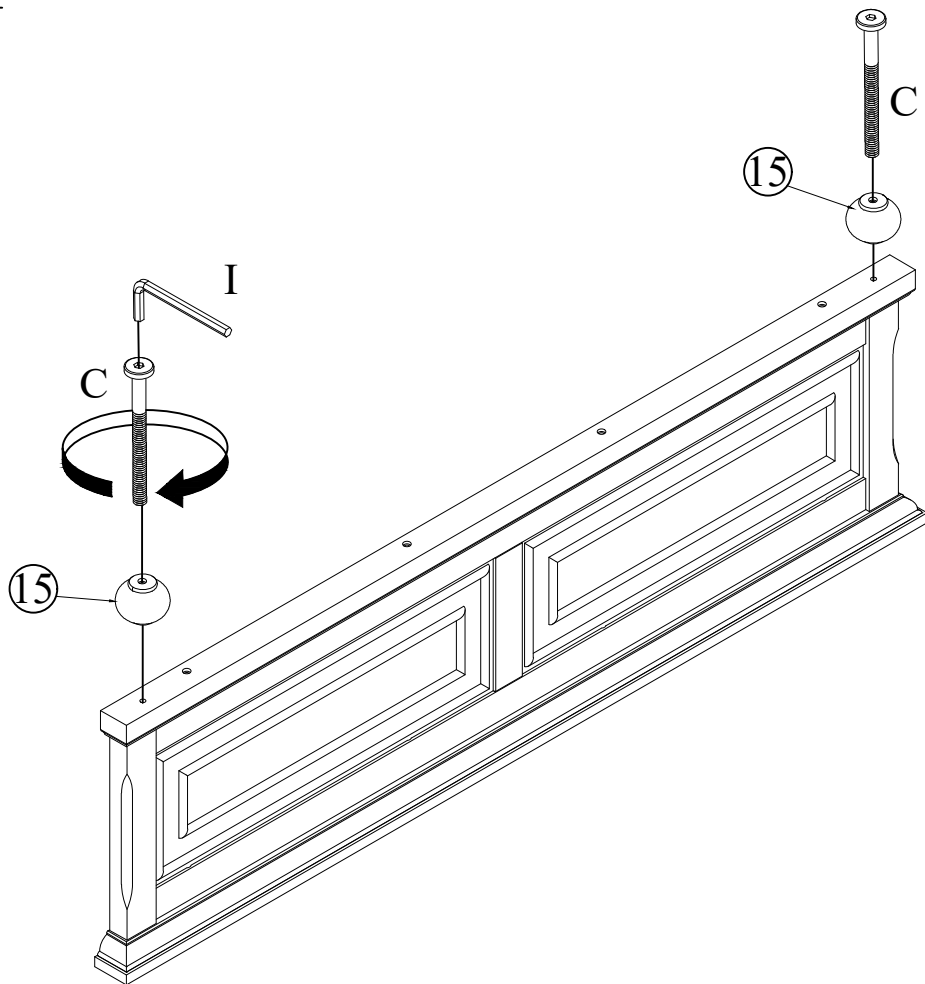
STEP 10:

A	D
	
2PCS	4PCS

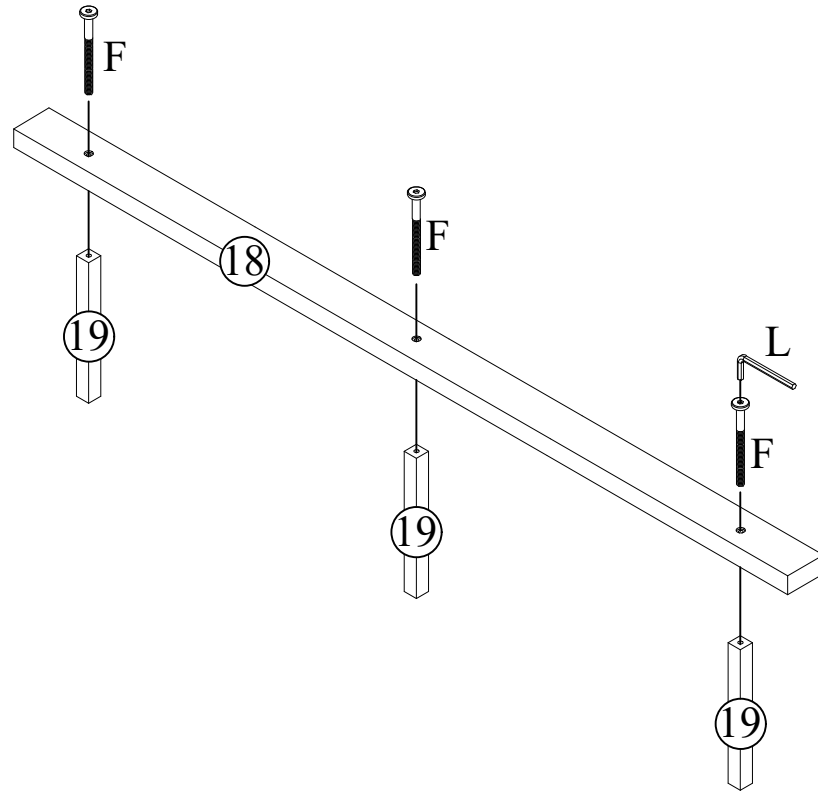


STEP 11:

C

2PCS



STEP 12:

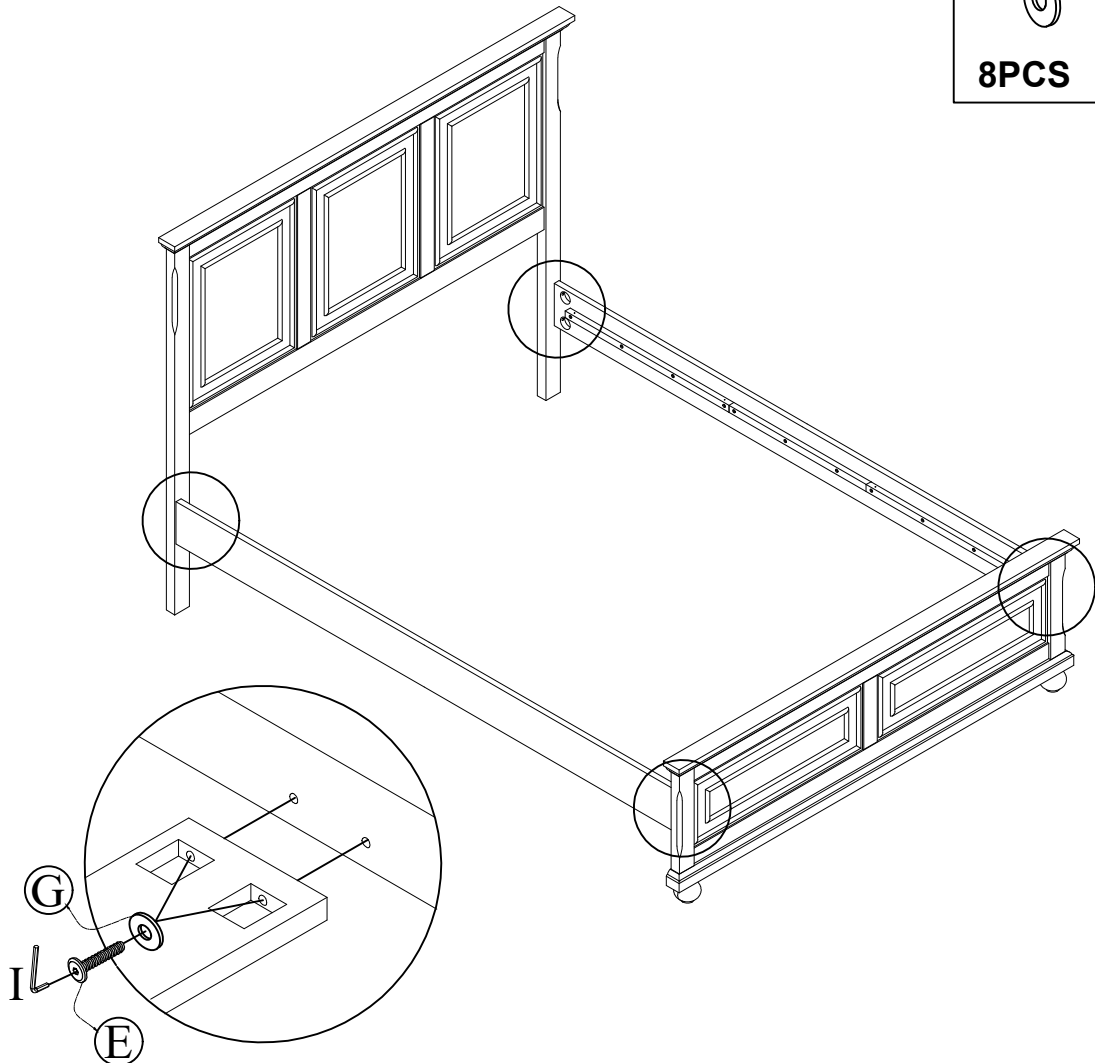


F



3PCS

STEP 13:



G



8PCS

E



8PCS

STEP 14:

H



30PCS

