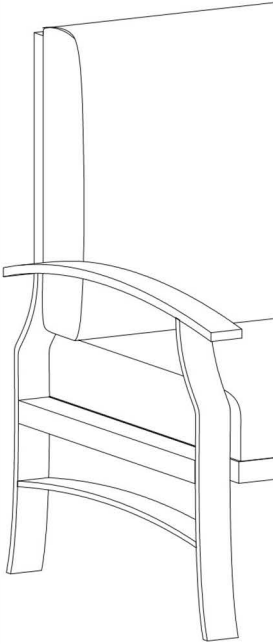


# Owner Manual



# WARRANTY

We strive to offer high quality product and we also try our best to satisfy each customer that order from us, no matter on products or services as needed. Each customer receives a record of their order, such as the order number or item receipt. For any items that are out of warranty period, you may still be able to purchase the replacement parts from our company if they are available.



# MAINTENANCE AND WARNING

Please read the manual thoroughly  
before you start installing.

Please keep the product away from  
sharp object.

Packaging and small parts may have  
chocking hazard, please keep them away  
from children and pets.

Please clean the product according to each  
clean code, check the product description  
for more information.

Please keep the product away from  
fire.

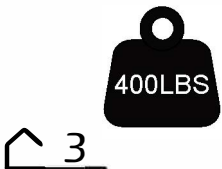
If you have any other questions, please  
contact us, we will be glad to help you out.

If the product is placed under direct  
sunlight, the pattern or color might fade  
away overtime.

Check the product periodically to make  
sure everything is secured and tightened.


Always use proper tools for installation.

Do not jump on the product.



Around 45 min

# PRODUCT DESCRIPTION



This classic outdoor coffee table brings some elegance to your patio or garden.

The table features a rectangular top made from weathered steel-inspired plastic resin, and it sits on a black and brown powder-coated steel base, ensuring its resistance to weather, water, UV rays, rust, and scratches.

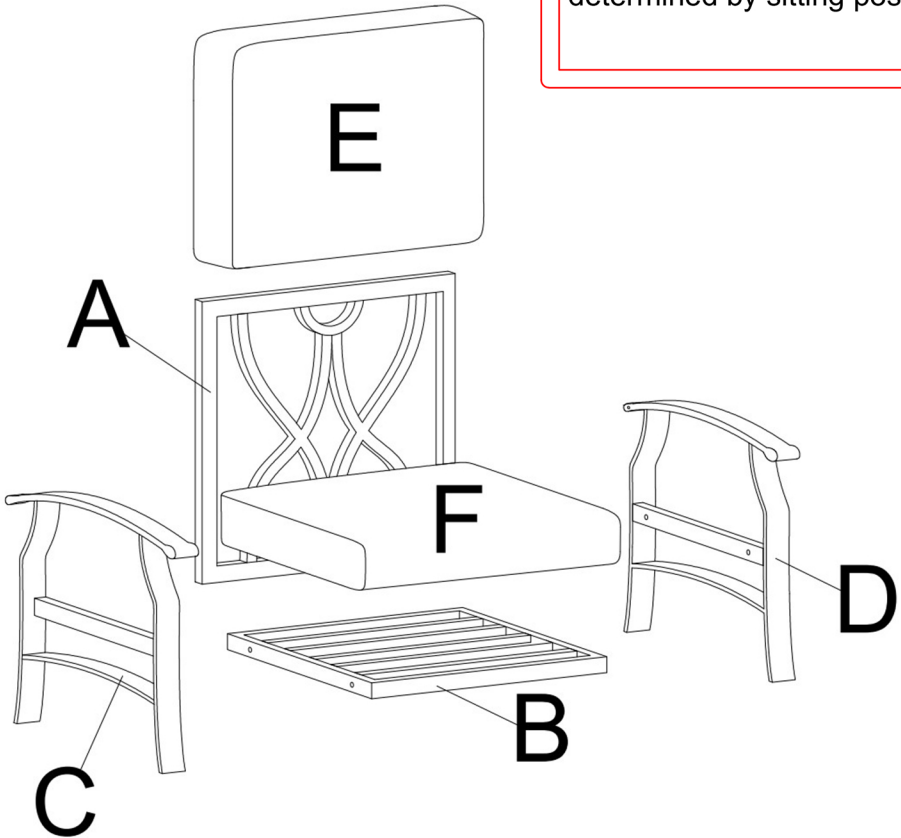
With its 100 lbs. weight capacity, this table is perfect for holding your favorite drinks, snacks, and outdoor accessories.

This coffee table adds a timeless touch to your outdoor space without compromising on functionality.

# EXPLODED VIEW

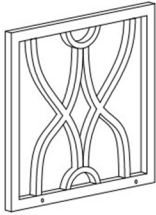


The product's left and right are determined by sitting posture



# PARTS

A\*2



Backrest

B\*2



Seat frame

C\*2



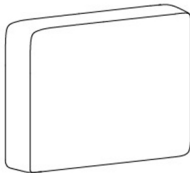
Right arm

D\*2



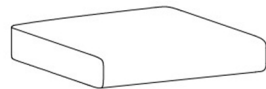
Left arm

E\*2



Back cushion

F\*2



Seat cushion

# HARDWARE

## TOOL LIST

NOTE: Designated with (★) We provide additional spare parts in the hardware package

①\*4



★ M6X40mm  
Bolt

②\*12



★ M6X30mm  
Bolt

③\*16



★ Flat washer

④\*1

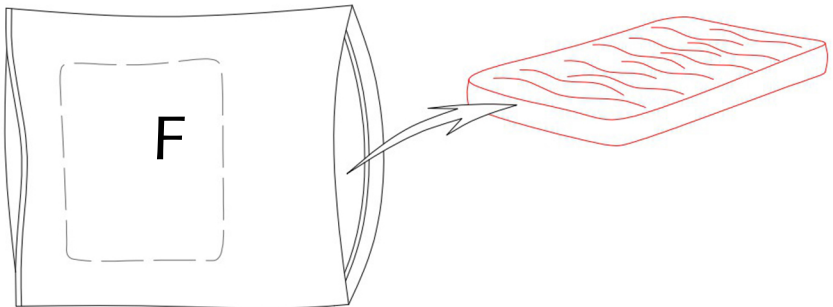
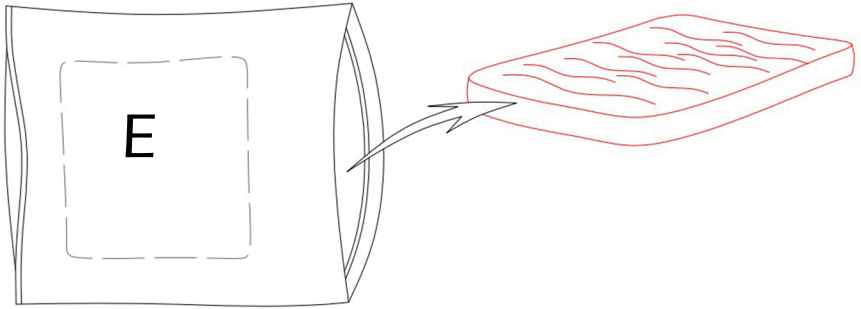


Allen key

Please make sure all hardware&packing material fitting the list.  
Especially some small accessories may be missing during transportation. Please contact us if you have any question.

# step 1

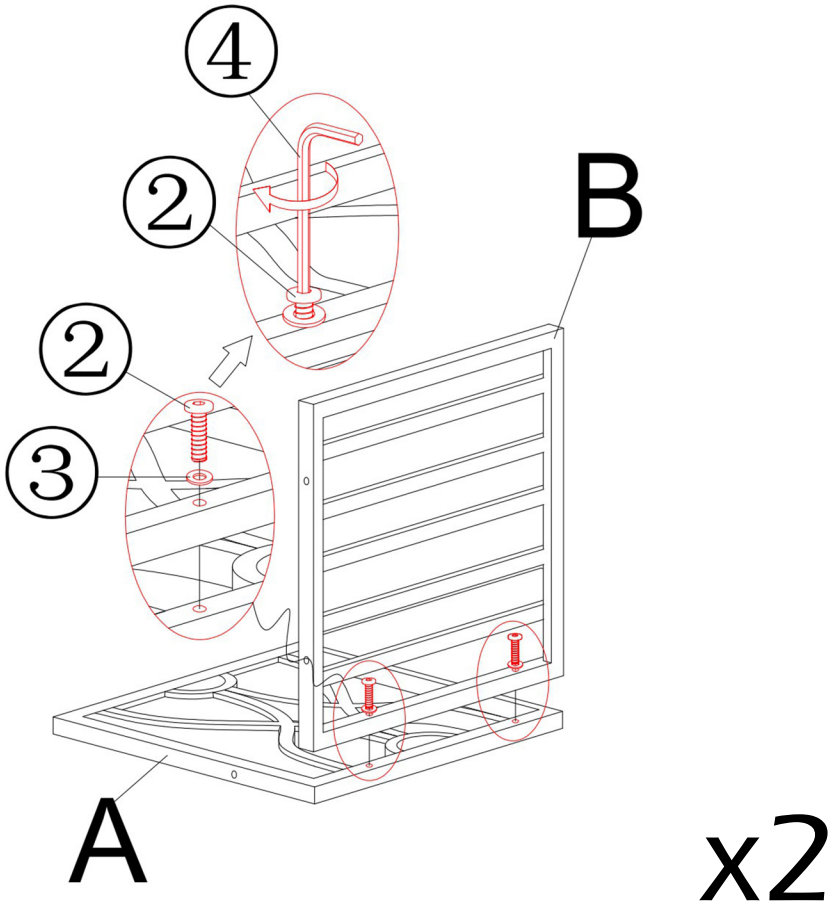
Take out the cushions (E& F) from the compression bags, and allow it to recover to its original shape, it might take up to 24 hours to be fully recovered, you may gently slap on them to speed up the process.



X2

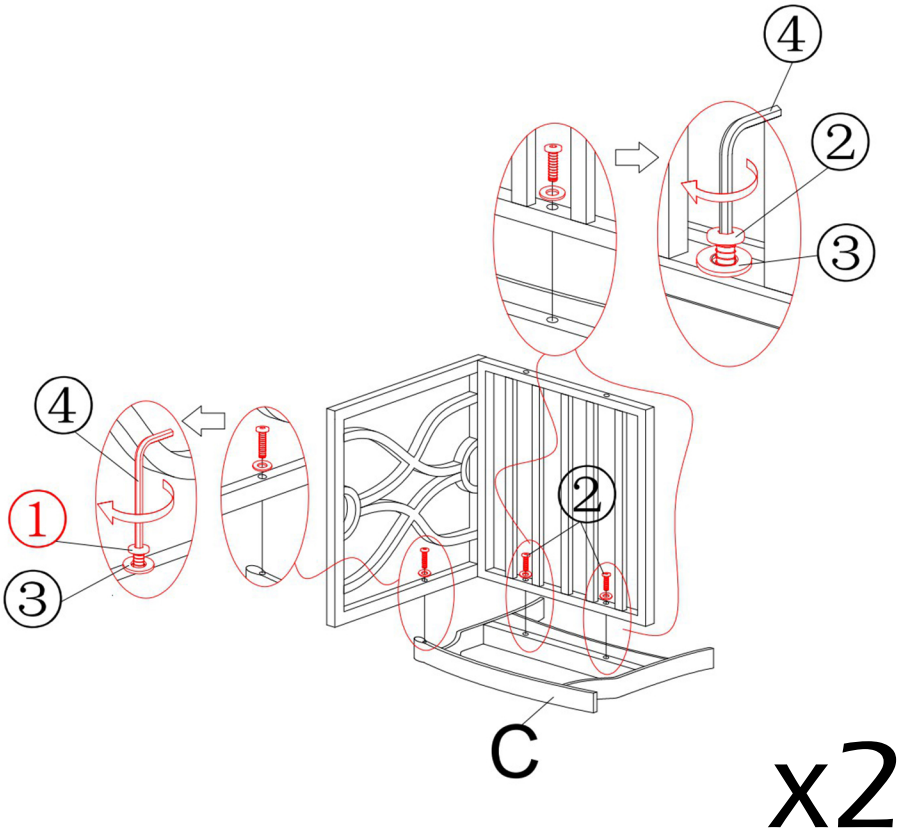
# step 2

Connect the seat frame (B) with the backrest (A) as shown. add one washer (3) on each bolt (2) as shown, then align the bolt holes on both seat frame (B) and backrest (A), then use the allen wrench (4) provided to tighten all bolts by 30%-50% at first, ensuring that all bolts are aligned correctly before tightening all bolts.



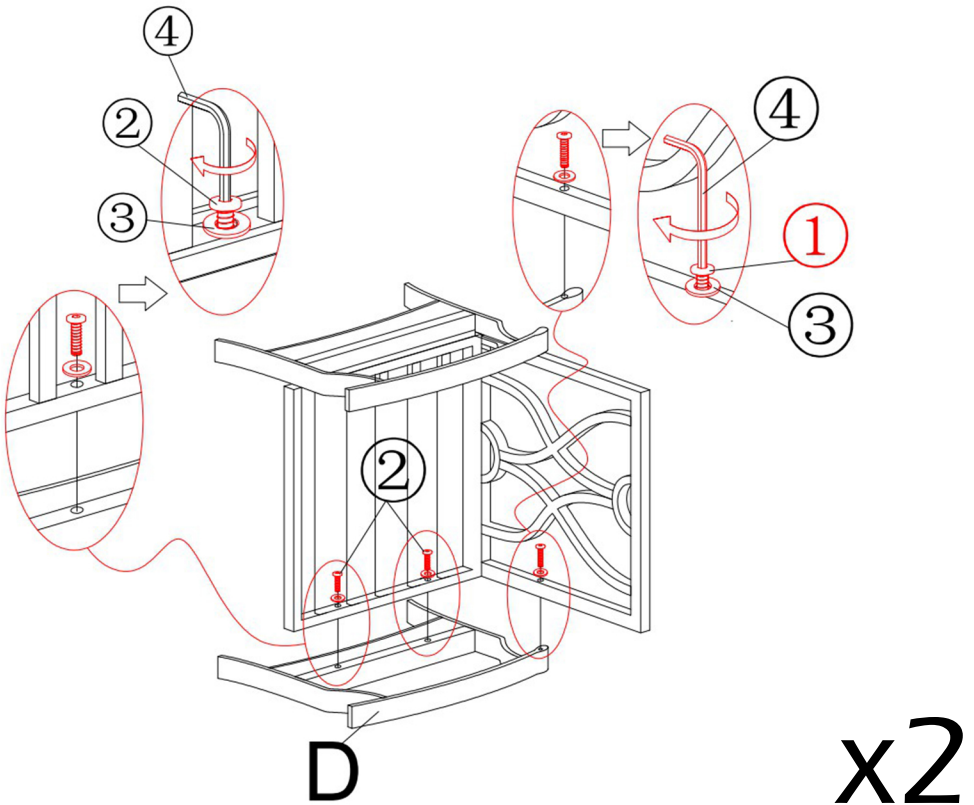
# step 3

Install the right arm (C) onto the seat frame (A & B) as shown. Add one flat washer (3) on each bolt (1&2) as shown, then align the bolt (1) holes on both backrest and armrest, align the bolt (2) holes on both seat frame and armrest, then use the allen wrench (4) to tighten all bolts by 30%-50% at first, ensuring that all bolts are aligned correctly before tightening all bolts. There are two bolts (2) used on seat frame, and one bolt (1) used on backrest.



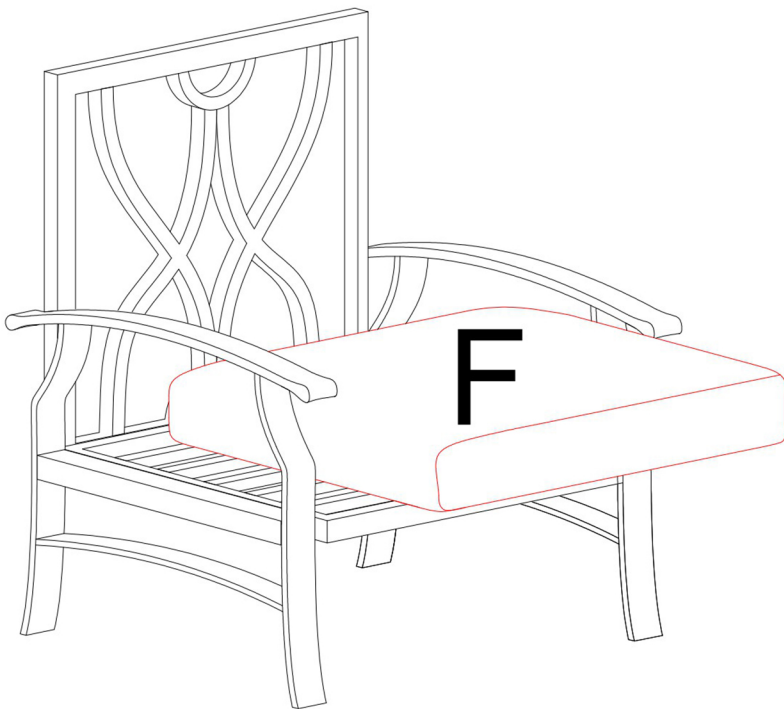
# step 4

Install the left arm (D) onto the seat frame (A & B) as shown. Add one flat washer (3) on each bolt (1&2) as shown, then align the bolt (1) holes on both backrest and armrest, align the bolt (2) holes on both seat frame and armrest, then use the allen wrench (4) to tighten all bolts by 30%-50% at first, ensuring that all bolts are aligned correctly before tightening all bolts. There are two bolts (2) used on seat frame, and one bolt (1) used on backrest.



# step 5

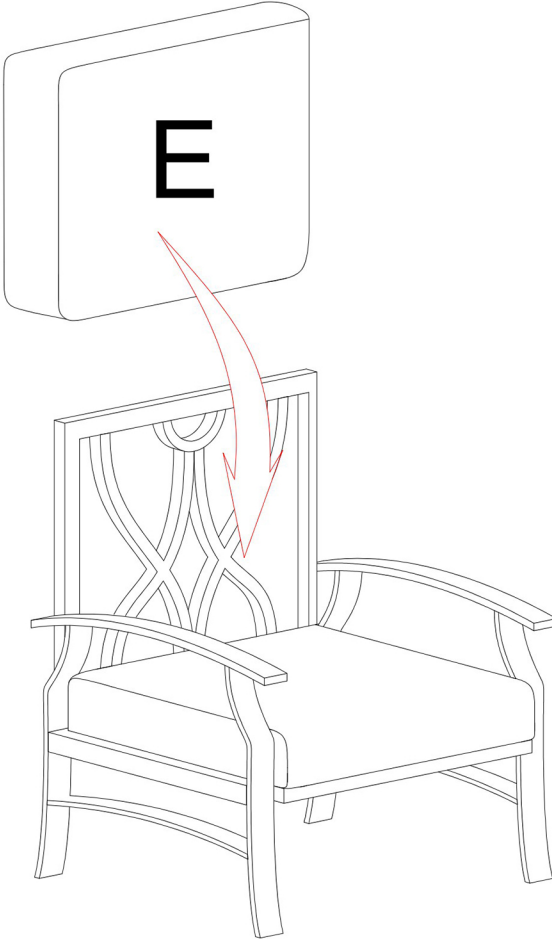
Place the seat cushion (F) onto the chair.



x2

# step 6

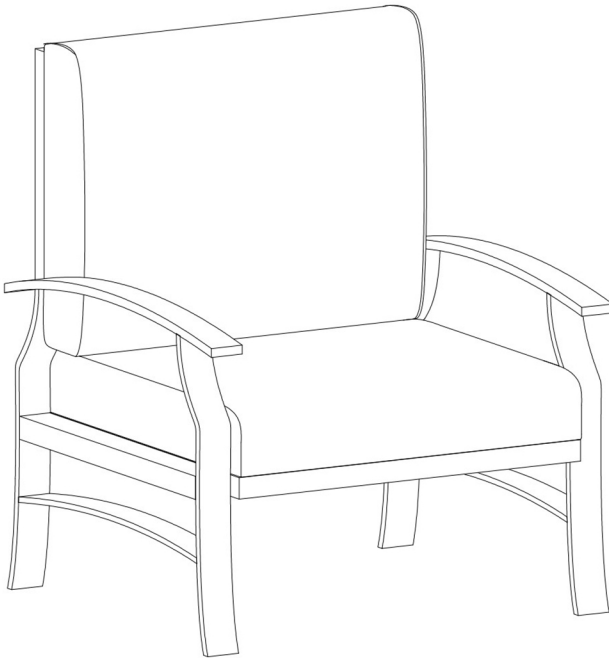
Place the back cushion (E) onto the chair.



x2

# step 7

The assembly is completed,thank you for choosing our product ,please enjoy!



x2

ITEM NO. OD1002-ARMCHAIR-3ST

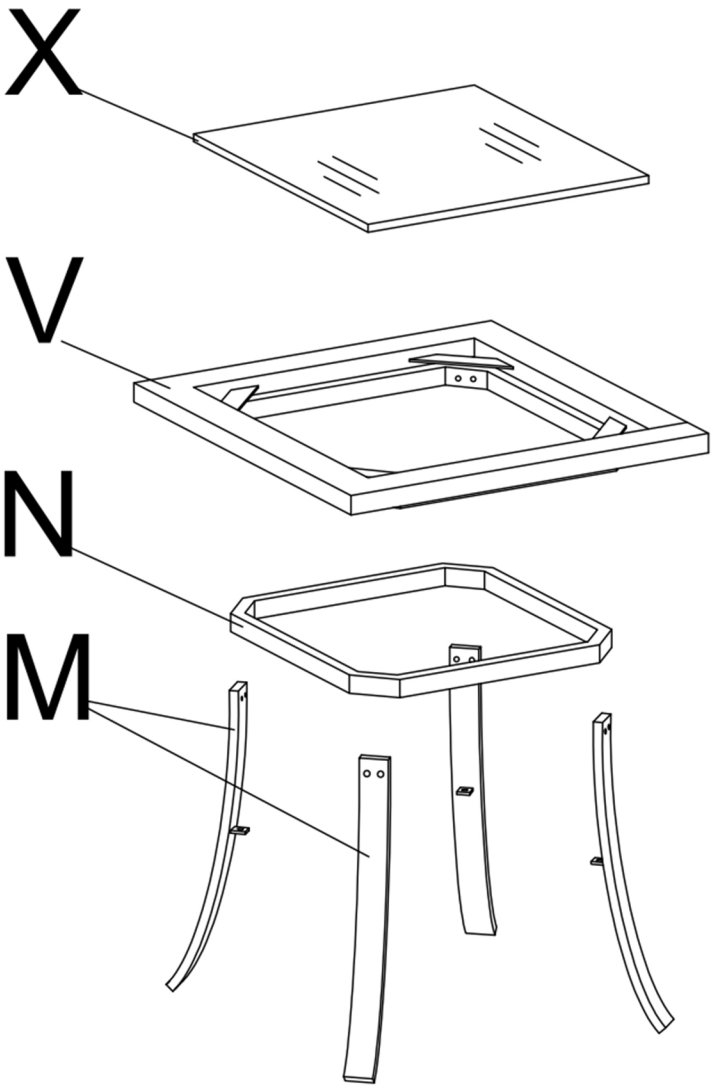
# WARRANTY

We strive to offer high-quality product and we also try our best to satisfy each customer that orders from us with product or service as needed. Each customer receives a record of their order, such as the order number or item receipt. For any items that are out of the warranty period, you may still receive replacement parts by purchasing them from our company if they are available.

Are you having difficulty  
with assembly? Missing parts?  
Please contact us : [info@firstopintl.com](mailto:info@firstopintl.com)  
Tel.5627813327

send an email with your order No. to us  
For return, please check the return policy with  
the retailer or market place you bought from.  
Appreciate your purchasing from us.  
Pop up your life by our furniture !

# EXPLODED VIEW



# PARTS

V\*1

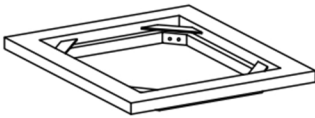
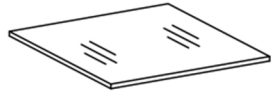


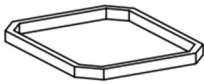
Table frame

X\*1



Tabletop

N\*1



iron frame

M\*4



Legs

# HARDWARE

## TOOL LIST

NOTE: Designated with (★) We provide additional spare parts in the hardware package

⑤\*8



M6\*25mm

⑥\*4



M6\*15mm

③\*12



Flat washer

④\*1

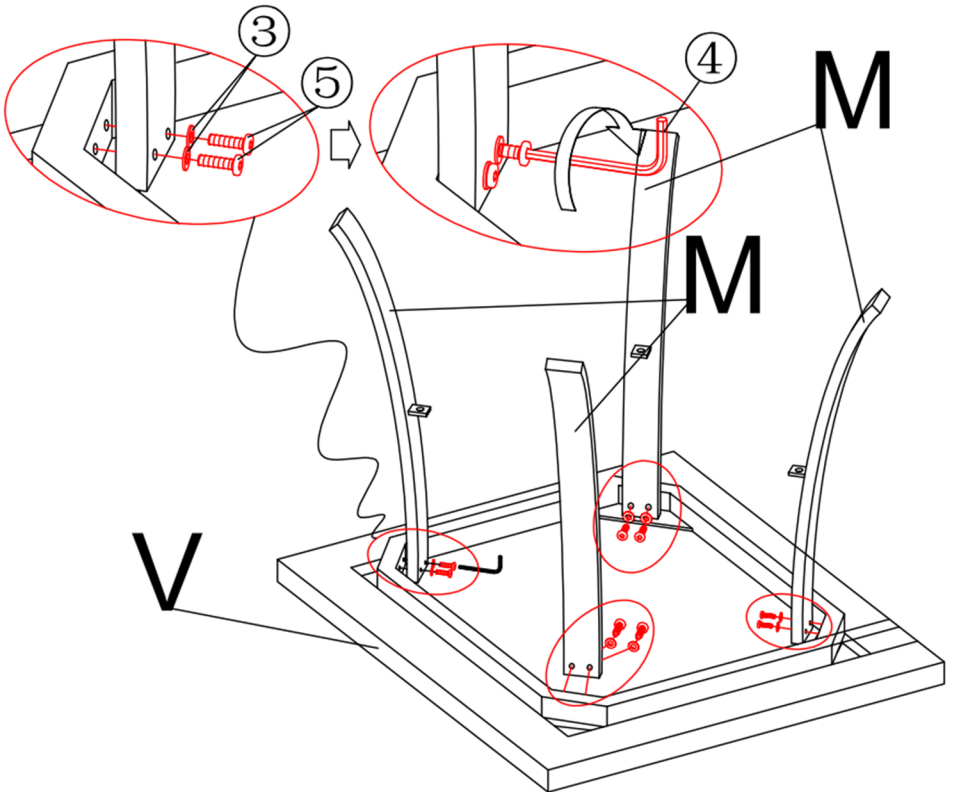


Allen key

Please make sure all hardware&packing material fitting the list. Especially some small accessories may be missing during transportation. Please contact us if you have any question.

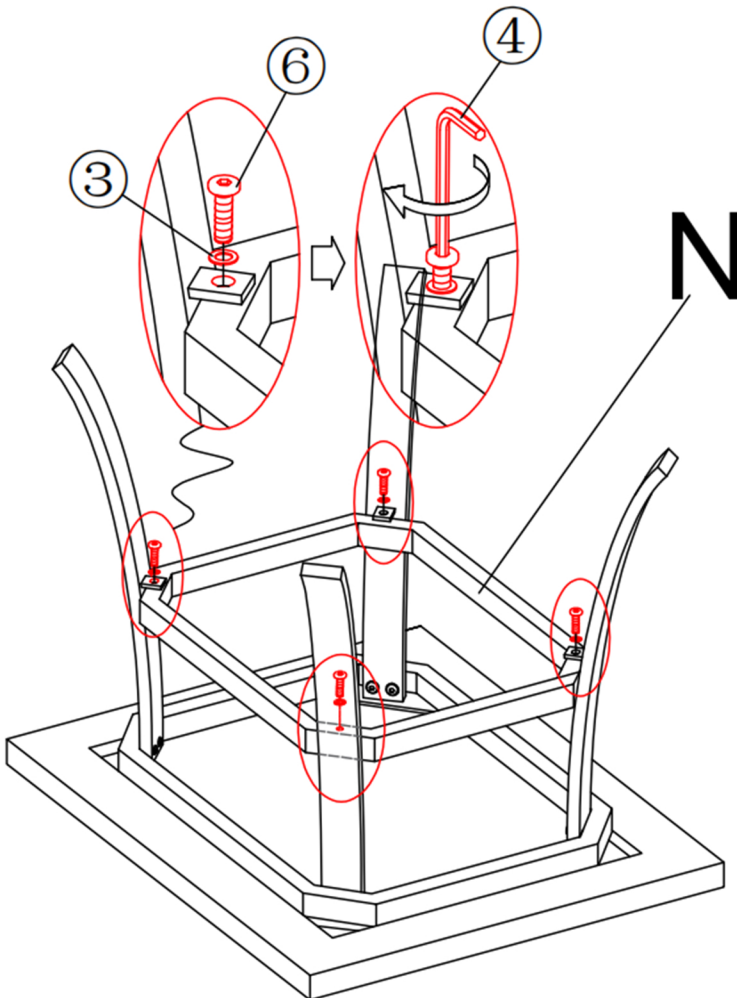
# step 1

Install all four legs (M) onto the table frame (V) as shown, add one washer (3) on each bolt (5) as shown, then align the bolt holes on both legs (M) and table frame (V), then use the allen wrench (4) provided to tighten all bolts by 30%-50% at first, ensuring that all bolts are aligned correctly before tightening all bolts.



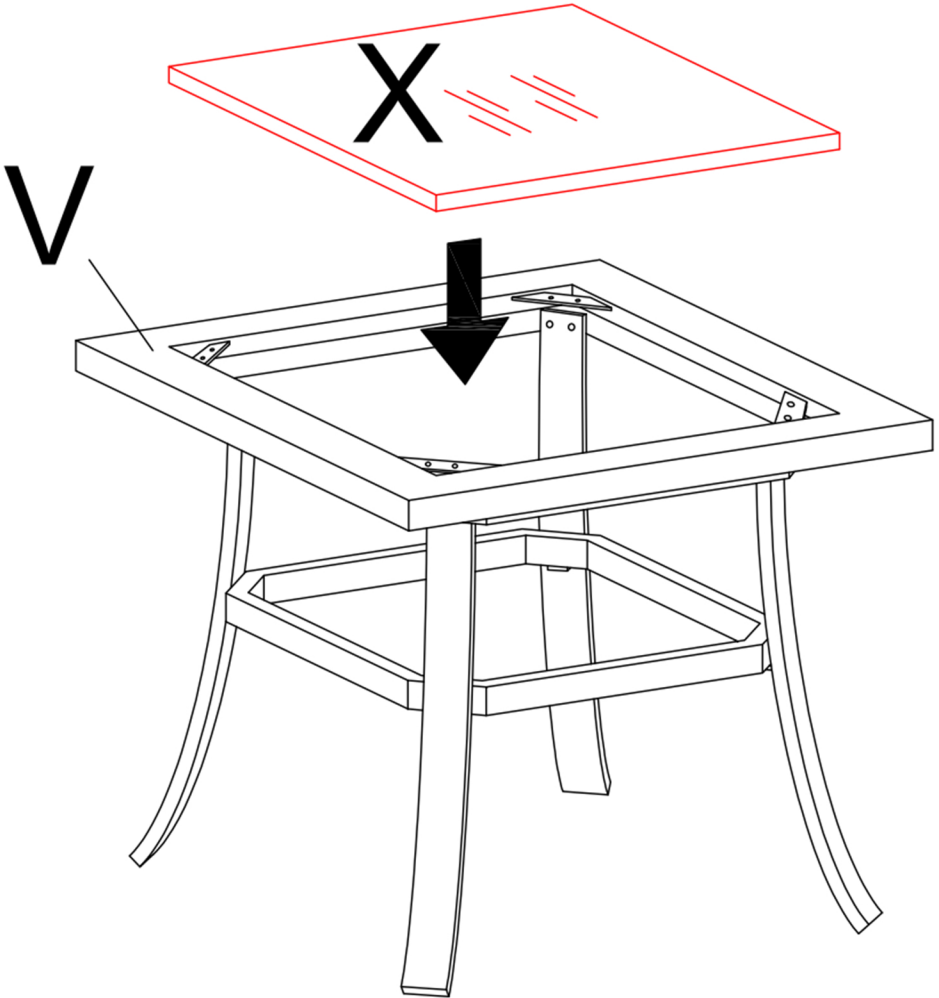
# step 2

Install the iron frame (N) onto the legs as shown. add one washer (3) on each bolt (6) as shown, then align the bolt holes on both iron frame (N) and legs, then use the allen wrench (4) provided to tighten all bolts by 30%-50% at first, ensuring that all bolts are aligned correctly before tightening all bolts.



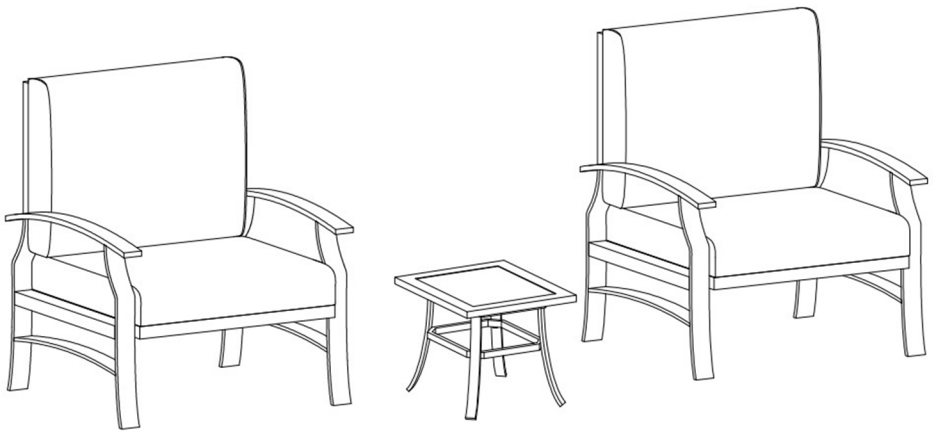
# step 3

Place the tabletop (X) onto the table frame as shown, make sure they are aligned correctly.



# step 4

The assembly is completed, thank you for choosing our product, please enjoy!



For better user experience, please carefully check all the screws, and make sure they are all fully tightened. (Use the allen wrench to twist each screw until it is fully tightened.)