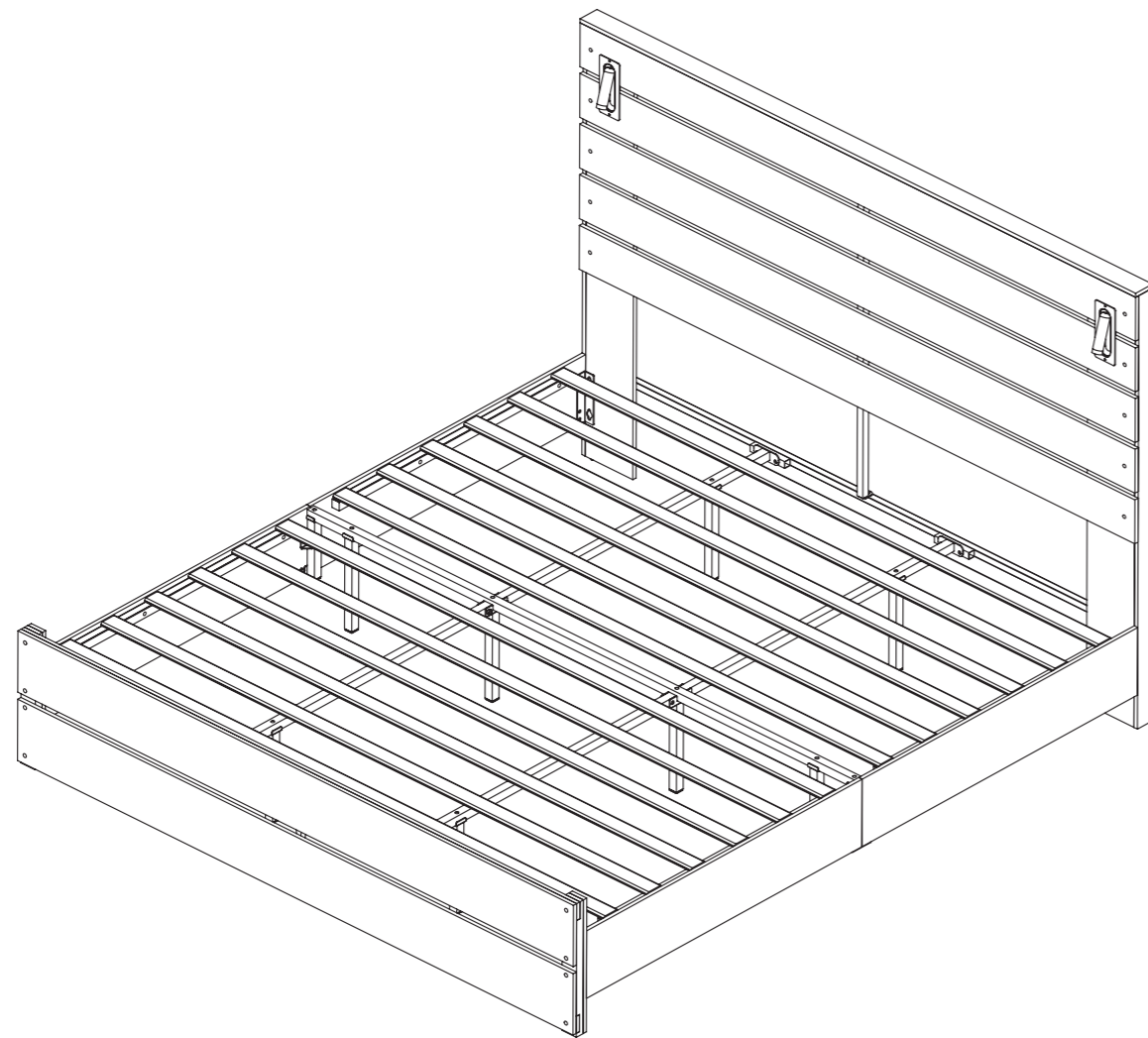
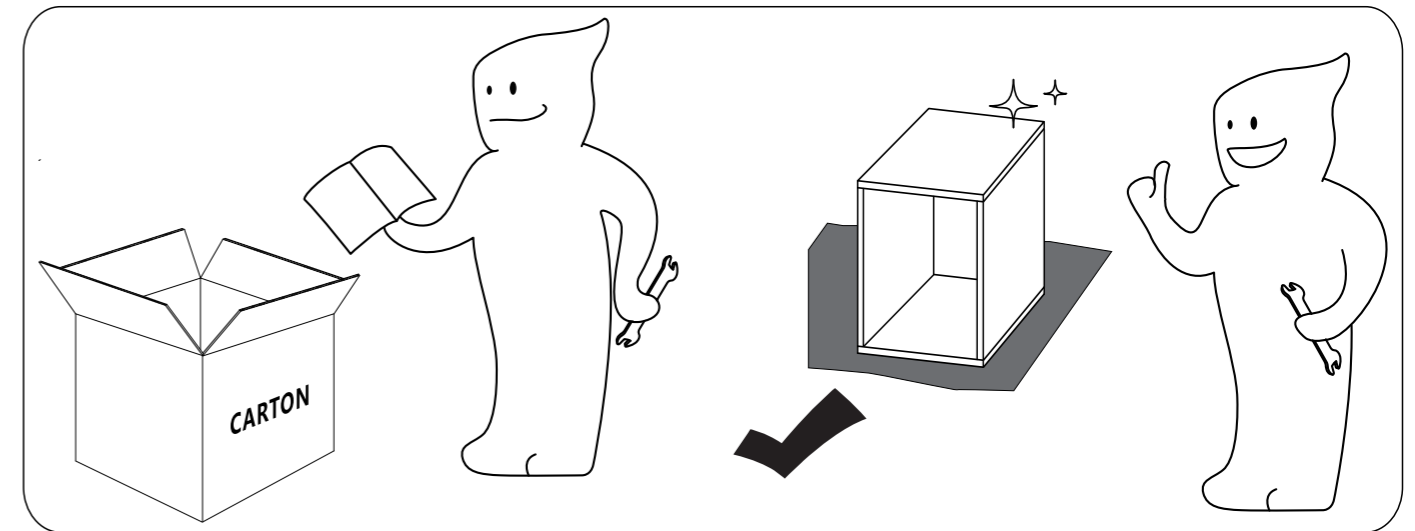
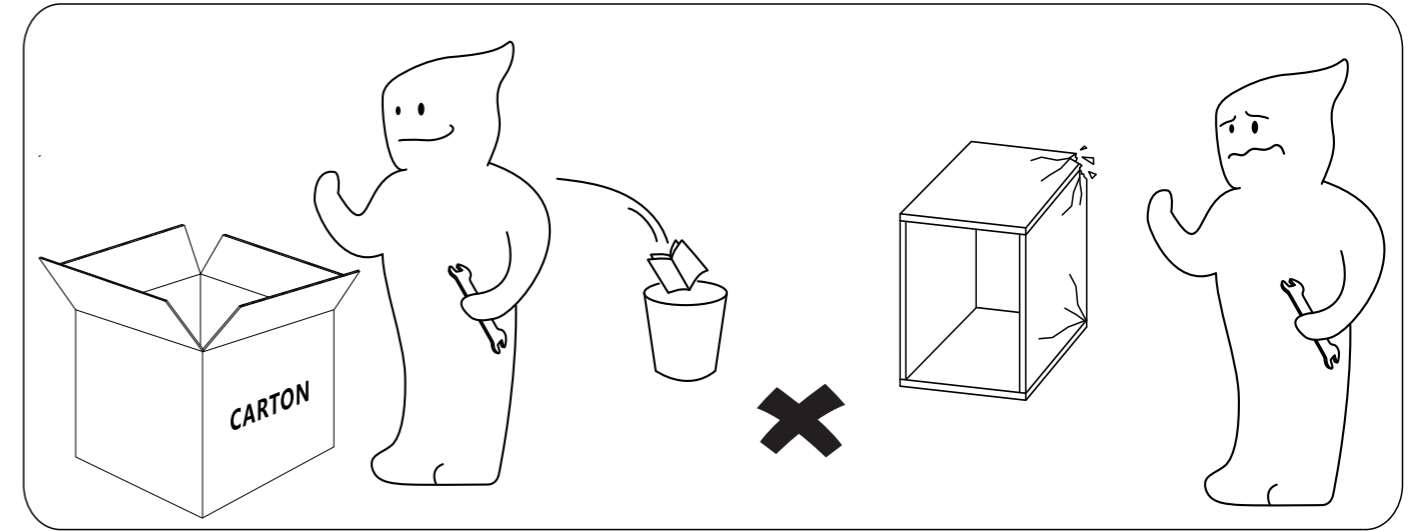


Panel Bed-K
Assembly Instructions



Please follow the instruction manuals and use a pad to protect the product during your assembly.



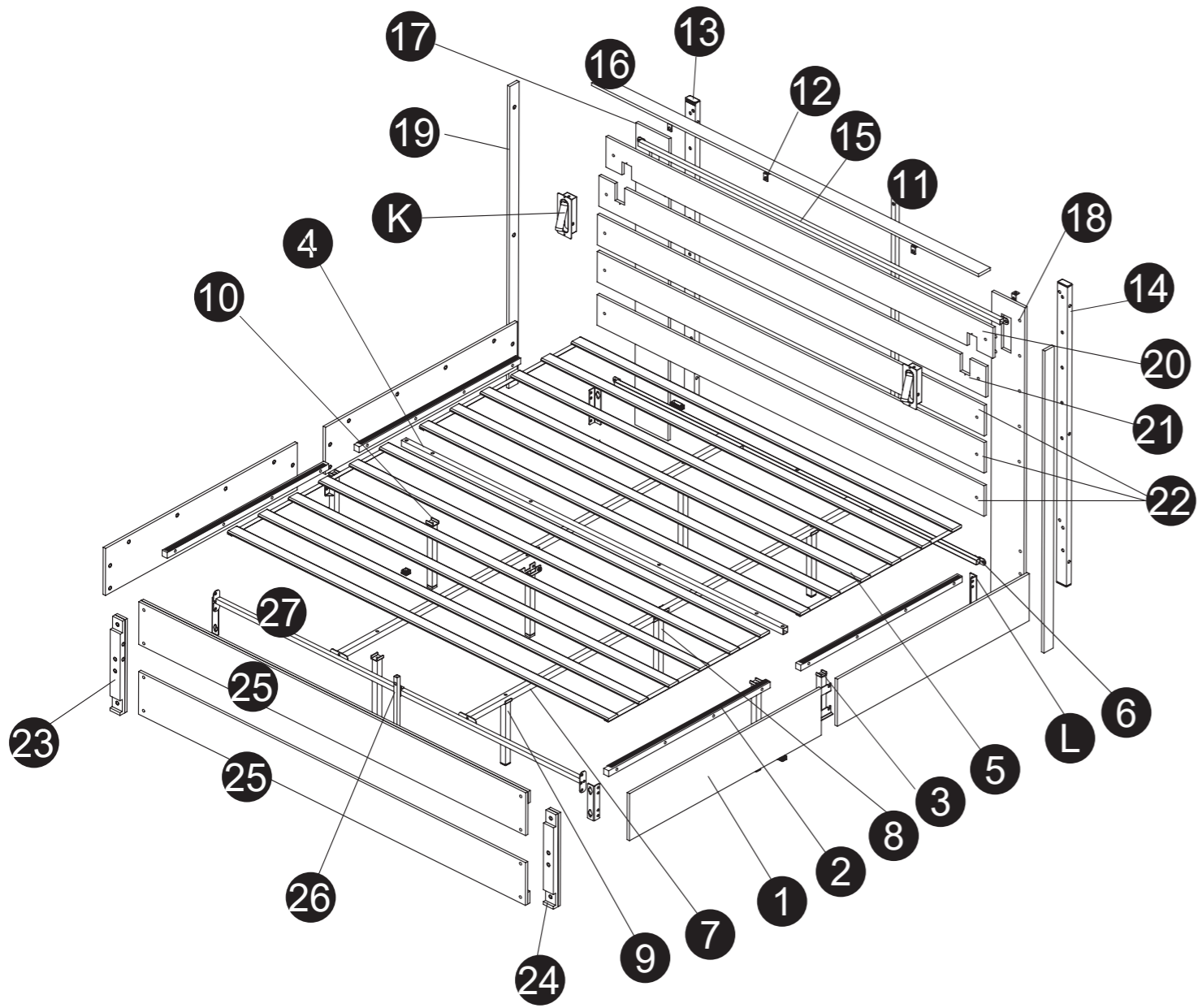
Note:

1. Should be assembled on flat ground to keep balance.
2. Before completing the installation, do not tighten the screws.

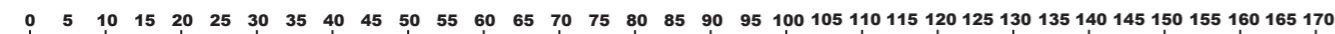


For easier and better assembly, **2** or more adults are required.

ASSEMBLY INSTRUCTIONS



Ruler - Use this ruler to help correctly identify the screws



The length of the screw is measured from the rod part excluding the screw cap (30mm screw shown)

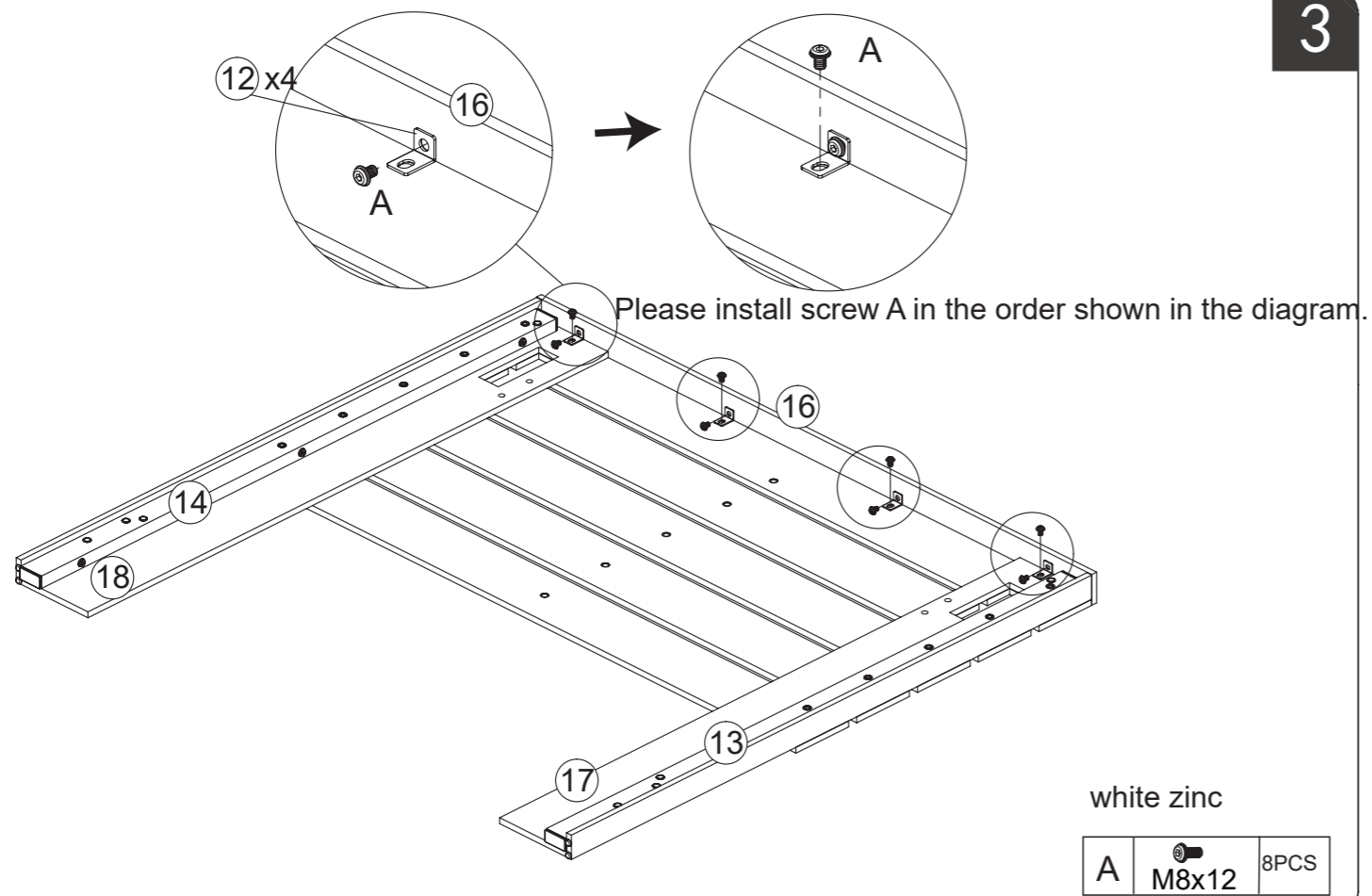
ASSEMBLY INSTRUCTIONS

PARTS LIST

1 4PCS	2 4PCS	3 2PCS
4 1PC	5 2PCS	6 1PC
7 4PCS	8 2PCS	9 Short 4PCS
10 LONG 2PCS	11 1PC	12 4PCS
13 NUT 1PC	14 NUT 1PC	15 1PC
16 1PC	17 1PC	18 1PC
19 2PCS	20 1PC	21 1PC

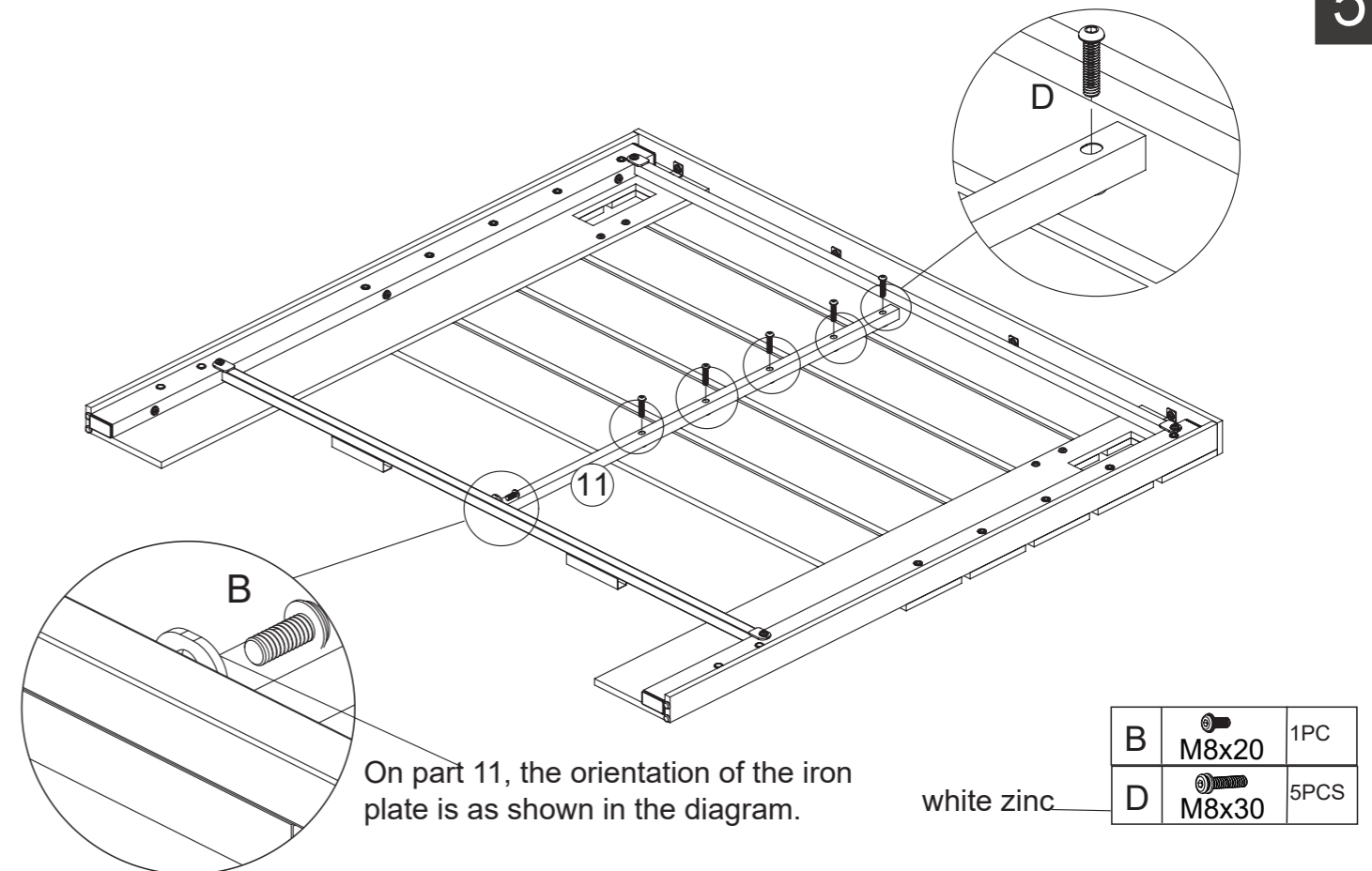
ASSEMBLY INSTRUCTIONS

3

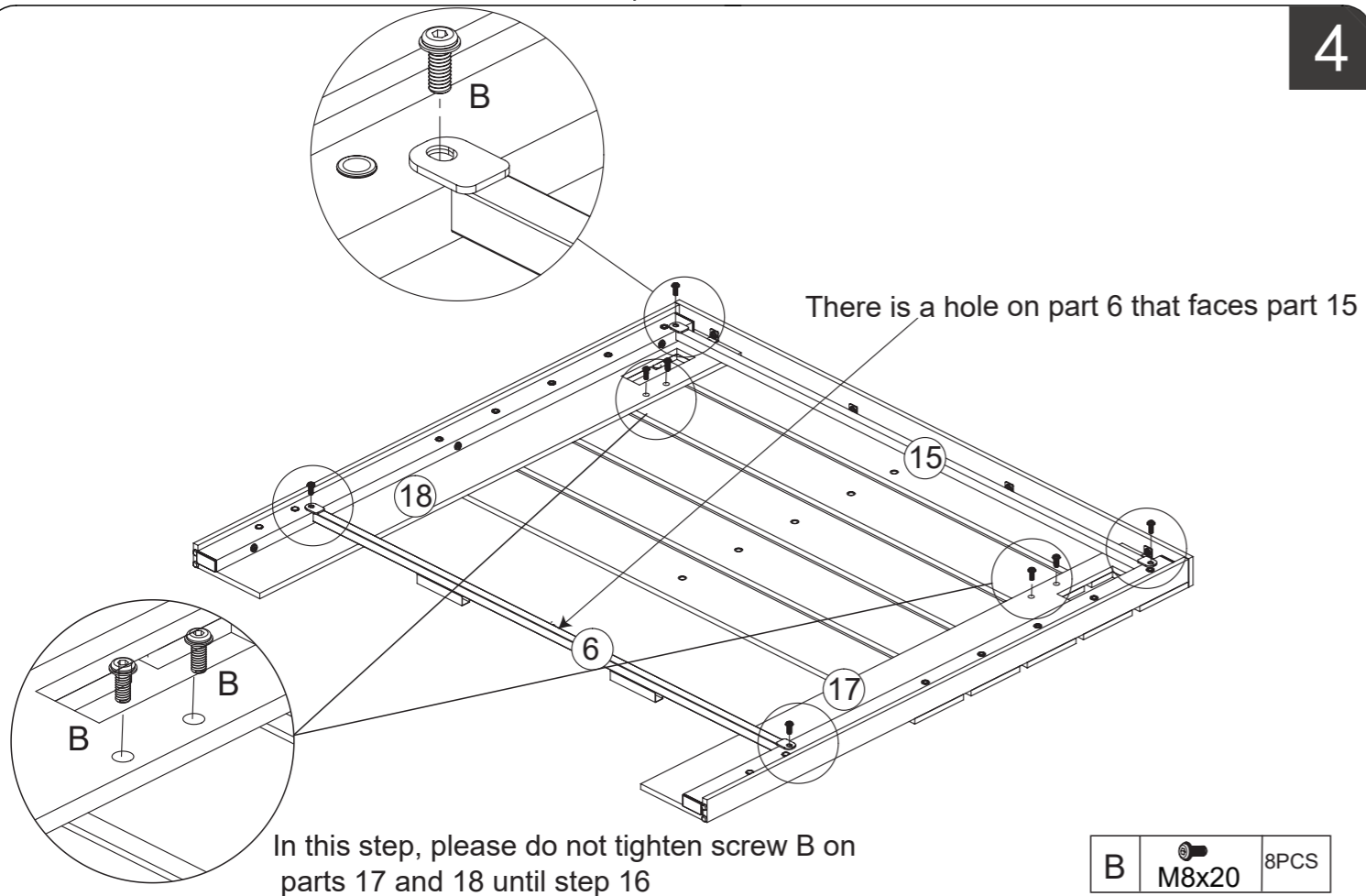


ASSEMBLY INSTRUCTIONS

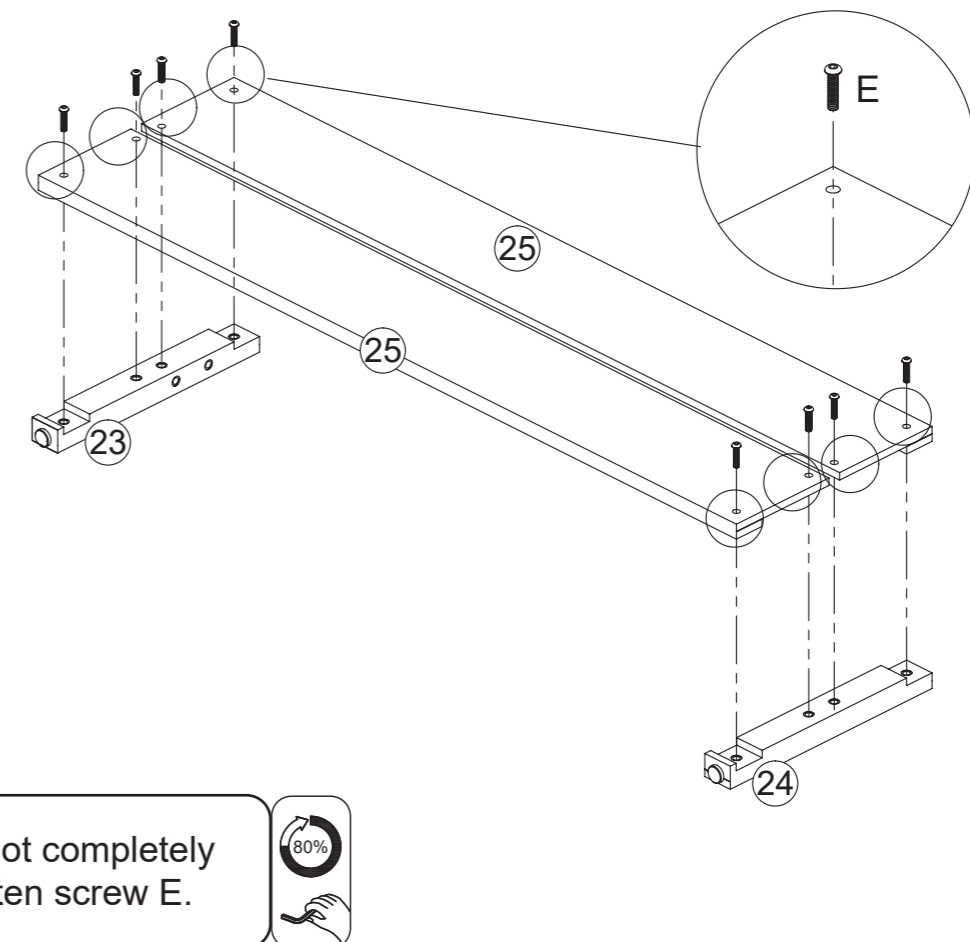
5



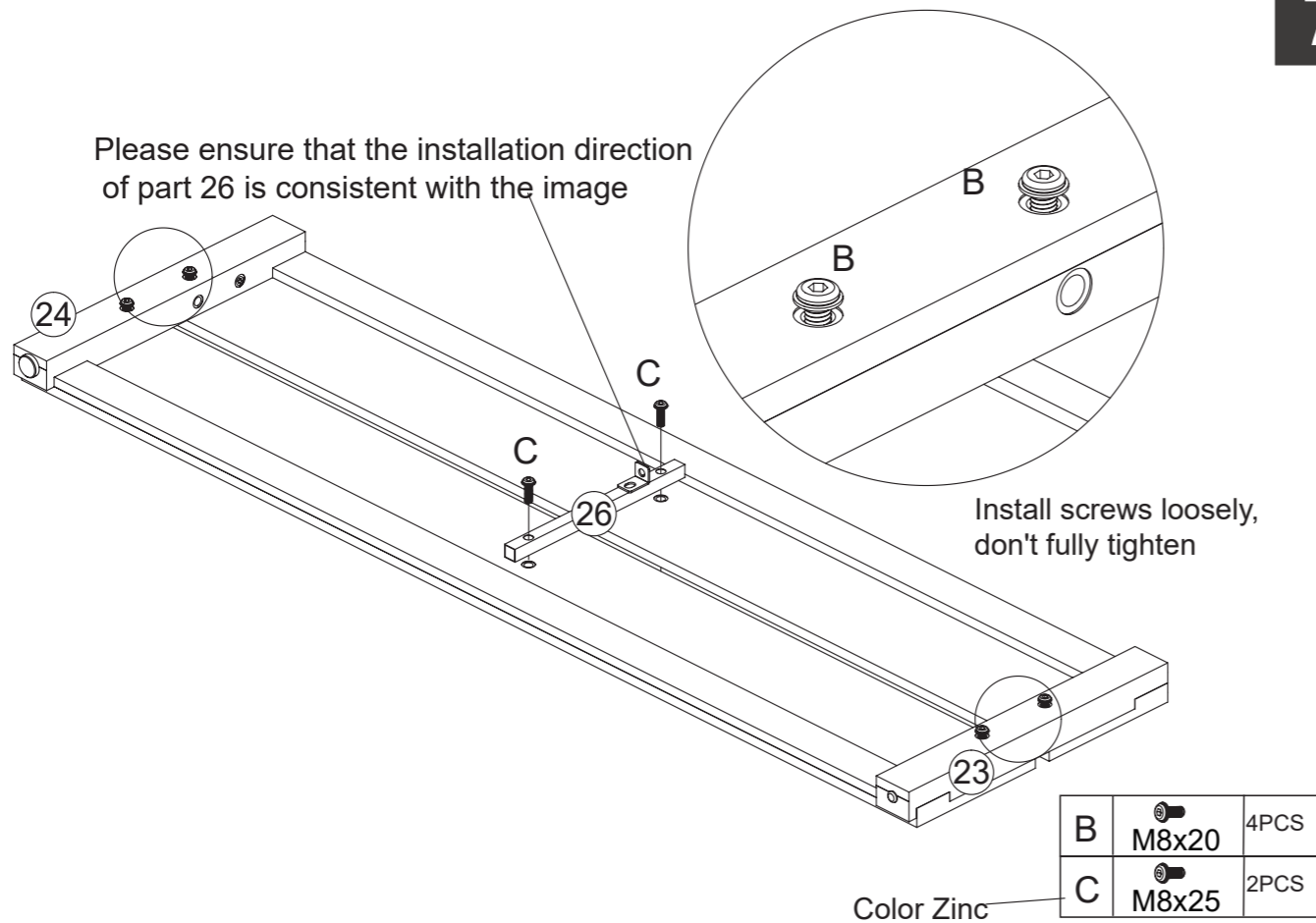
4



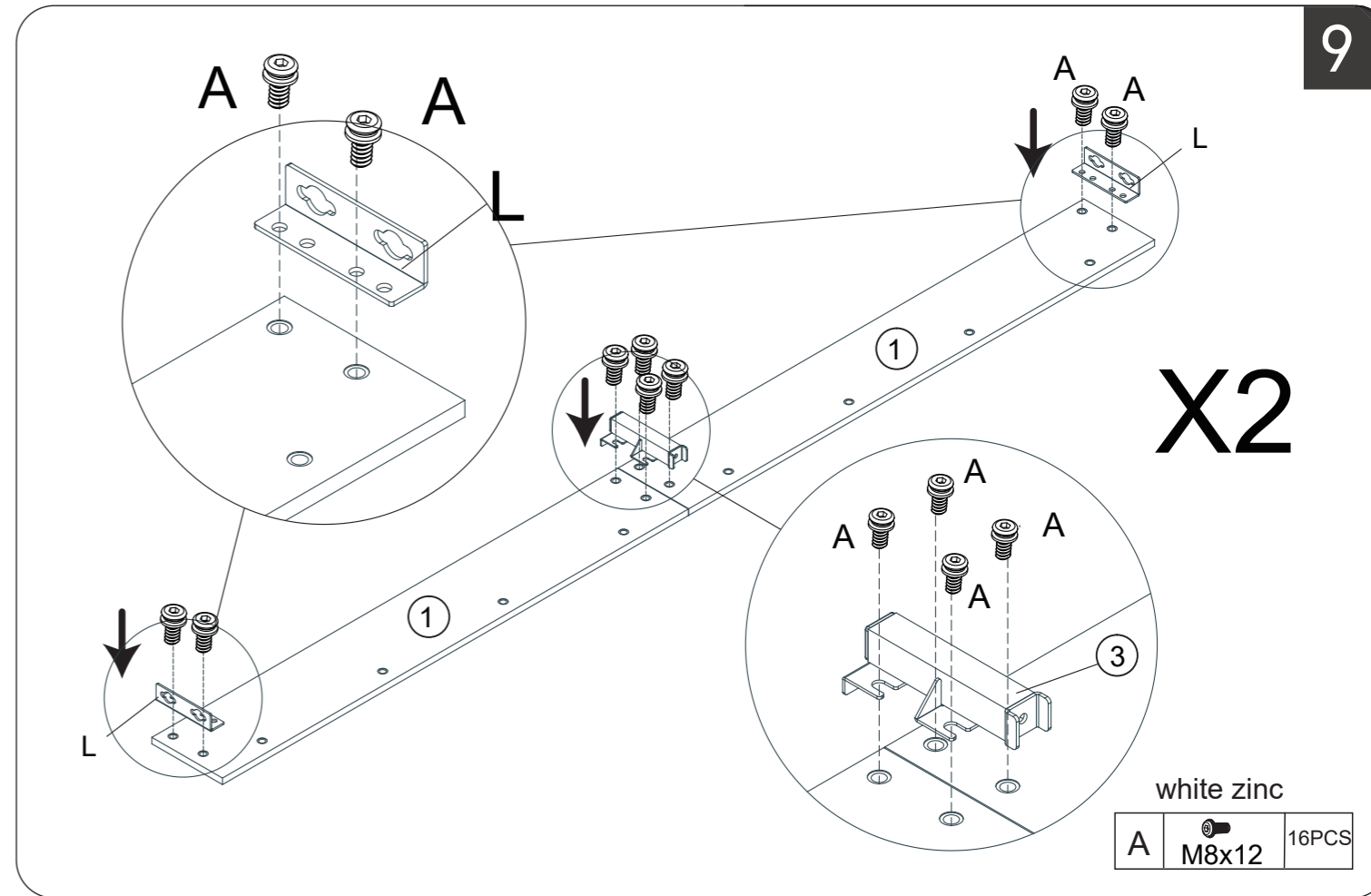
6



7

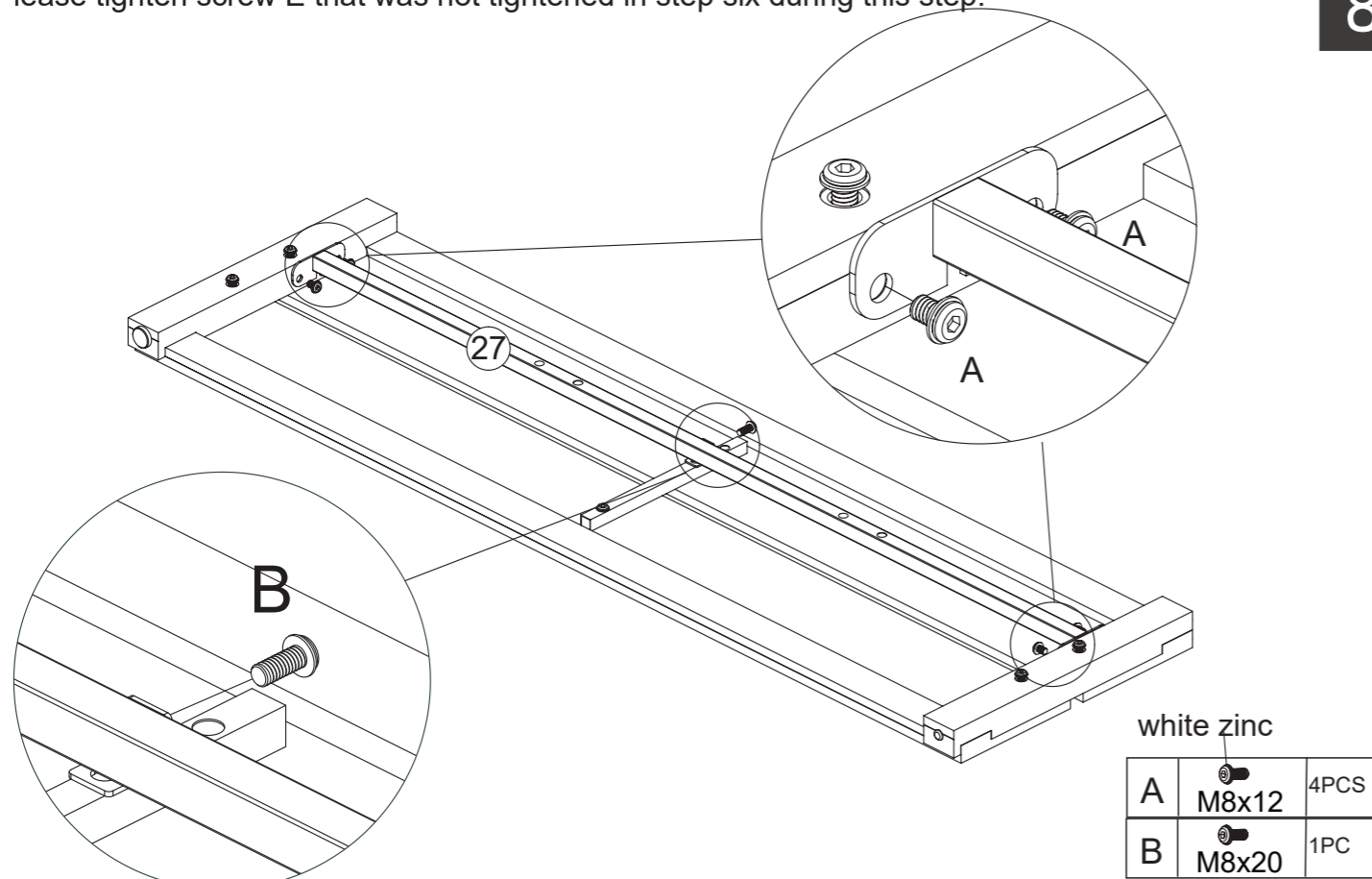


9

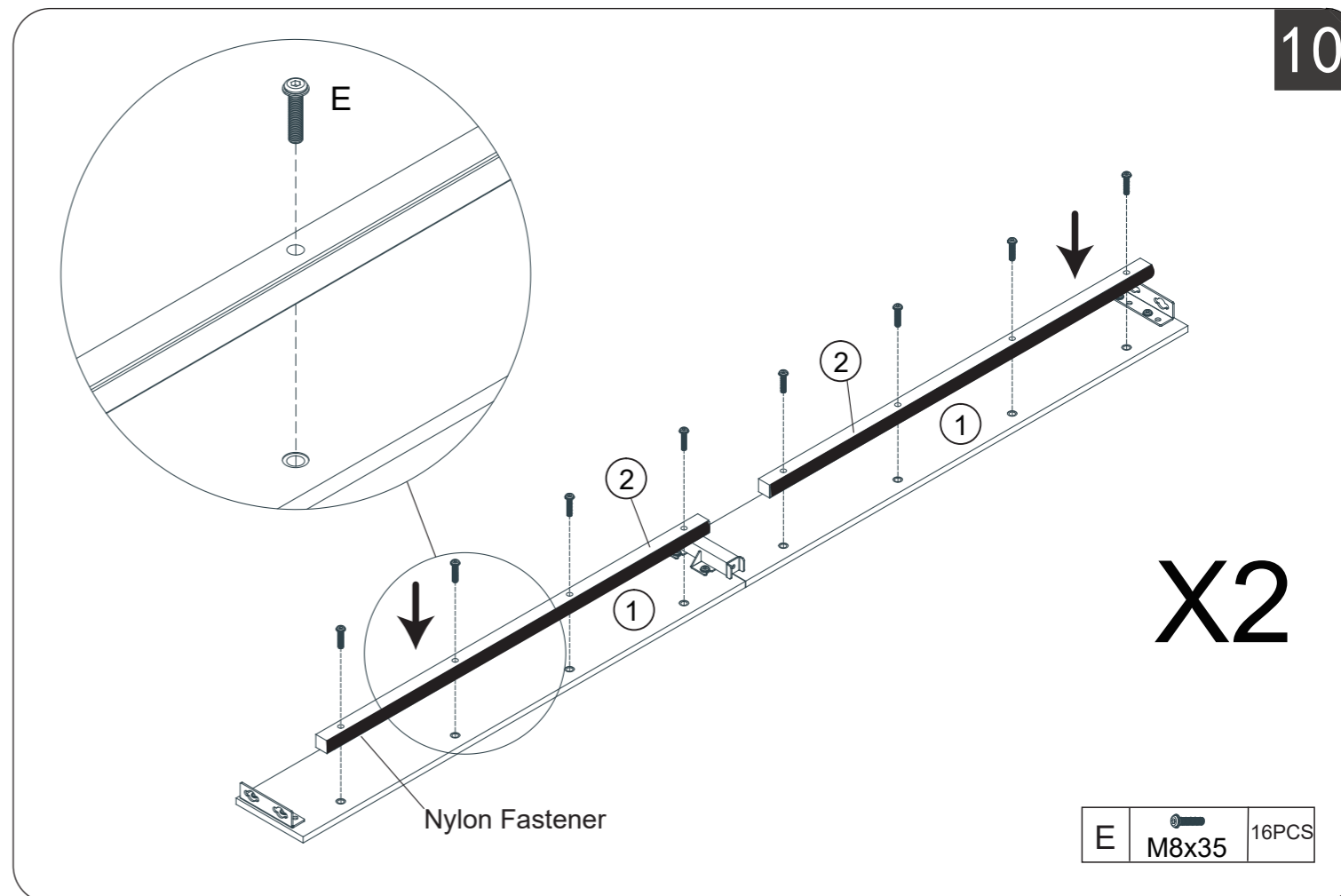


Please tighten screw E that was not tightened in step six during this step.

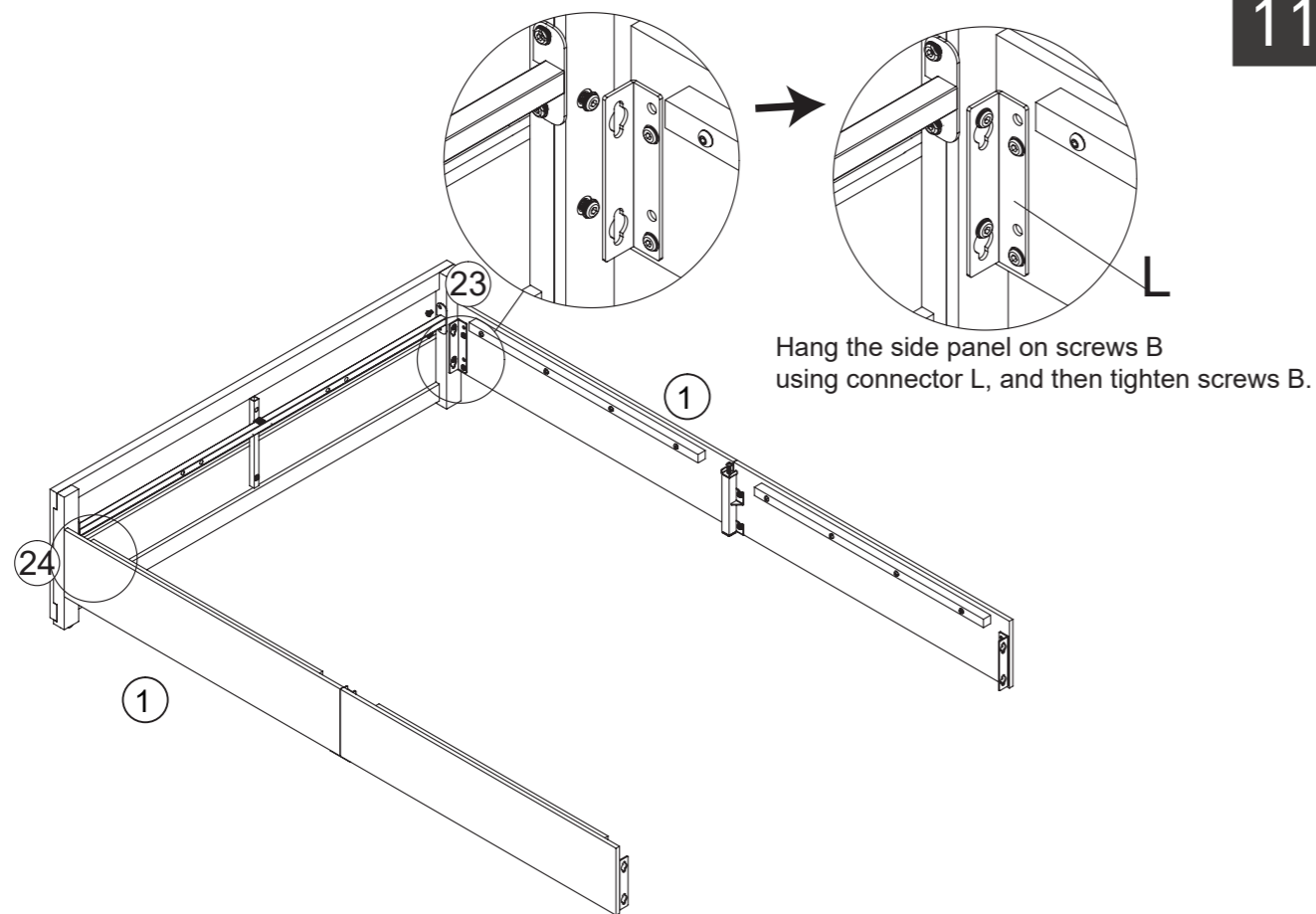
8



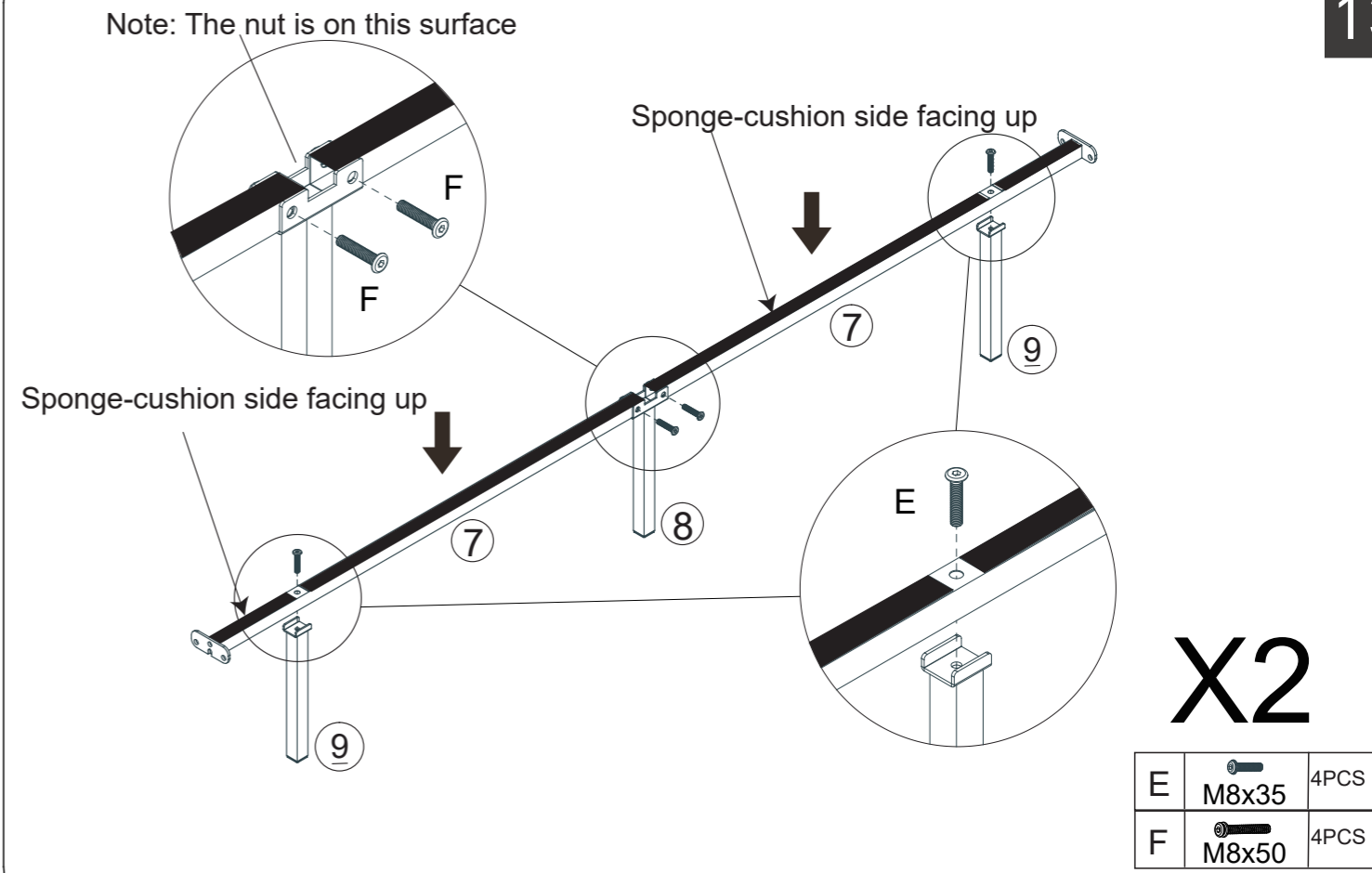
10



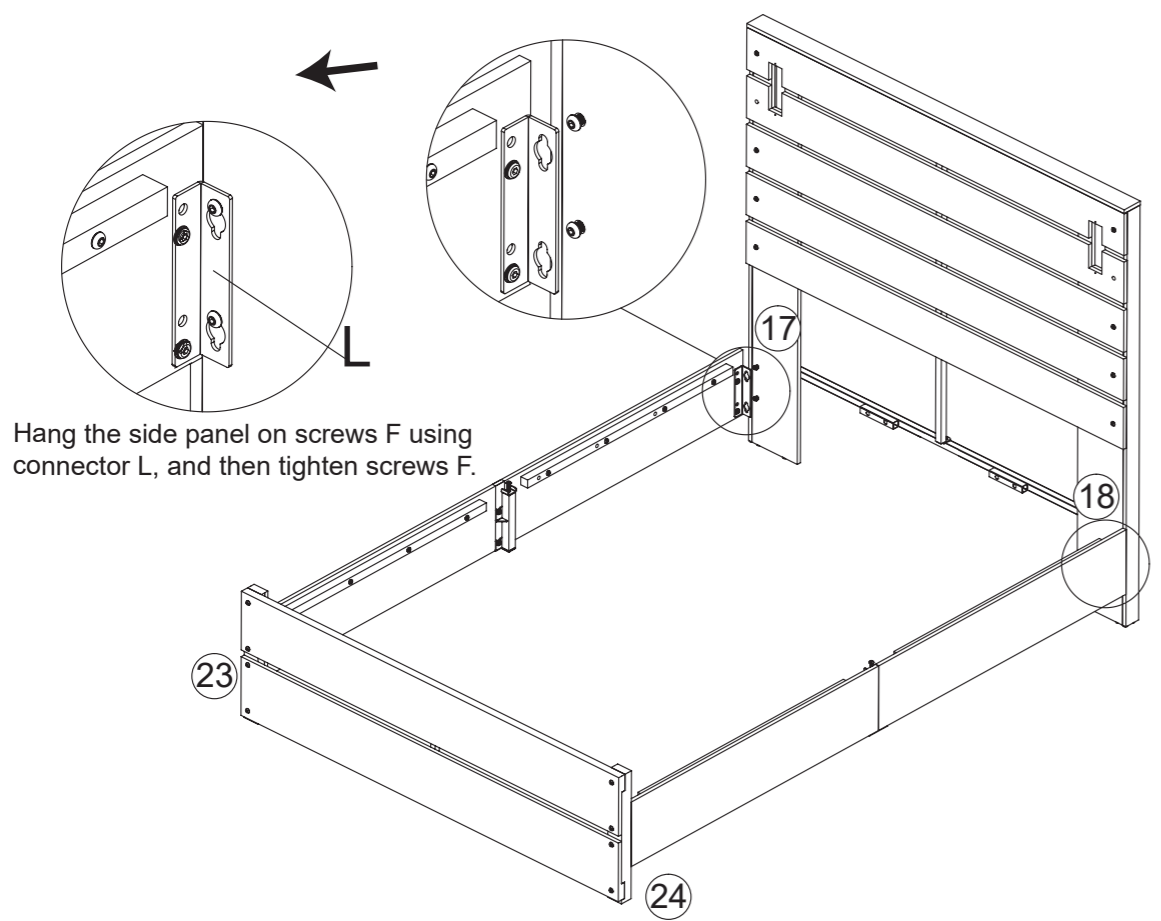
11



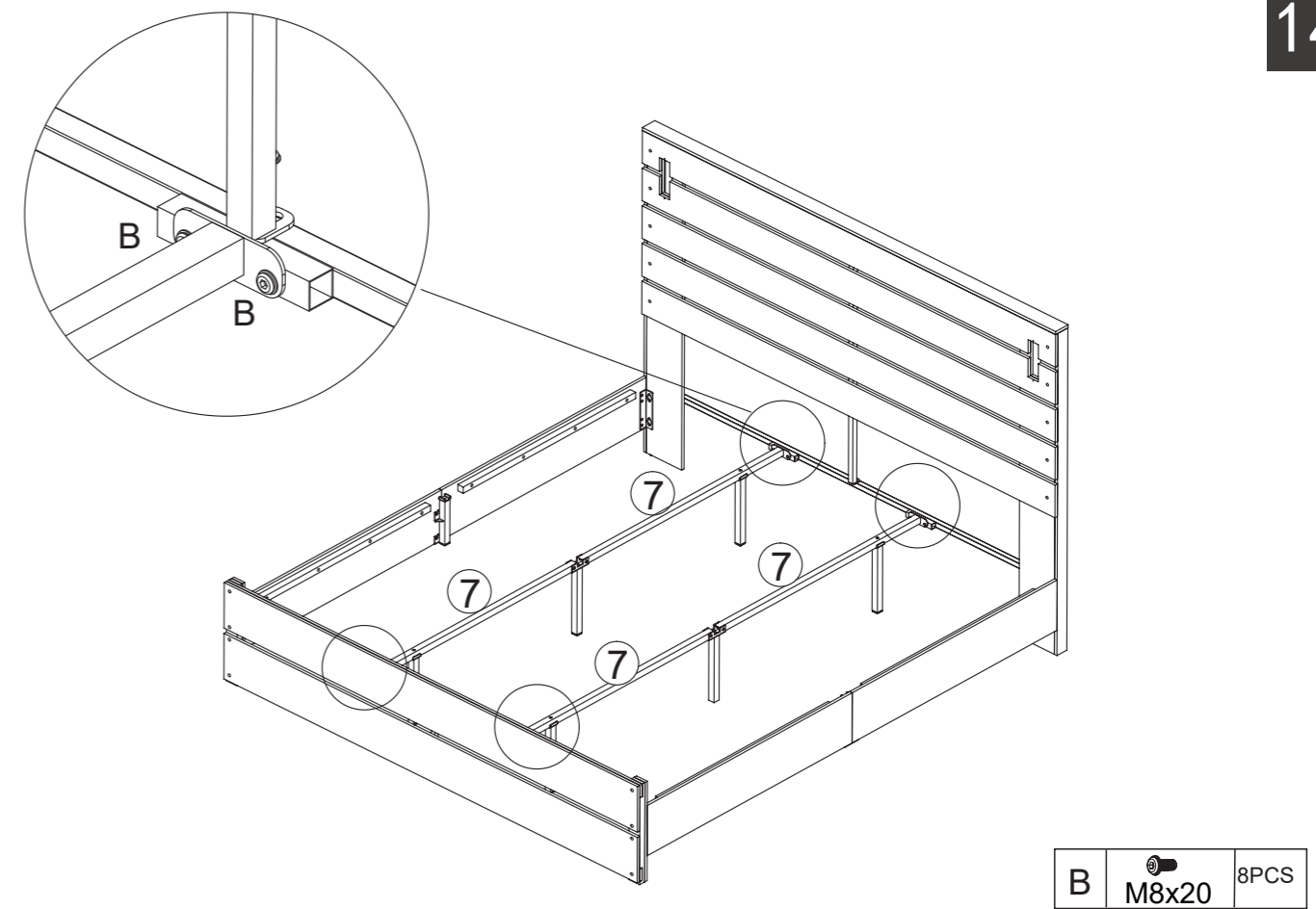
13



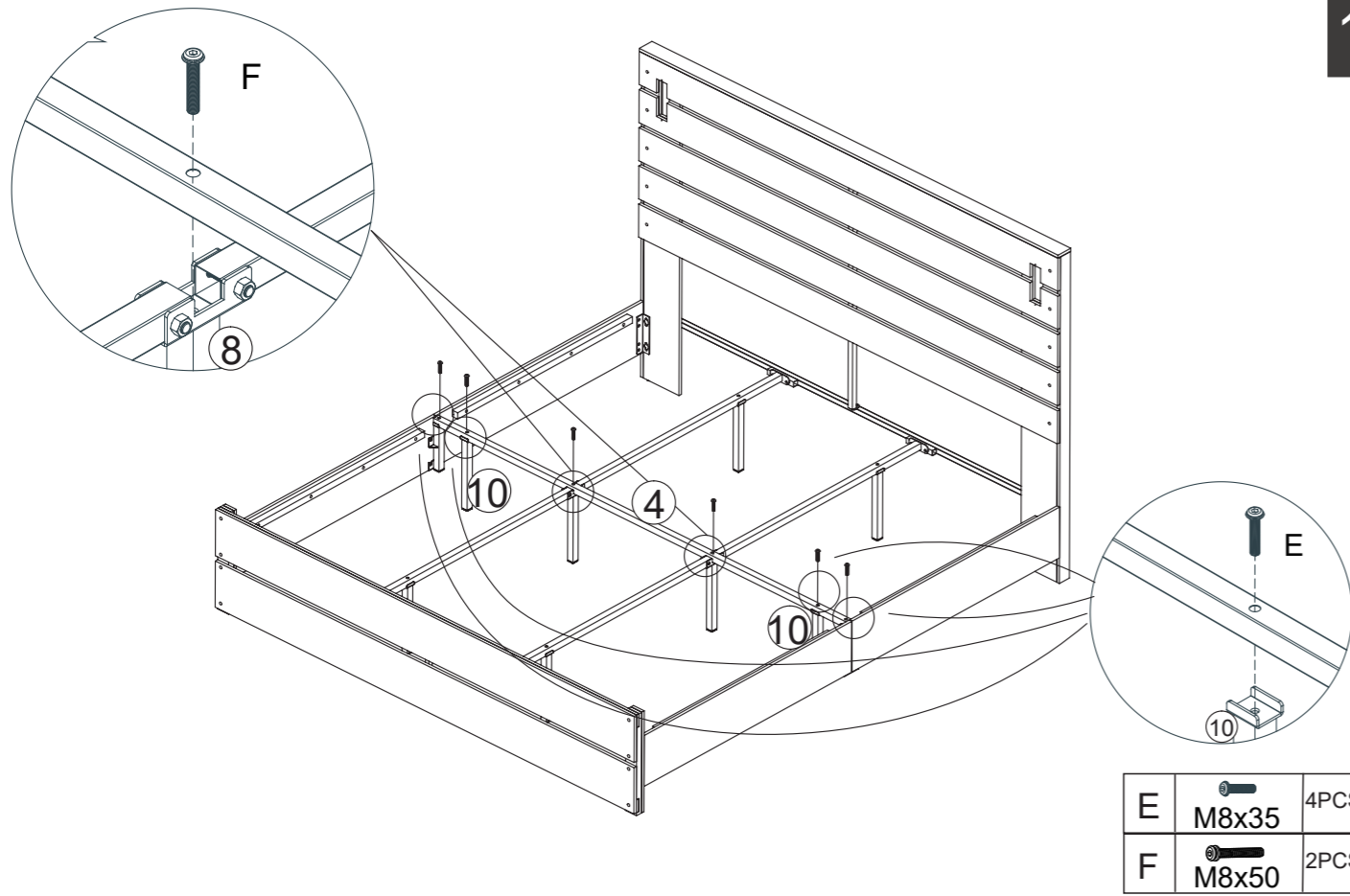
12


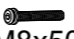


14

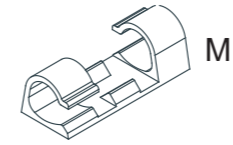


15

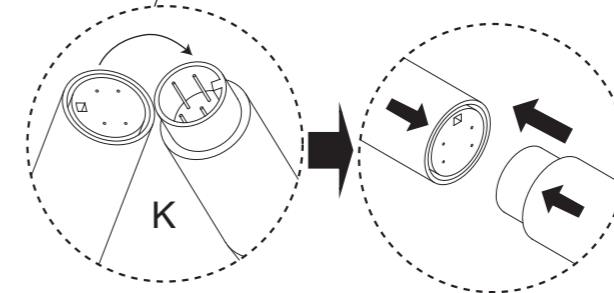
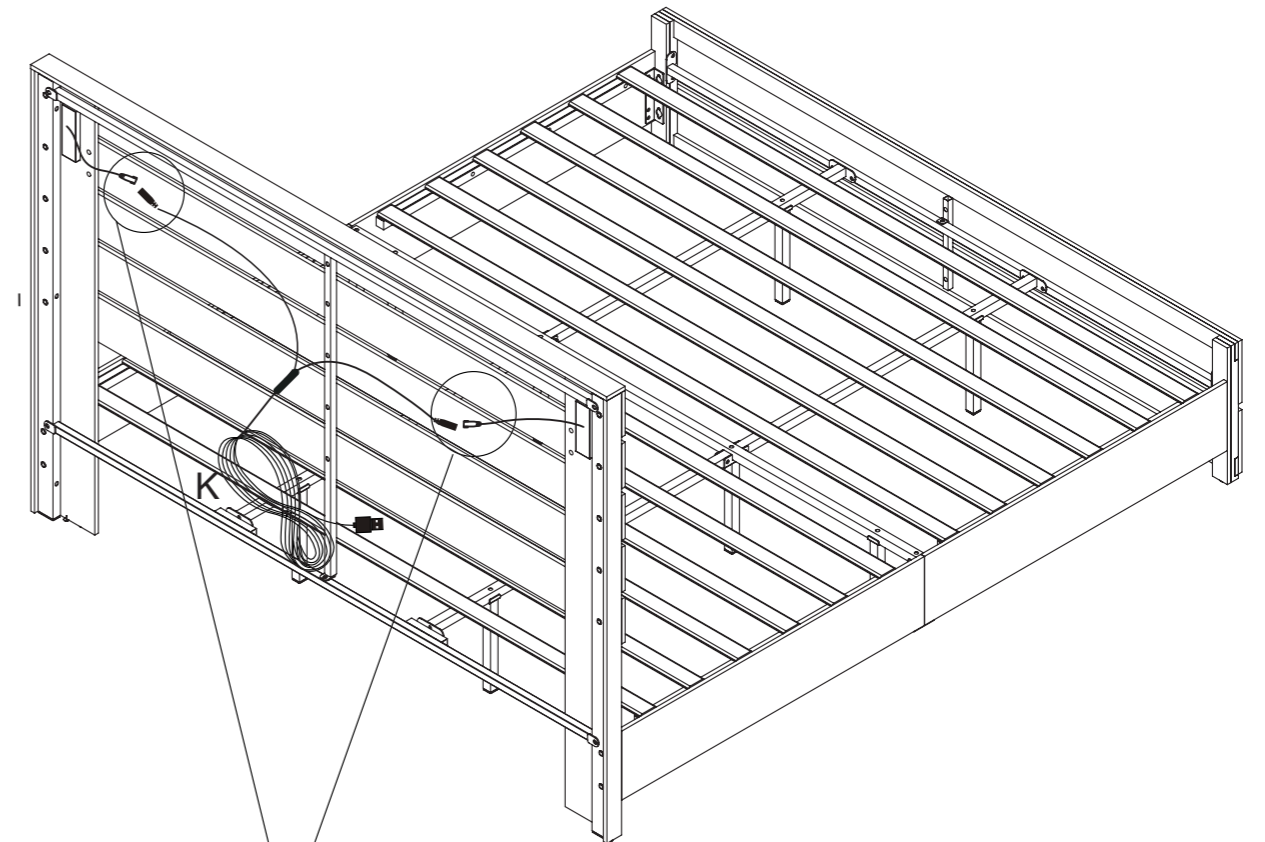


E	 M8x35	4PCS
F	 M8x50	2PCS

17



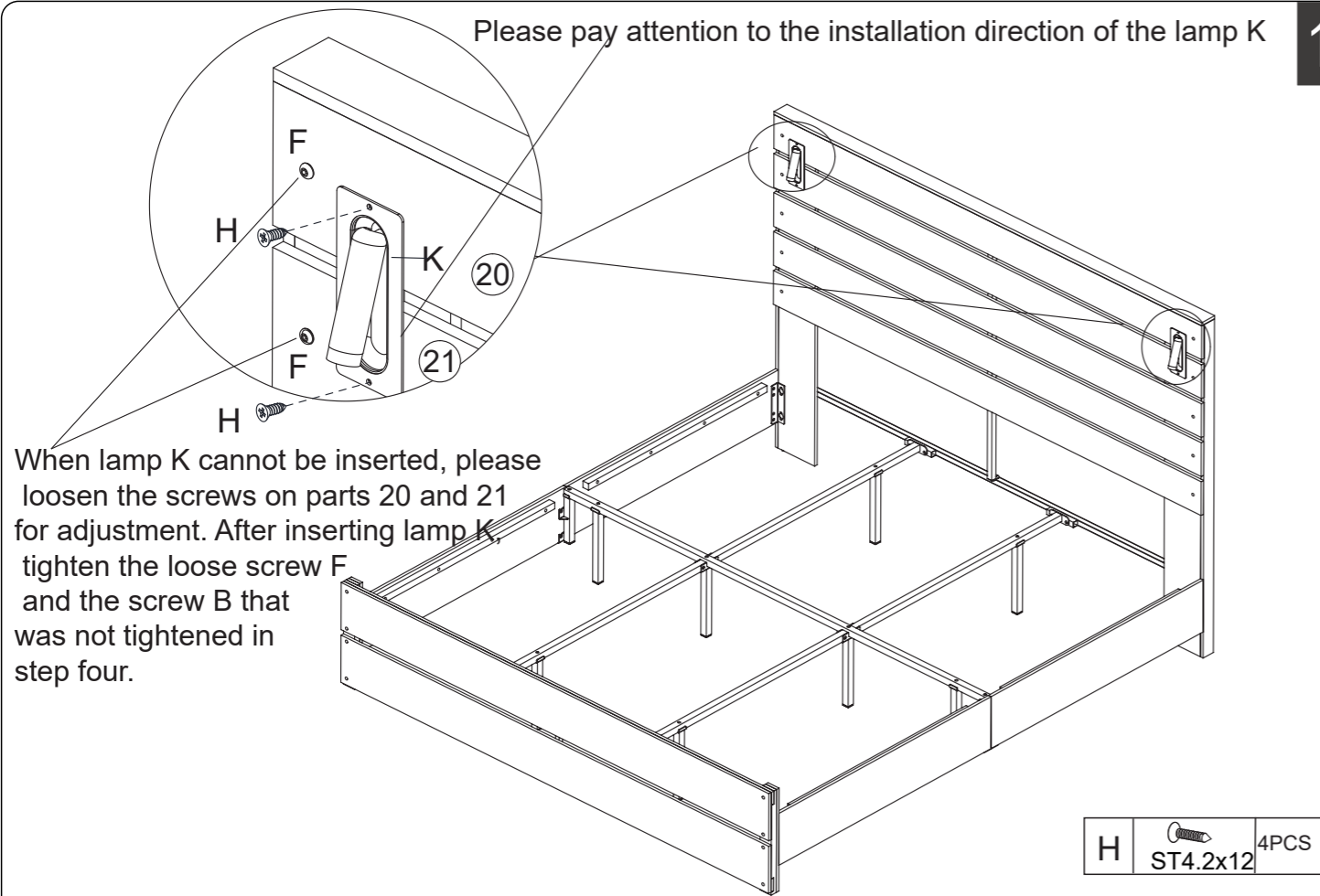
Use a line organizer to organize the circuit



Connect cables from the lights on headboard with one power cable.

Please pay attention to the installation direction of the lamp K

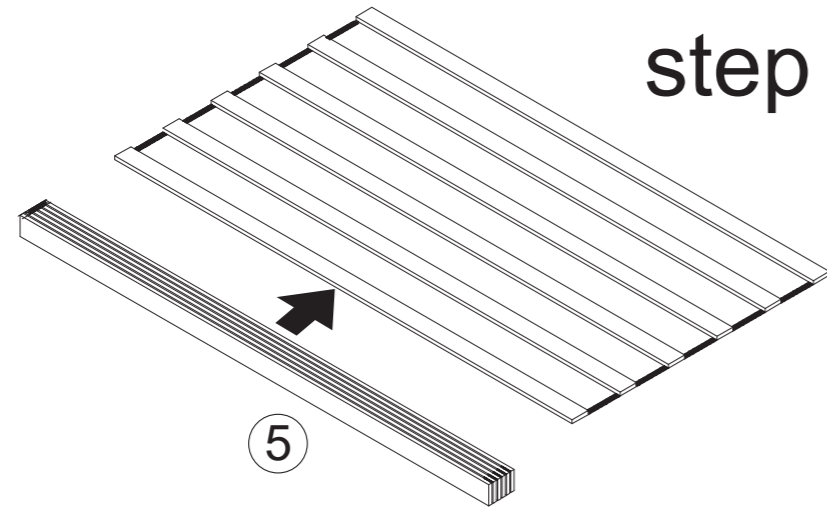
16



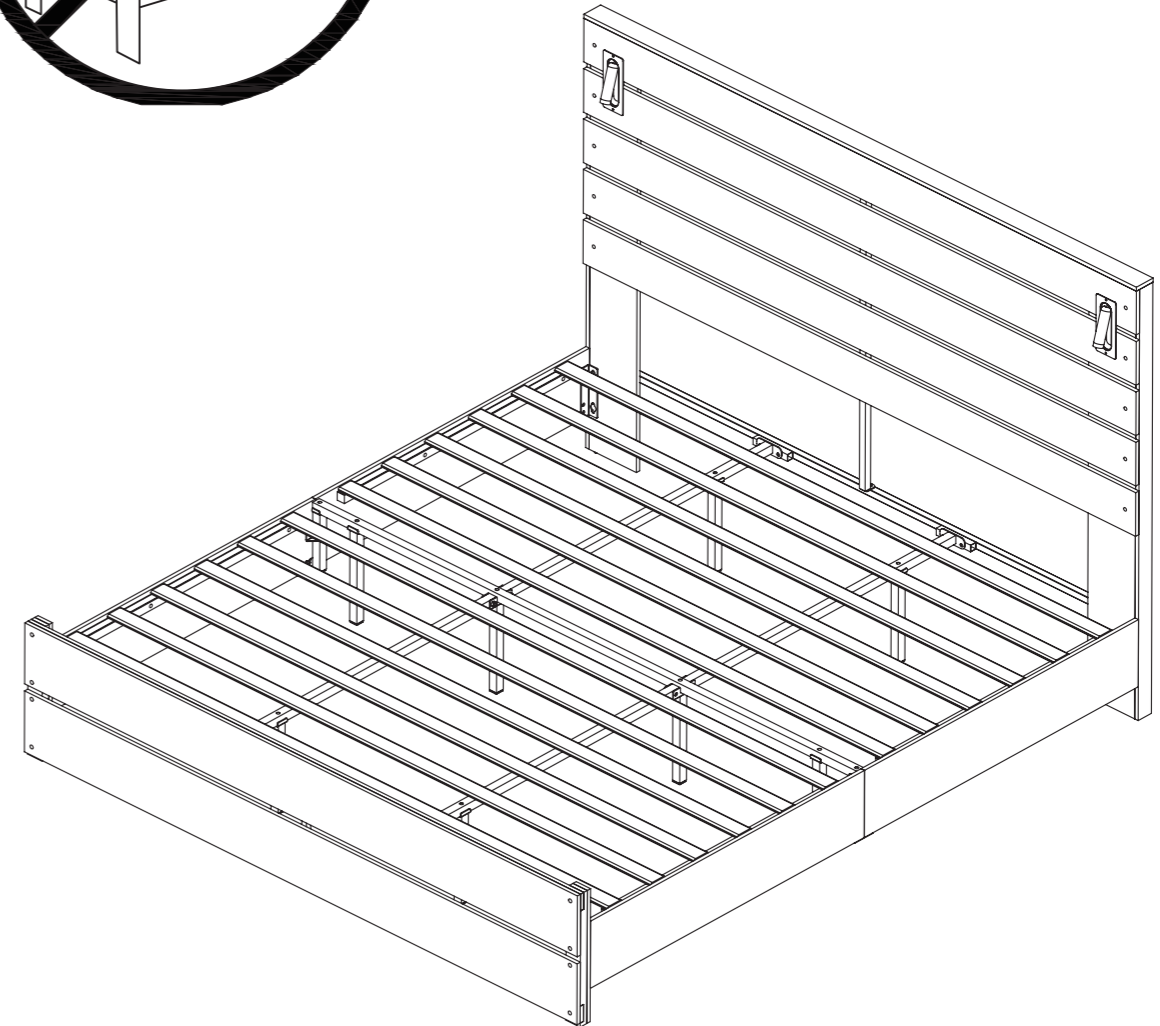
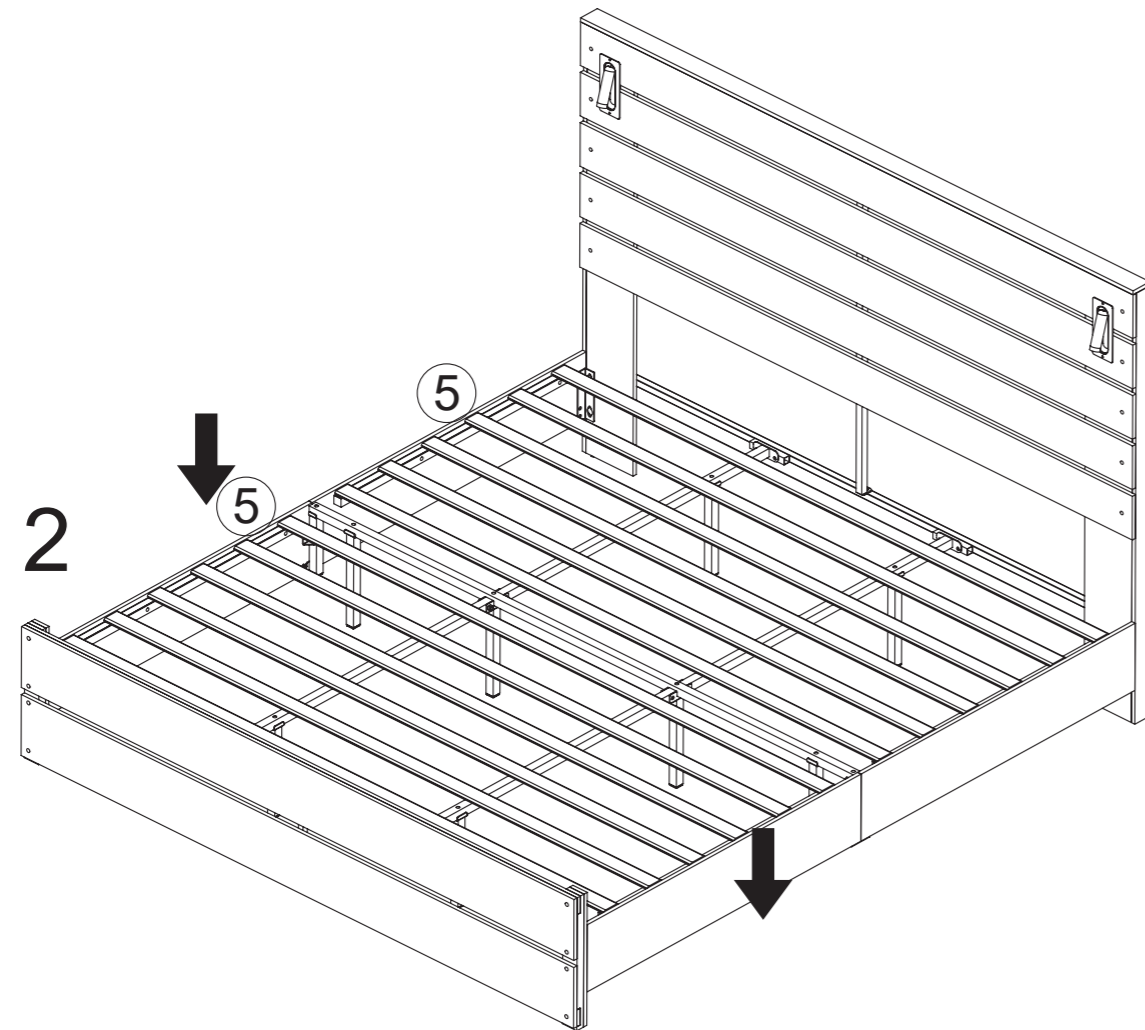
When lamp K cannot be inserted, please loosen the screws on parts 20 and 21 for adjustment. After inserting lamp K, tighten the loose screw F and the screw B that was not tightened in step four.

H	 ST4.2x12	4PCS
---	--	------

step 1



step 2



Please make sure to check that all screws are tightened after completing the entire installation.

Installation Complete