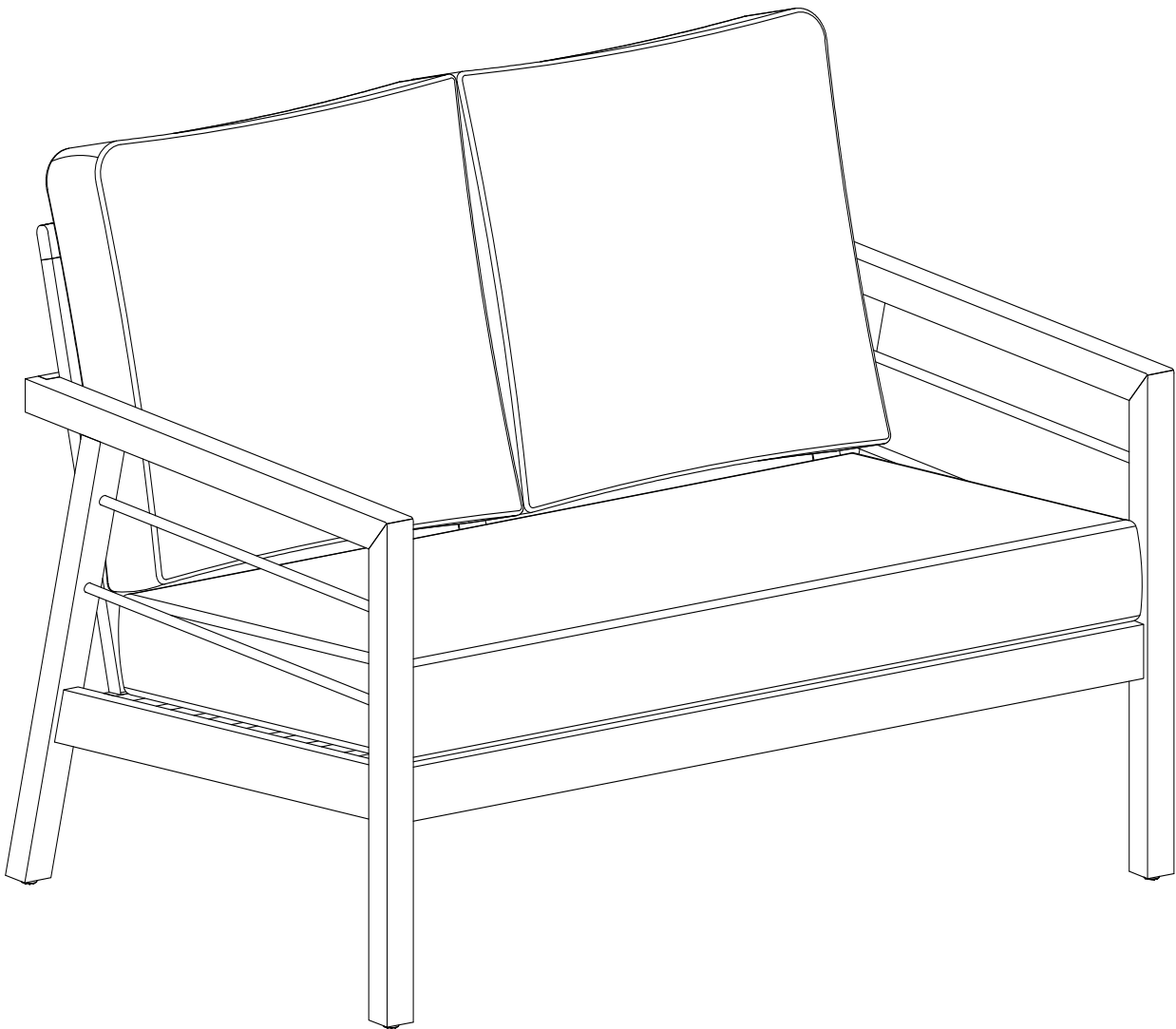


# Assembly Instructions

**CAUTION:** You must read this Assembly Instructions before you proceed.



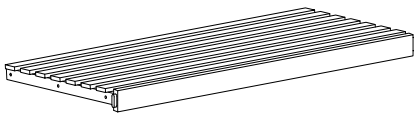
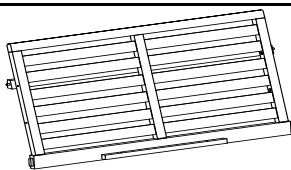
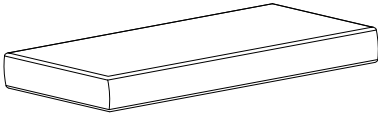
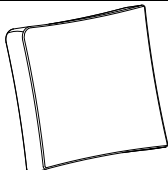
Please look under the Seat Panel for hardware pack.

## **Loveseat**

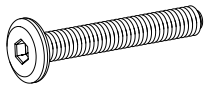
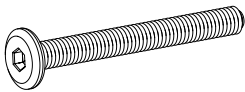
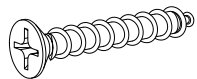

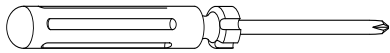


**CAUTION :** This Loveseat is NOT a TOY.  
Keep your child / children at bay in the process of assembly.  
For turning the Loveseat and to prevent damage to the Loveseat, 02 persons may be needed to execute this action.

# Parts List

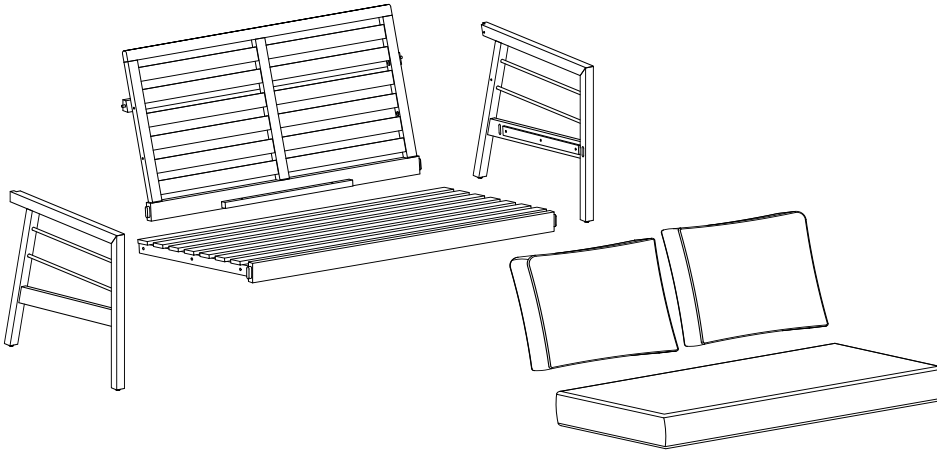
| Label | Picture   | Description      | QTY |
|-------|---|------------------|-----|
| A     |    | Left Side Panel  | 1   |
| B     |    | Right Side Panel | 1   |
| C     |    | Seat Panel       | 1   |
| D     |    | Backrest Panel   | 1   |
| E     |  | Seat Cushion     | 1   |
| F     |  | Back Cushion     | 2   |

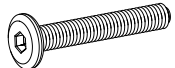
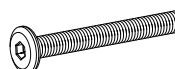
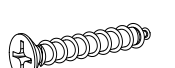

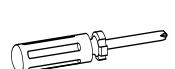
# Hardware

| Label | Picture   | Description                   | QTY |
|-------|---|-------------------------------|-----|
| ①     |  | Short Bolt (M6x40x15mm)       | 7   |
| ②     |  | Long Bolt (M6x55x15mm)        | 5   |
| ③     |  | Self Tapping Screws (M4x 5mm) | 3   |
| ④     |  | Allen Wrench (K4)             | 1   |
| ⑤     |  | Screwdriver (not provided)    | 1   |

# Assembly Preparation

Before Beginning Assembly:



-  x7
-  x5
-  x3
-  x1
-  x not provided



- Read instructions, cover to cover-



- Have 2 adults on hand for assembly-



- Do not assemble on flooring or carpet-



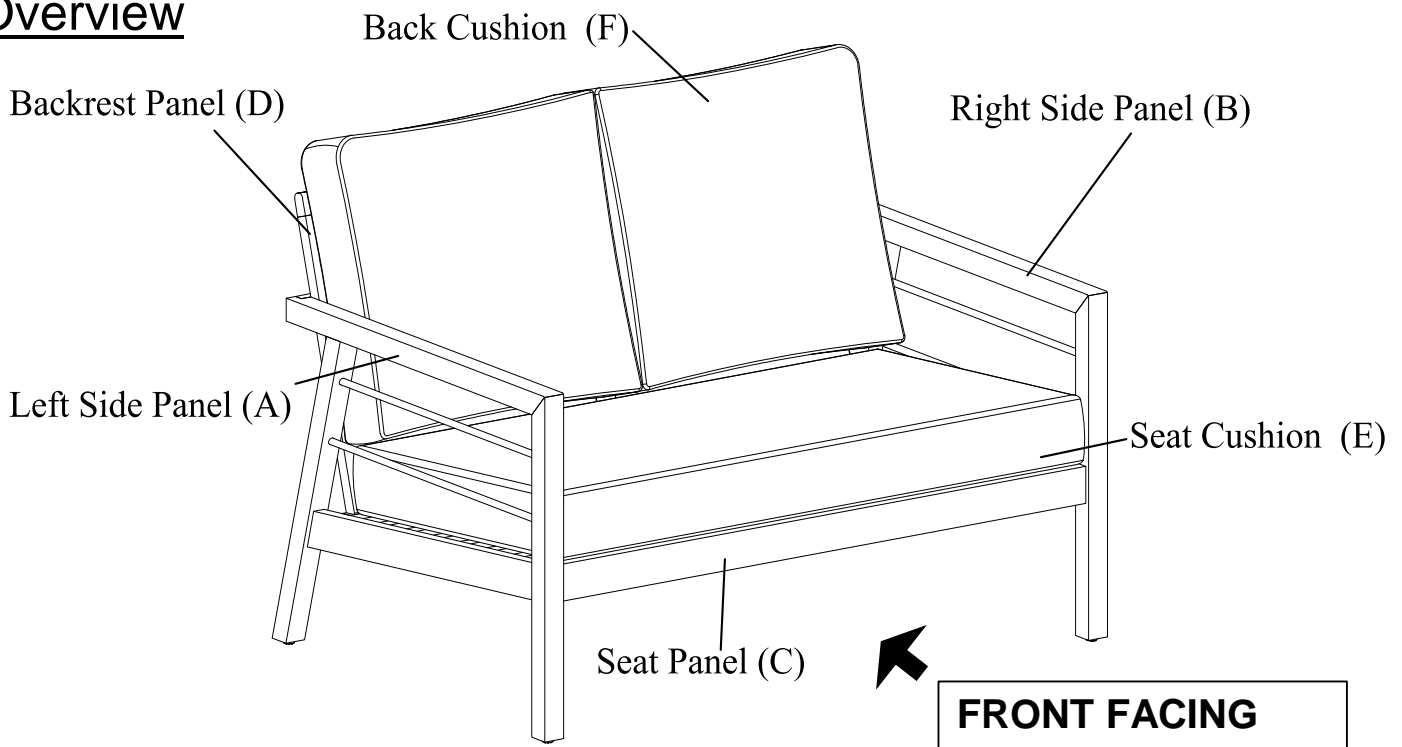
- Assemble on a clean non-marring surface (packing foam)-



- Save all packaging until finished-

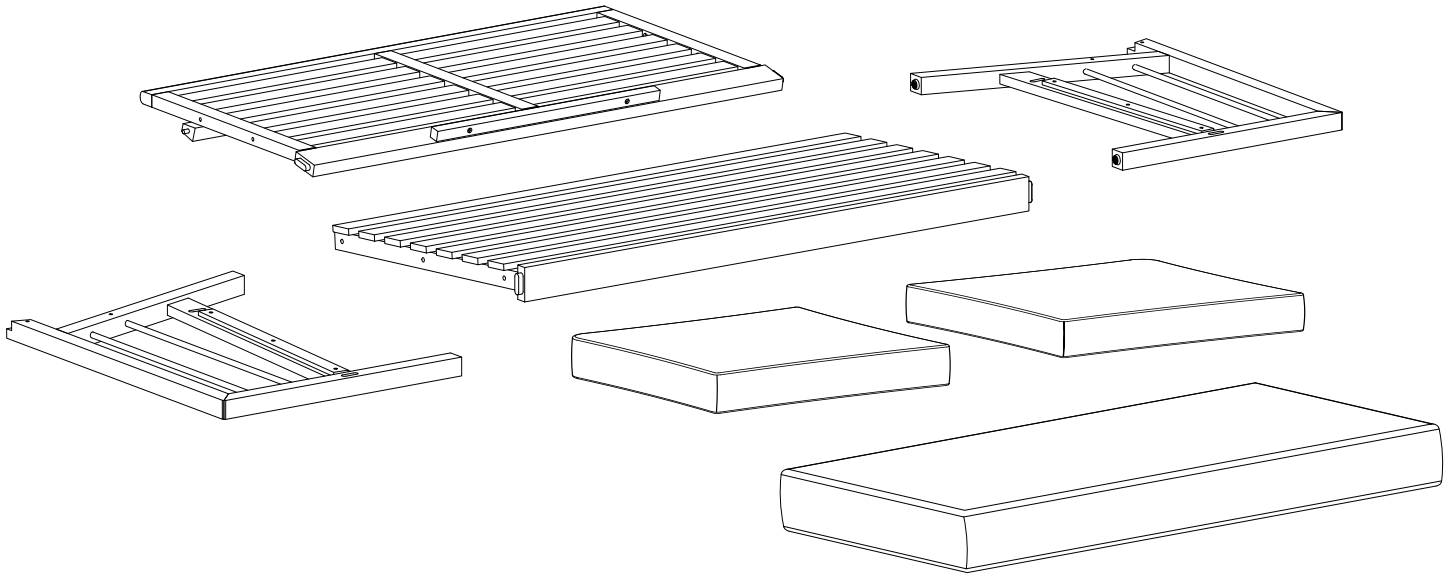
# Assembly steps

## Overview



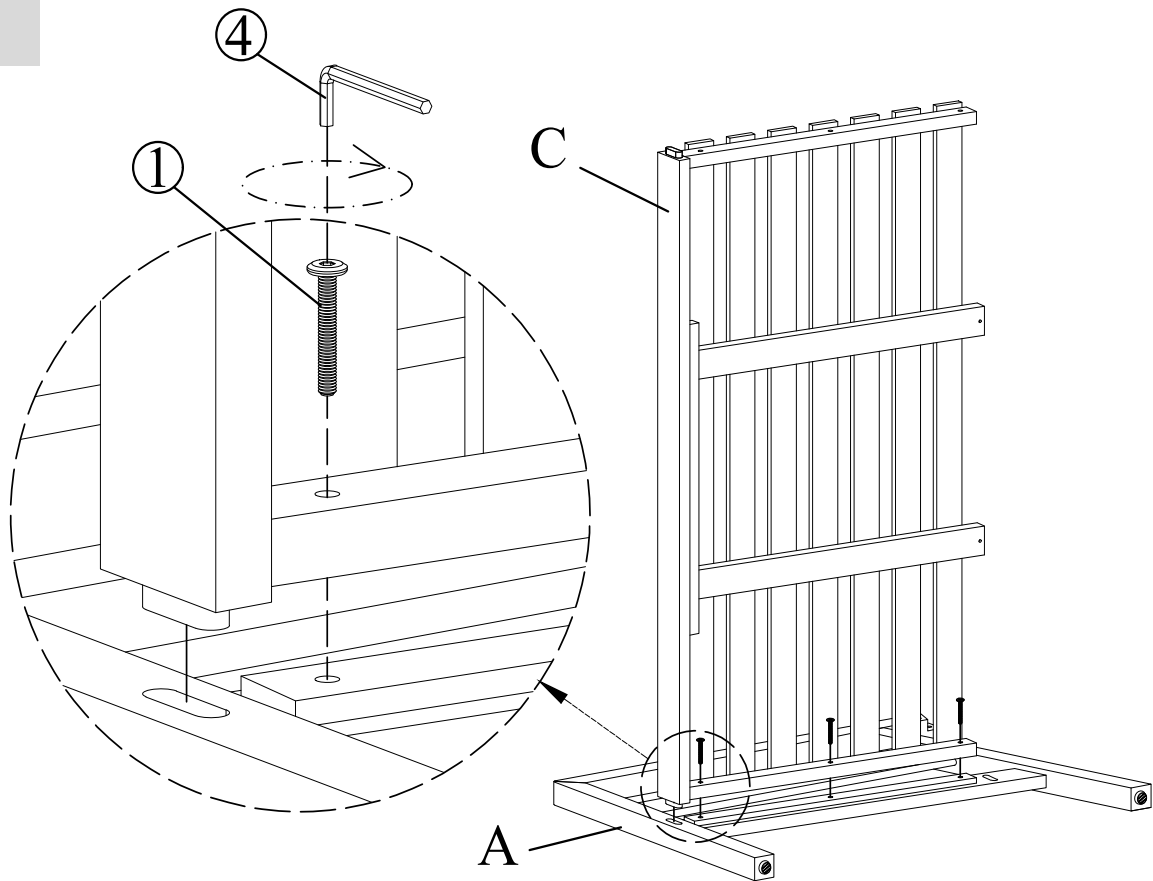
This Loveseat has multiple parts and may require up to 30 minutes to assemble. To give you an overview of the Loveseat parts, the above picture is to help you put the various parts into perspective. Please read through the instructions below to familiarise yourself with the parts and steps before assembly.

## Step 1



Unpack and place all parts on a clean, non-marring surface.

## Step 2

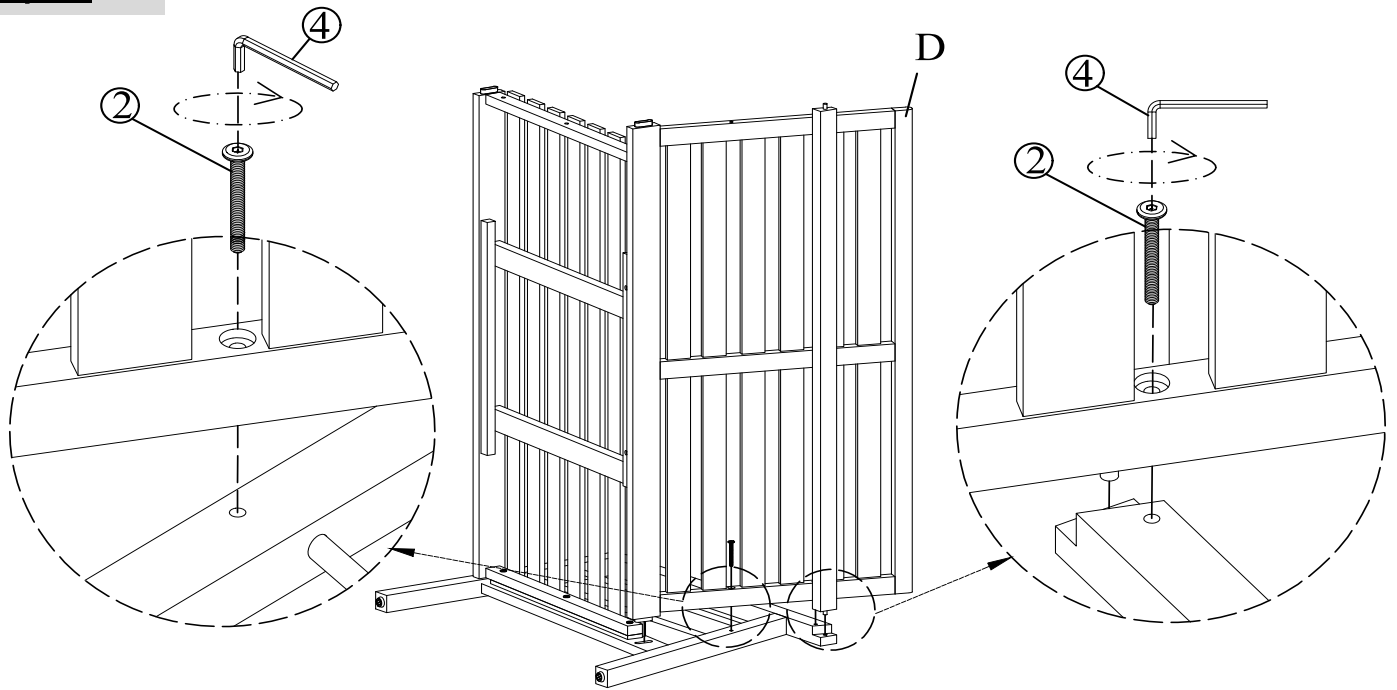


Place the Left Side Panel (A) facedown on a clean, non-marring surface as shown above.

With assistance from your adult partner, align the mouting of Seat Panel (C) to the positioning of Left Side Panel (A), then secure them by using Bolt (1) and Allen Wrench (4) as shown above.

**Do not fully tighten the Bolts.**

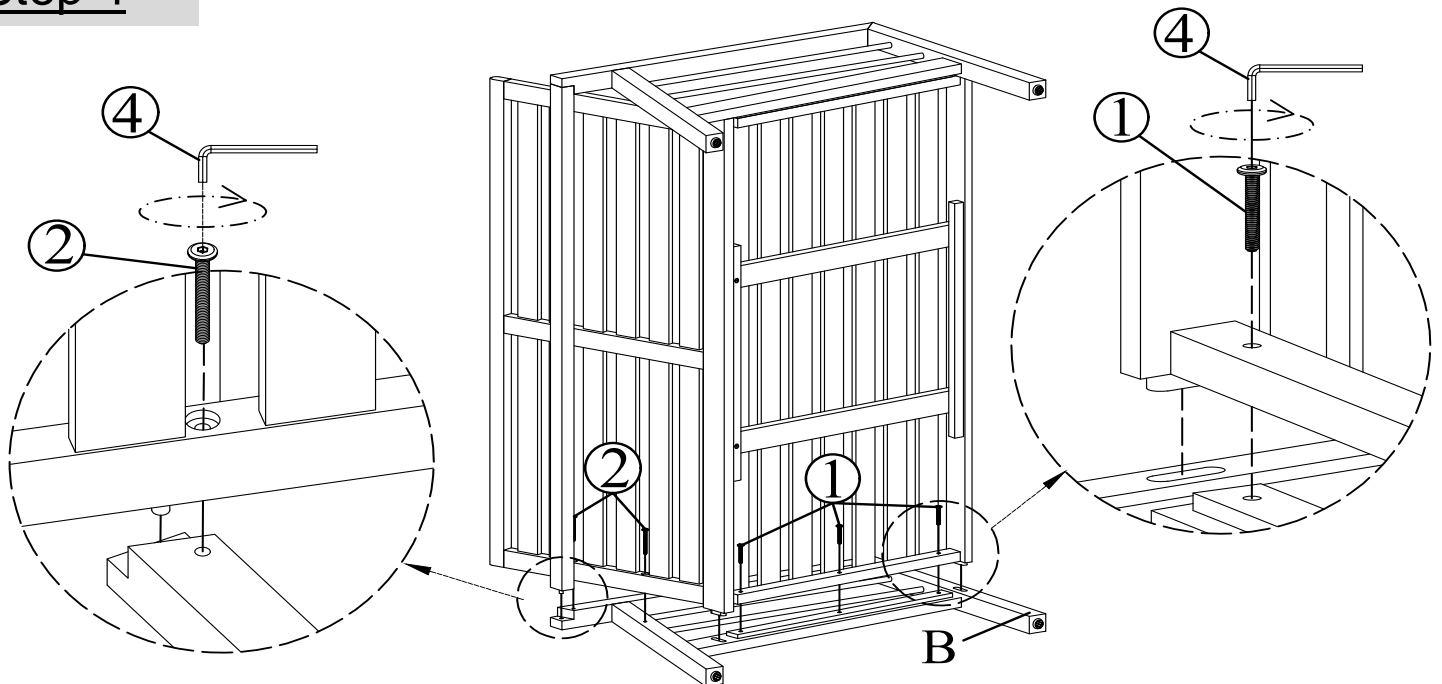
### Step 3



With assistance from your adult partner, align the mouting of the Backrest Panel (D) to the positioning of the Left Side Panel (A), then secure them by using Bolt (2) and Allen Wrench (4) as shown above.

**Do not fully tighten the Bolts.**

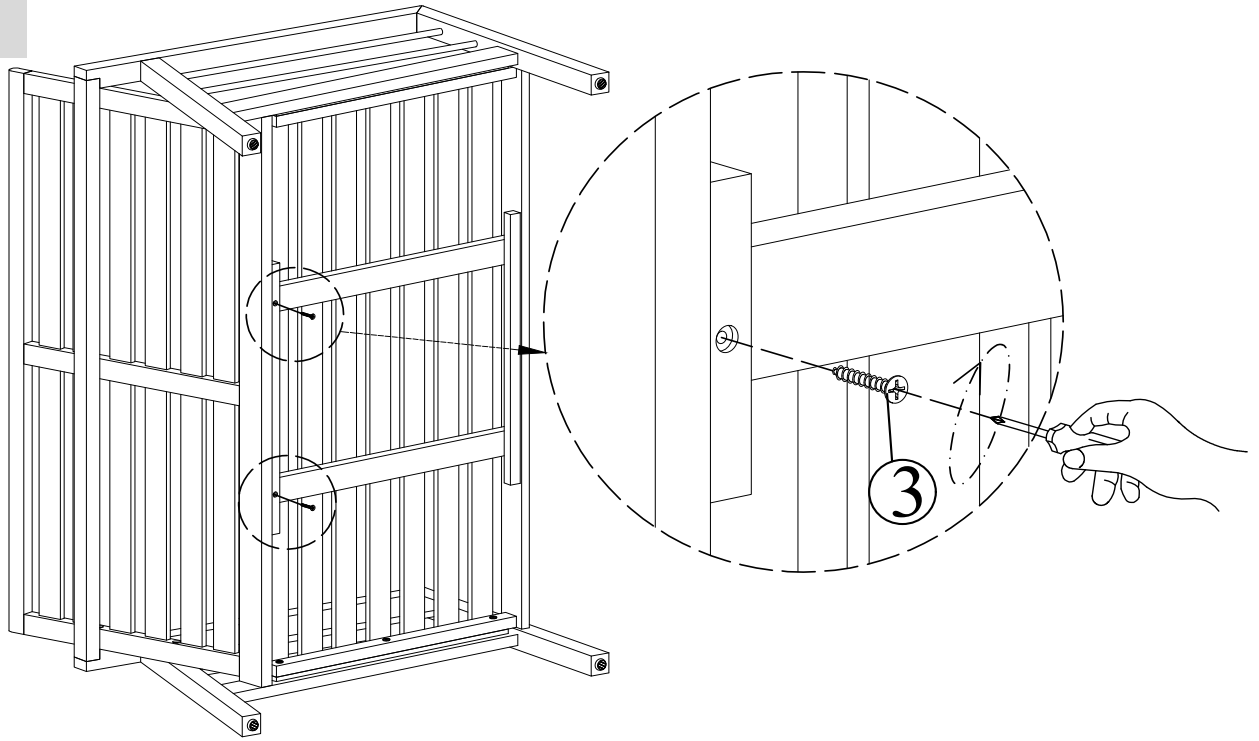
### Step 4



With assistance from your adult partner, attach the assembled part from step 3 to Right Side Panel (B) by using Bolt (1), Bolt (2) and Allen Wrench (4) as show in picture above.

**Do not fully tighten the Bolts.**

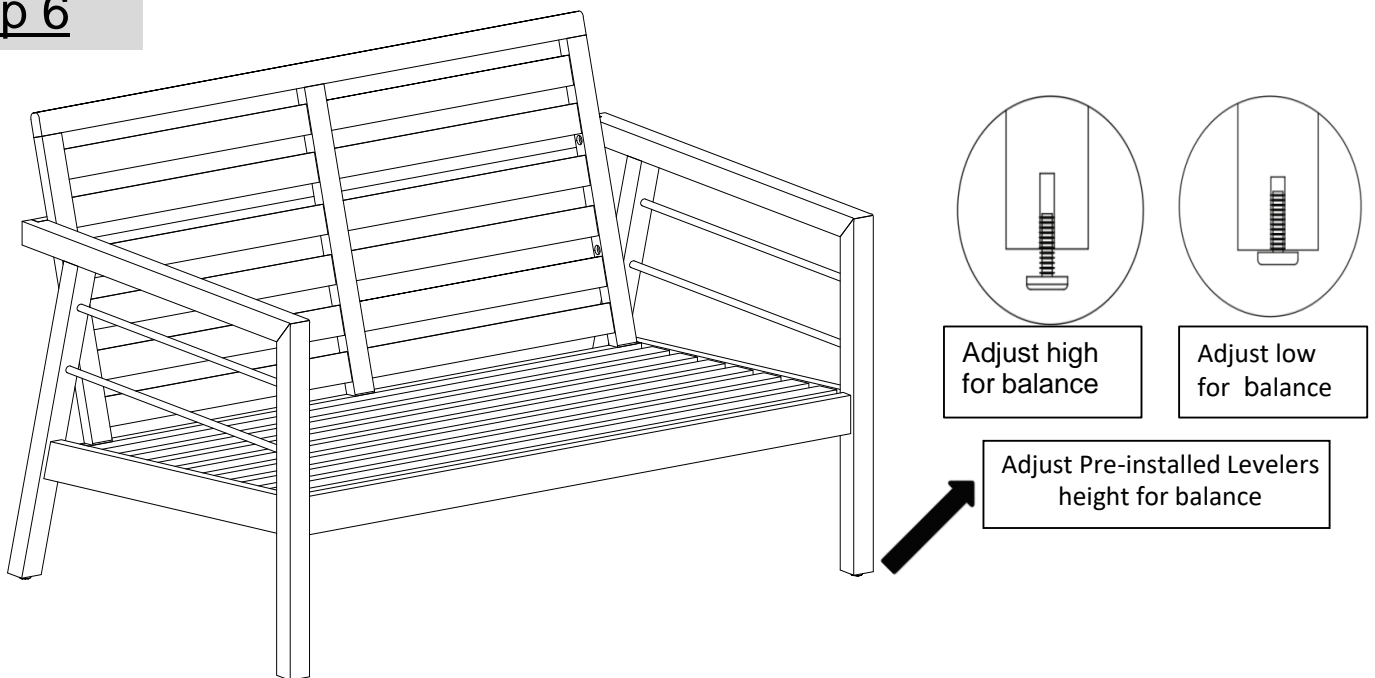
## Step 5



Then align the Seat Panel (C) and Backrest Panel (D) by using Self Tapping Screws (③) as show in picture above.

**Do not fully tighten the Bolts.**

## Step 6



Turn the Loveseat right side up.

EXERT pressure, floorwards onto the Loveseat with both hands..

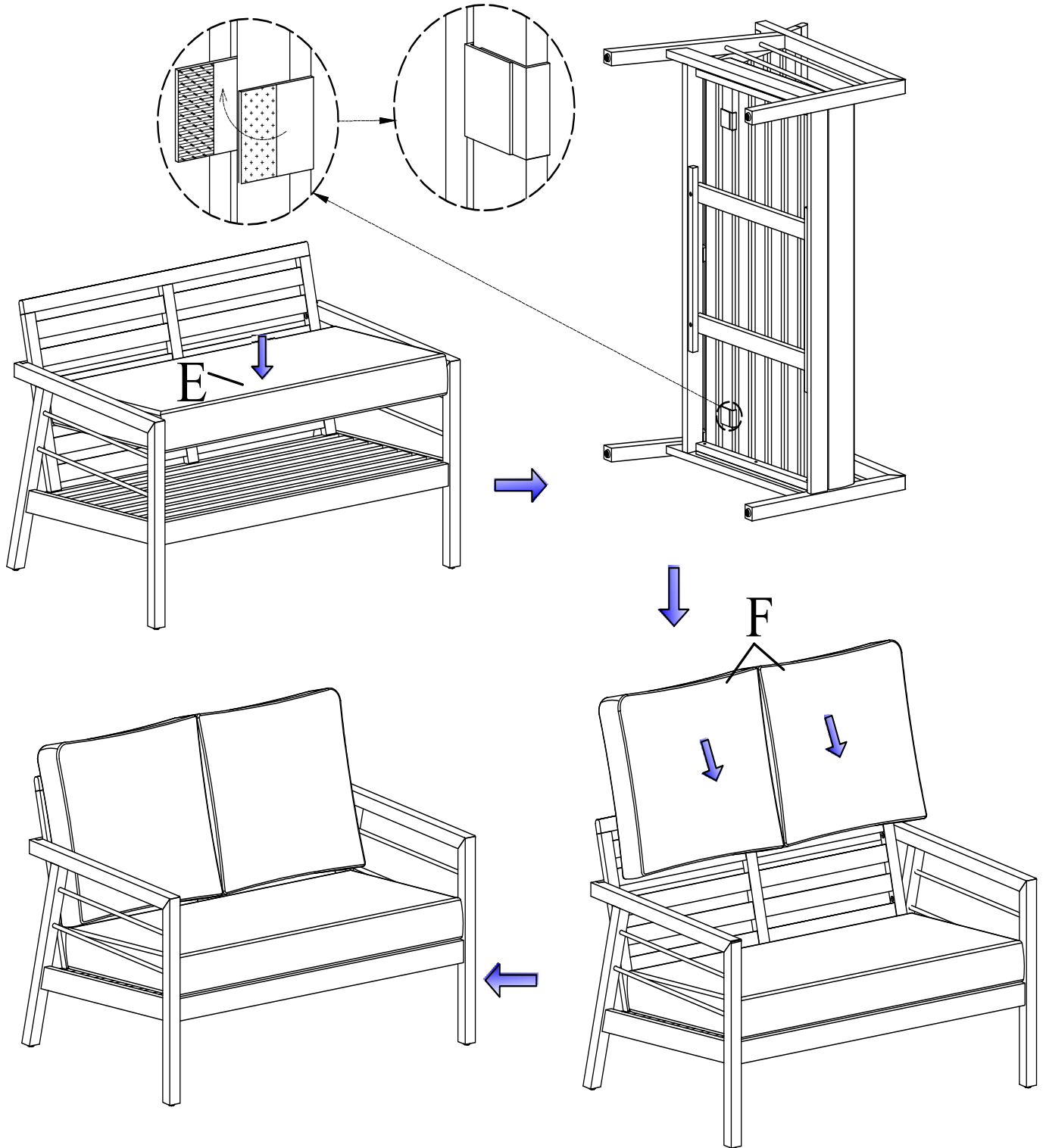
This pressure will help the Loveseat reach full alignment at all joints.

Check for wobbles.

Inspect the Loveseat and make sure all parts are adequately connected.

In a sequential manner, tighten ALL Bolts at ALL joints.

## Step 7












Place the Seat Cushion (E) onto the Loveseat and affix the magic tape straps around the Loveseat as shown above.

Then place the Back Cushion (F) onto the Loveseat.

**Your Loveseat is ready to be used.**

**This Loveseat can only be used on a flat, level surface.**

## Care & Maintenance

-  Do not put hot items directly on furniture surface
-  Do not clean furniture with harsh cleansers or polish.
-  To obtain the longest lifespan of your outdoor products, minimizing exposure to direct sunlight is recommended.
-  Children should not climb or jump on the furniture.
-  Do not write on furniture without a padded barrier to protect the surface.
-  To obtain the longest lifespan of your outdoor products, avoid extended and lengthy exposure to rain, snow, and direct sunshine. Whenever possible cover the product and /or place under patio or awnings.
-  Not for commercial use. For residential use only .
-  Stains may be removed with mild soap solution and damp cloth.
-  Dust and pick-up spills using a clean, non-colored, lint-free cloth.