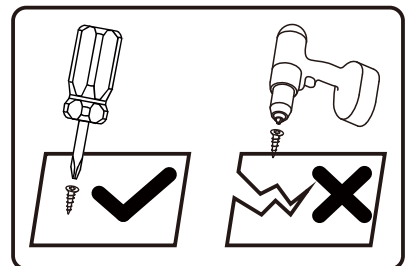
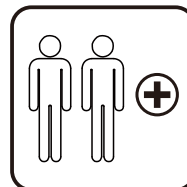
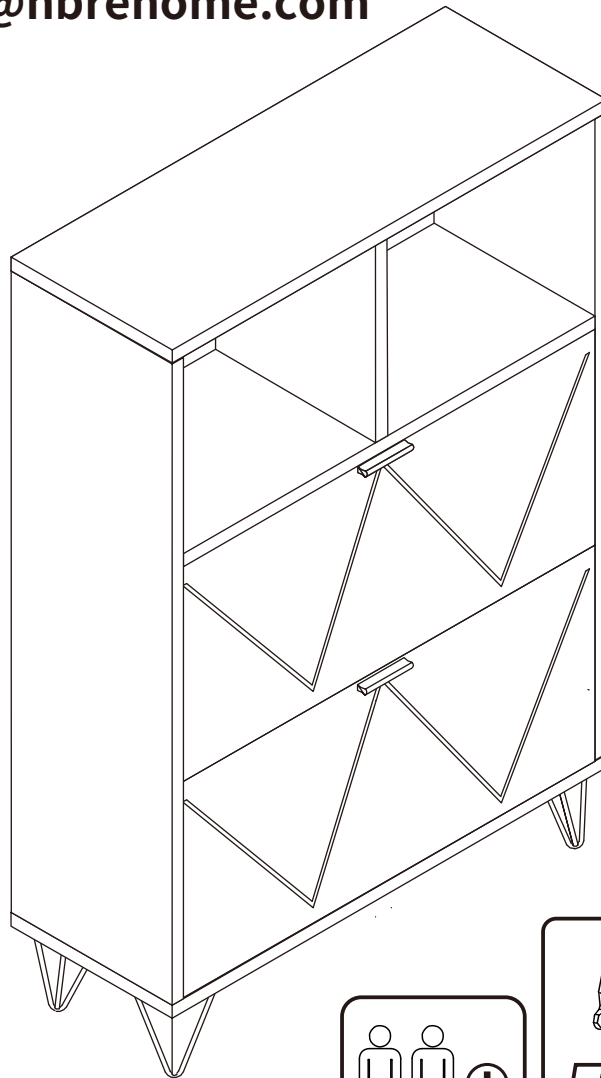


ASSEMBLY INSTRUCTIONS

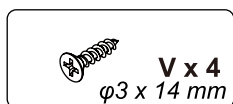
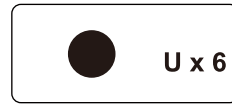
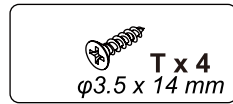
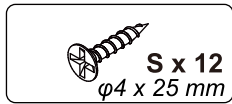
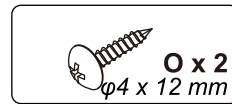
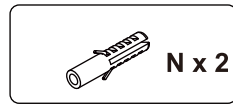
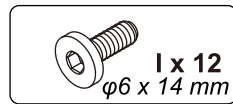
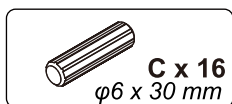
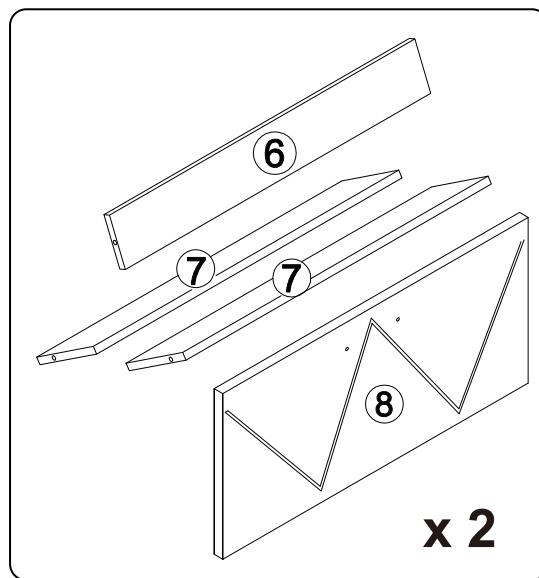
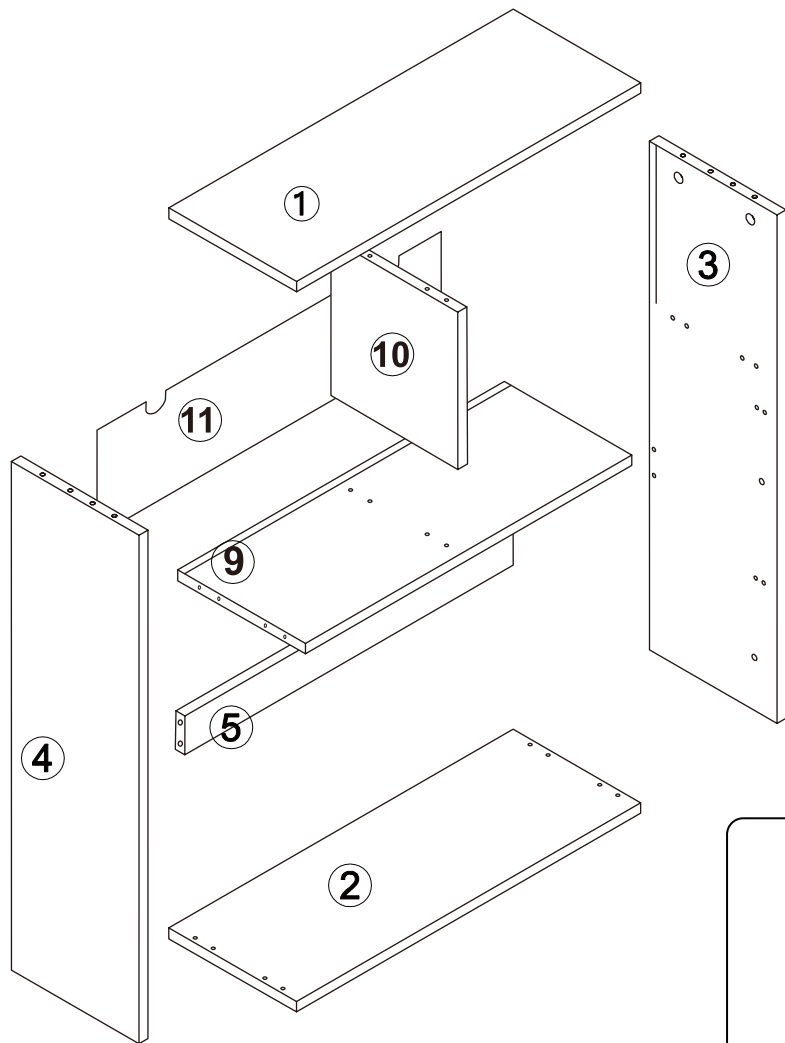
Customer Service : cs@nbrehome.com



Tools Recommended

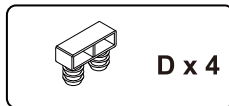
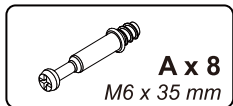
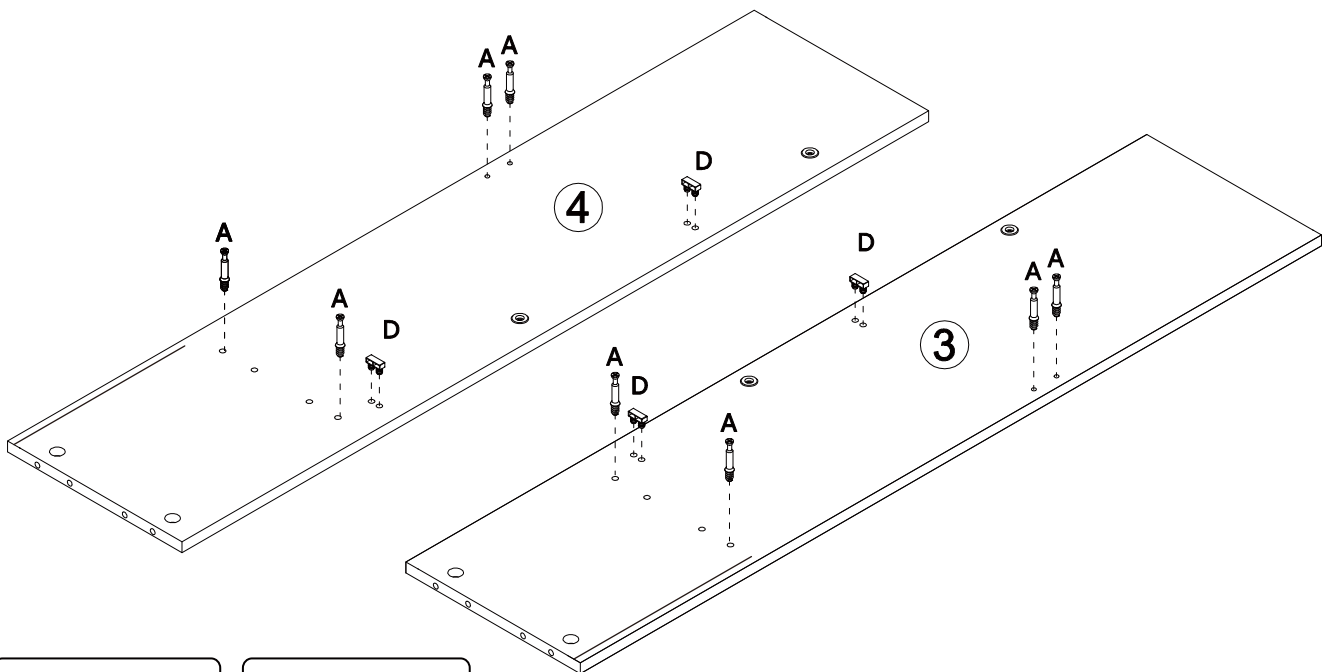
THIS INSTRUCTIONS CONTAINS IMPORTANT SAFETY INFORMATION.
PLEASE READ BEFORE ASSEMBLY AND KEEP FOR FUTURE REFERENCE.

Need Parts or Assistance? Email us : cs@nbrehome.com



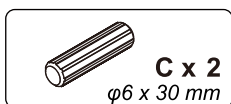
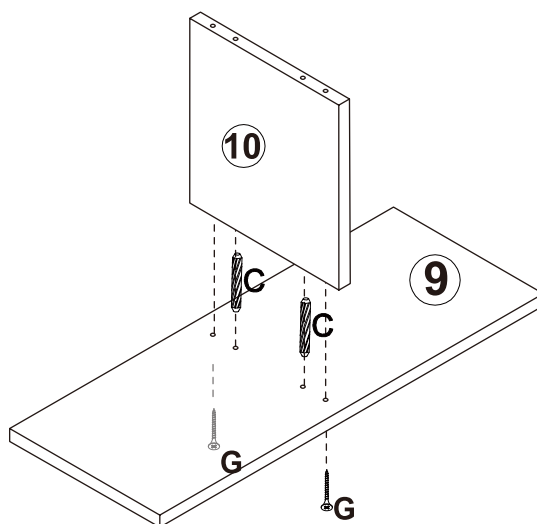
Step 1

Insert quickfit screws (A) and hardware (D) into corresponding holes in parts ③ & ④ as shown.



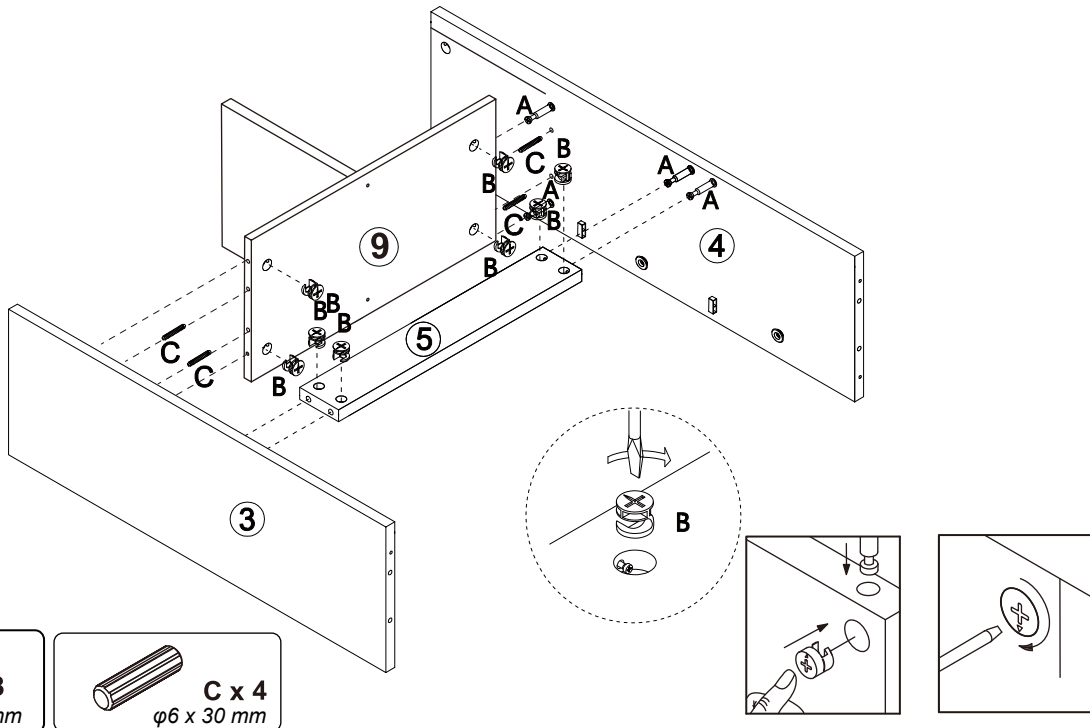
Step 2

Insert the wooden dowels (C) into the corresponding holes to connect parts ⑨ & ⑩. Then install screws (G).



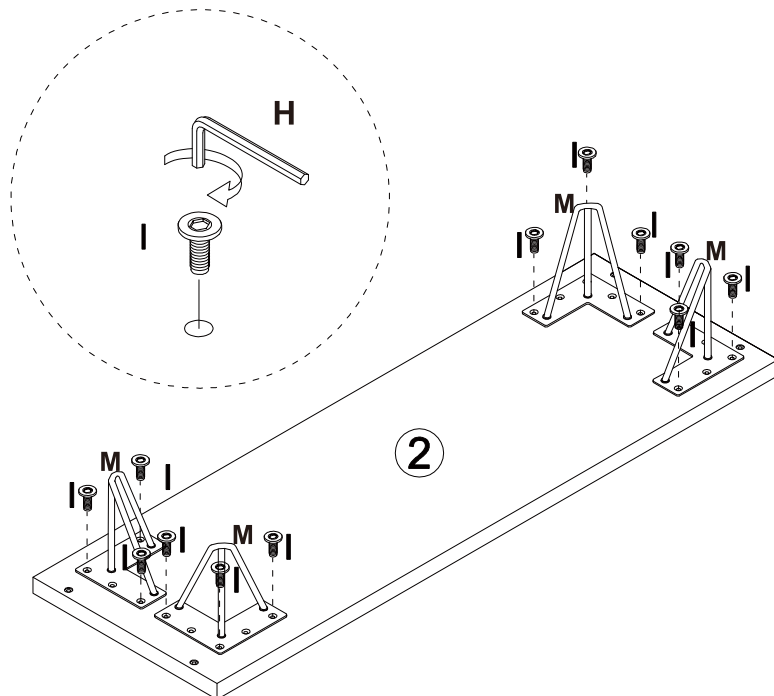
Step 3

Insert the wooden dowels (C) into part ⑨ first. The screws (A) installed in parts ③ & ⑧ (Step 1) should be inserted into corresponding holes of parts ⑤ & ⑨. Place screws (B) in holes, and turn one-half turn (shown in the small picture) to secure screws (A) in place.



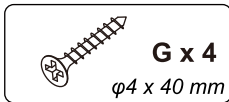
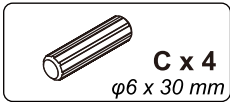
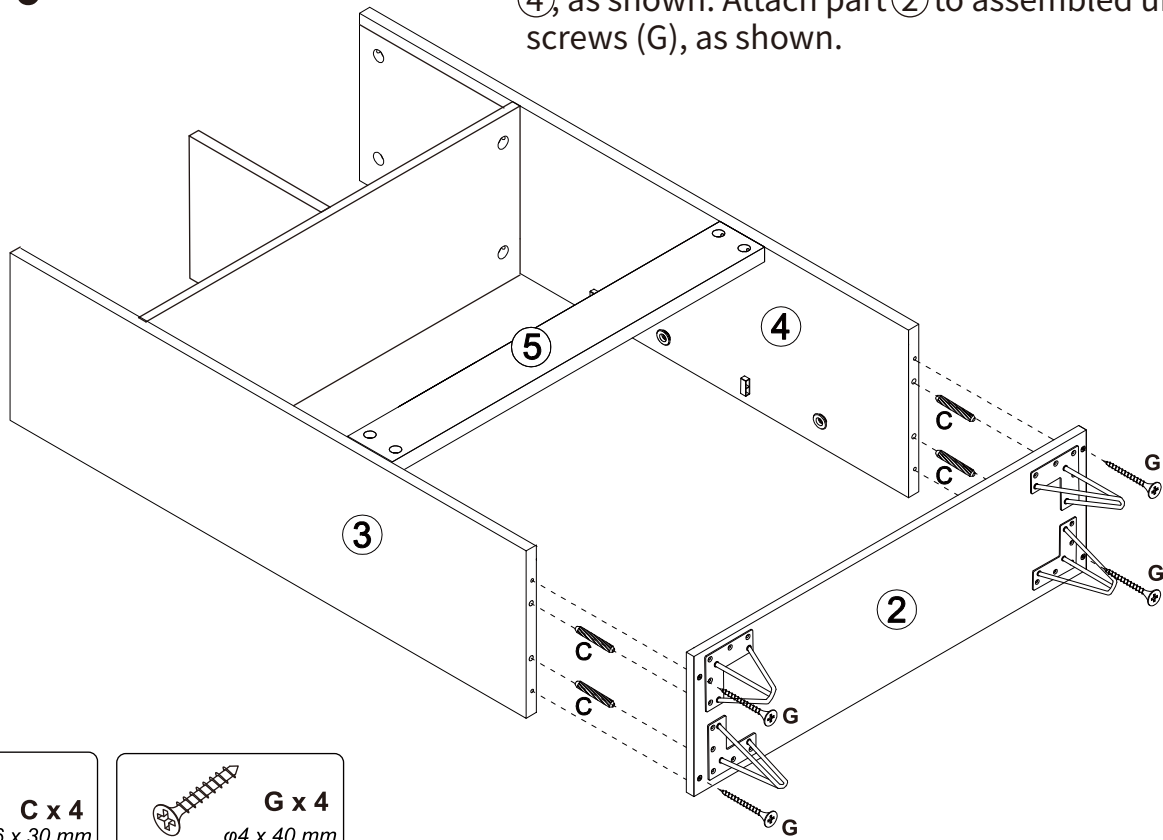
Step 4

Attach legs (M) to the part ② with bolts (I) and tighten with an Allen key (H).



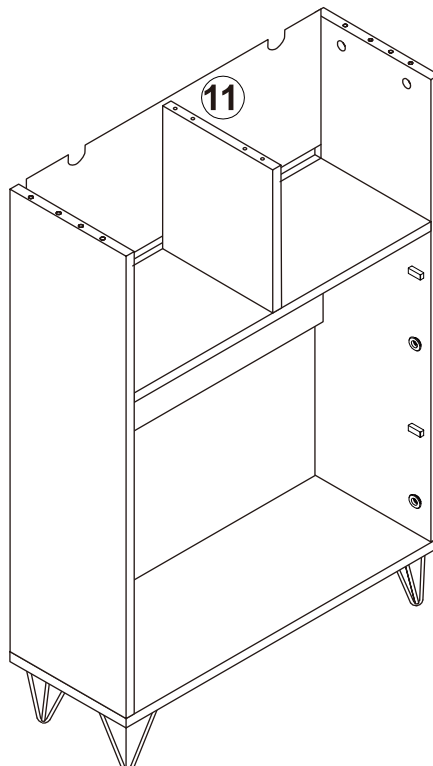
Step 5

Insert wooden dowels (C) into assembled parts ③ & ④, as shown. Attach part ② to assembled unit using screws (G), as shown.



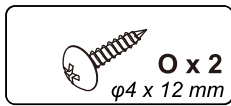
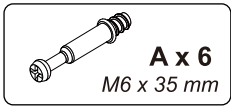
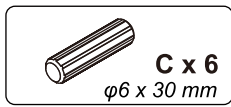
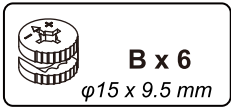
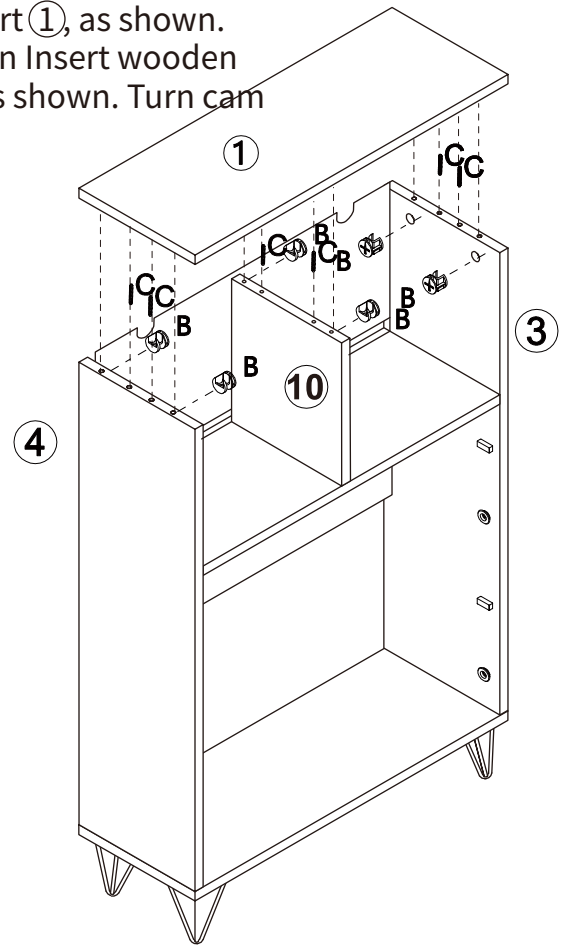
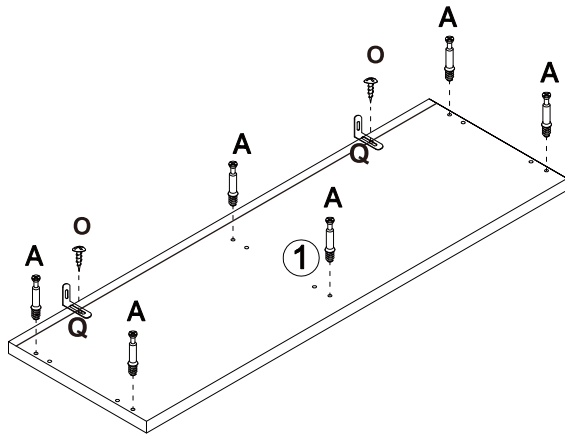
Step 6

Slide part ⑪ into assembled unit as shown.

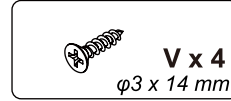


Step 7

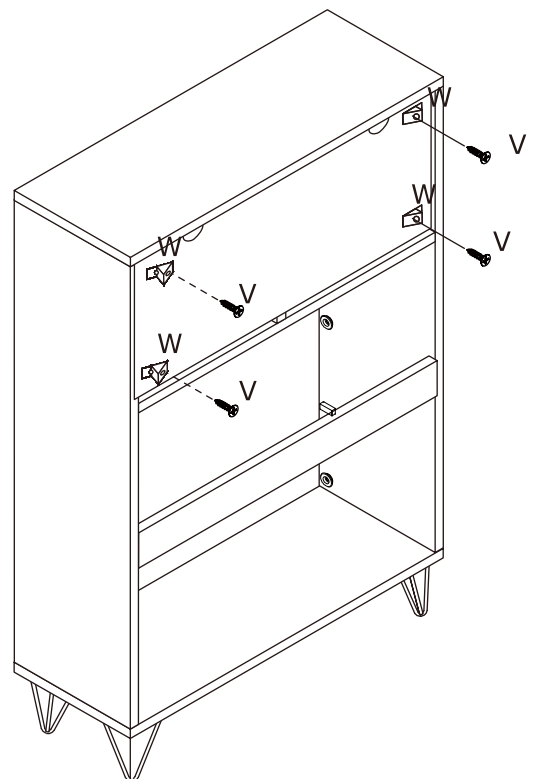
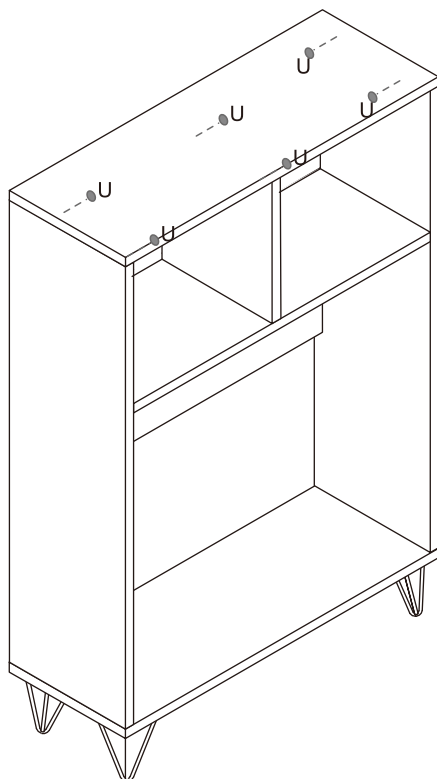
Insert quickfit screws (A) into corresponding holes in part ①, as shown. Fixing Anti-toppling iron sheets (Q) with screws (O). Then Insert wooden dowels (C) into the assembled units part ③ & ④ & ⑩, as shown. Turn cam locks clockwise (B) to tighten.



Step 8

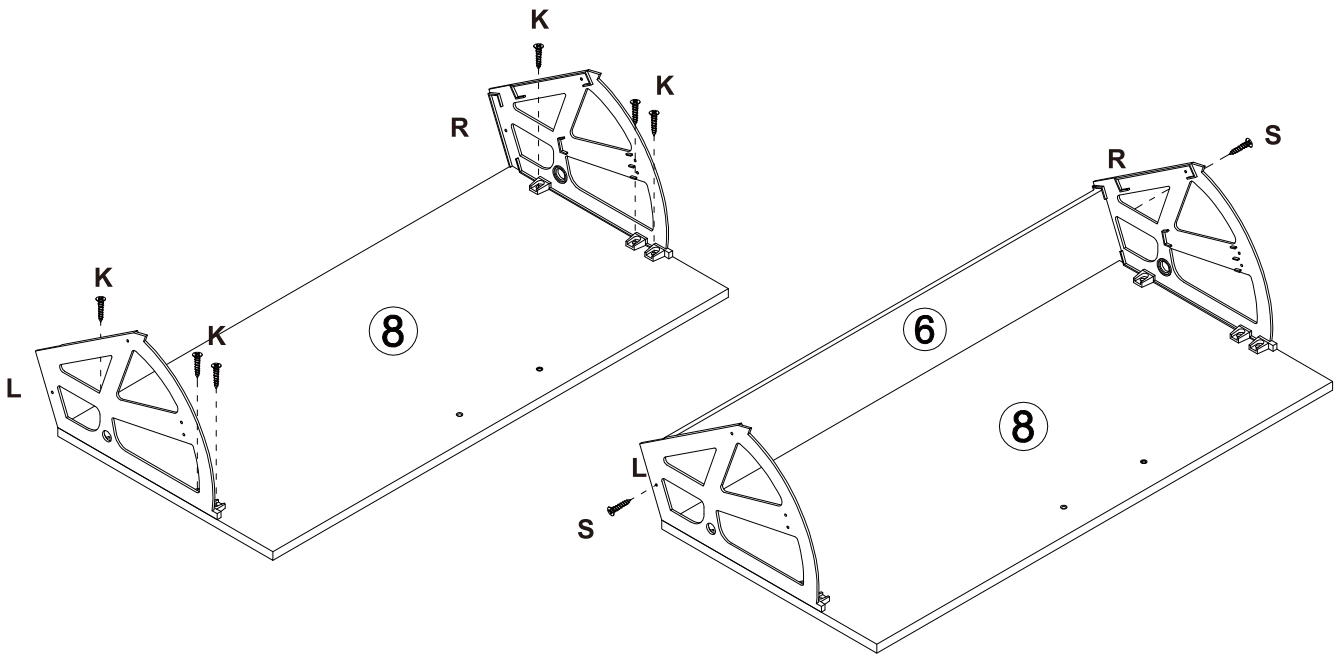


Insert buckle (W) into back slots and fix with screw (V) as shown. Using paster (U) to shield holes.



Step 9

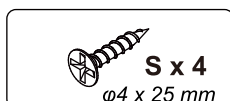
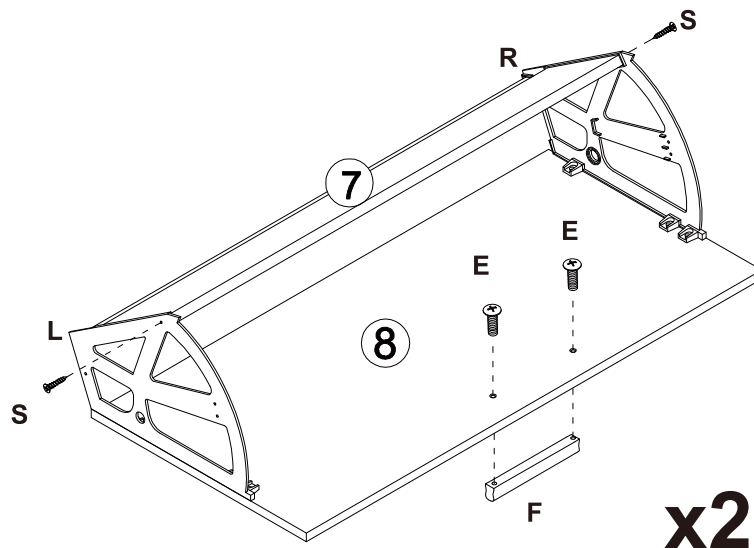
Attach shoe rack sheets (L) & (R) to the part ⑧ with screws (K). Attach shoe rack sheets (L) & (R) to the part ⑥ with screws (S).



x2

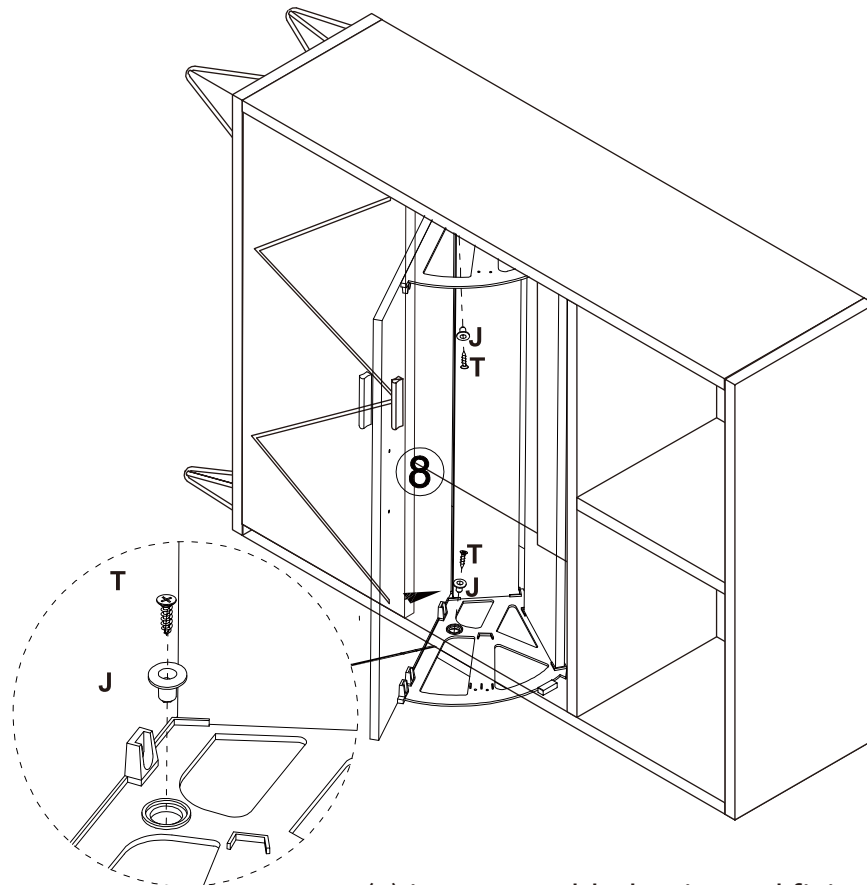
Step 10

Attach handle (F) to the part ⑧ with bolts (E). Attach shoe rack sheets (L) & (R) to the part ⑦ with screws (S).

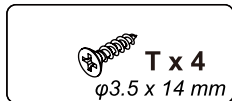


x2

Step 11

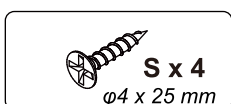
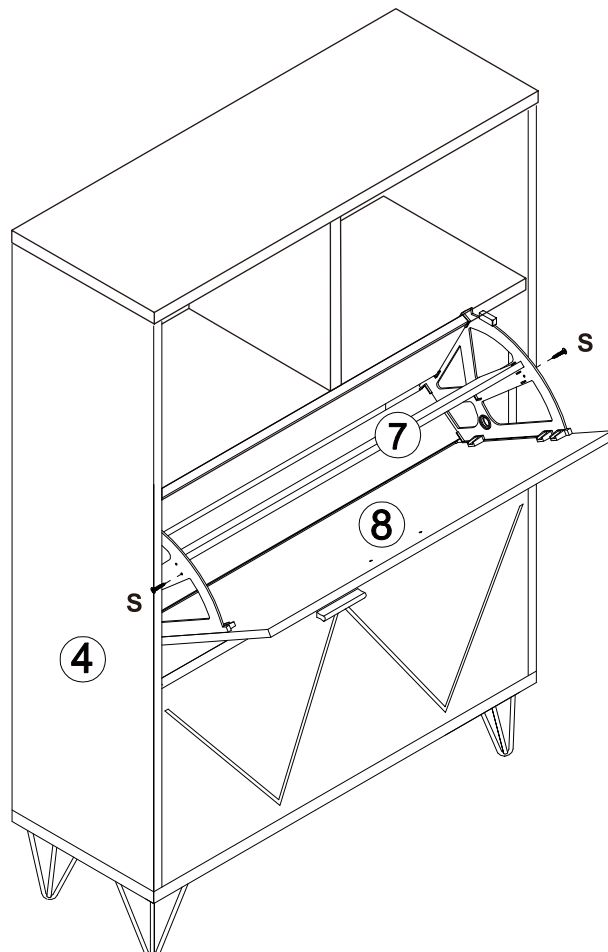


Insert (J) into assembled units and fixing with screws (T).



Step 12

Insert quickfit screws (S) into corresponding holes in part (7), as shown.



Step 13

Firstly determine the hole position of the wall, drill holes in the hole position, and insert the expansion scerw (N) into the wall. Secondly, place the shoe cabinet against the wall, and use screw (G) through the gasket to secure the shoe cabinet to the wall. The installation location is as shown in the figure below.

