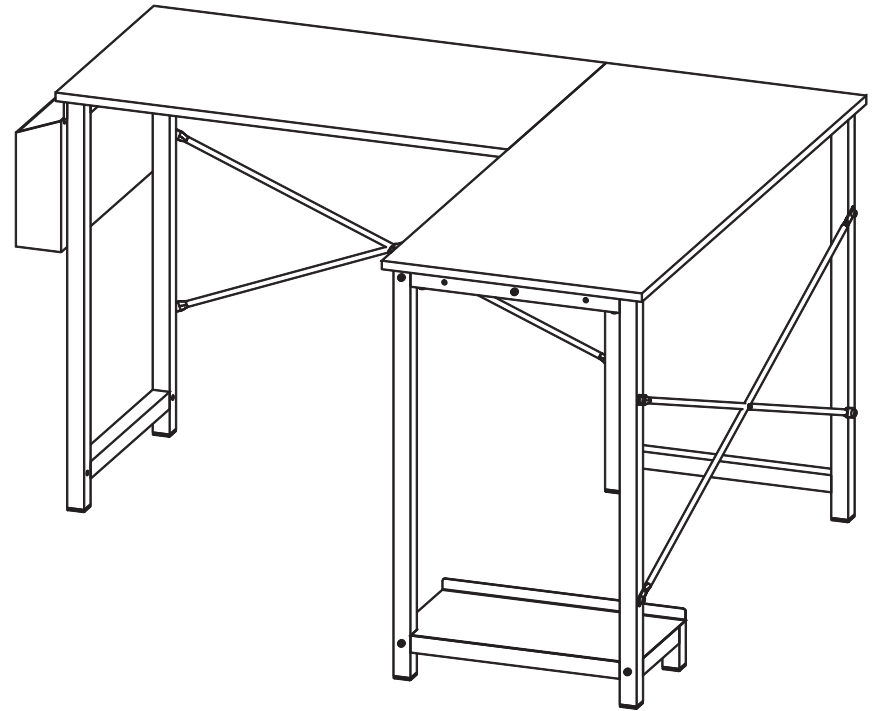
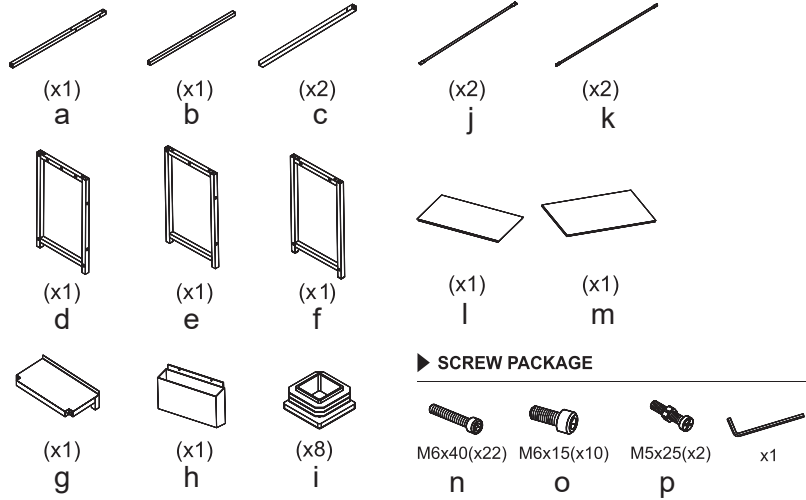


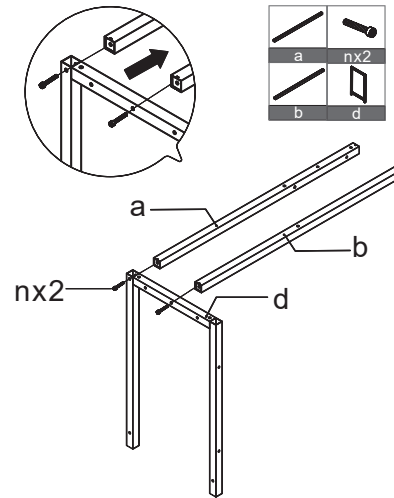
# ASSEMBLY INSTRUCTIONS



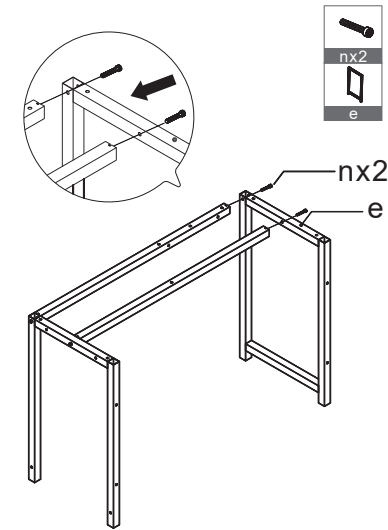
► PARTS INCLUDED



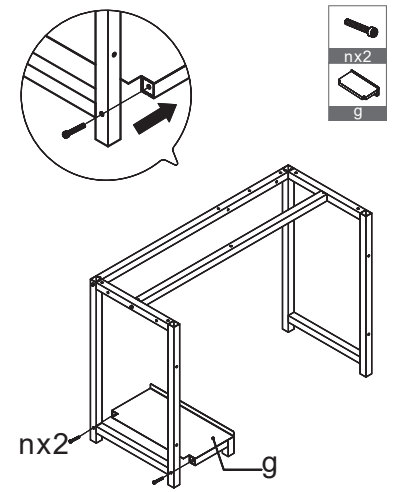
Step 1



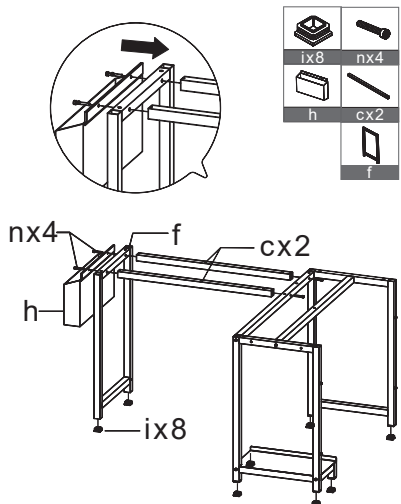
Step 2



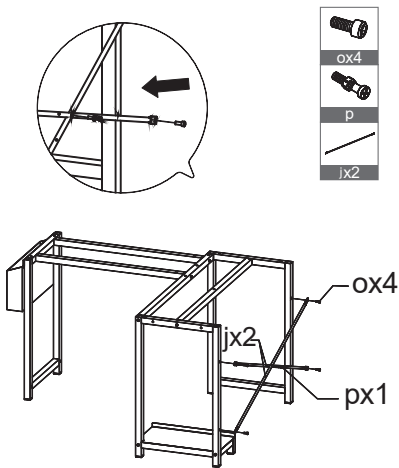
Step 3



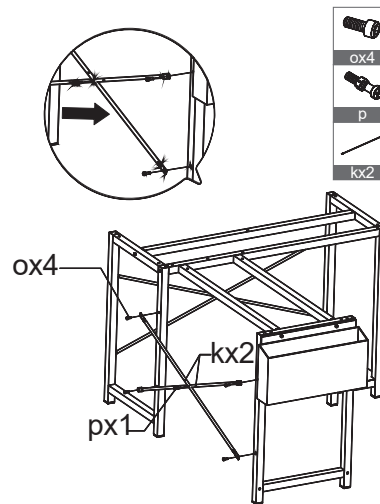
Step 4



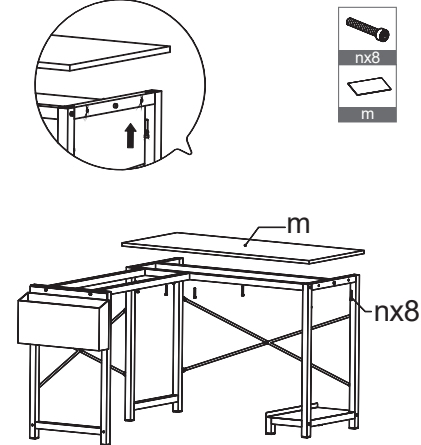
Step 5



Step 6



Step 7



Step 8

