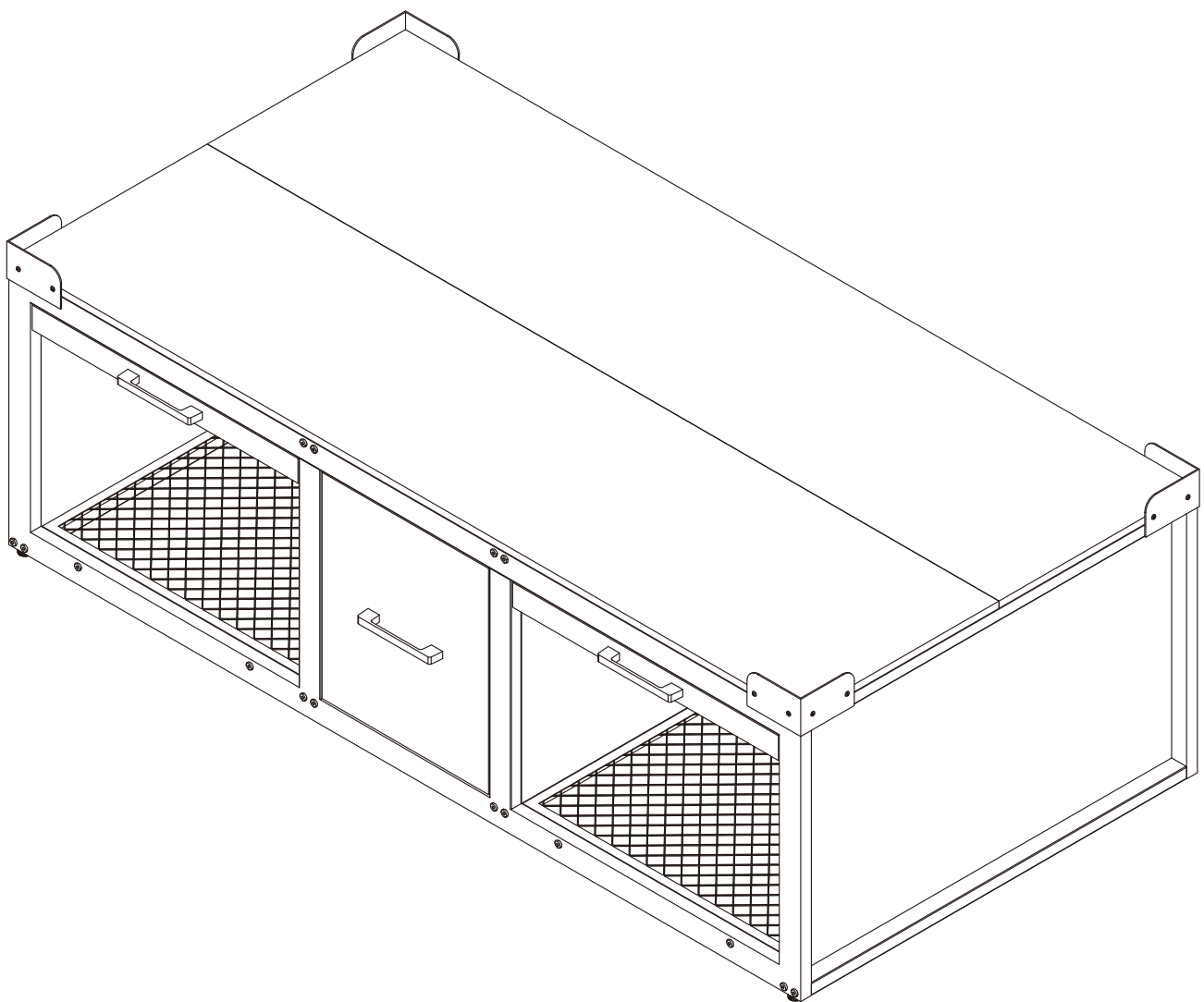


Installation instruction

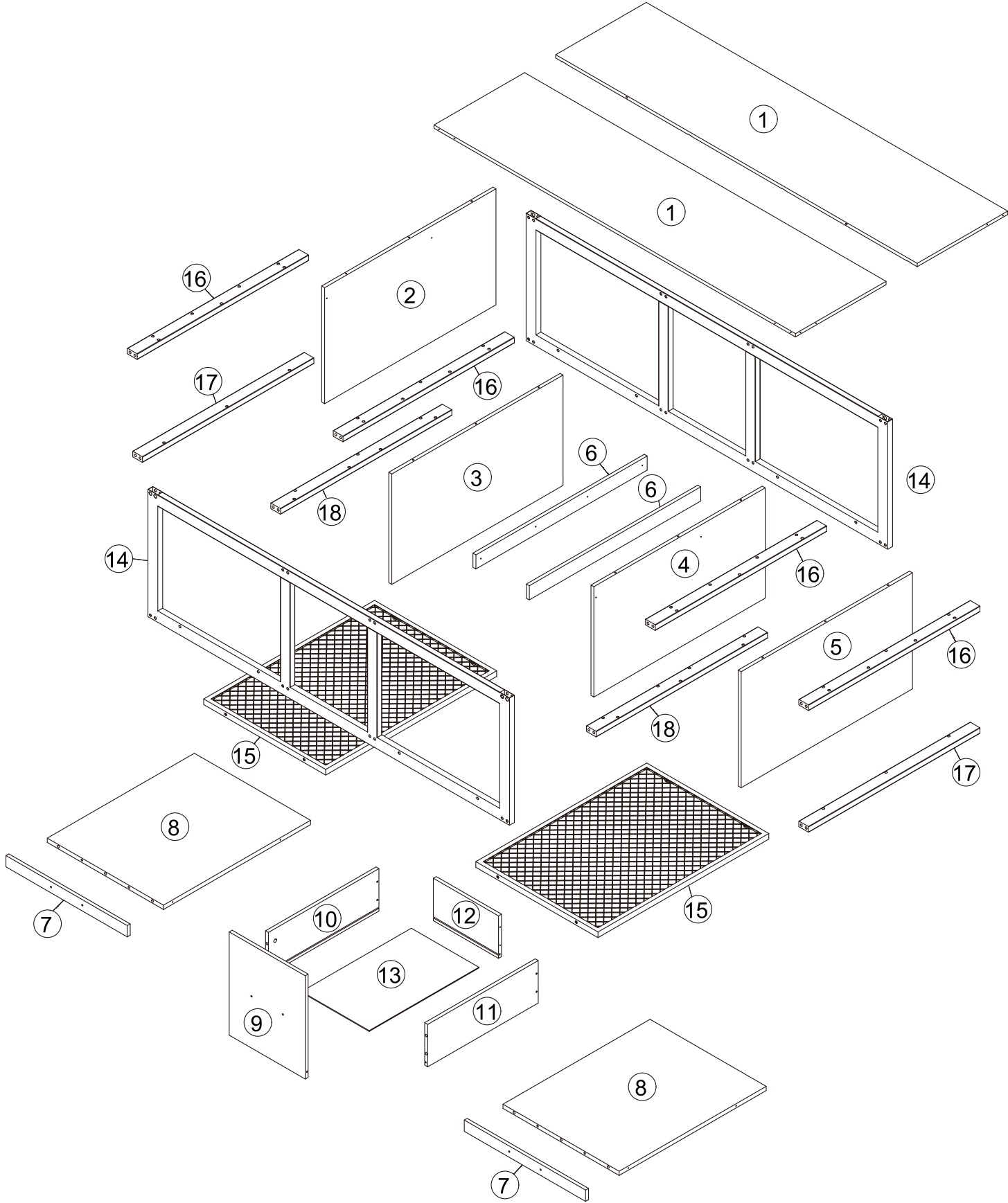
HOU874/HOU875






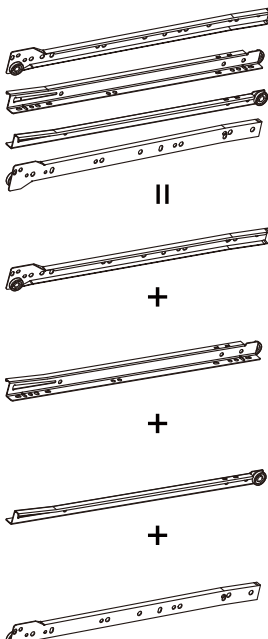
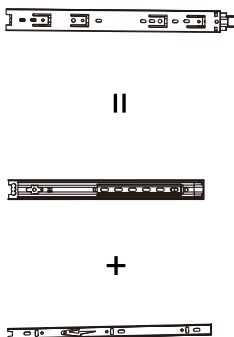
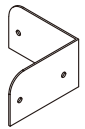


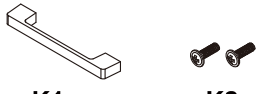

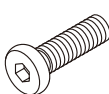
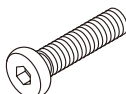

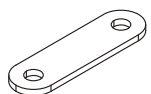


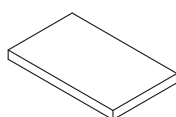
We come with the necessary tools for assembly but for faster assembly, a power drill is recommended.



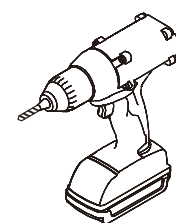
EXPLODED DRAWING:



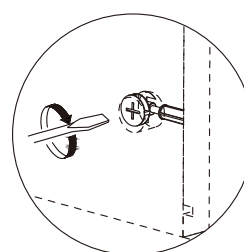
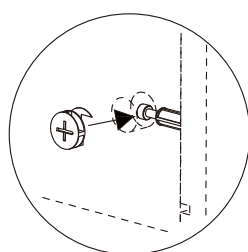
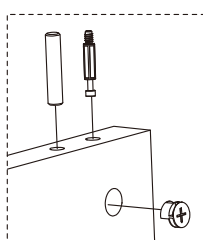
PARTS:

| | | |
|--|--|--|
|  <p>A X10₊₁ Ø6x35</p> |  <p>B X6₊₁ M6x30</p> |  <p>C X10₊₁ Ø12</p> |
|  <p>D X1</p> <p>CL + DL + DR + CR</p> |  <p>E X4</p> <p>X4 E1x4 + E2x4</p> |  <p>F X4</p>  <p>G X24₊₂ M4x11</p>  <p>H X16₊₂ M4x12</p> |
|  <p>K X3</p> <p>K1 K2₊₁ M4x12</p> |  <p>L X6₊₁ M6x10</p> |  <p>M X24₊₂ M6x28</p> |
|  <p>N X32₊₂ M6x35</p> |  <p>O X1</p> |  <p>P X3</p> |
|  <p>Q X4₊₁</p> |  <p>R X32₊₂ M6.3x50</p> |  <p>S X8₊₁</p> |

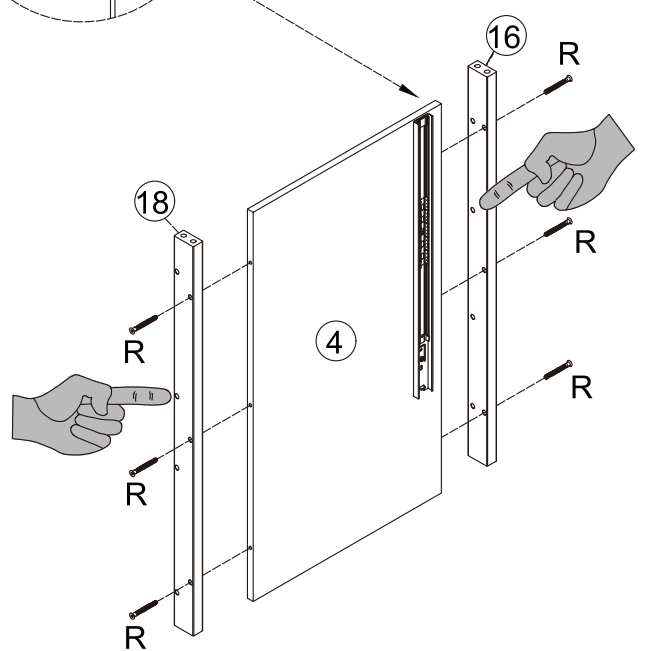
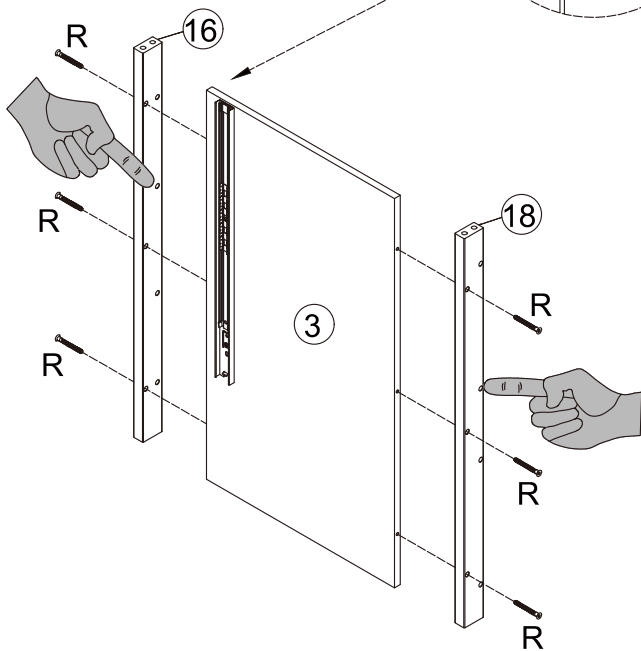
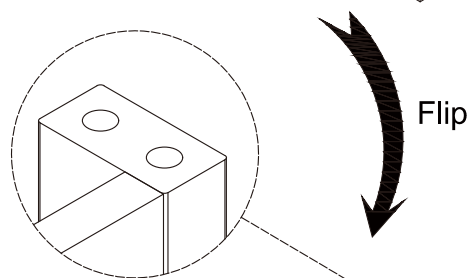
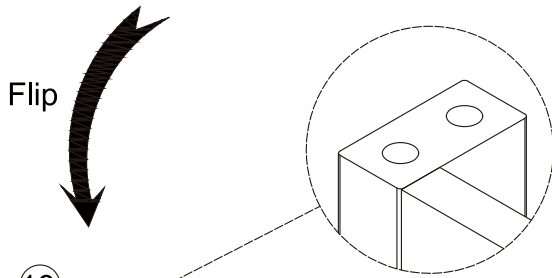
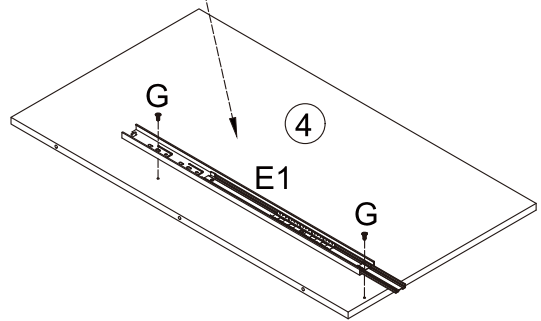
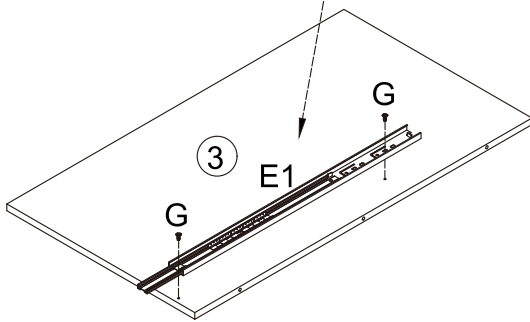
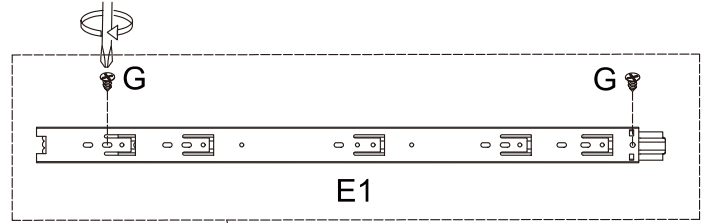
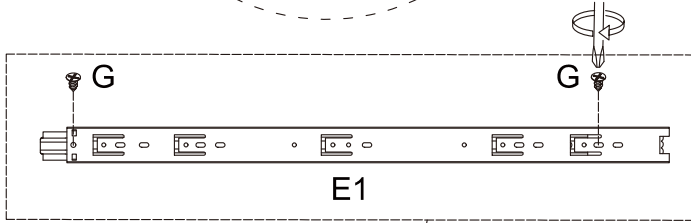
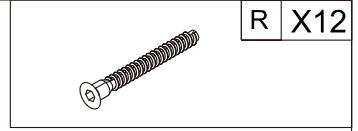
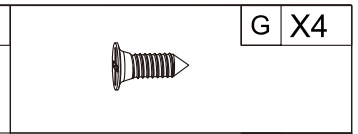
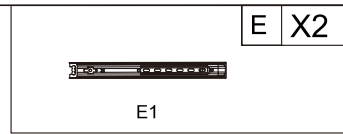
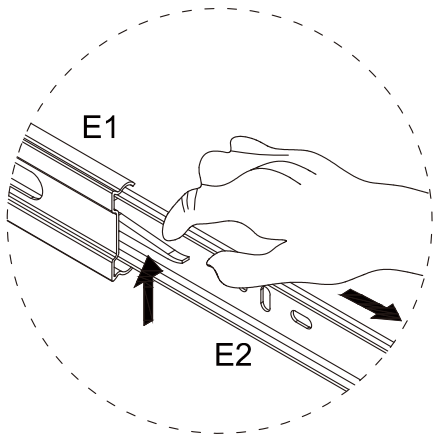
REMARK:



MINIFIX POSITION



1.



Install outer rail E1 x2 on Part #3 and Part #4 with Screws G x4 as shown. Then attach Part #16 and Part #18 to Part #3 with Screws R x6 as shown. Same way to attach Part #16 and Part #18 to Part #4 with Screws R x6 as shown.

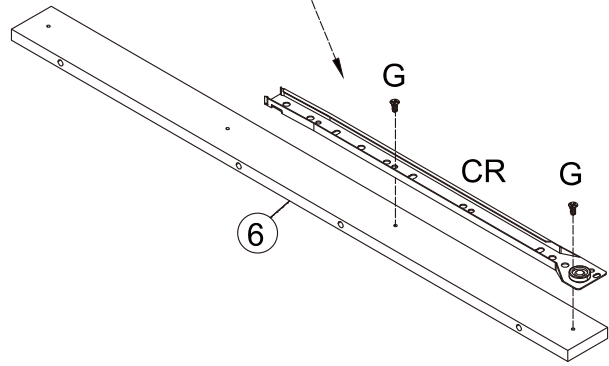
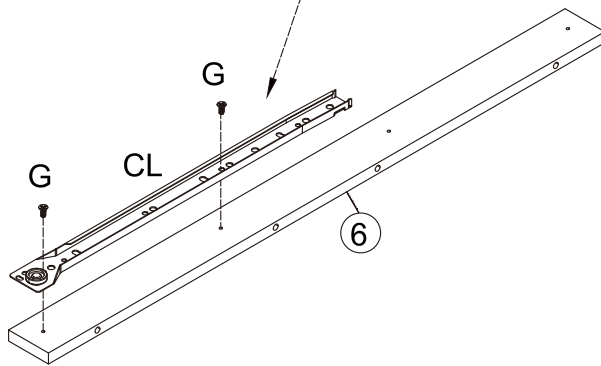
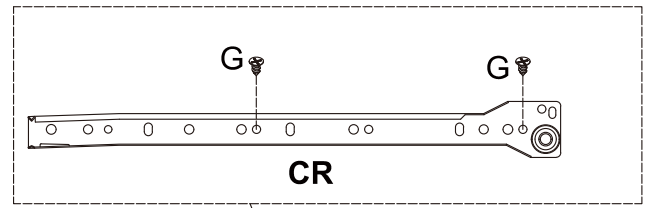
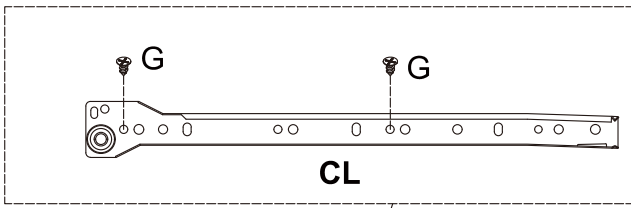
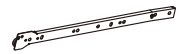
2.

G X4

CL X1



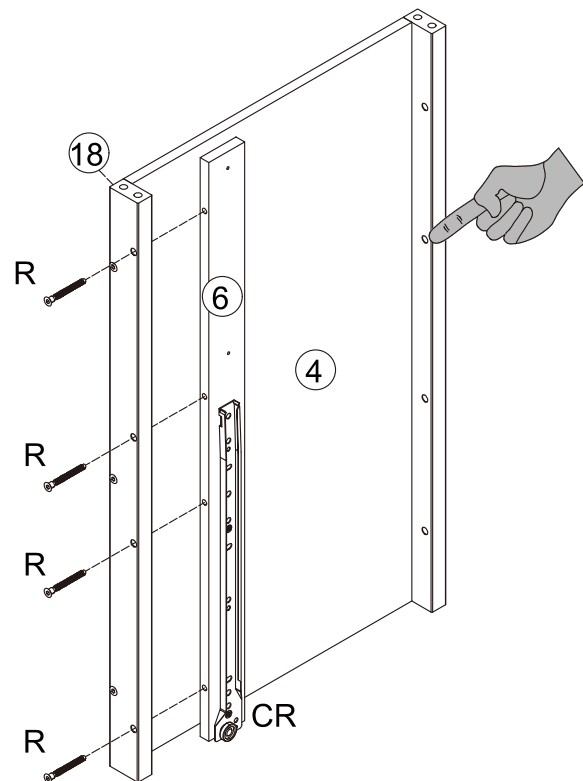
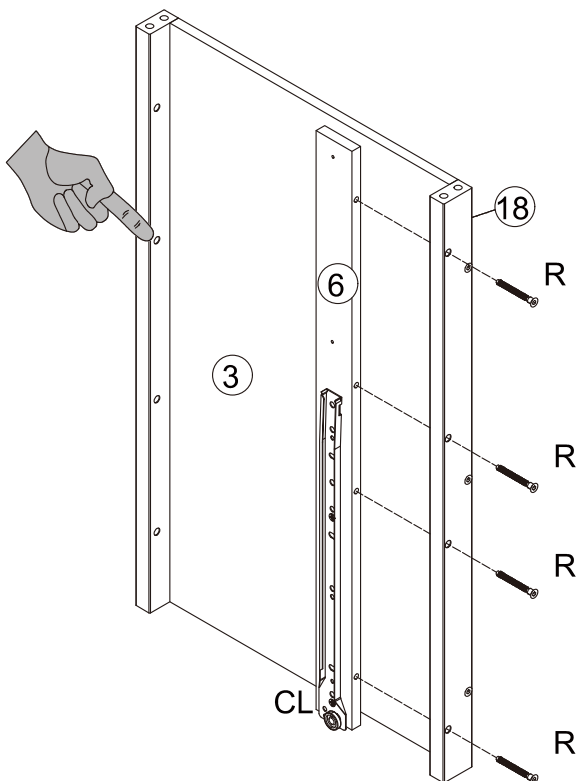
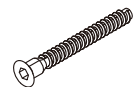
CR X1



Install rail CL on one Part #6 with Screws G x2 as shown.
Then install rail CR on the other Part #6 with Screws G x2 as shown.

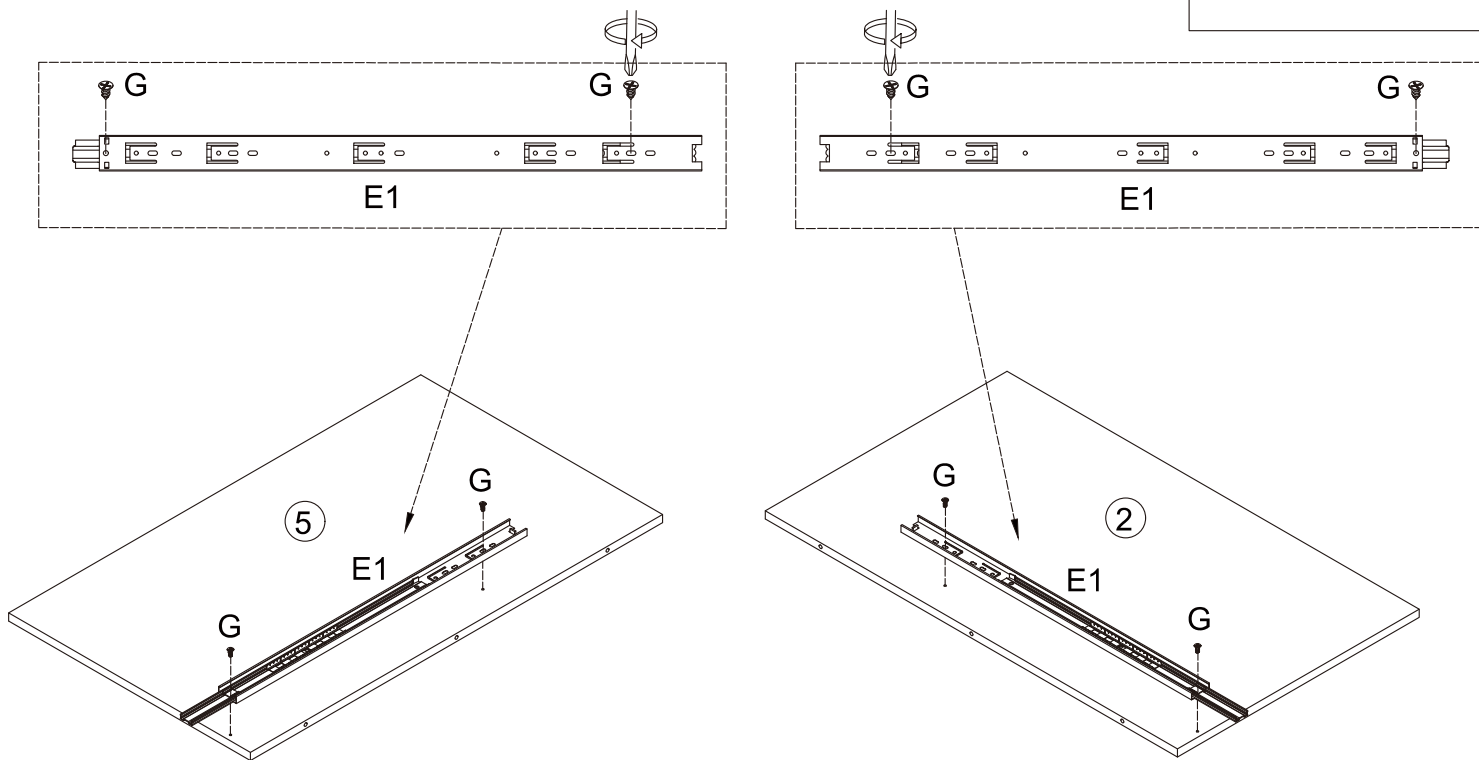
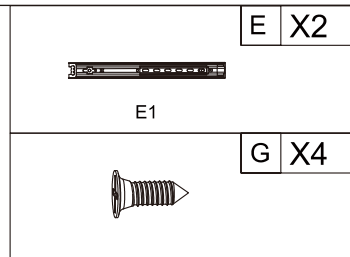
3.

R X8



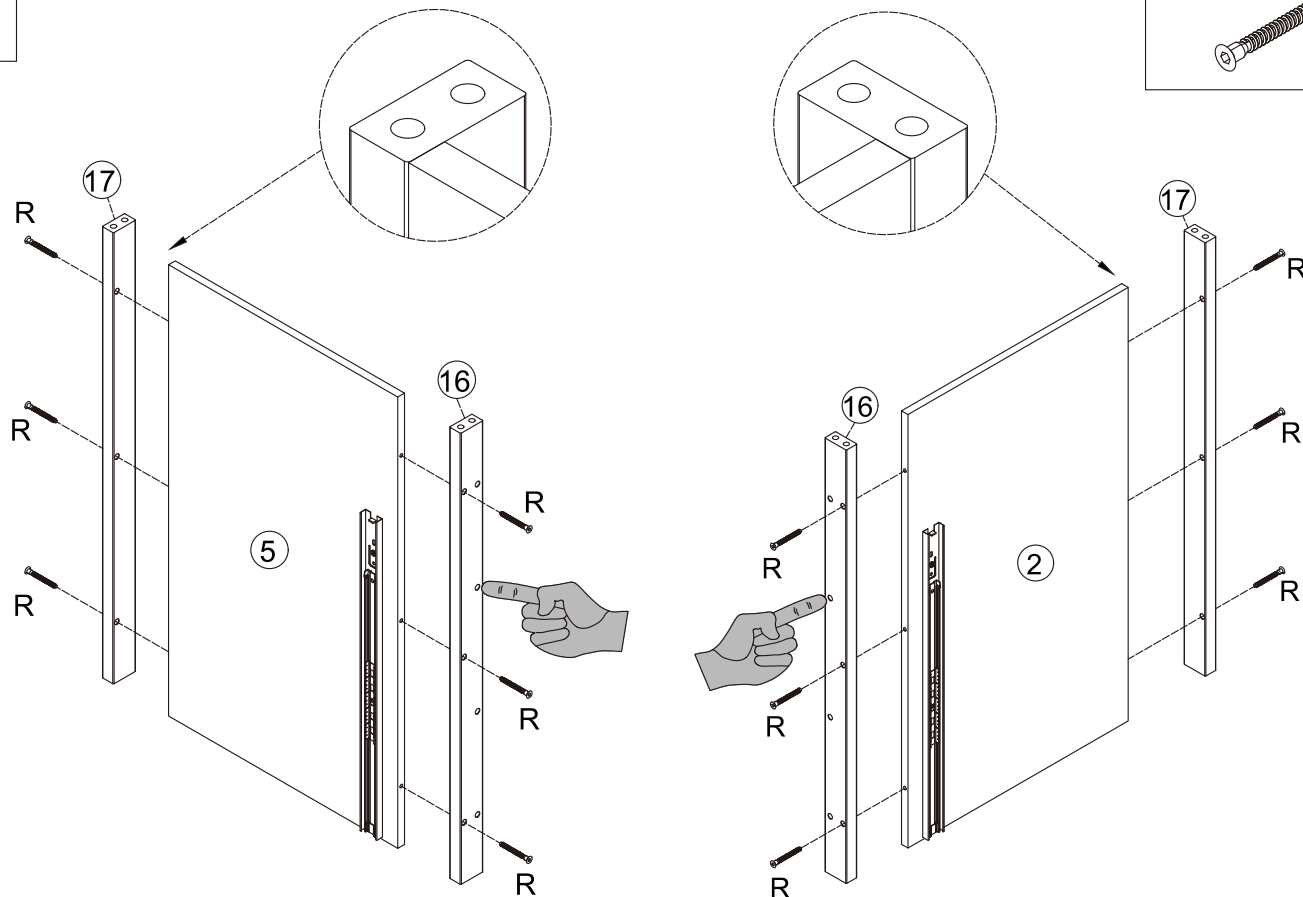
Attach Part #6 x2 to Part #3 and Part #4 with Screws R x8 as shown.

4.



Install outer rail E1 x2 on Part #5 and Part #2 with Screws G x4 as shown.

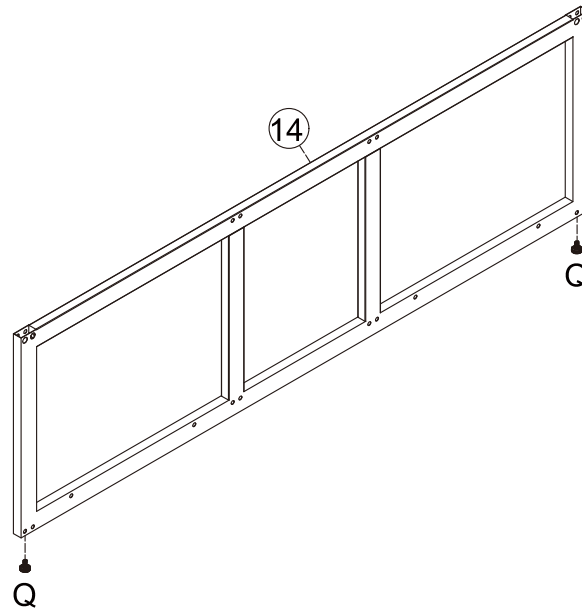
5.



Attach Part #16 and Part #17 to Part #5 with Screws R x6 as shown.
 Same way to attach Part #16 and Part #17 to Part #2 with Screws R x6 as shown.

6.

Q X4

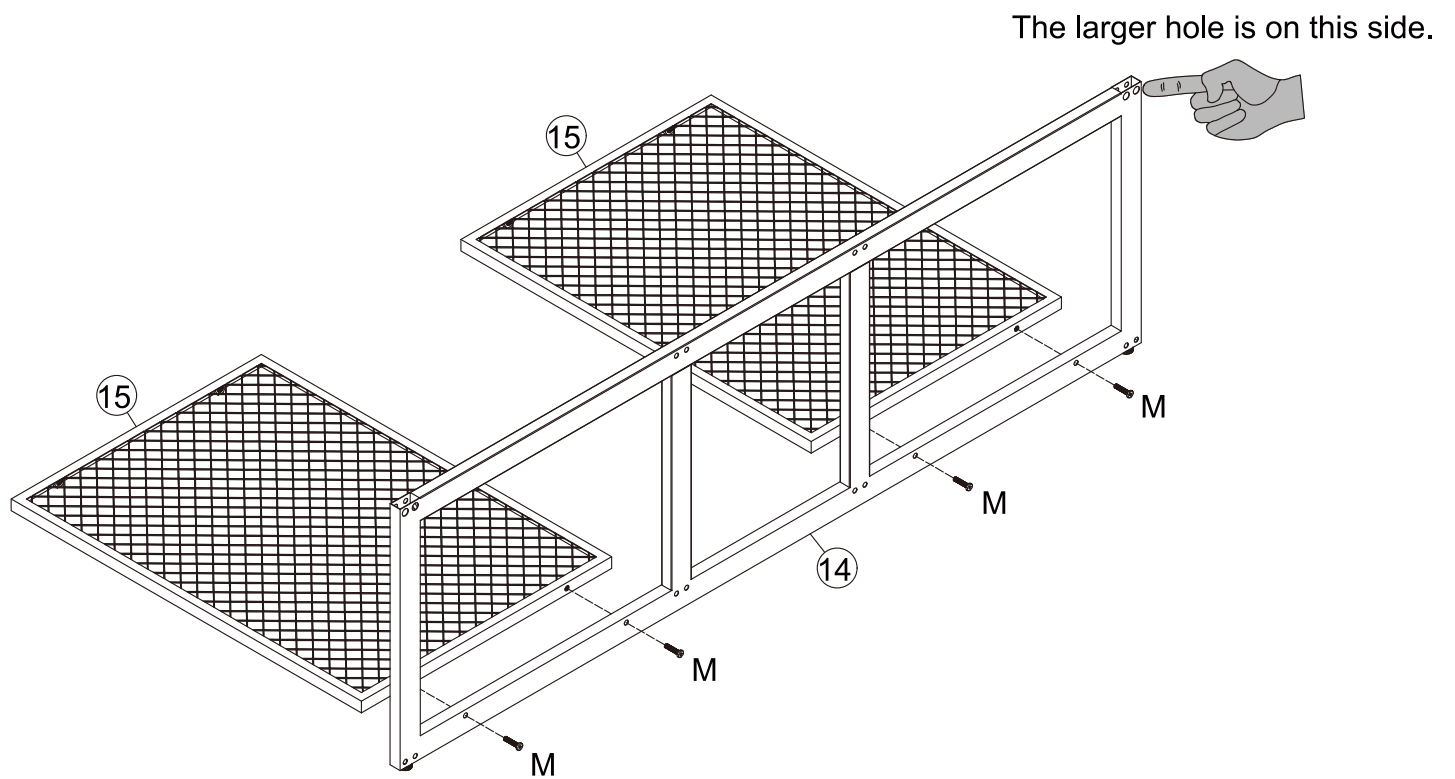
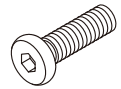


X2

Install Q x4 on Part #14 x2 as shown.

7.

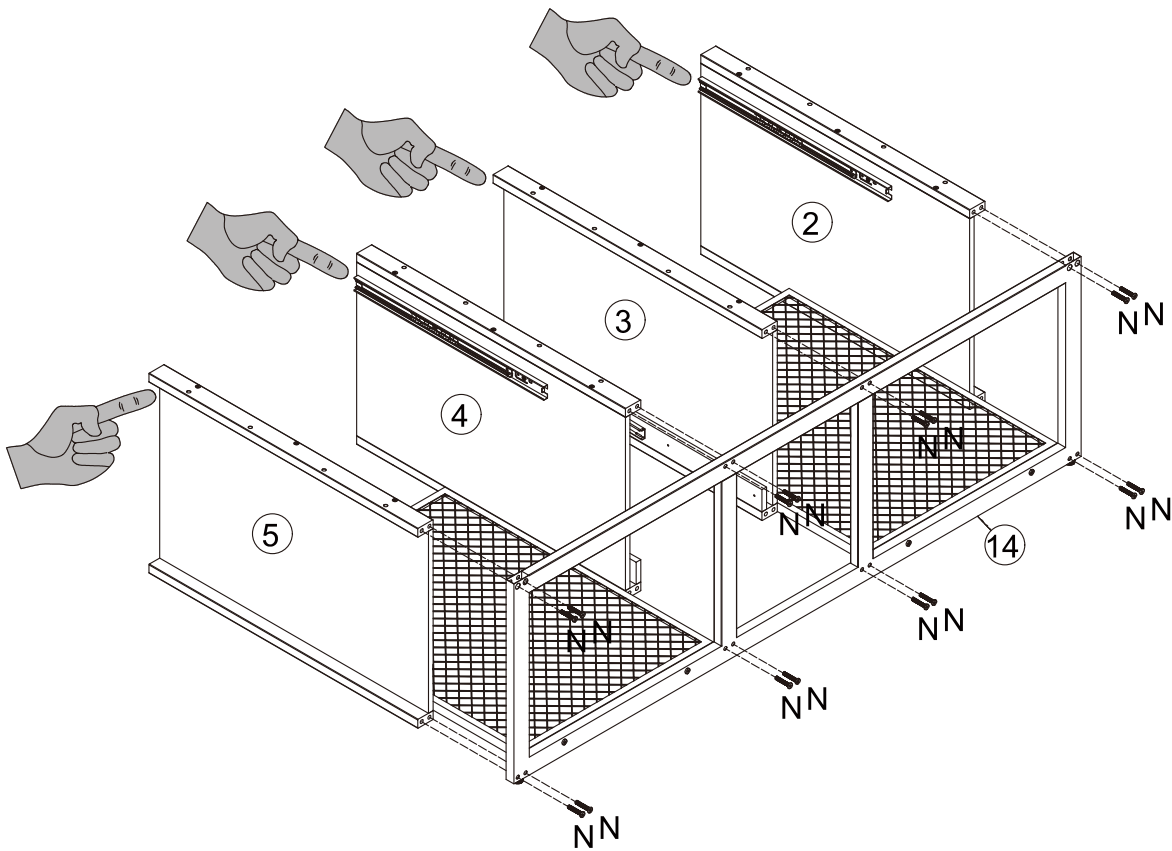
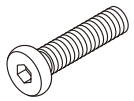
M X4



Attach Part #15 x2 to Part #14 with Screws M x4 as shown.

8.

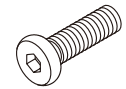
N X16



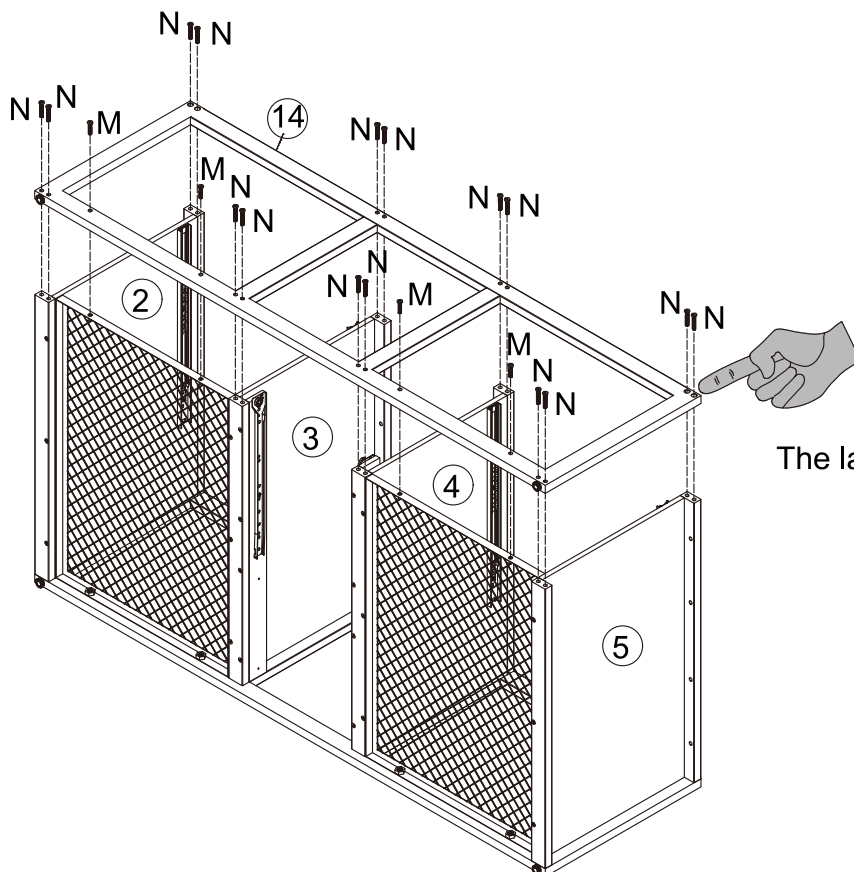
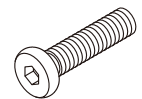
Attach Part #2, Part #3, Part #4 and Part #5 to Part #14 with Screws N x16 as shown.

9.

M X4



N X16

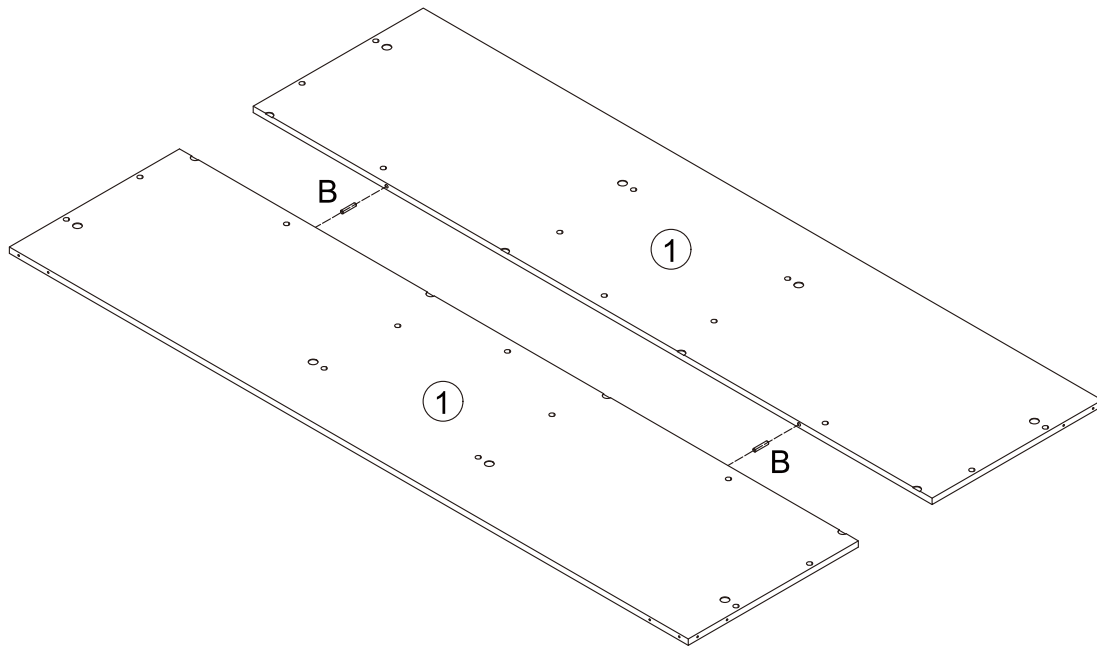


The larger hole is on this side.

Attach Part #14 to the assembled unit with Screws M x4 and Screws N x16 as shown.

10.

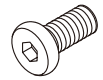
B X2



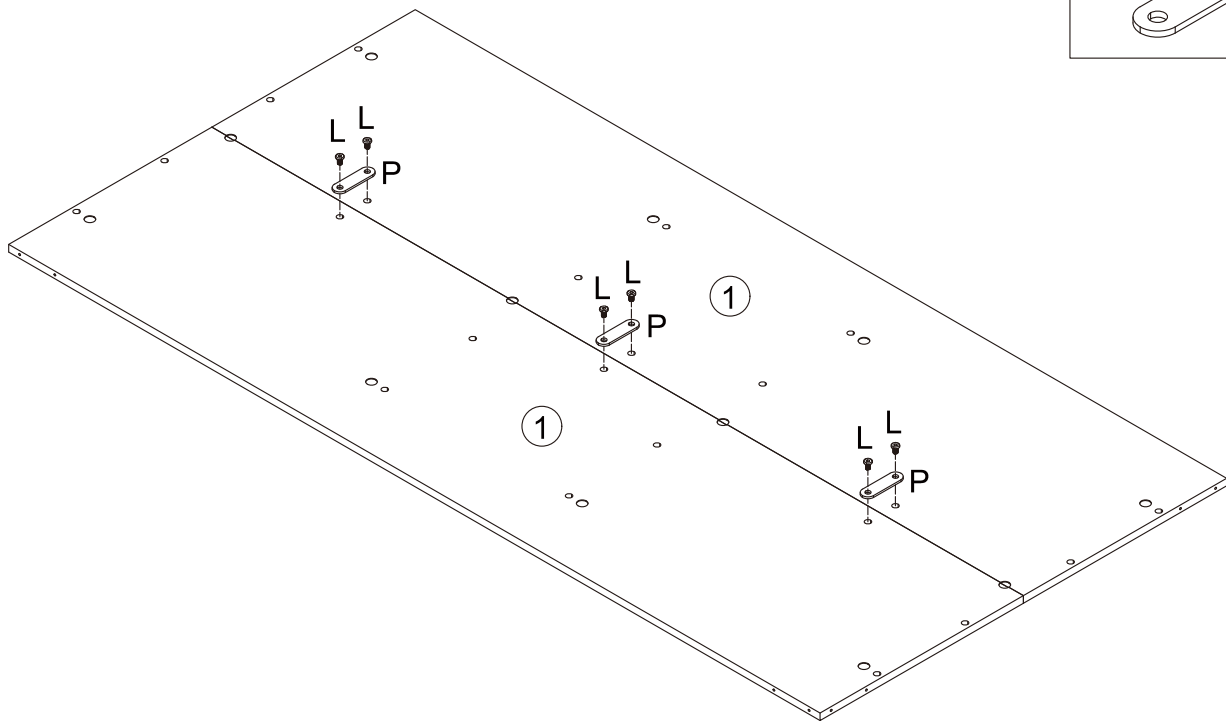
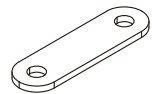
Connect the two Part #1 with Dowels B x2 as shown.

11.

L X6



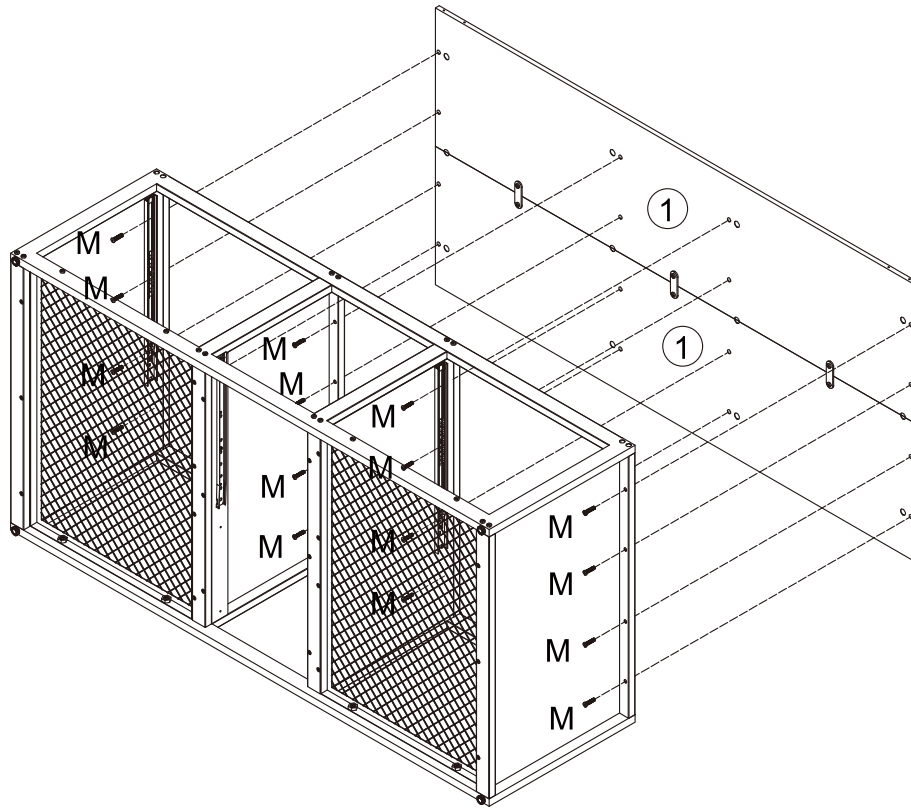
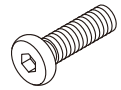
P X3



Install P x3 on the two Part #1 with Screws L x6 as shown.

12.

M X16



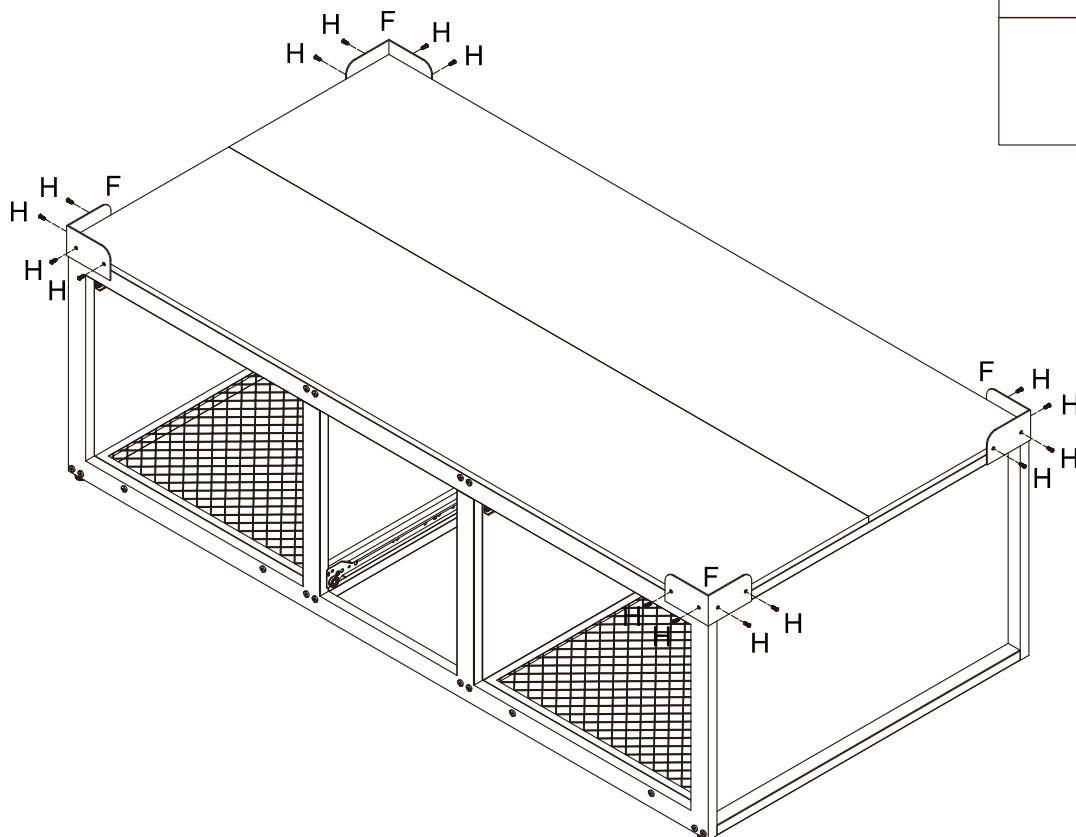
Attach the two Part #1 to the assembled unit with Screws M x16 as shown.

13.

F X4

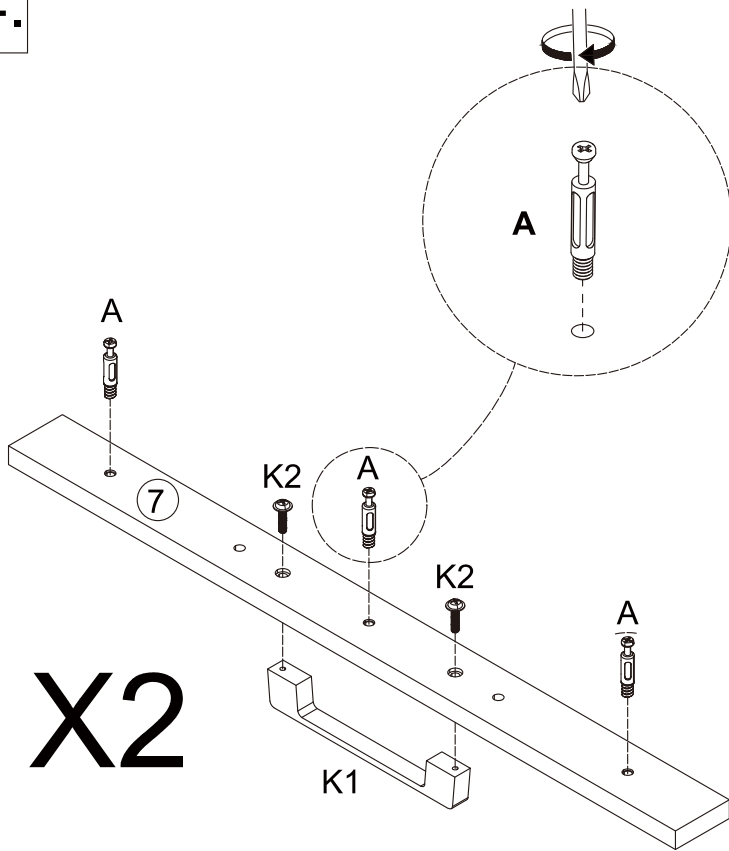


H X16



Install F x4 on the assembled unit with Screws H x16 as shown.

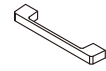
14.



A X6



K X2

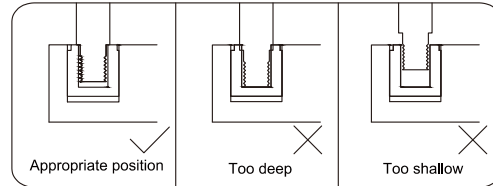


K1

K2

REMARK:

Please do not screw **A** too deep or too shallow.



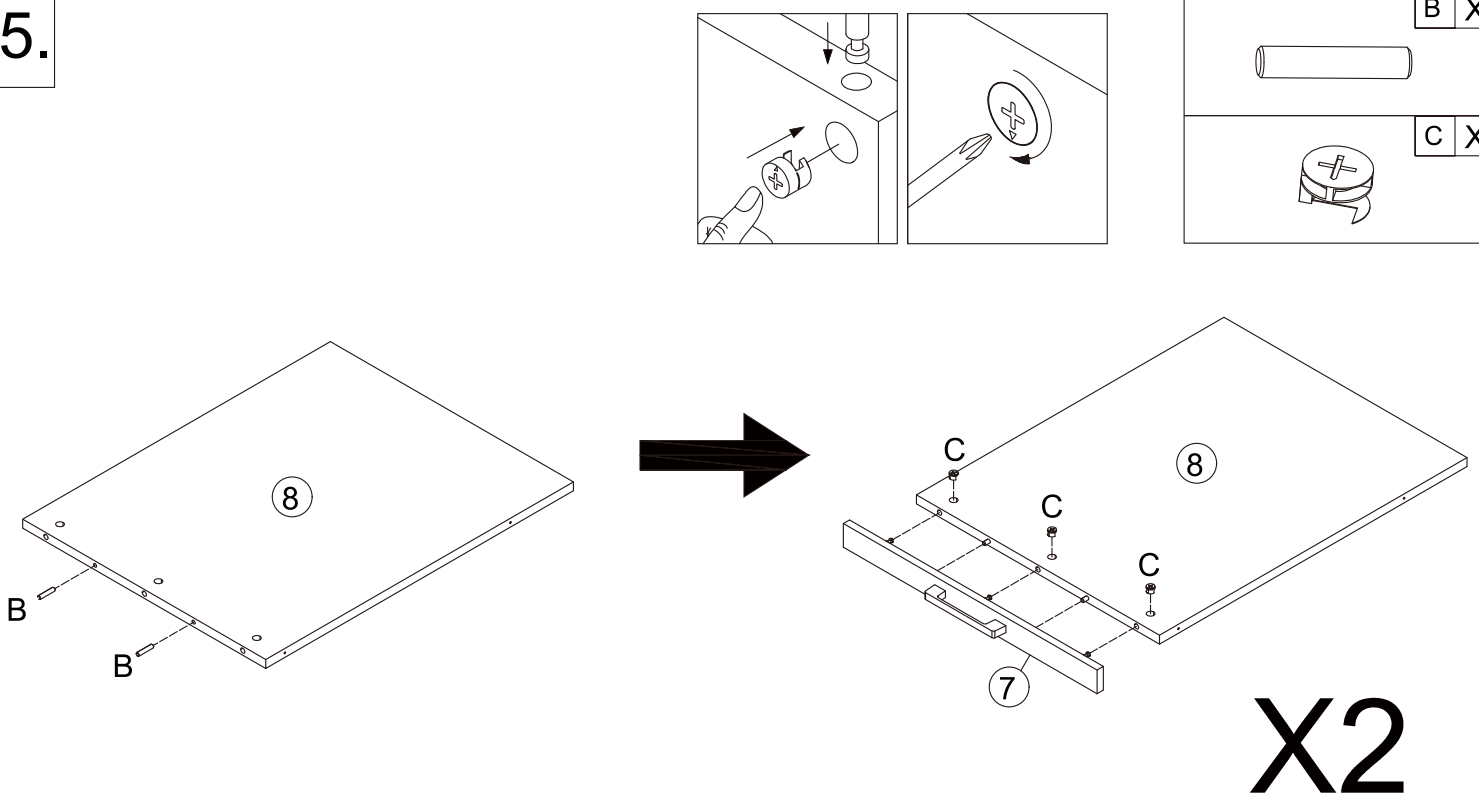
REMARK :

Put a blanket under the board to avoid scratch or damage.

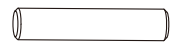
Install Cam Bolt A x6 to Part #7 x2 as shown.

Then install handle K1 x2 on Part #7 x2 with Screws K2 x4 as shown.

15.



B X4



C X6

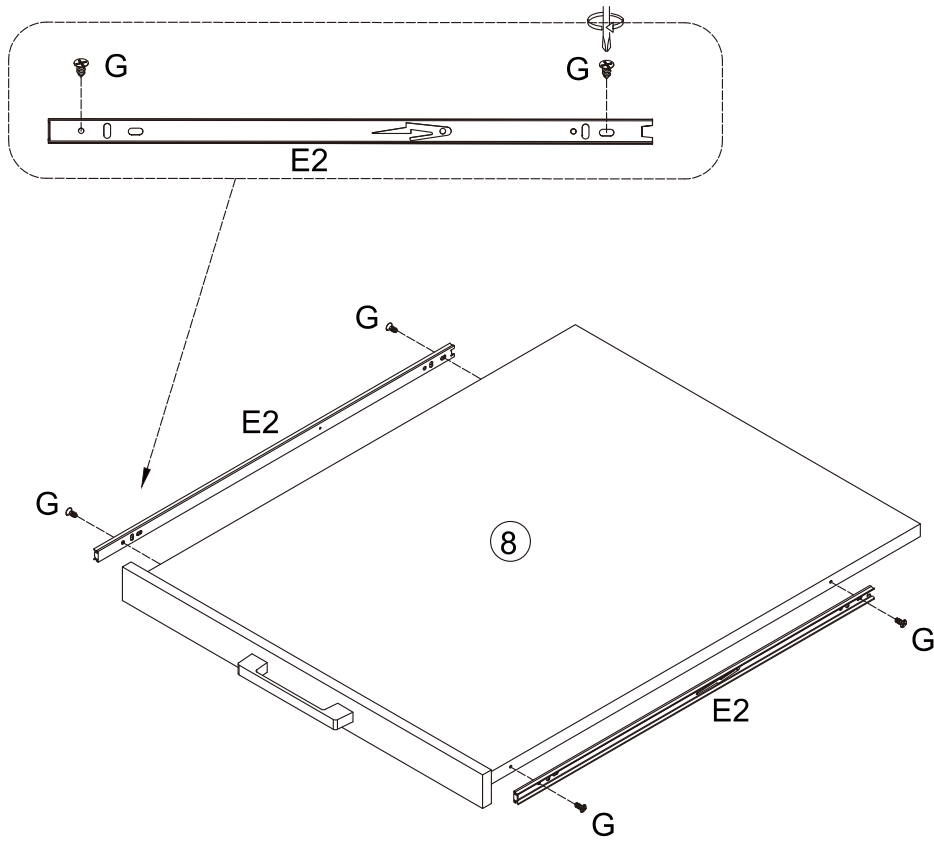


Install dowels B x4 on Part #8 x2 as shown.

Then attach Part #7 x2 to Part #8 x2 with nuts C x6 as shown.

Turn nuts B x6 to secure position.

16.



E X4



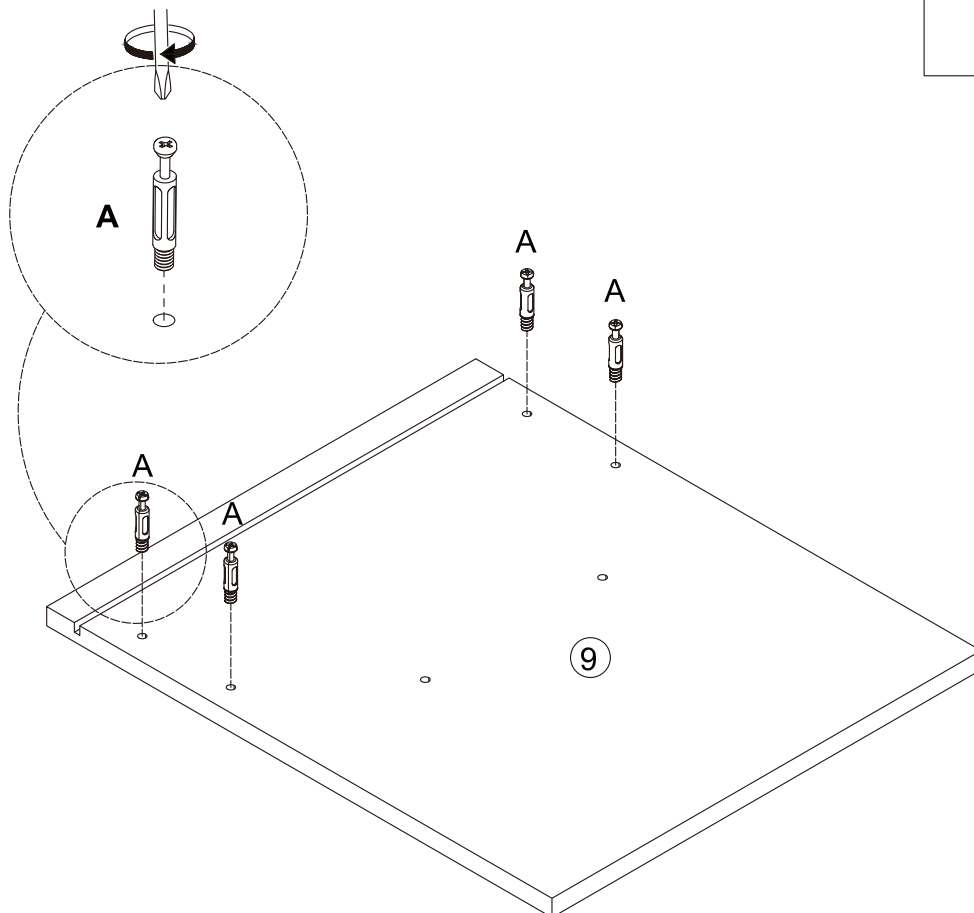
E2

G X8



Install inner rail E2 x4 on Part #8 x2 with Screws G x8 as shown.

17.

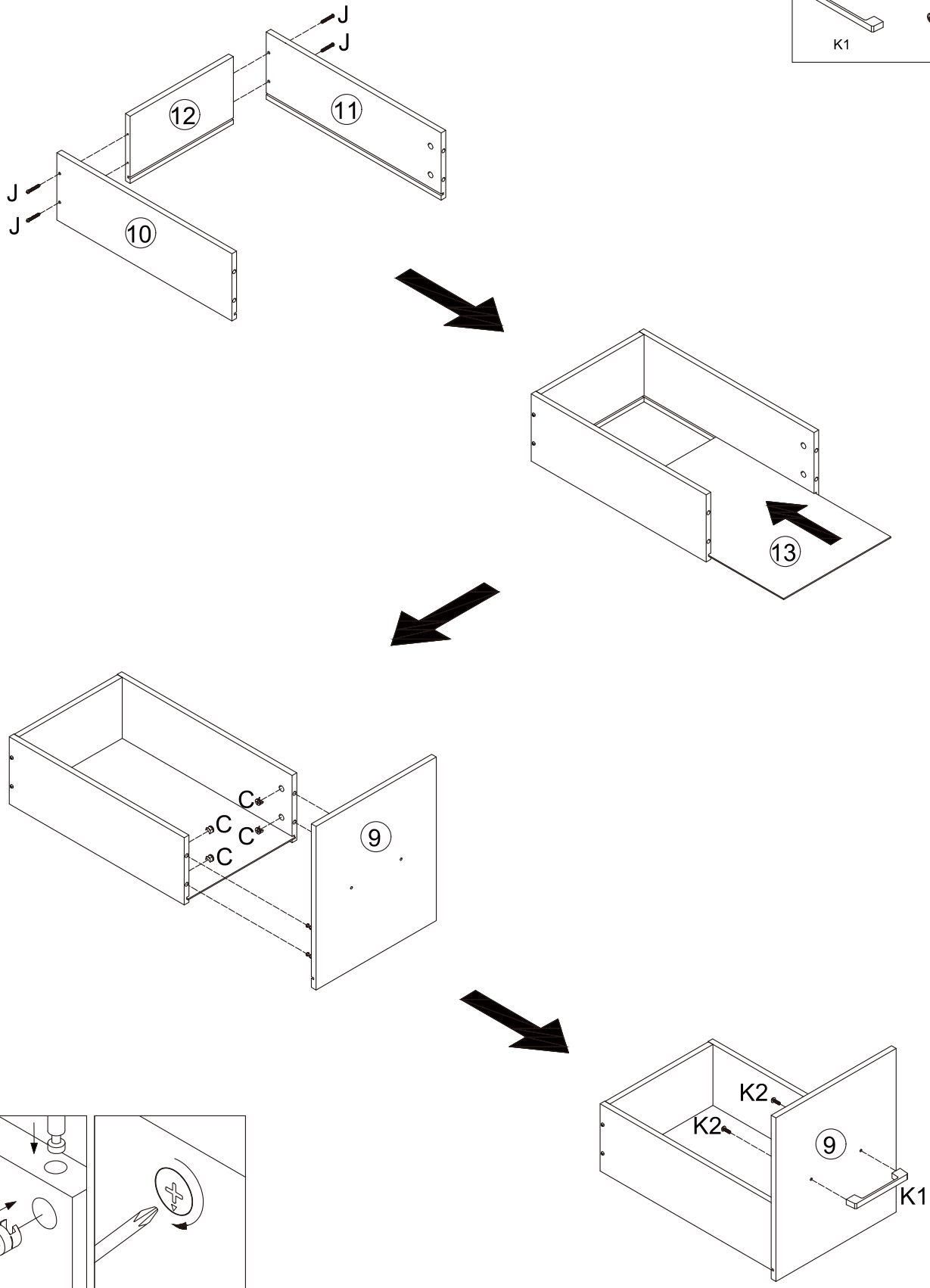
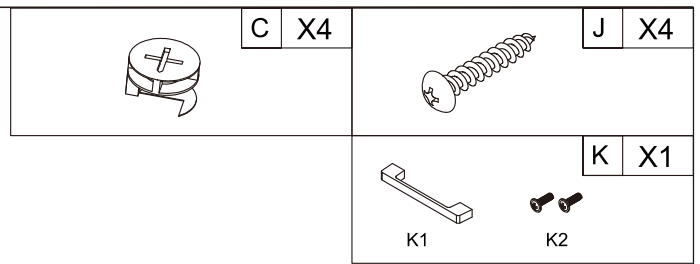


A X4



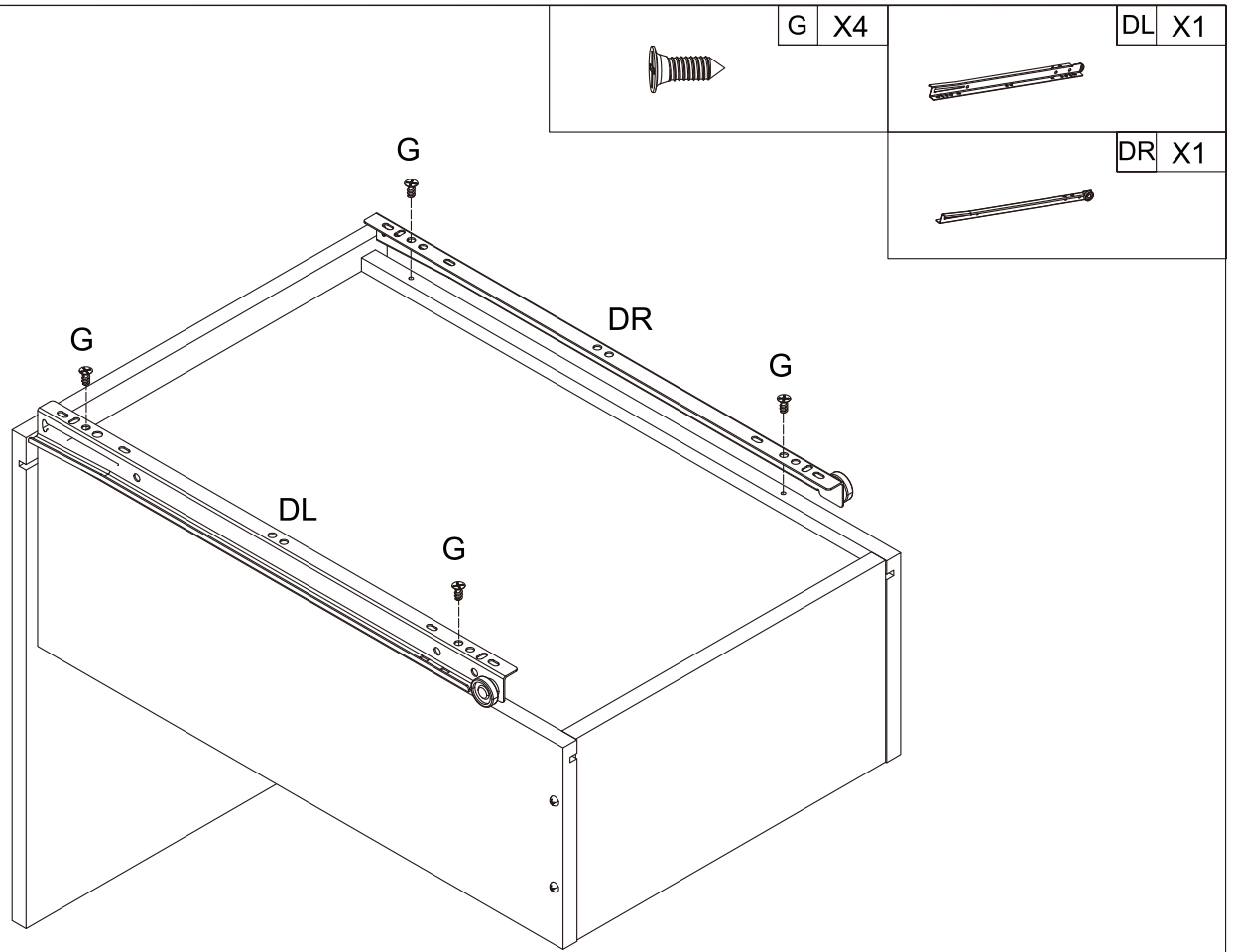
Install Cam Bolt A x4 on Part #9 as shown.

18.



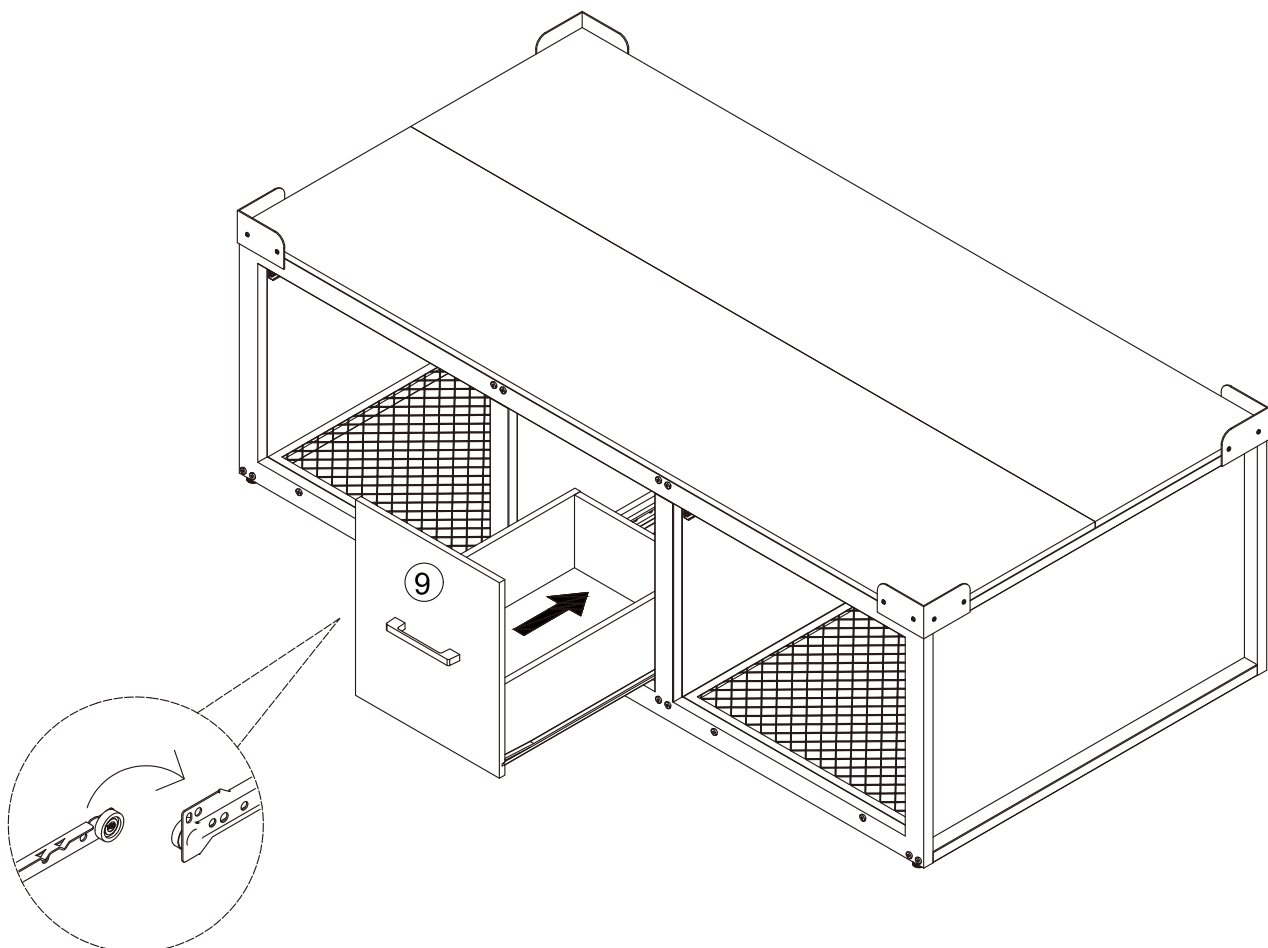
Attach Part #10 and Part #11 to Part #12 with Screws J x4 as shown.
Then insert Part 13 into the assembled unit as shown.
Attach Part #9 to Part #10 and Part #11 with Nuts C x4 as shown.
Then turn Nuts C x4 to secure position.
Install handle K1 to Part #9 with Screws K2 x2 as shown.

19.



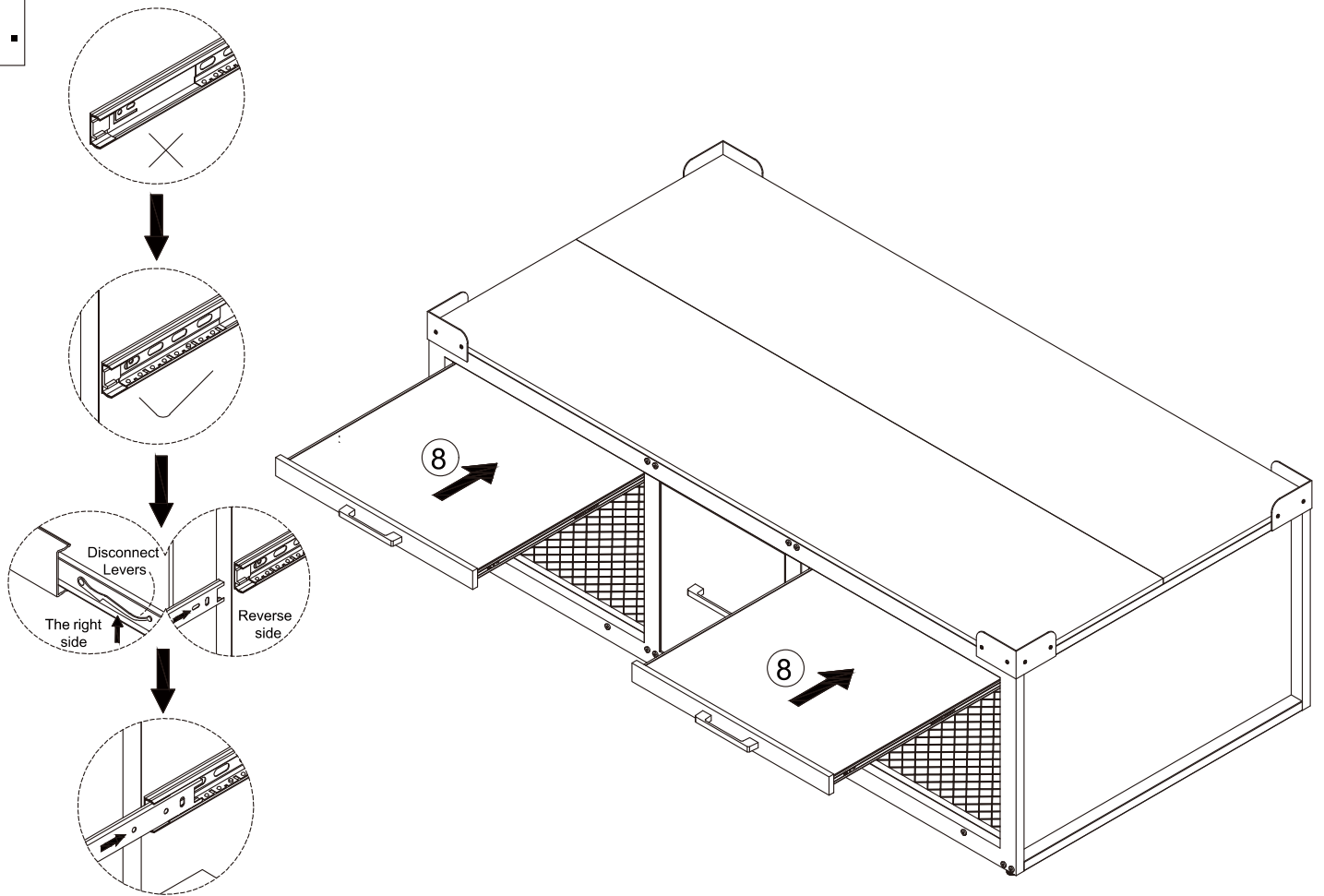
Install rail DL and DR on Part #10 and Part #11 of the drawer with Screws G x4 as shown.

20.



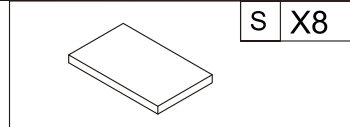
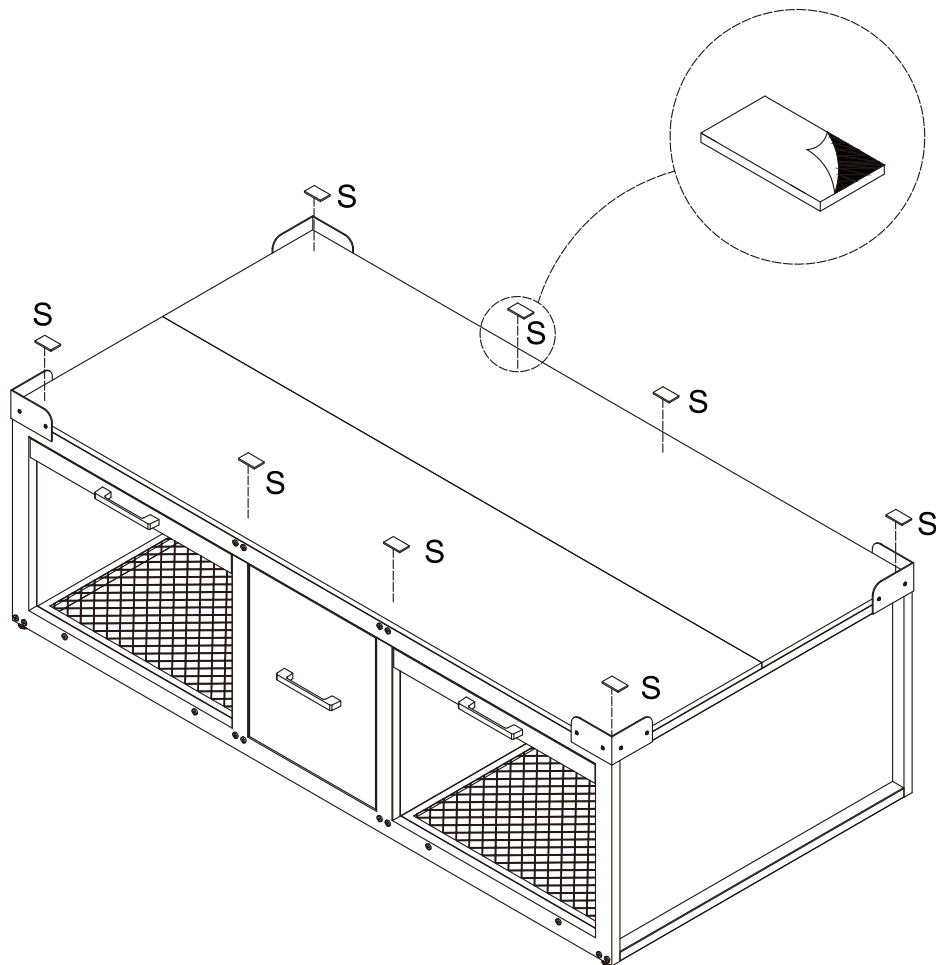
Insert the drawer rails DL and DR into the cabinet rails CL and CR as shown.

21.



Insert Part #8 rails E2 x4 into the cabinet rails E1 x4 as shown.

22.



Peel off the backing and stick the anti-slip pads S x8 onto the cabinet as shown.