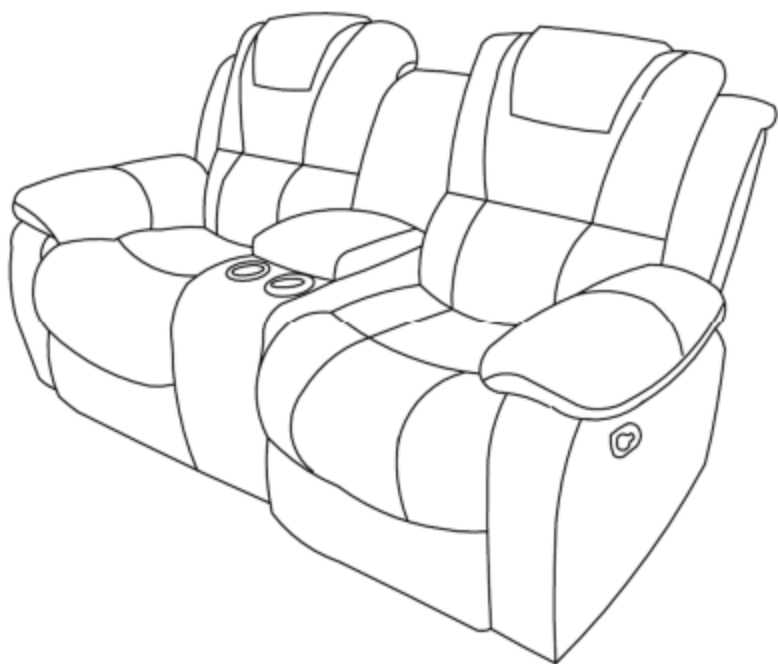


Assembly Instructions



Parts List



#1 x 1 pc
Seat



#2 x 1 pc
Right Back Cushion



#3 x 1 pc
Left Back Cushion

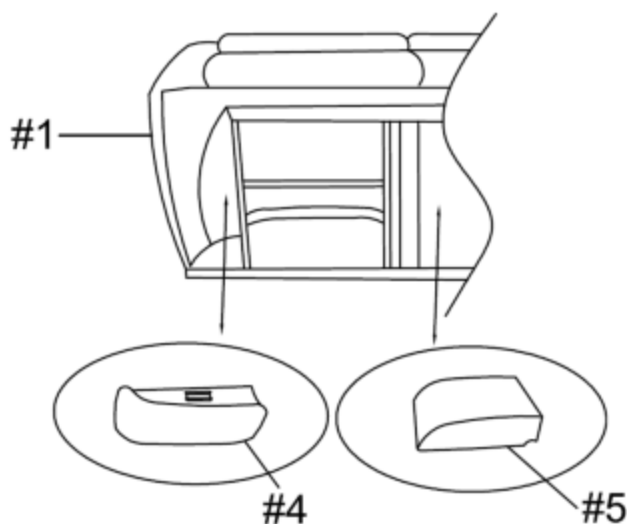


#4 x 2 pcs
Side Cushion

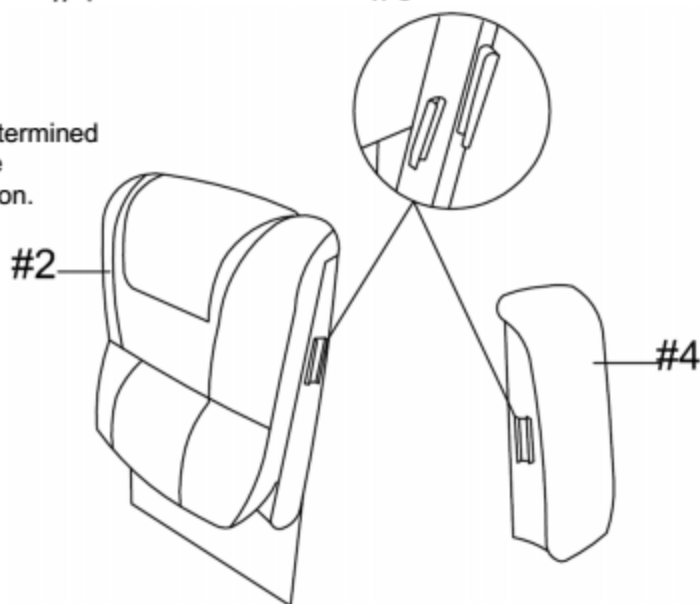


#5 x 1 pc
Console Back Cushion

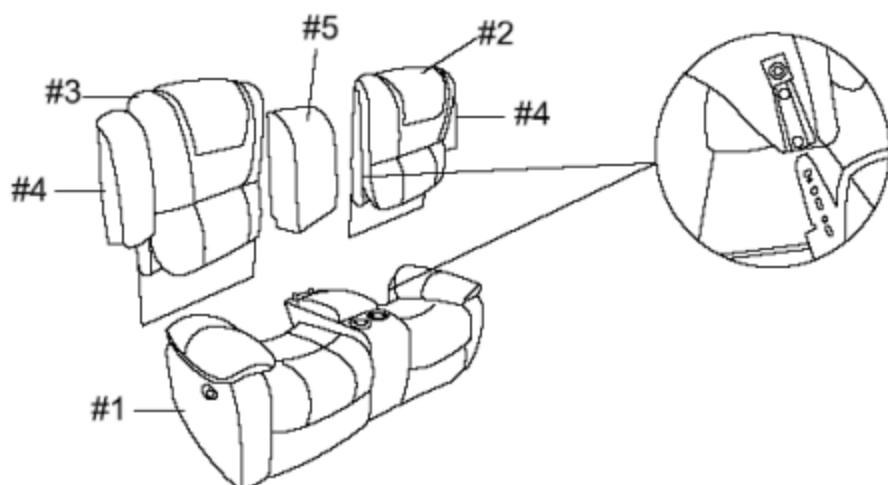
Carefully place the seat (#1) on its back over a protective surface. Remove the side cushions (#4) and the console back cushion (#5) from underneath the seat (#1).



Note: Right and left are determined by facing the FRONT of the loveseat in its upright position.



Assemble the right back cushion (#2), the left back cushion (#3) and the console back cushion (#5) onto the seat (#1) by aligning the brackets of the cushions with the brackets of the seat (#1). Slide the brackets together until locked. Make sure all parts are firmly secured.



ASSEMBLY IS COMPLETED