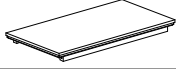
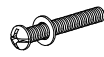


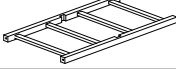

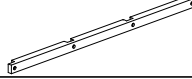
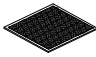
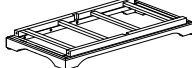
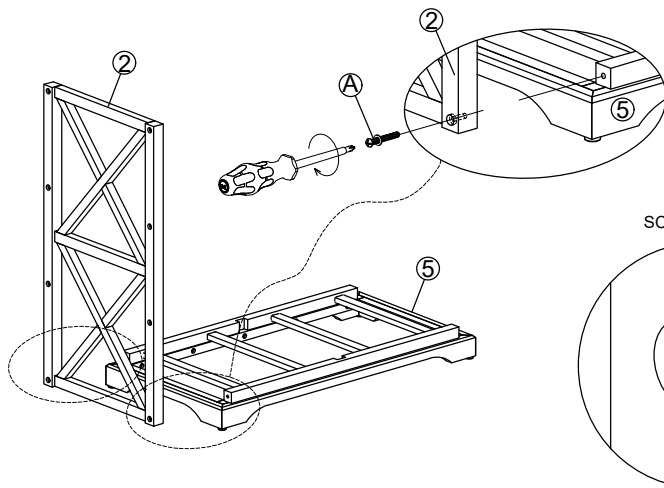


ASSEMBLY INSTRUCTIONS

PARTS LIST			HARDWARE LIST		
NO	DESCRIPTION	QTY	NO	DESCRIPTION	QTY
1	TOP 	1	A	Bolt Ø6x 5x32 x45 mm 	16 sets
2	SIDE FRAME 	2	B	Wood screw M4x20mm 	8 pcs
3	SHELF FRAME 	2	C	Basket frame 	6 pcs
4	CROSS BAR 	2	D	Basket bottom 	6 pcs
5	BASE 	1			

STEP 1:

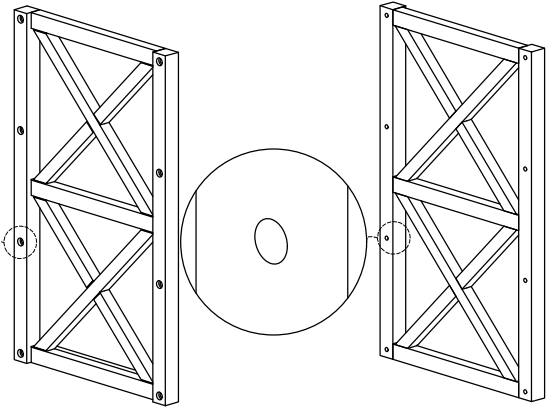
- A. PLACE ALL PARTS ON A FLAT, PROTECTED SURFACE.
- B. ATTACH SIDE FRAME (2) TO BASE (5) WITH BOLTS (A).
- C. USING SCREW DRIVER (NOT PROVIDED). LOOSELY TIGHTEN.



PLEASE NOTE THE SIDE FRAME (PART #2) SHOULD BE INSTALLED WITH THE SCREW HOLES FACING EXTERNALLY

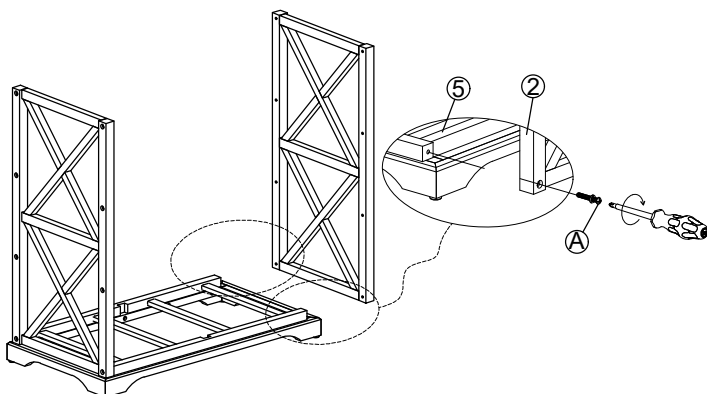
OUTWARD FACING SIDE

INWARD FACING SIDE



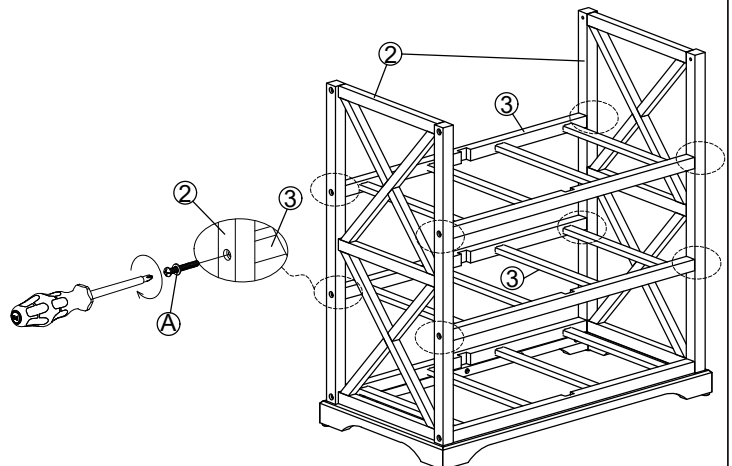
STEP 2:

- A. ATTACH THE OTHER SIDE FRAME (2) TO BASE (5) WITH BOLTS (A).
- B. USING SCREW DRIVER (NOT PROVIDED). LOOSELY TIGHTEN.



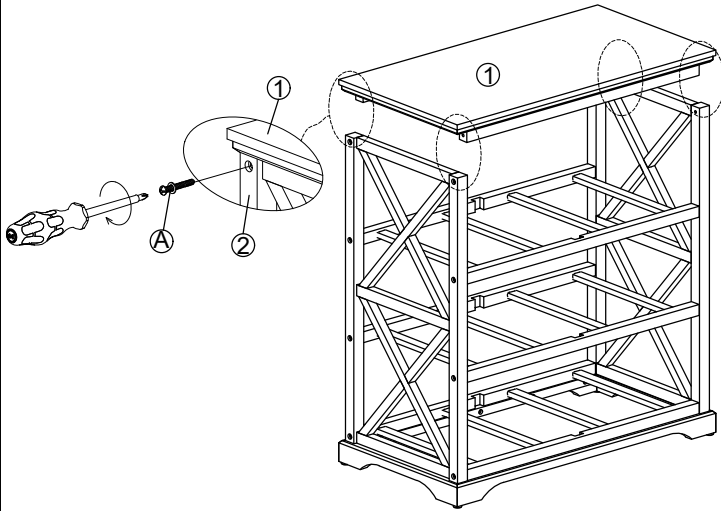
STEP 3:

- A. ATTACH SHELF FRAMES (3) TO SIDE FRAME (2) WITH BOLTS (A).
- B. USING SCREW DRIVER (NOT PROVIDED). LOOSELY TIGHTEN.

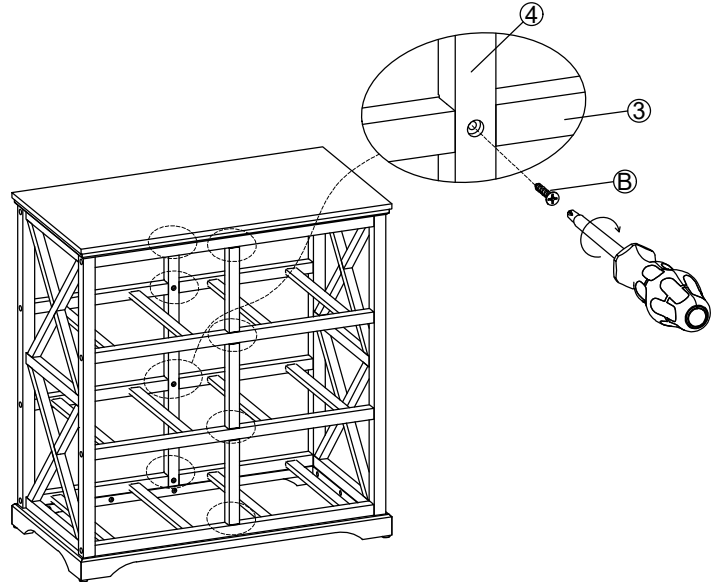


ASSEMBLY INSTRUCTIONS

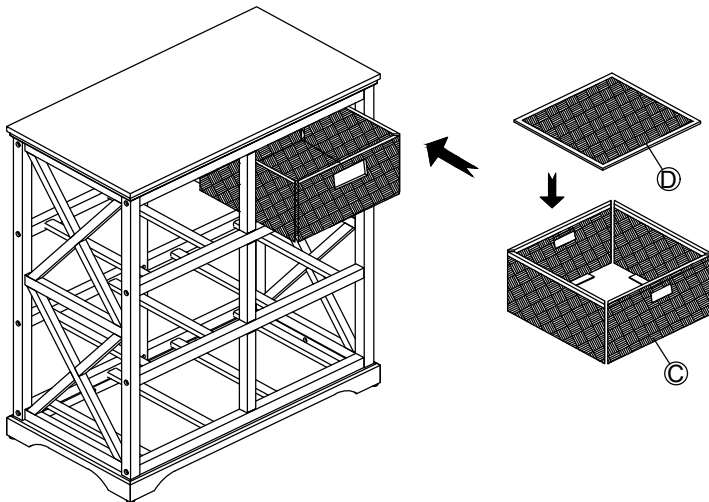
STEP 4:
A. ATTACH TOP (1) TO SIDE FRAMES (2) WITH BOLTS (A).
B. USING SCREW DRIVER (NOT PROVIDED). LOOSELY TIGHTEN.



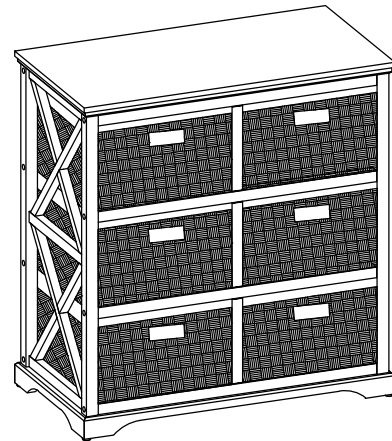
STEP 5:
A. ATTACH CROSS BARS (4) TO SHELF FRAMES (3) WITH WOOD SCREWS (B).
B. USING SCREW DRIVER (NOT PROVIDED).
C. TIGHTEN ALL BOLTS AND WOOD SCREWS



STEP 6:
A. INSERT BASKET BOTTOM (D) INTO BASKET FRAME (C).
REPEAT FOR REMAINING BASKETS.
B. PLACE THE BASKETS INTO TOWER AS SHOWN.



STEP 7:
A. ASSEMBLY IS COMPLETE



IMPORTANT NOTE:

- PLACE ALL WOODEN PARTS ON A CLEAN AND SMOOTH SURFACE TO AVOID SCRATCHING.
- KINDLY FOLLOW THE ASSEMBLY INSTRUCTION STEP BY STEP.
- WE RECOMMEND THAT YOU PERIODICALLY TIGHTEN ALL BOLTS/SCREWS. PLEASE MAKE SURE ALL BOLTS/ SCREWS ARE PLACED IN THEIR PROPER POSITION AND ARE TIGHTENED SECURELY TO ENSURE YOUR SAFETY.
- WEIGHT RESTRICTION: TOP 50LBS, BASKETS 20LBS EACH.
- DO NOT STAND OR CLIMB ON THE TOWER.
- NOT FOR COMMERCIAL USE.