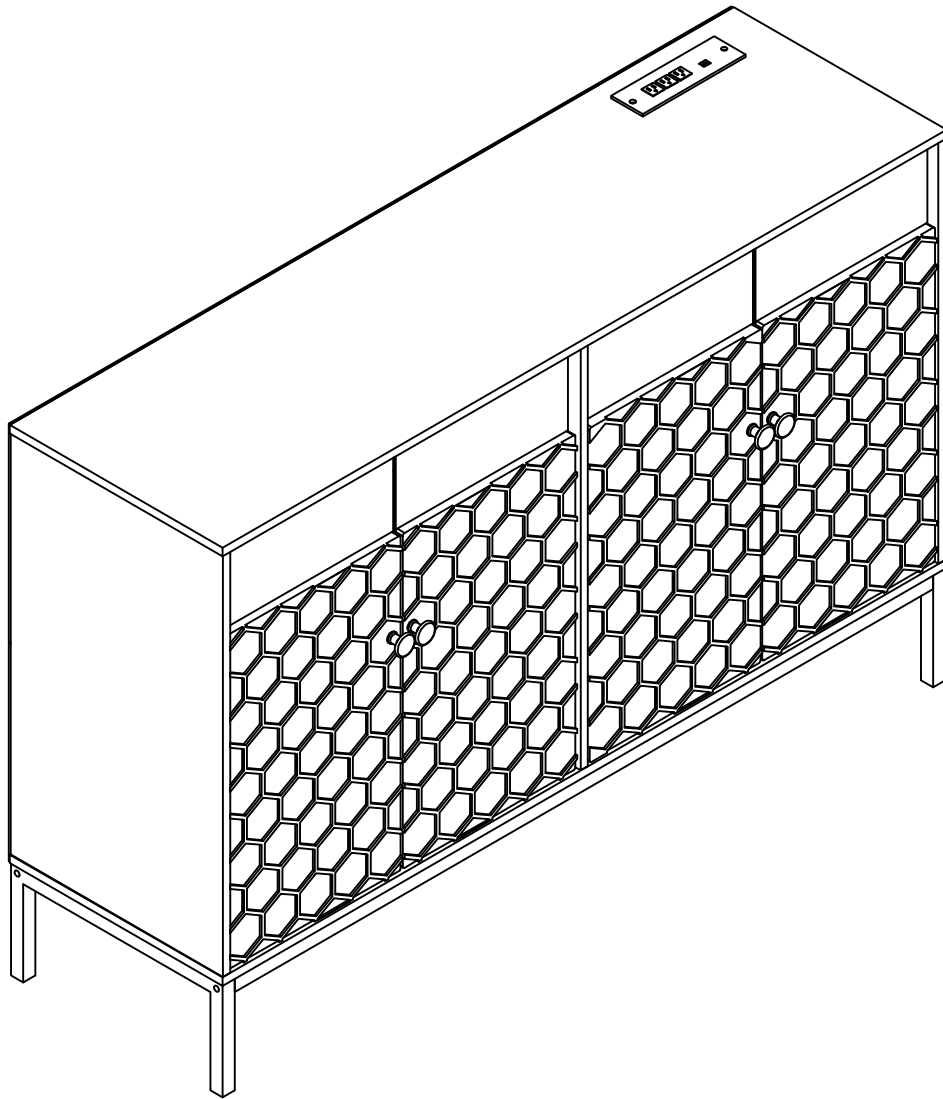
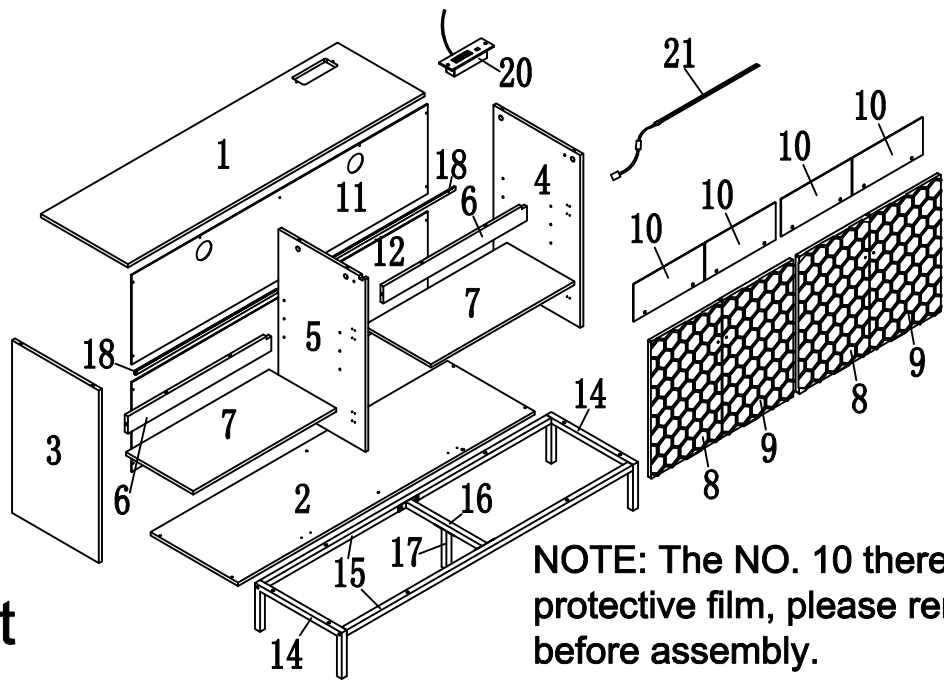


ASSEMBLY INSTRUCTION

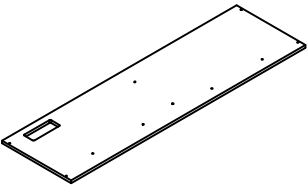
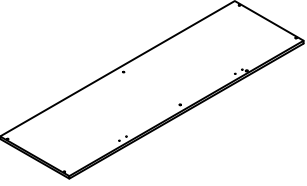
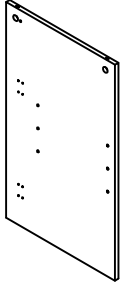
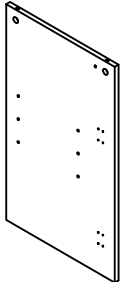
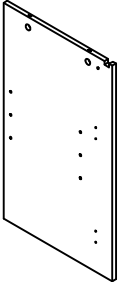
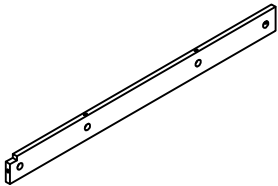
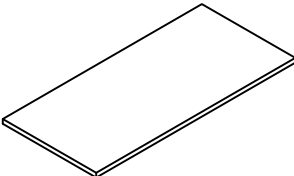
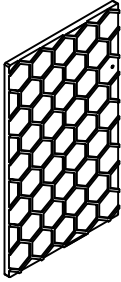
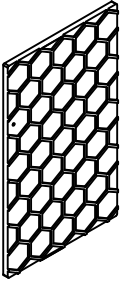
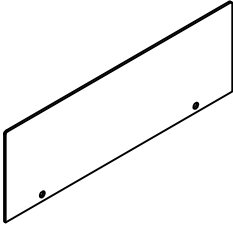
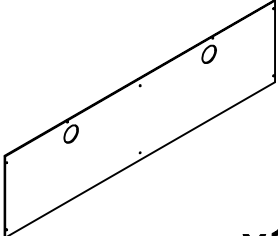
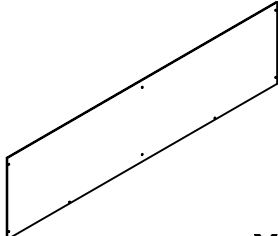
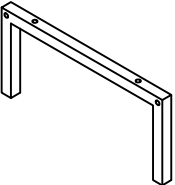
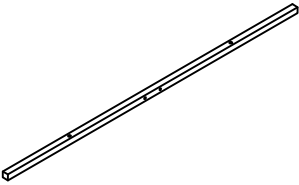
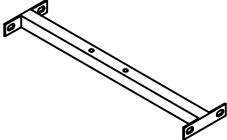
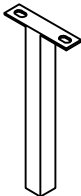


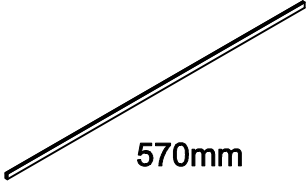
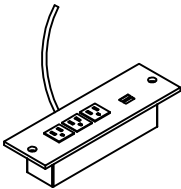
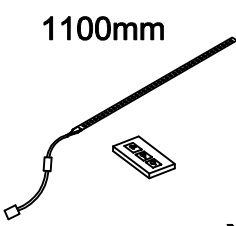
H020005-NB00

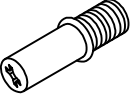
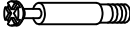

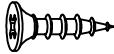

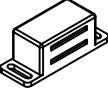
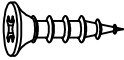

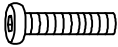
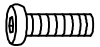

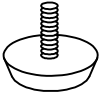



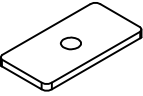
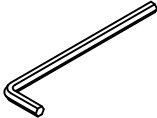


NOTE: The NO. 10 there is plastic protective film, please remove it before assembly.

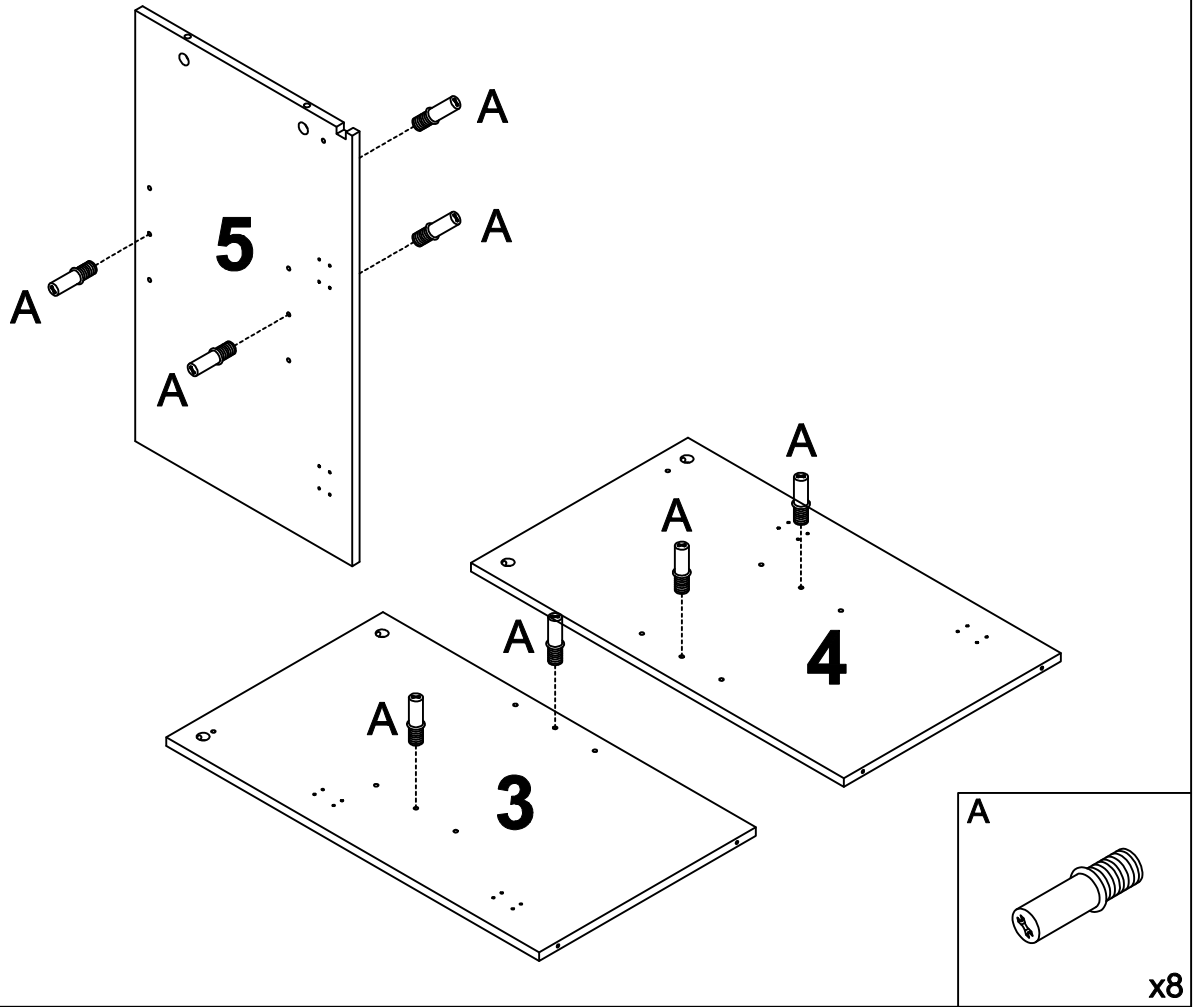
Packing List

| | | | |
|--|--|---|--|
| <p>1</p>  <p>x1</p> | <p>2</p>  <p>x1</p> | <p>3</p>  <p>x1</p> | <p>4</p>  <p>x1</p> |
| <p>5</p>  <p>x1</p> | <p>6</p>  <p>x2</p> | <p>7</p>  <p>x2</p> | <p>8</p>  <p>x2</p> |
| <p>9</p>  <p>x2</p> | <p>10</p>  <p>x4</p> | <p>11</p>  <p>x1</p> | <p>12</p>  <p>x1</p> |
| <p>14</p>  <p>x2</p> | <p>15</p>  <p>x2</p> | <p>16</p>  <p>x1</p> | <p>17</p>  <p>x1</p> |

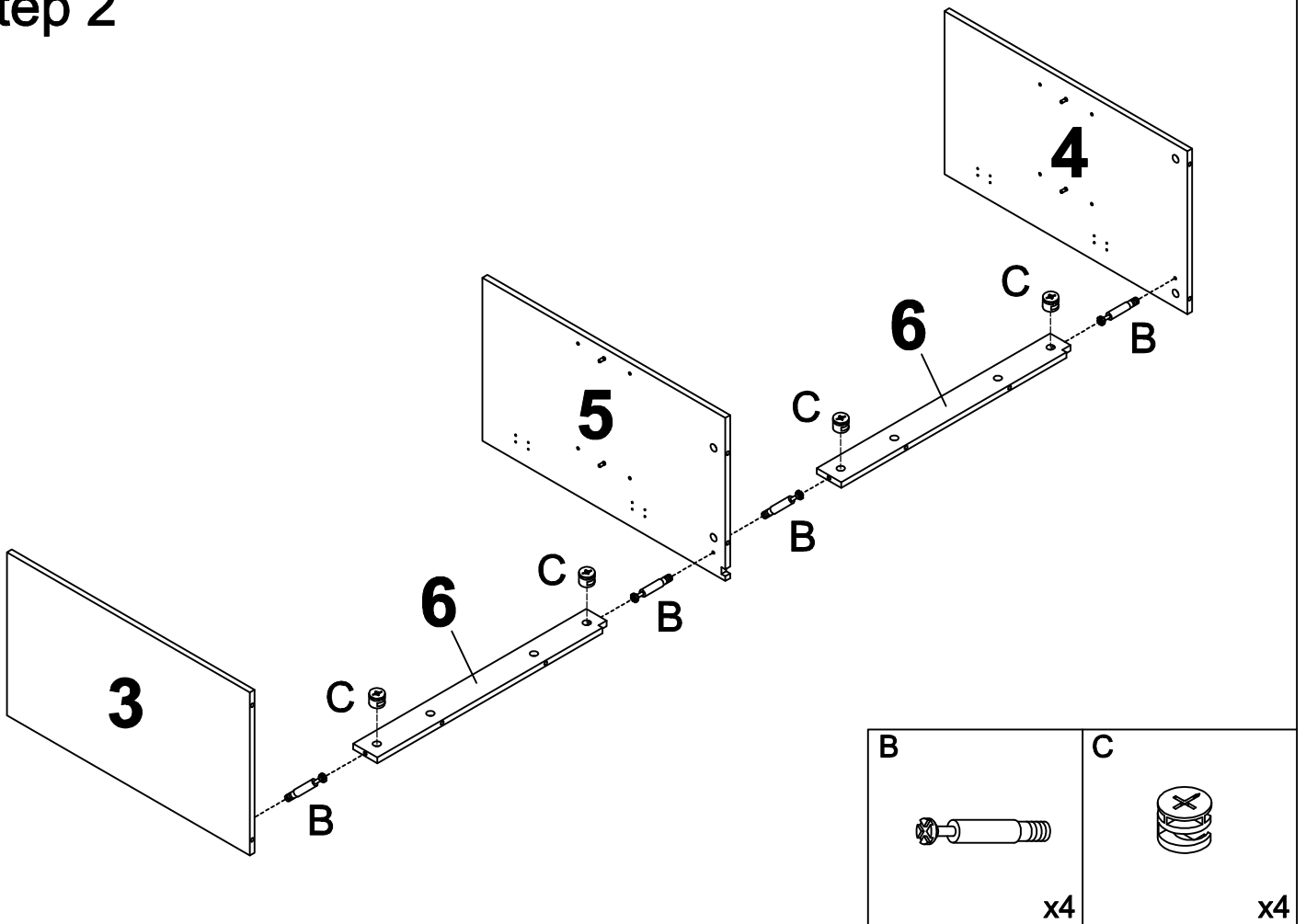
| | | | |
|---|---|--|--|
| <p>18</p>  <p>570mm</p> <p>x2</p> | <p>20</p>  <p>x1</p> | <p>21</p>  <p>1100mm</p> <p>x1</p> | |
|---|---|--|--|

| | | | | |
|---|--|--|---|--|
| <p>A</p>  <p>x8</p> | <p>B</p>  <p>x14</p> | <p>C</p>  <p>x14</p> | <p>D M3.5x12</p>  <p>x71</p> | <p>E</p>  <p>x1</p> |
| <p>F</p>  <p>x2</p> | <p>G M3x14</p>  <p>x4</p> | <p>H M7x50</p>  <p>x6</p> | <p>I M6x45</p>  <p>x4</p> | <p>J M6x30</p>  <p>x8</p> |
| <p>K M6x10</p>  <p>x14</p> | <p>L</p>  <p>x5</p> | <p>M</p>  <p>x8</p> | <p>N</p>  <p>x4</p> | <p>O M4x18</p>  <p>x4</p> |
| <p>P</p>  <p>x4</p> | <p>Q</p>  <p>x1</p> | | | |

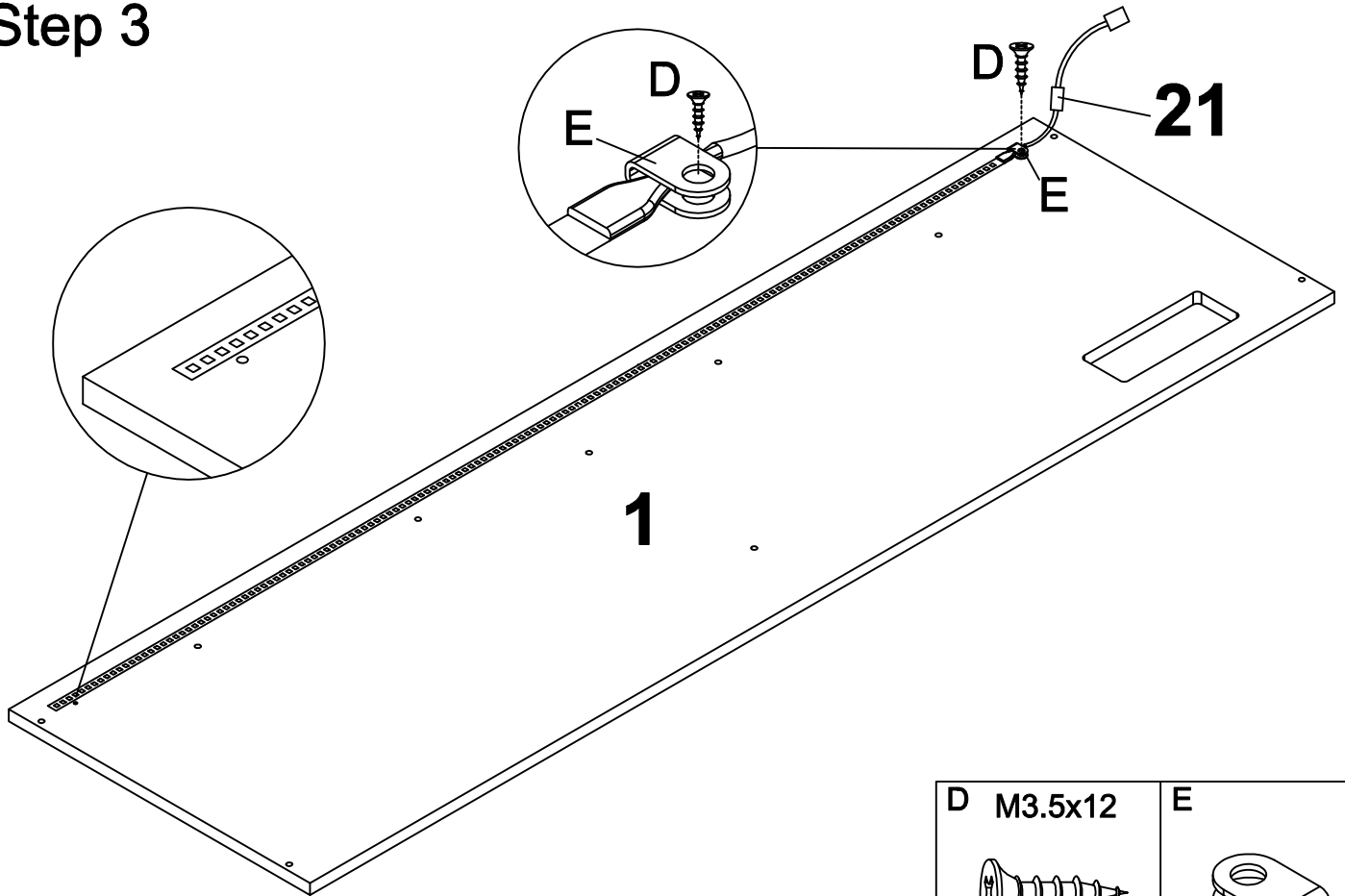
Step 1

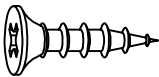



Step 2

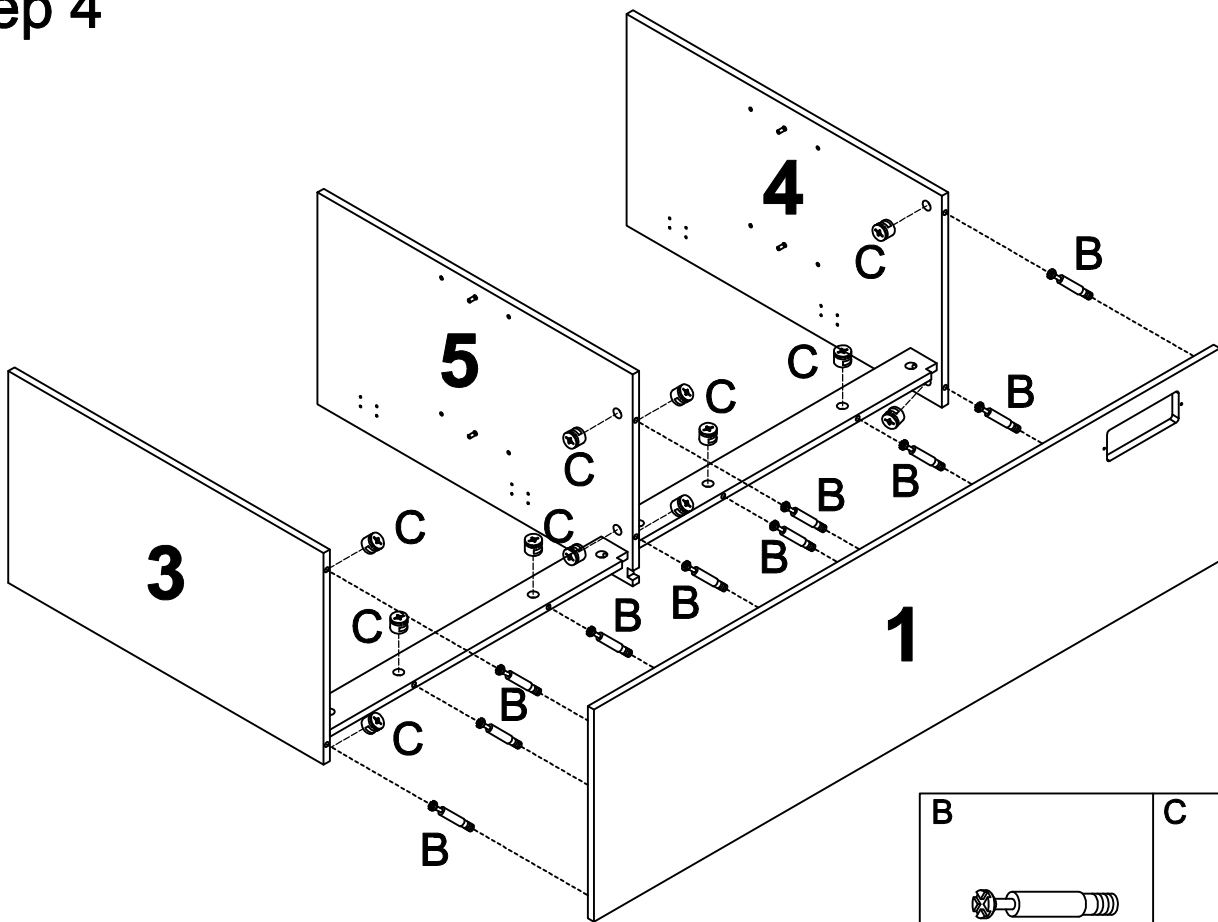


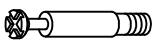

Step 3



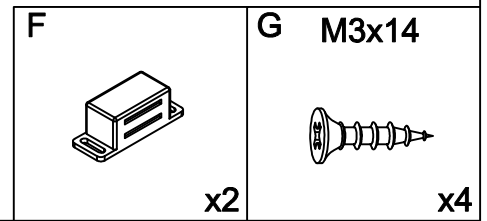
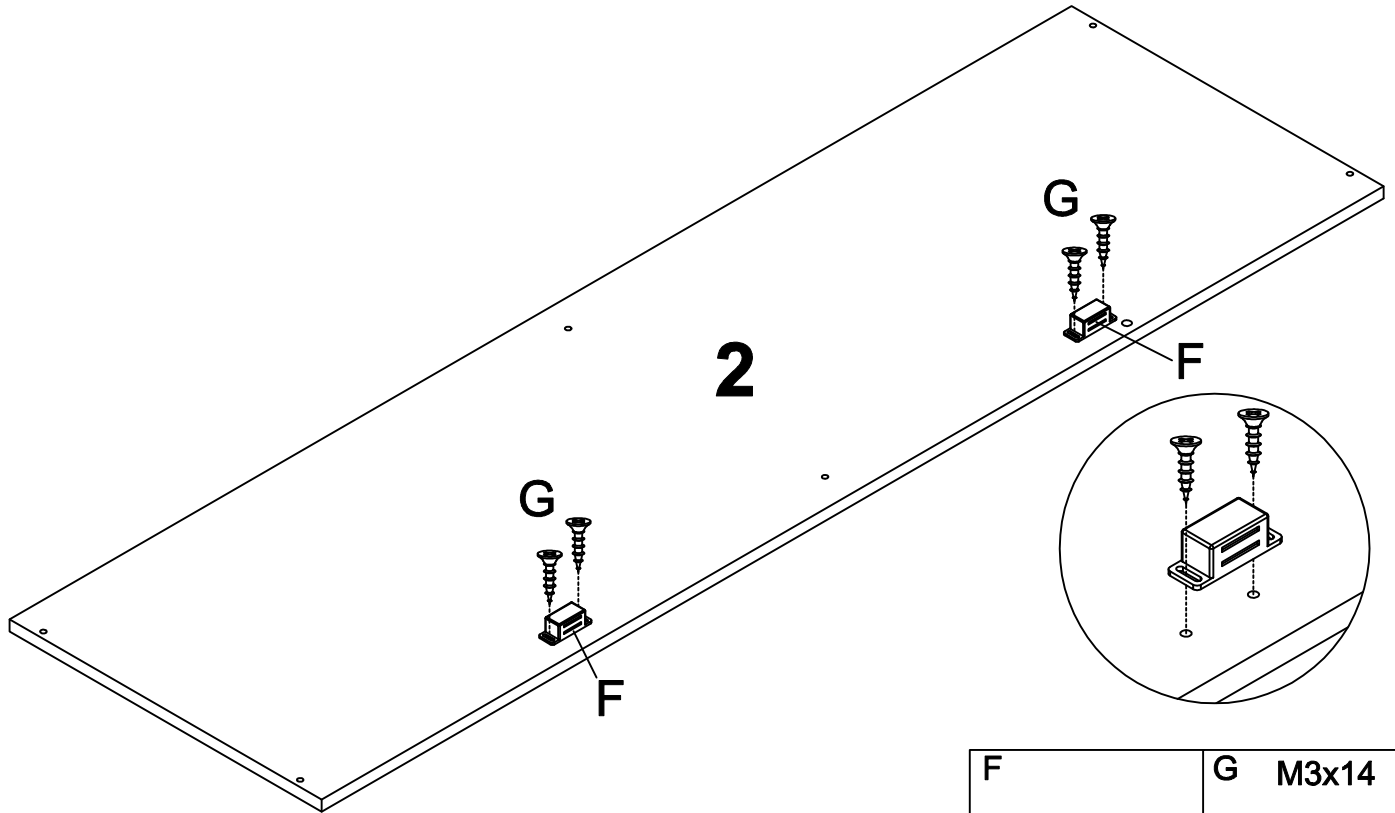
| | |
|--|--|
| D M3.5x12 | E |
|  |  |
| x1 | x1 |

Step 4

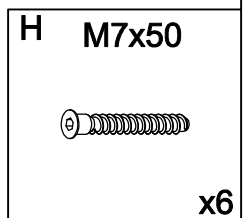
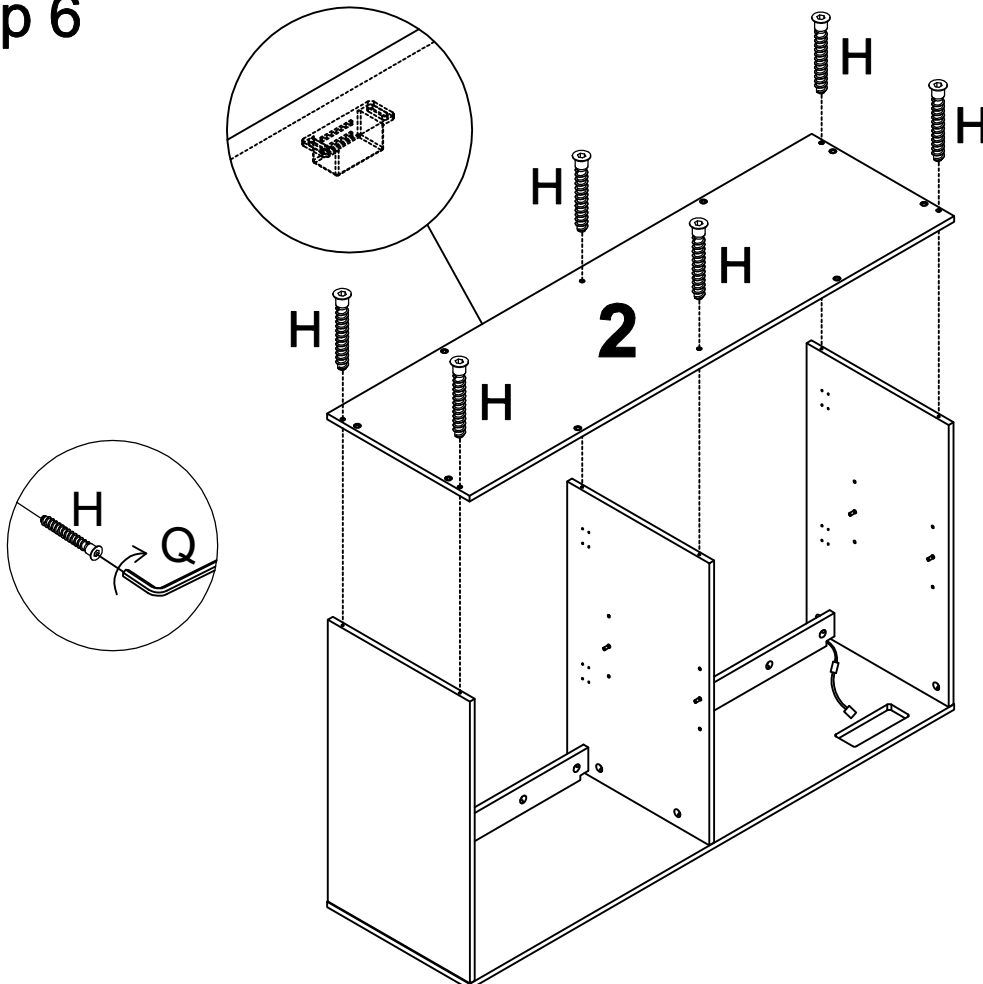


| | |
|---|---|
| B | C |
|  |  |
| x10 | x10 |

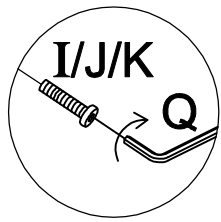
Step 5



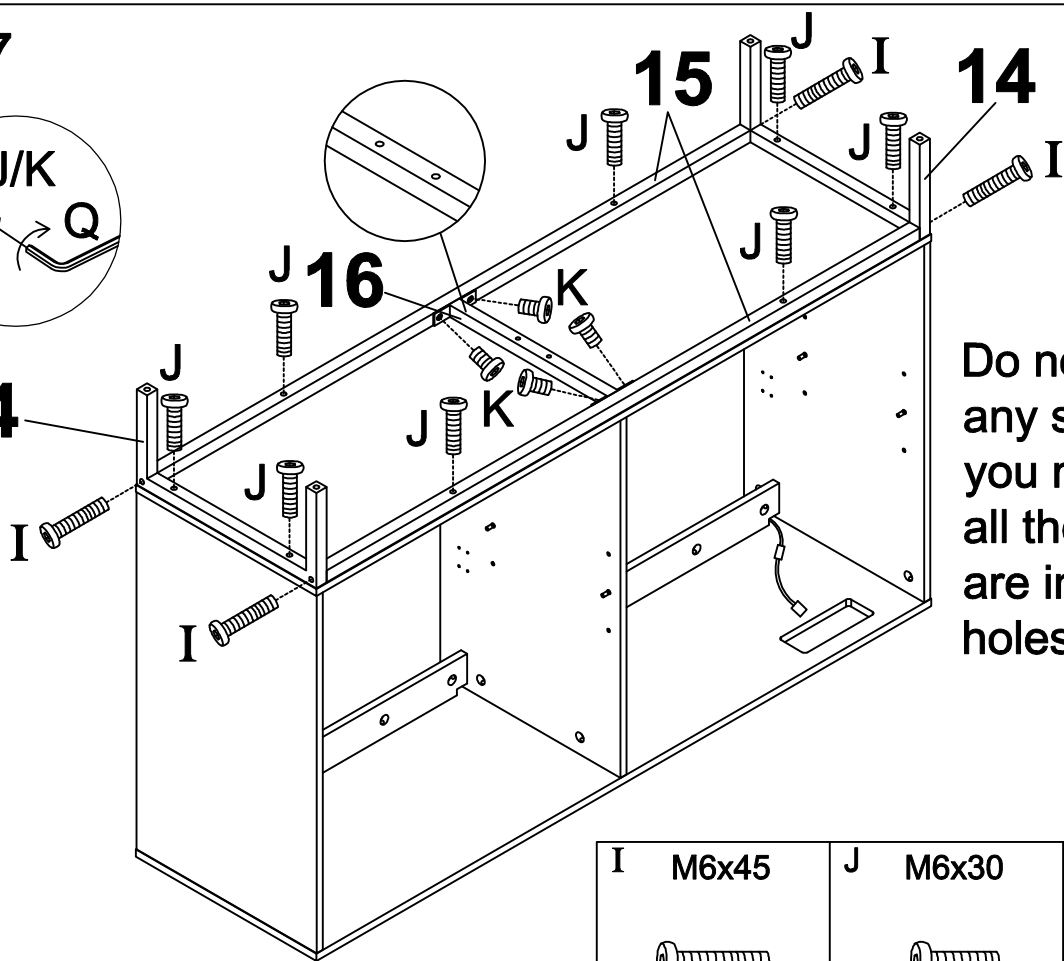
Step 6



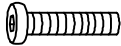
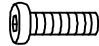

Step 7



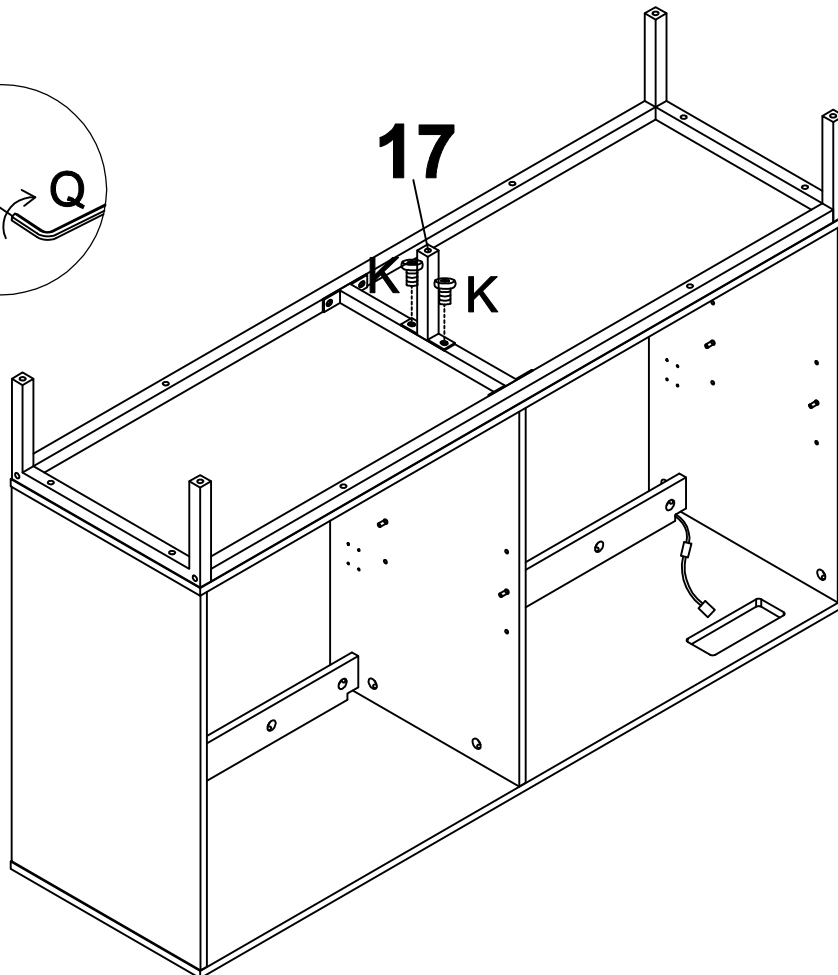
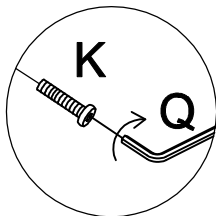
14

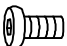


Do not tighten any screw until you make sure all the screws are in the right holes.

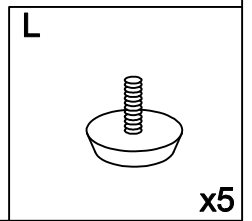
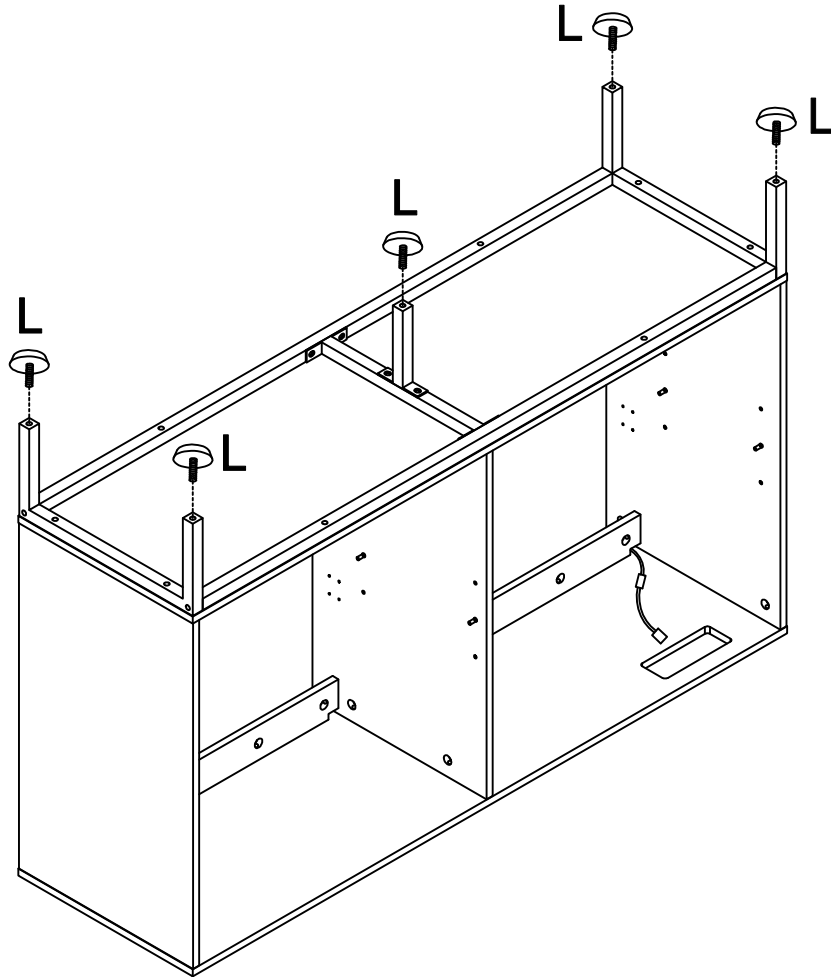
| | | | | | |
|--|-------|---|-------|---|-------|
| I | M6x45 | J | M6x30 | K | M6x10 |
|  | |  | |  | |
| x4 | | x8 | | x4 | |

Step 8

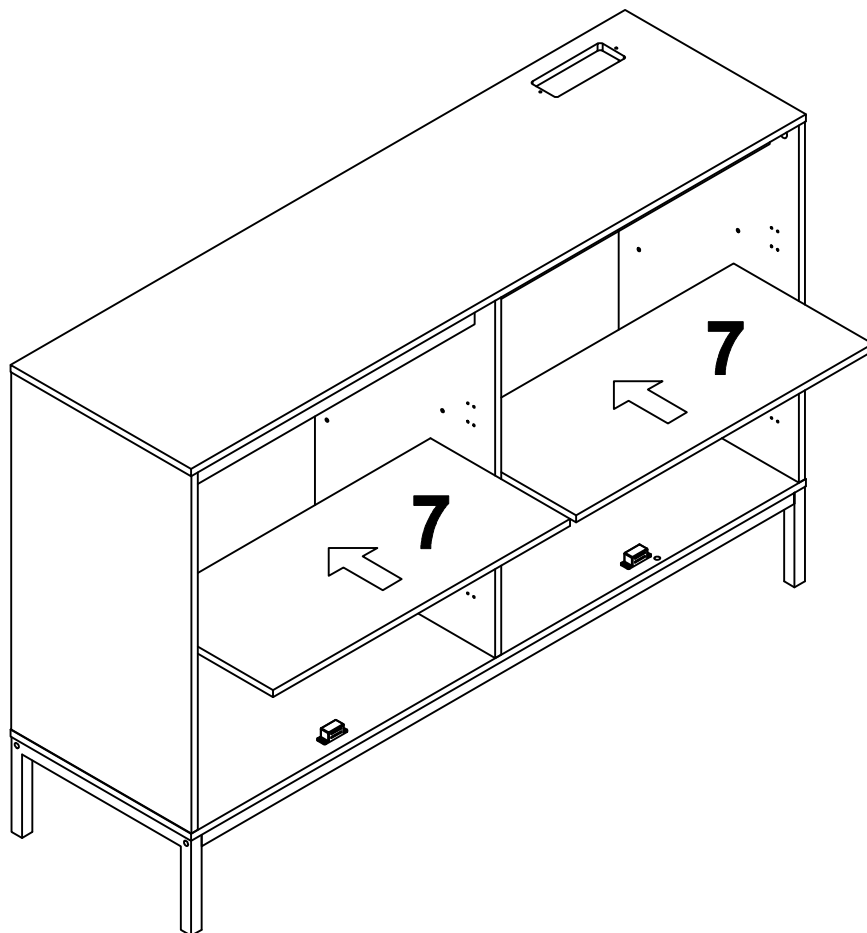


| | |
|---|-------|
| K | M6x10 |
|  | |
| x2 | |

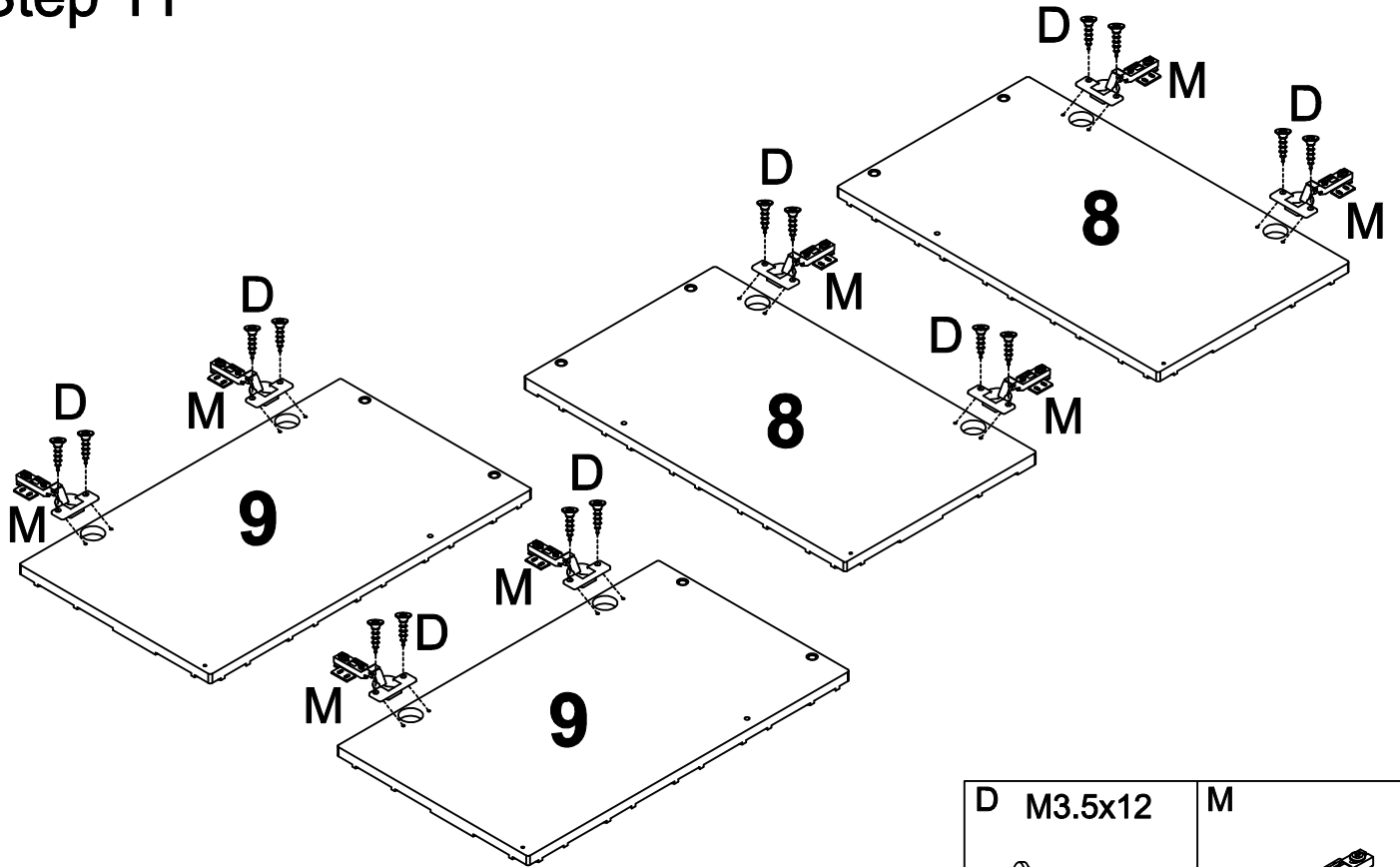
Step 9

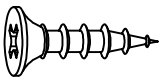



Step 10

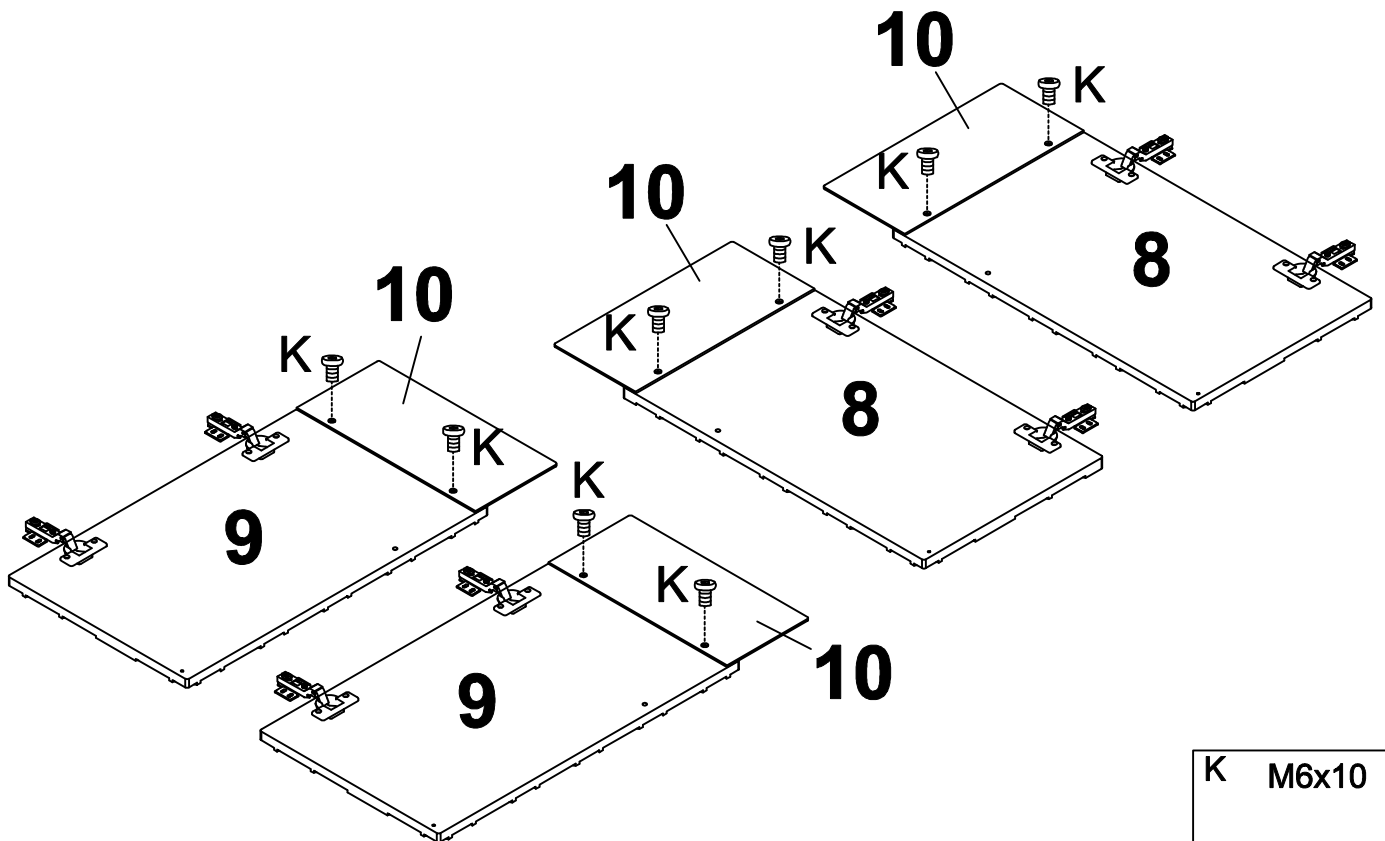


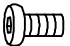
Step 11



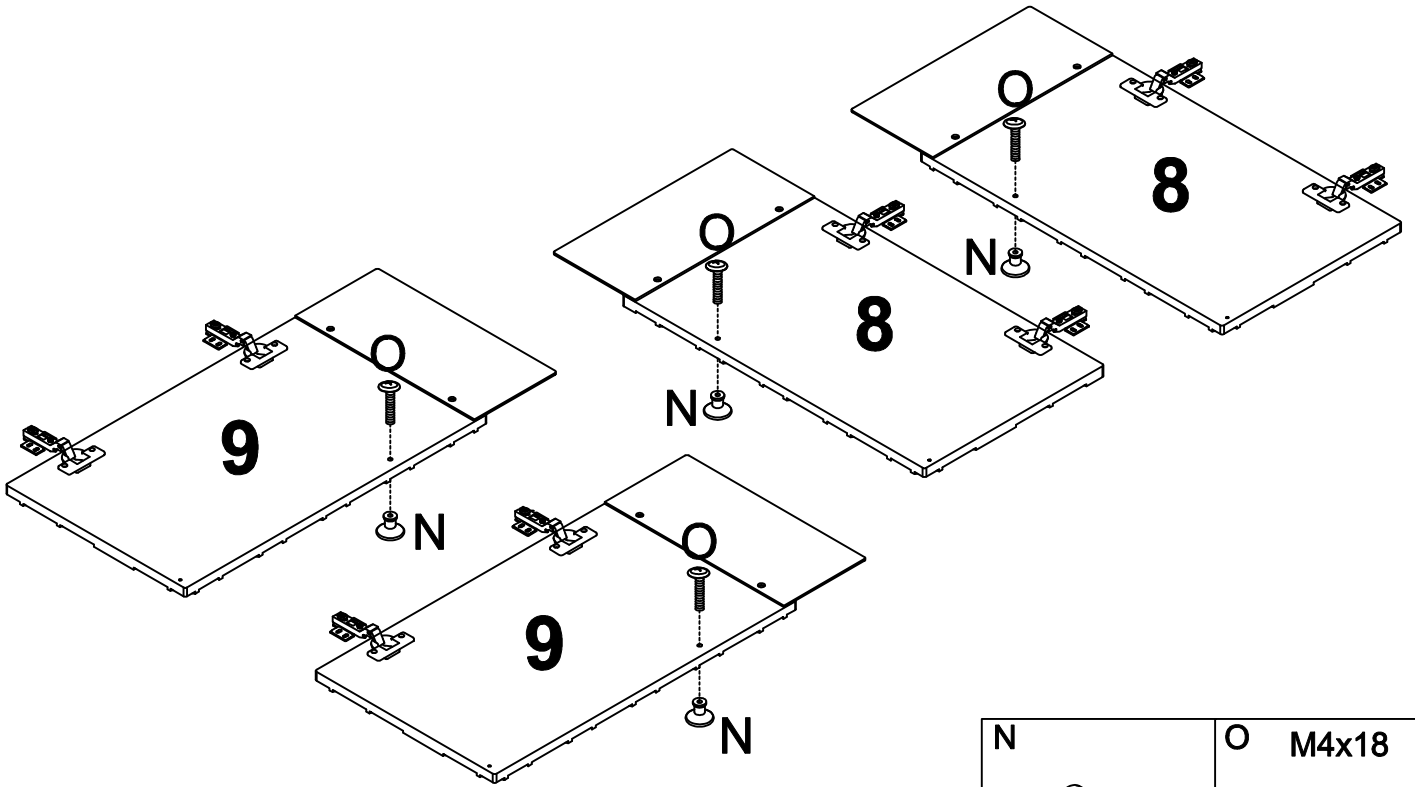
| | |
|--|--|
| D M3.5x12 | M |
|  |  |
| x16 | x8 |



Step 12



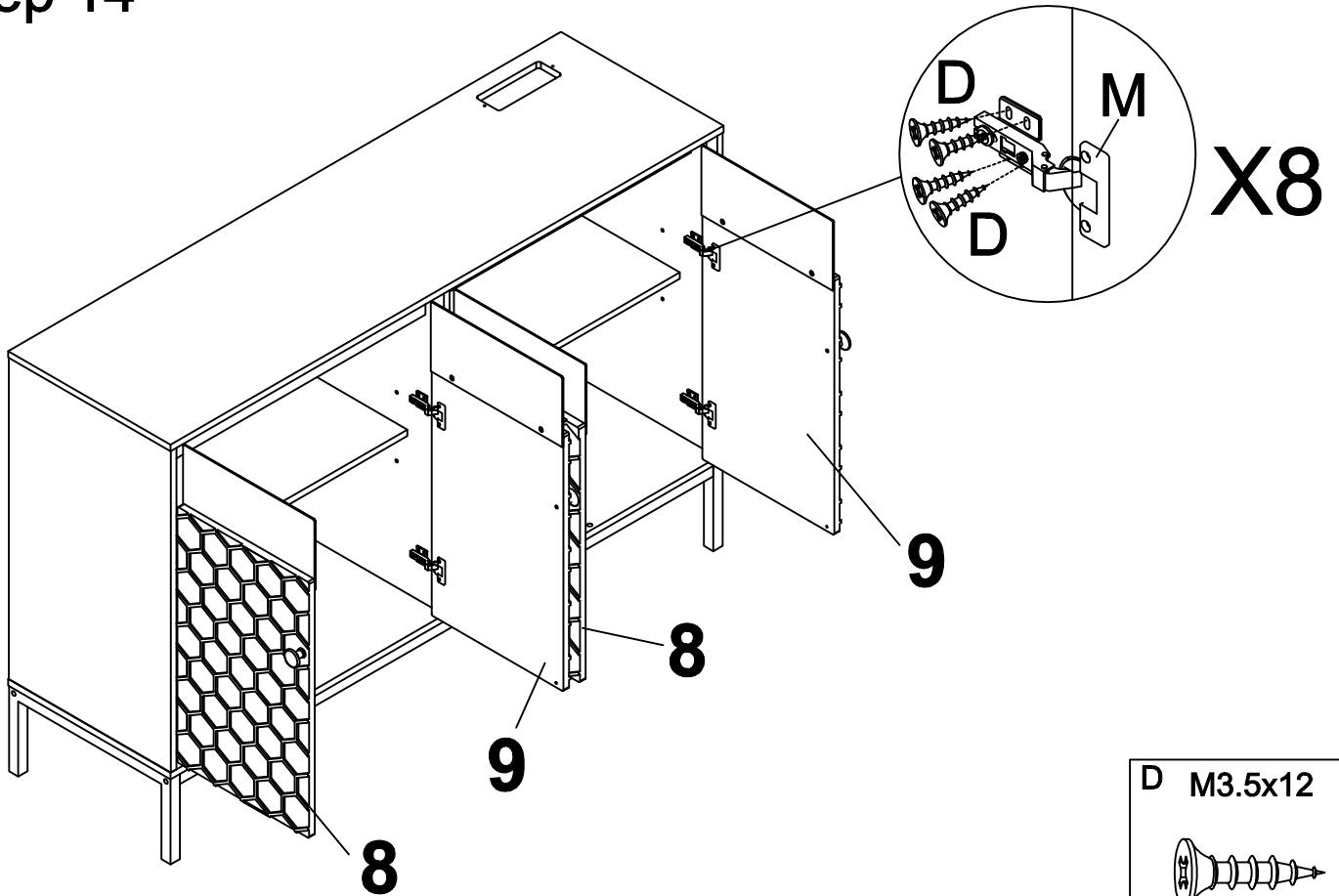
| |
|---|
| K M6x10 |
|  |
| x8 |

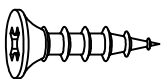
Step 13



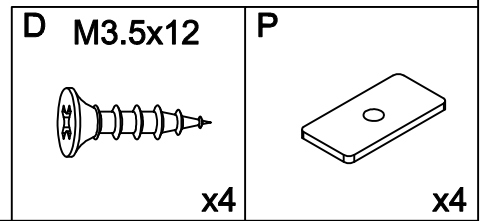
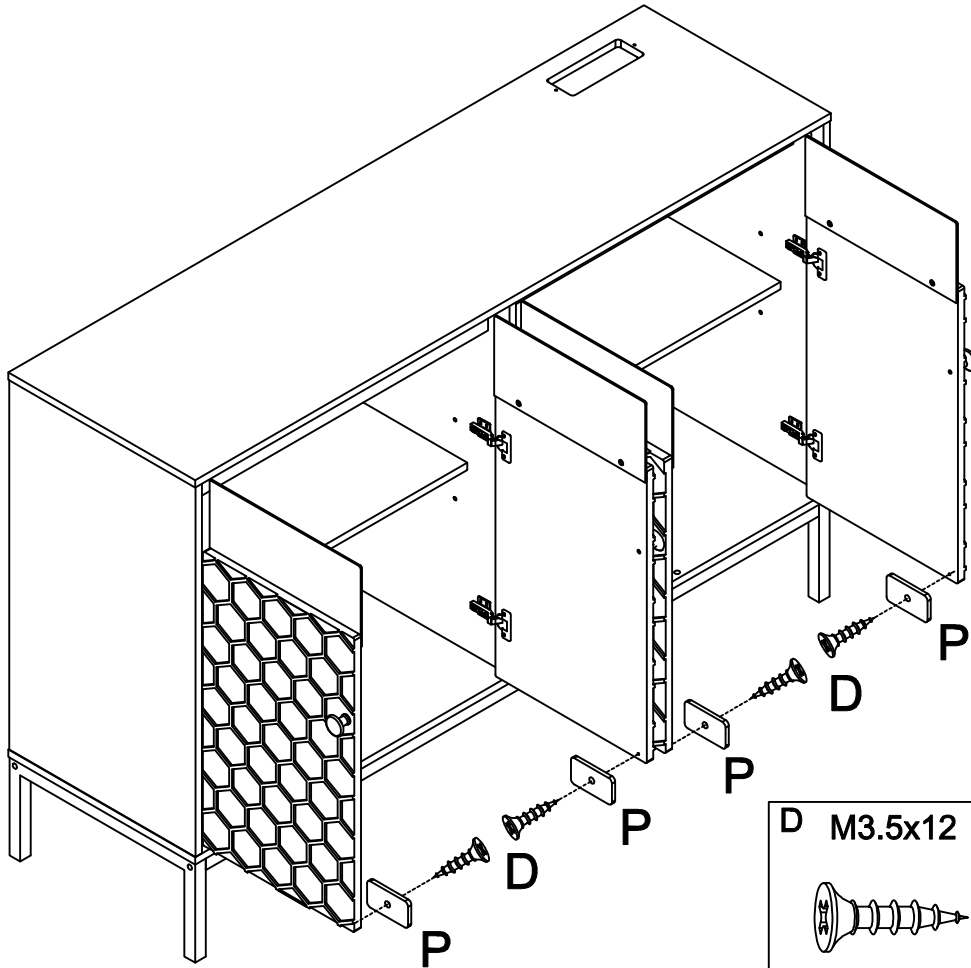
| | |
|---|---|
| N  x4 | O M4x18  x4 |
|---|---|

Step 14

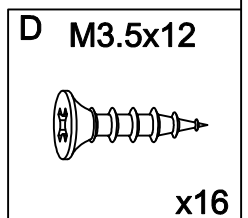
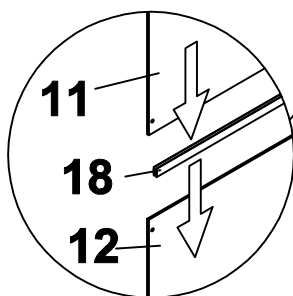
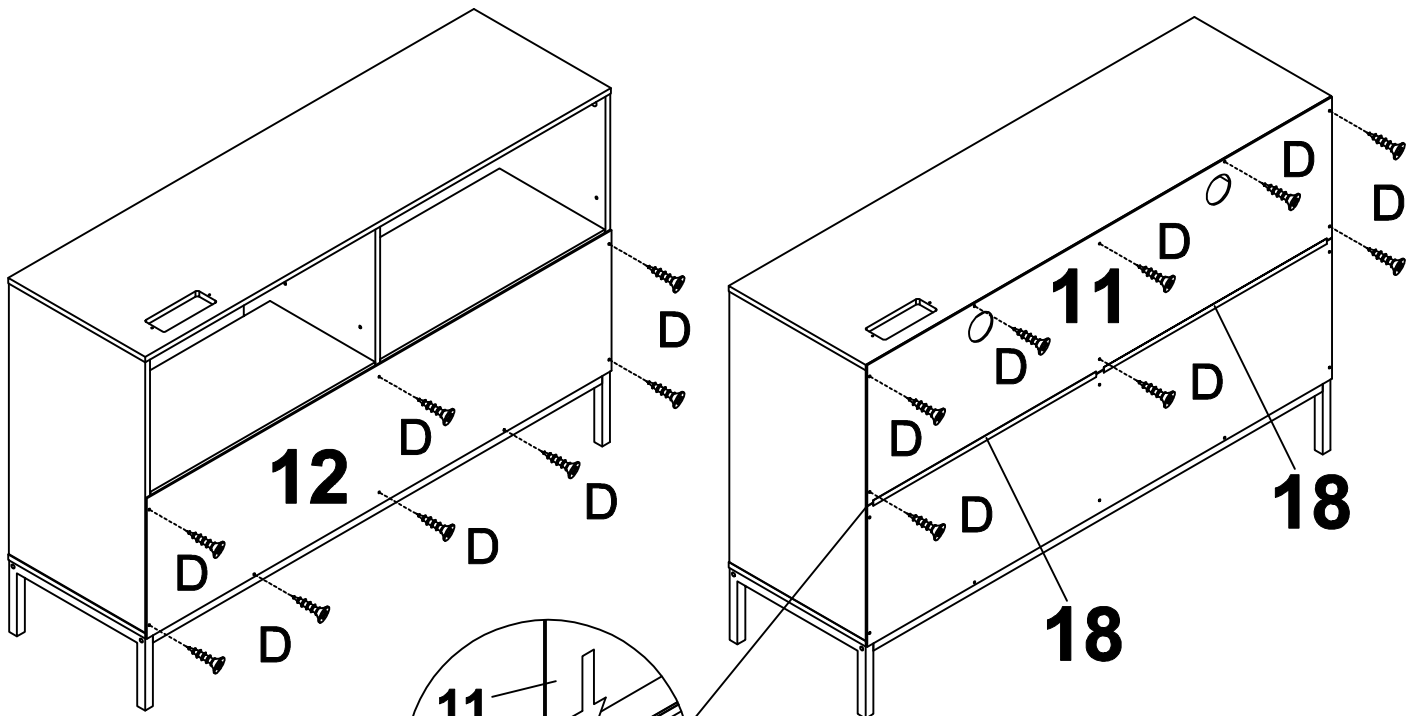


| |
|---|
| D M3.5x12  x32 |
|---|

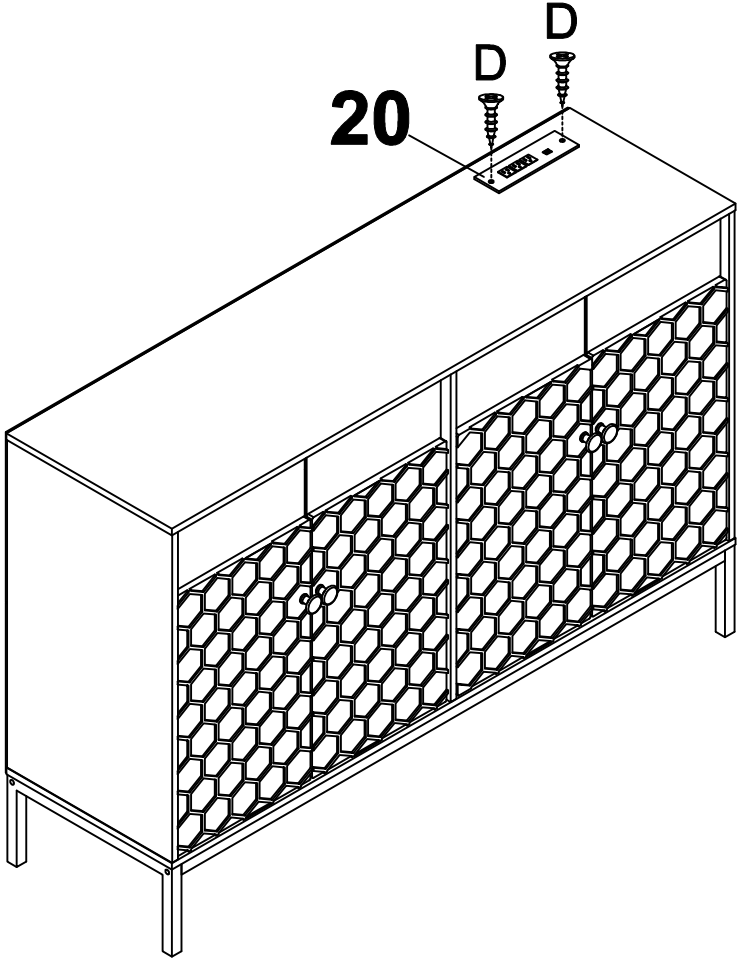
Step 15



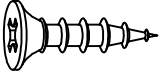
Step 16



Step 17

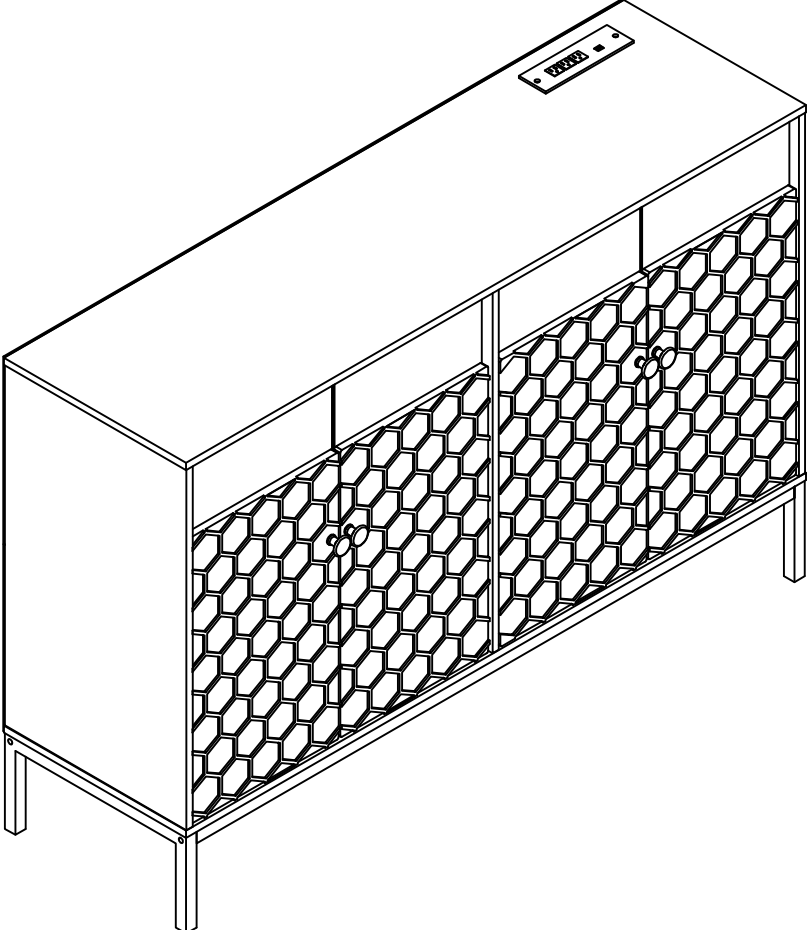


D M3.5x12



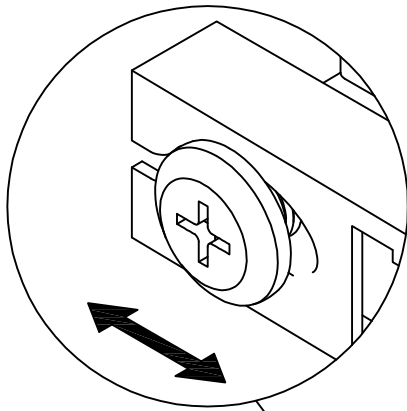
x2

Finish !!!

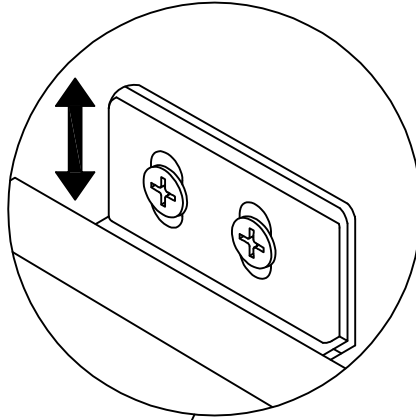


Hinge Installation Diagram

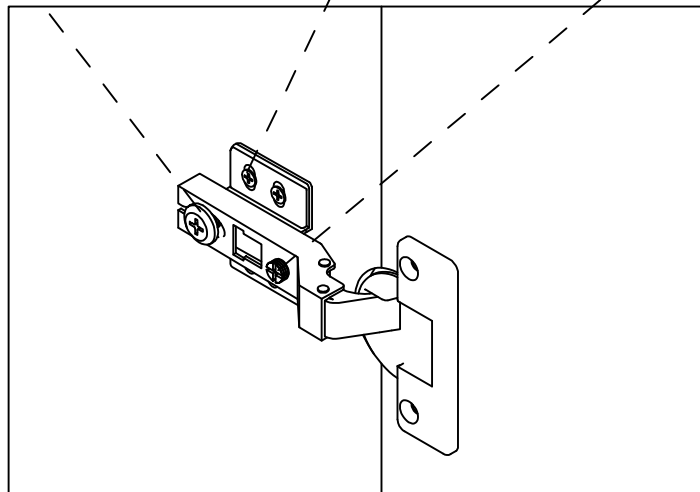
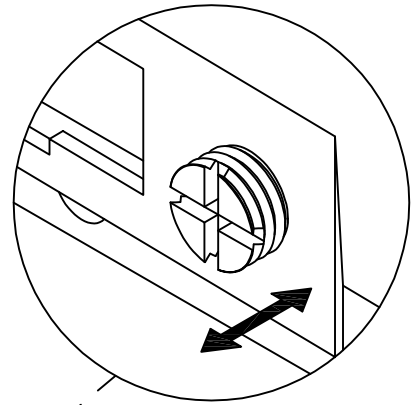
Left and Right



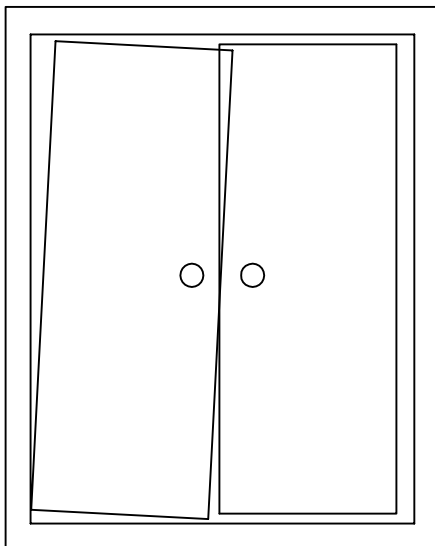
Up and Down



Back and Forth



Before



After

