
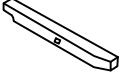






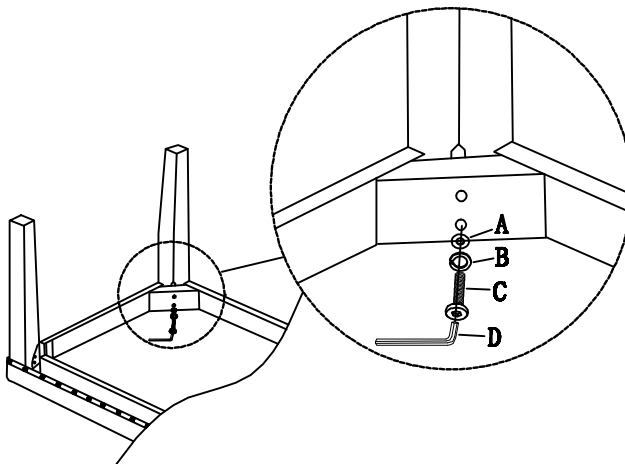
CB162

ASSEMBLY INSTRUCTION

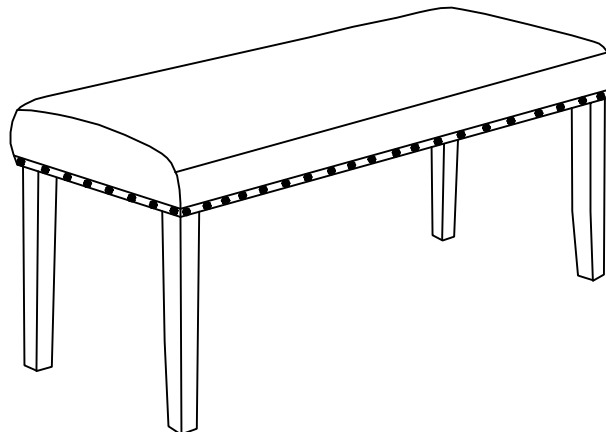
PARTS			
1		SEAT	1PC
2		LEG	4PC

HARDWARE LIST			
A		Ø 5/16"*22mm	8PCS
B		Ø 5/16"	8PCS
C		Ø 5/16"*2-1/4"	8PCS
D		5MM	1PC

STEP1



STEP2



Do not tighten screws until completely assembled