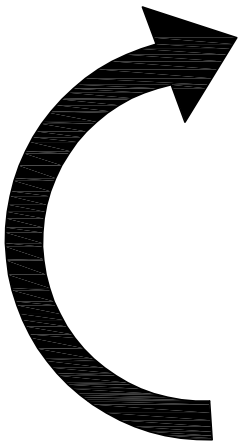
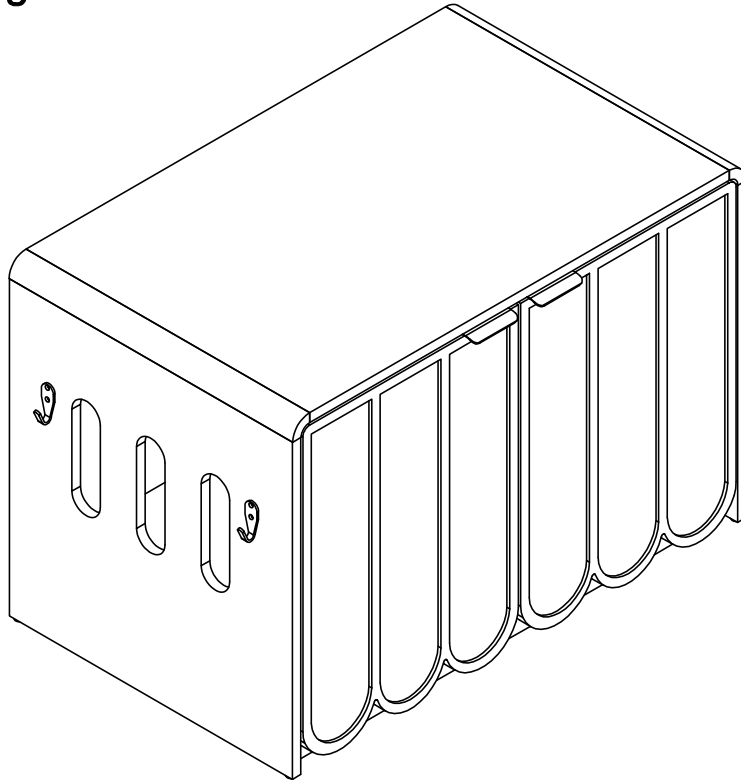
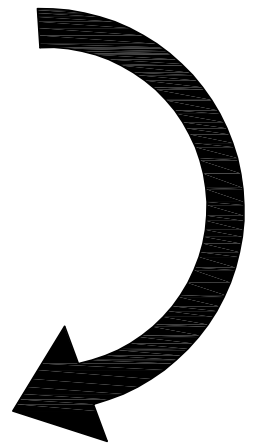
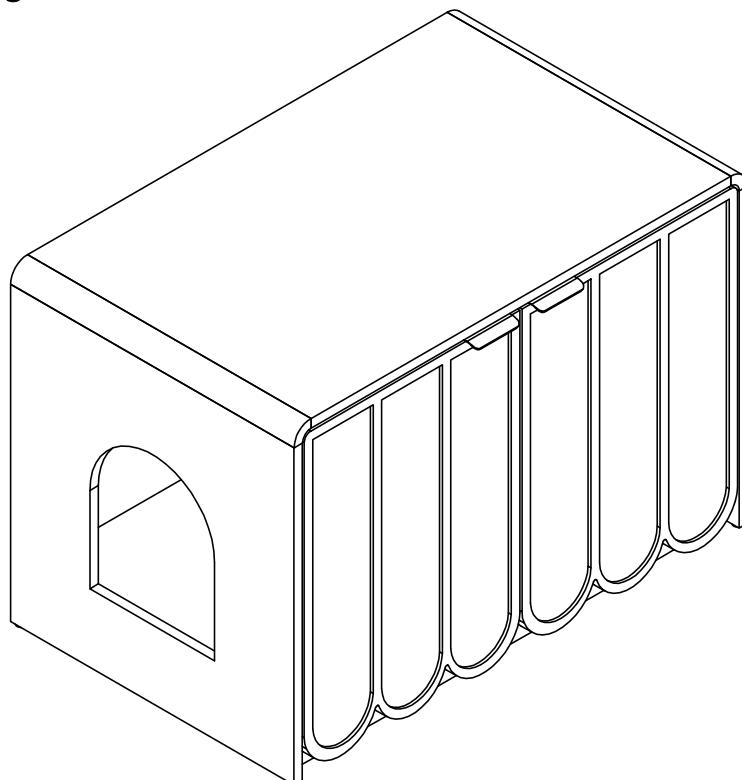


Installation Instruction

The arched door is located on the right side.
For assembly instructions, please refer to
pages 5-14 in the manual.



The arched door is located on the left side.
For assembly instructions, please refer to
pages 15-23 in the manual.



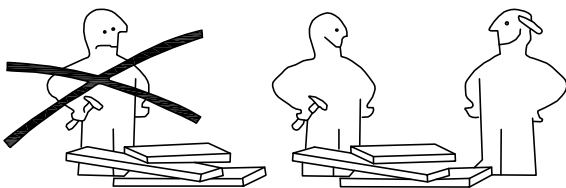
Assembling

What you need

- Use the packaging carton as a working surface to prevent product damage during assembly
- Phillips head screwdriver
- We recommend that two people use a power drill for easier and more efficient assembly.



Weight Limitation

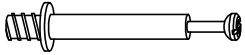


What' included

Code	Description	Qty
A	Cam Bolt M6X35MM	26
B	Cam Lock 15X10MM	26
C	Wooden Dowel M8X30MM	24
D	Screw M4X40MM	2
E	Screw M3.5X14MM	44
F	Metal shake handhandle	2
G	Metal connector	2
H	Shelf Holder	4
I	Iron absorption	1
J	The back button	10
K	Anchor	2
L	Mats	4
M	Screw M3.5X16MM	2
N	Self-adhesive hole sticker	26
O	Metal hook	2

The Hardwares

A



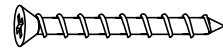
B



C



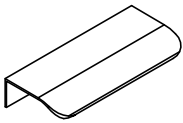
D



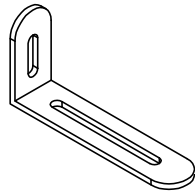
E



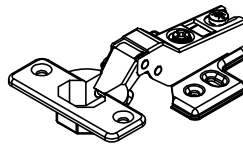
F



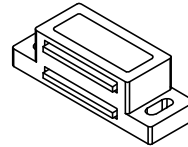
G



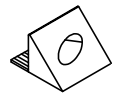
H



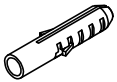
I



J



K



L



M



N



O



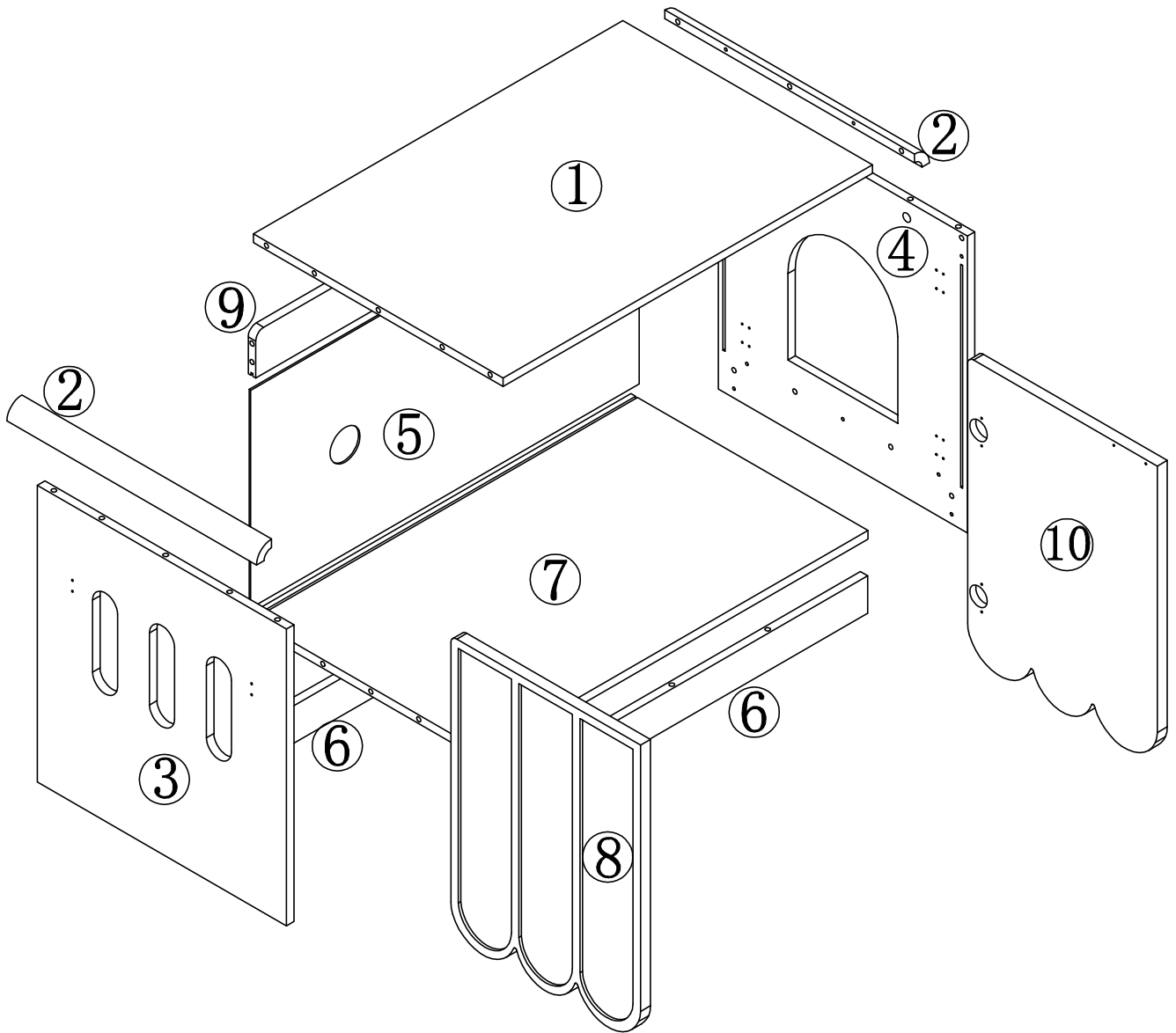
IMPORTANT:

1. Do not tighten bolts / screws completely until all bolts / screws are lined up and inserted into holes.
2. Do not over tighten screws and bolts to avoid stripping
3. You can use a screwdriver. Power tools can also be used. (Be careful with power tools)

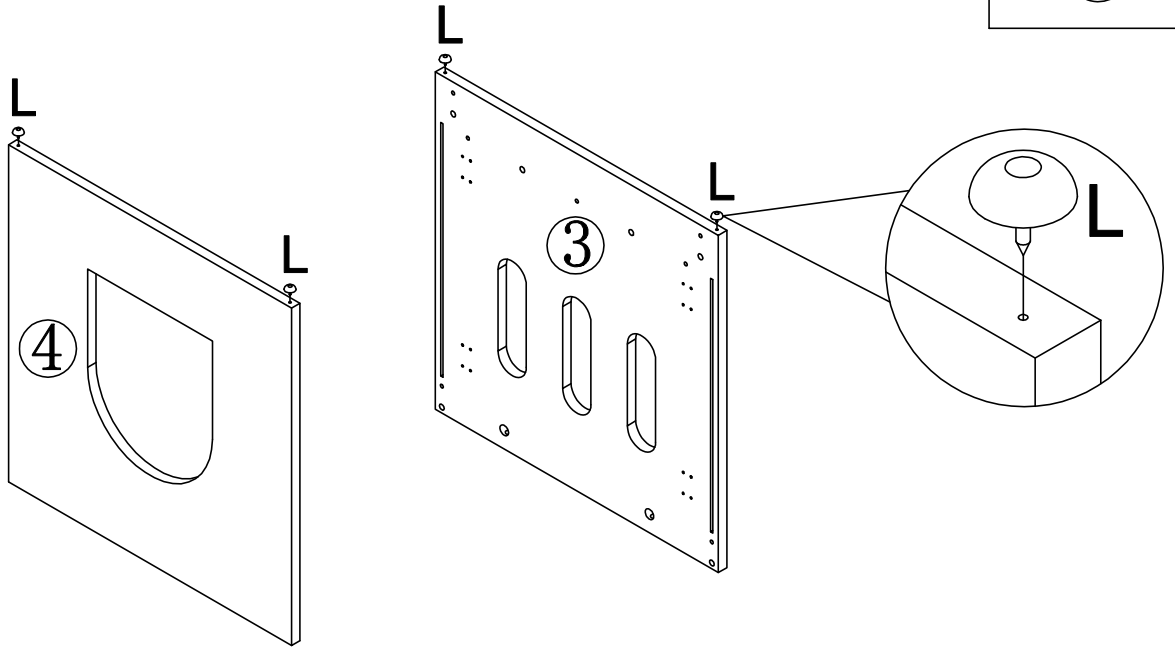
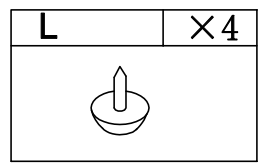
Included Accessories

Code	Description	Qty
1	Cabinet Top	1
2	Arc connecting plate	2
3	Left Side Panel	1
4	Right Side Panel	1
5	Upper back plate	1
6	Bottom plate reinforcing plate	2
7	Bottom Panel	1
8	Left door panel	1
9	Panel reinforcing plate	1
10	Right door panel	1

The Accessoriess

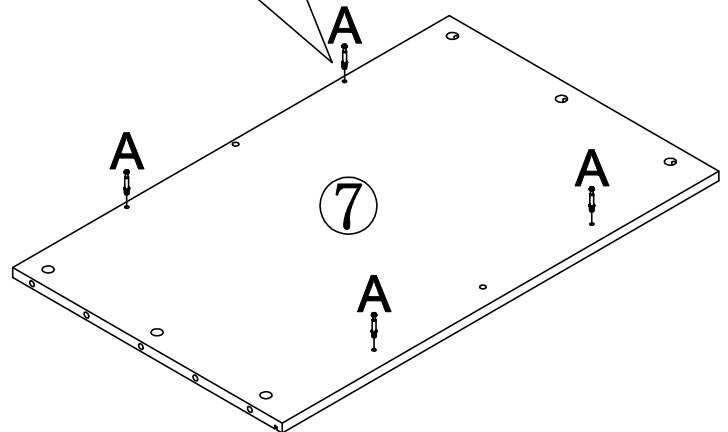
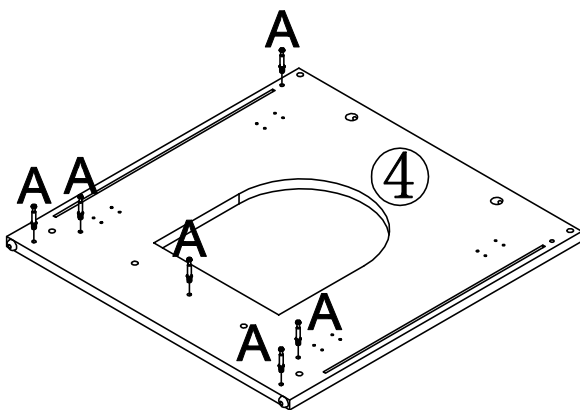
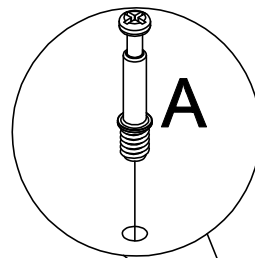
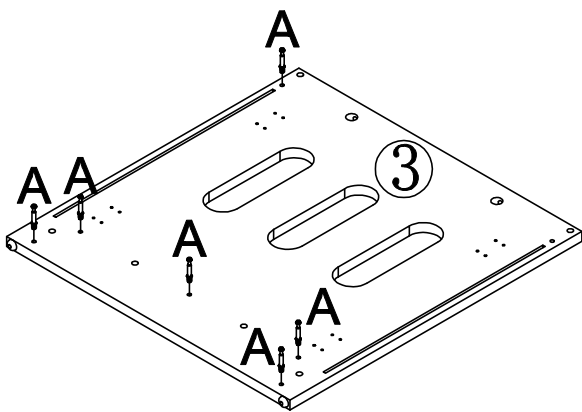
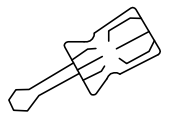
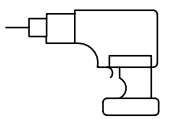
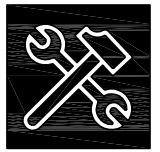
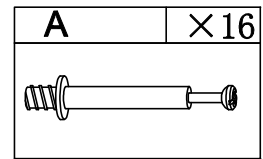


Step 1



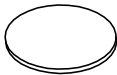


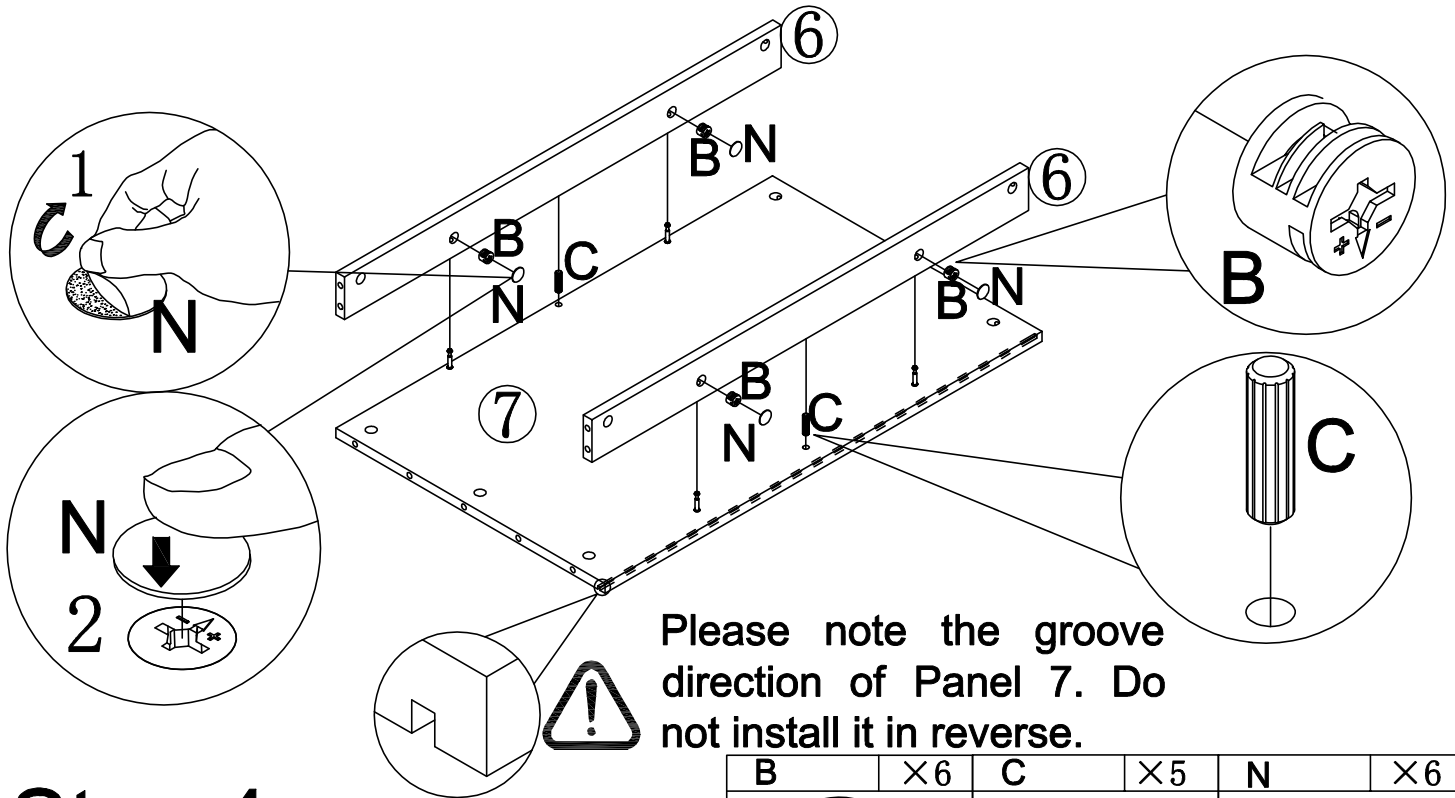
Please install the foot pads to prevent scratching your floor.

Step 2



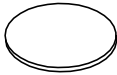


Step 3

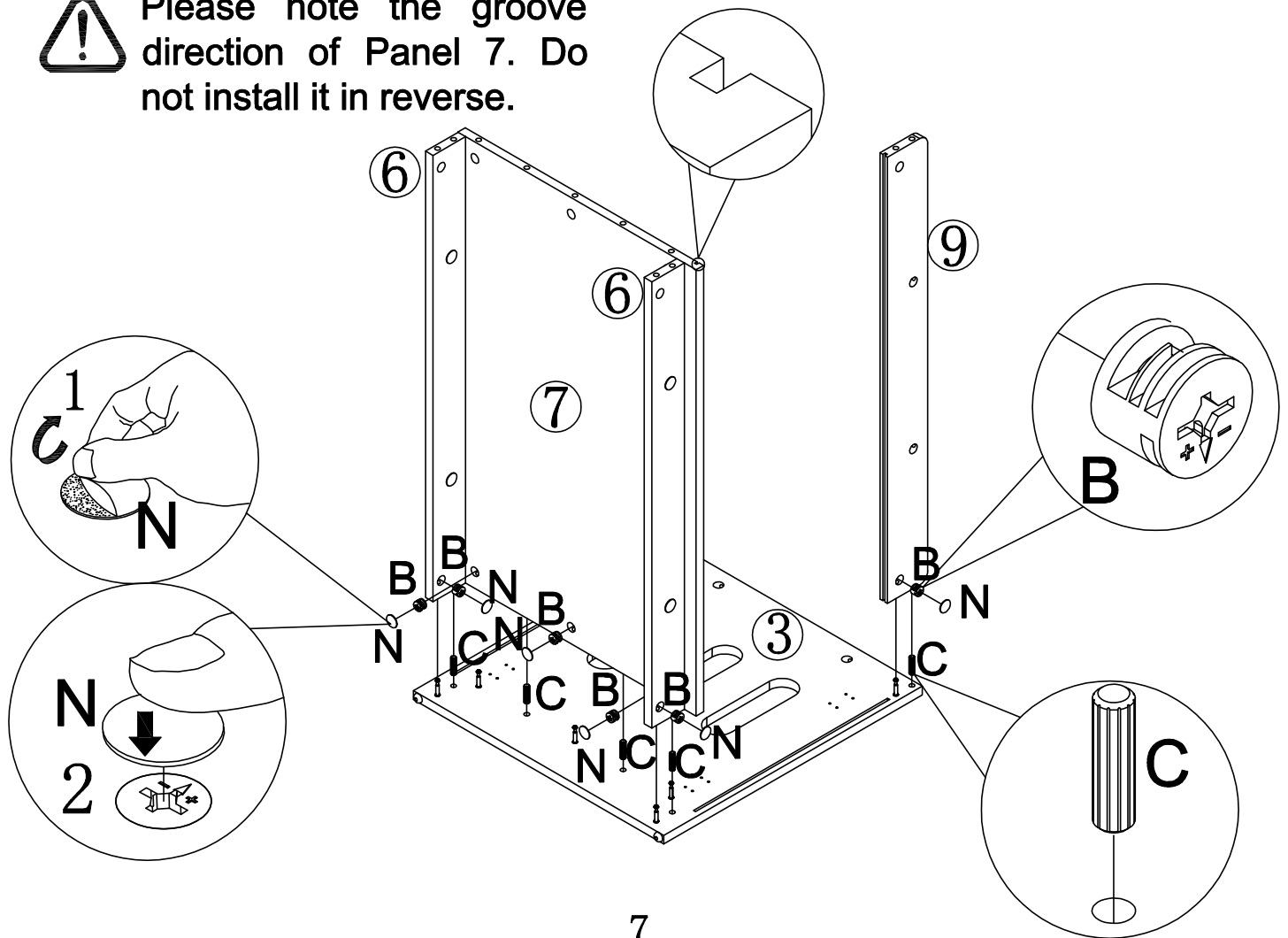
B	×4	C	×2	N	×4
					



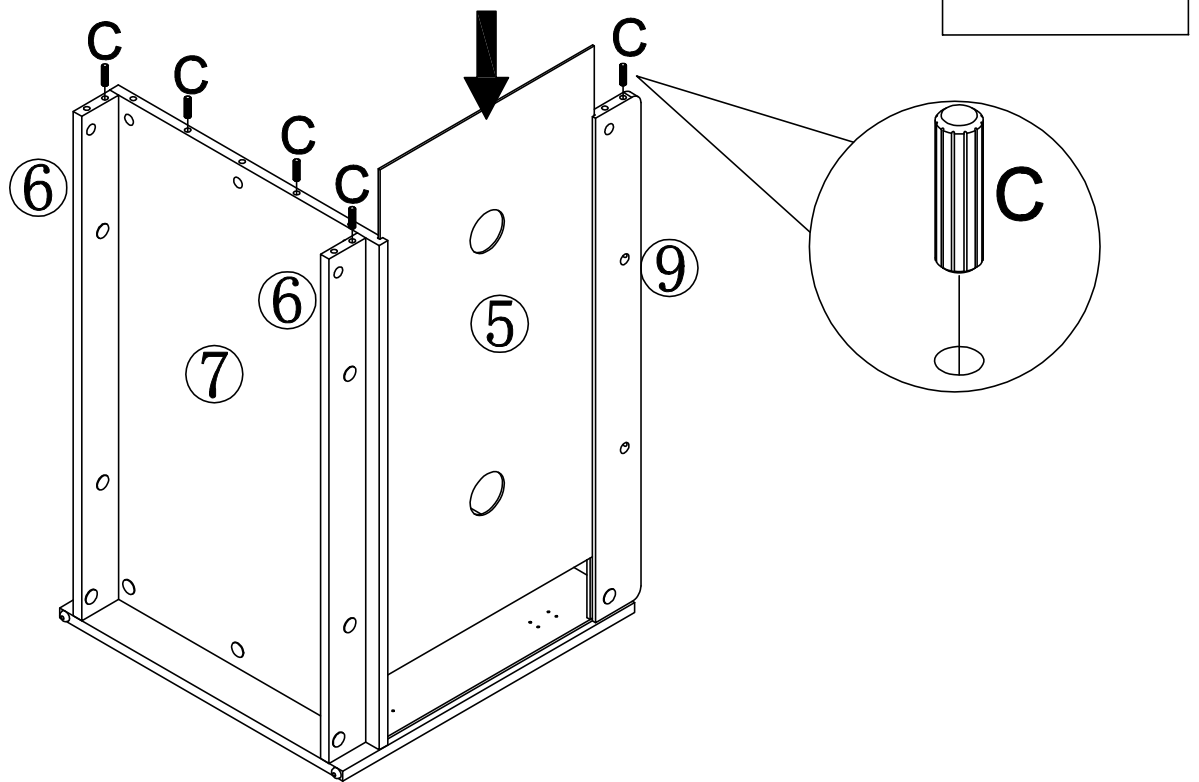
Step 4

B	×6	C	×5	N	×6
					

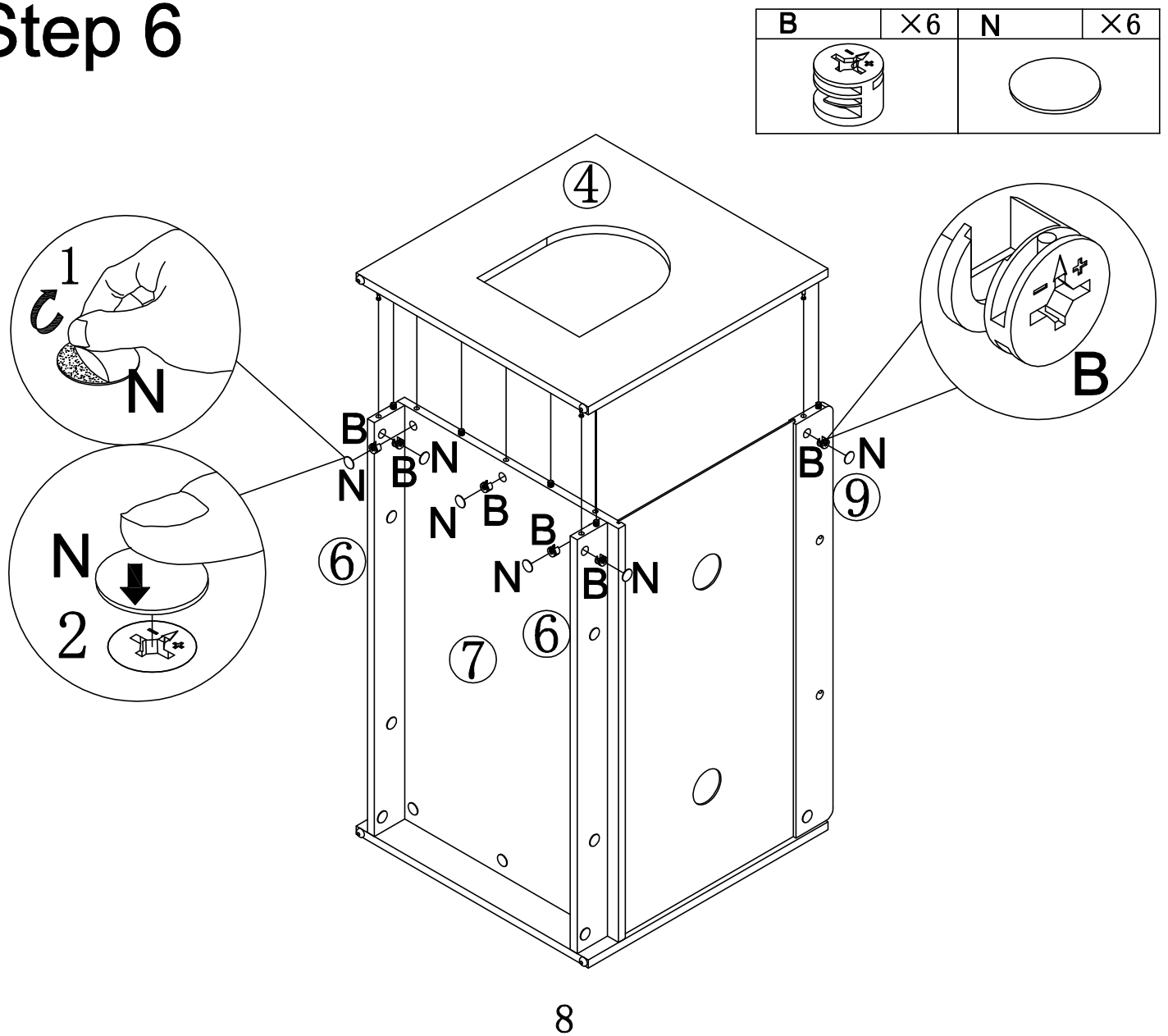
! Please note the groove direction of Panel 7. Do not install it in reverse.




Step 5

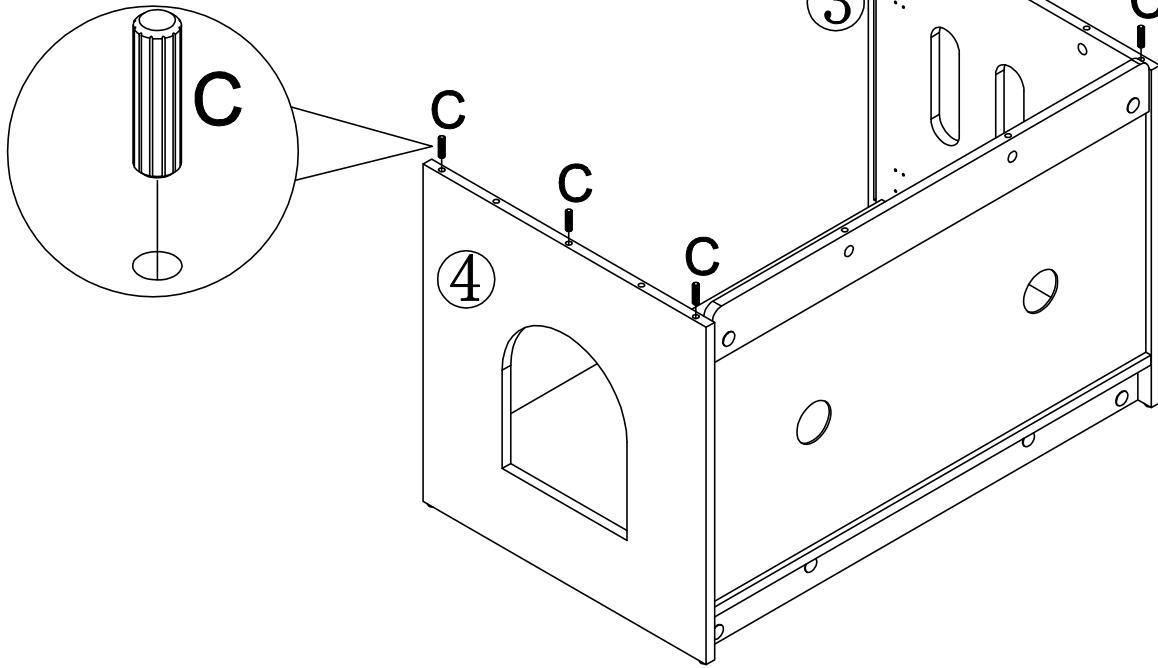


Step 6


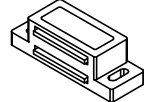



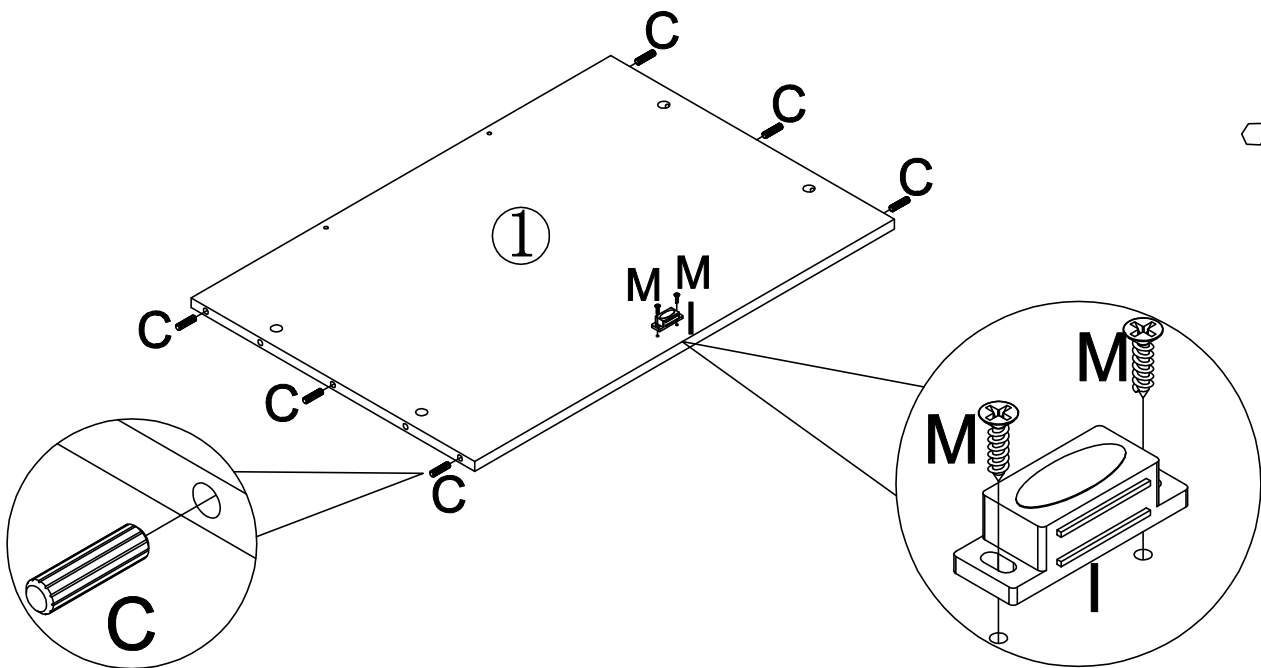
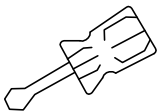
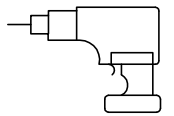
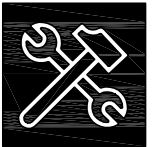
Step 7

C	X6
	

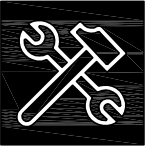
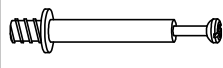


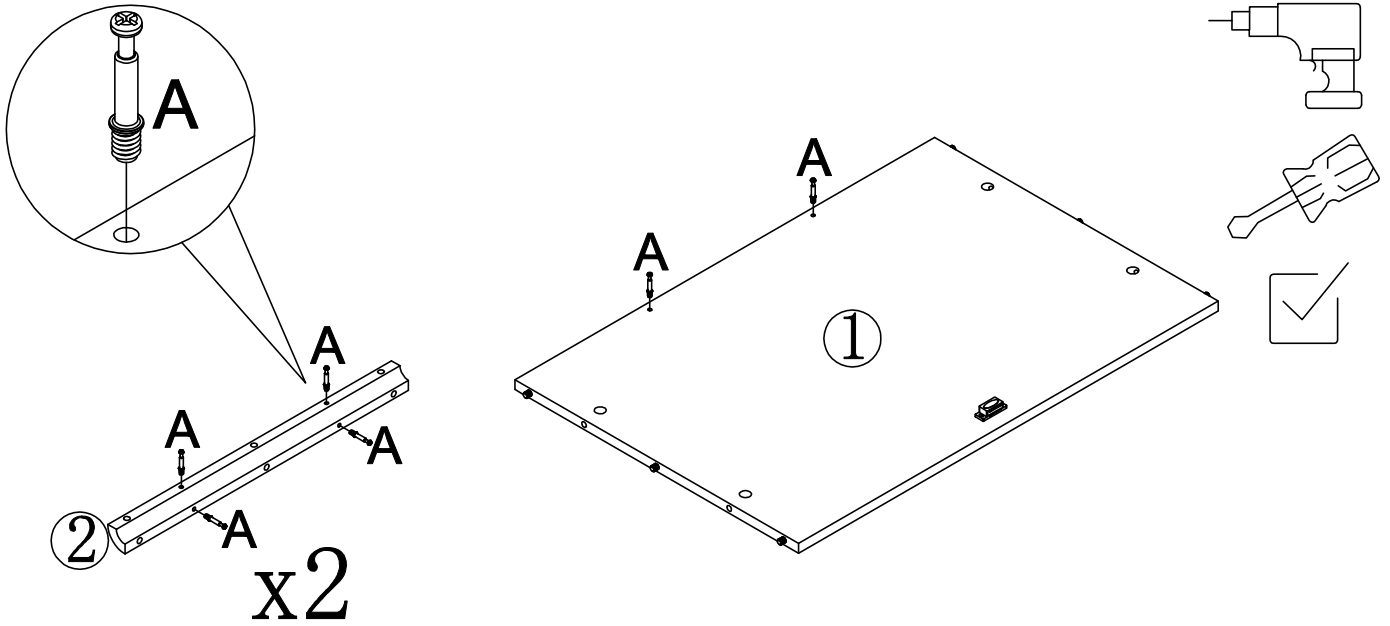
Step 8

C	X6	I	X1	M	X2
					





Step 9

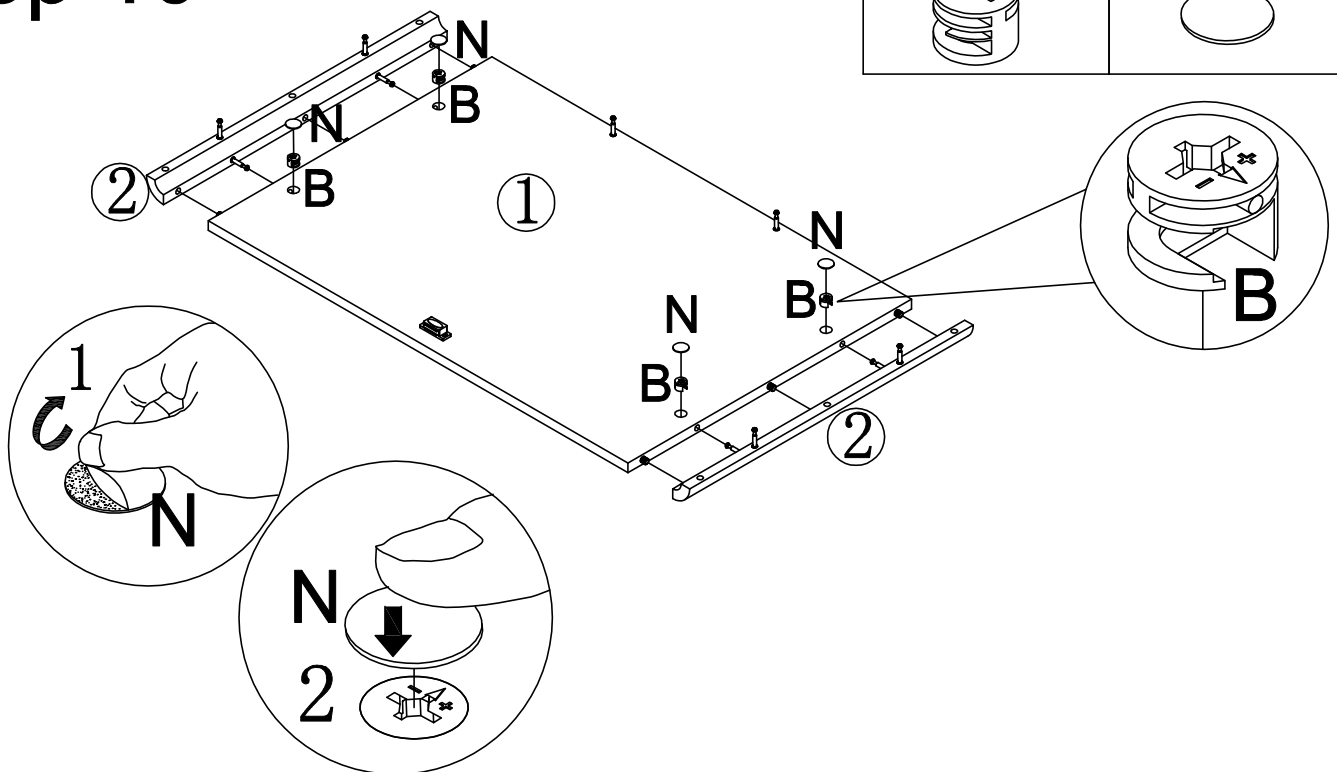
A	×10	
		





Note that when the No. 2 connecting plate is equipped with R Angle lock hardware A, it should be locked straight, not crooked, not very tight, and the normal lock is flat

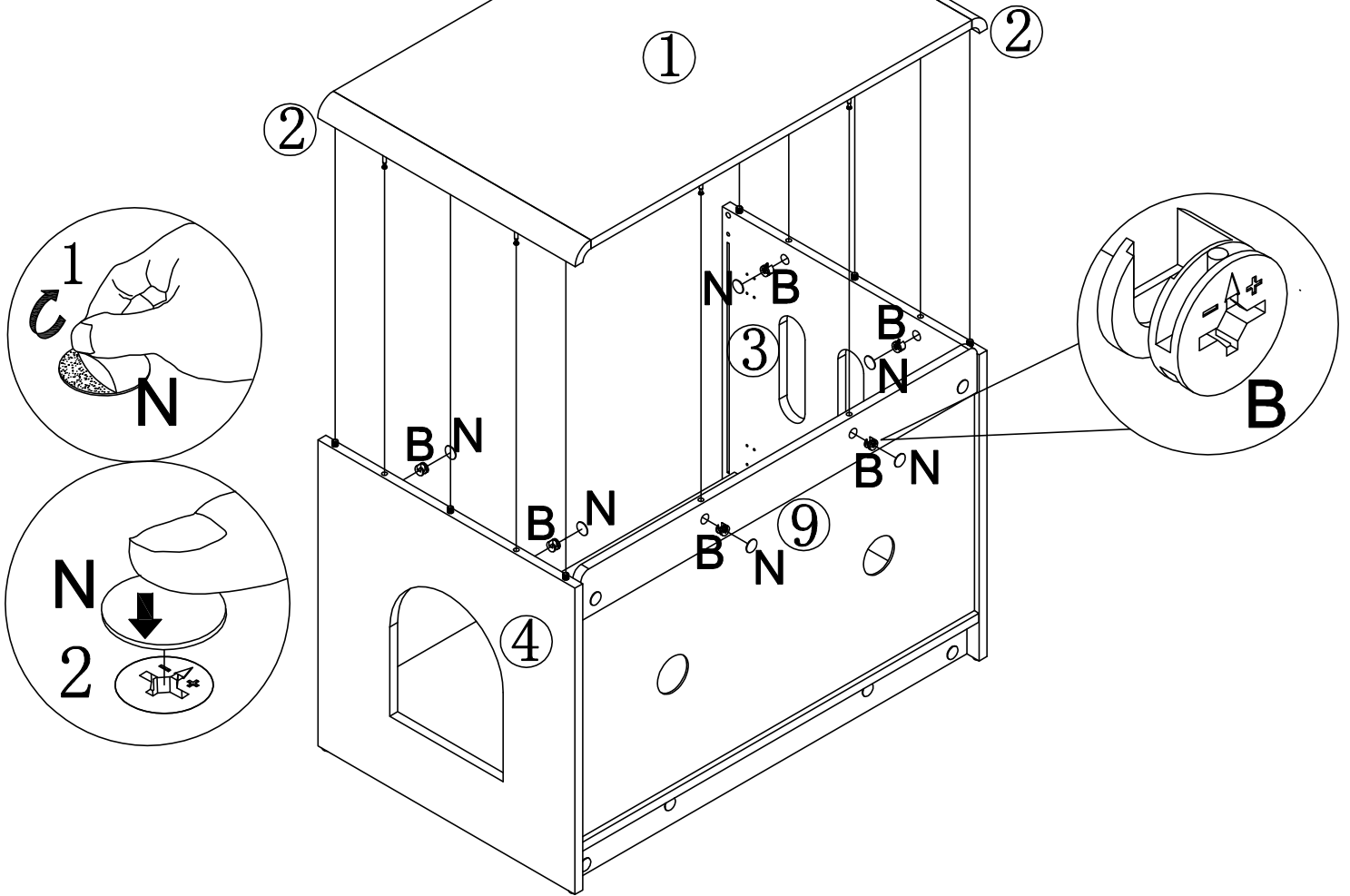
Step 10

B	×4	N	×4
			


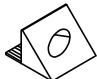


Step 11

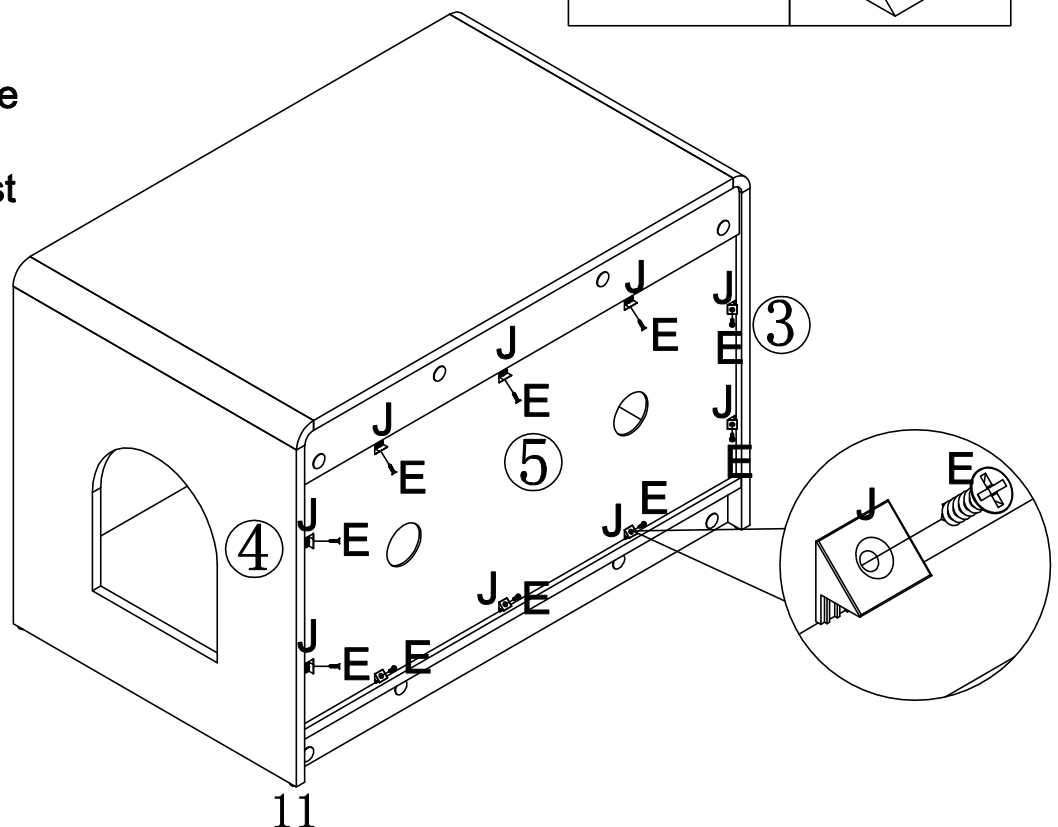
B	X6	N	X6
			





Step 12

E	X10	J	X10
			

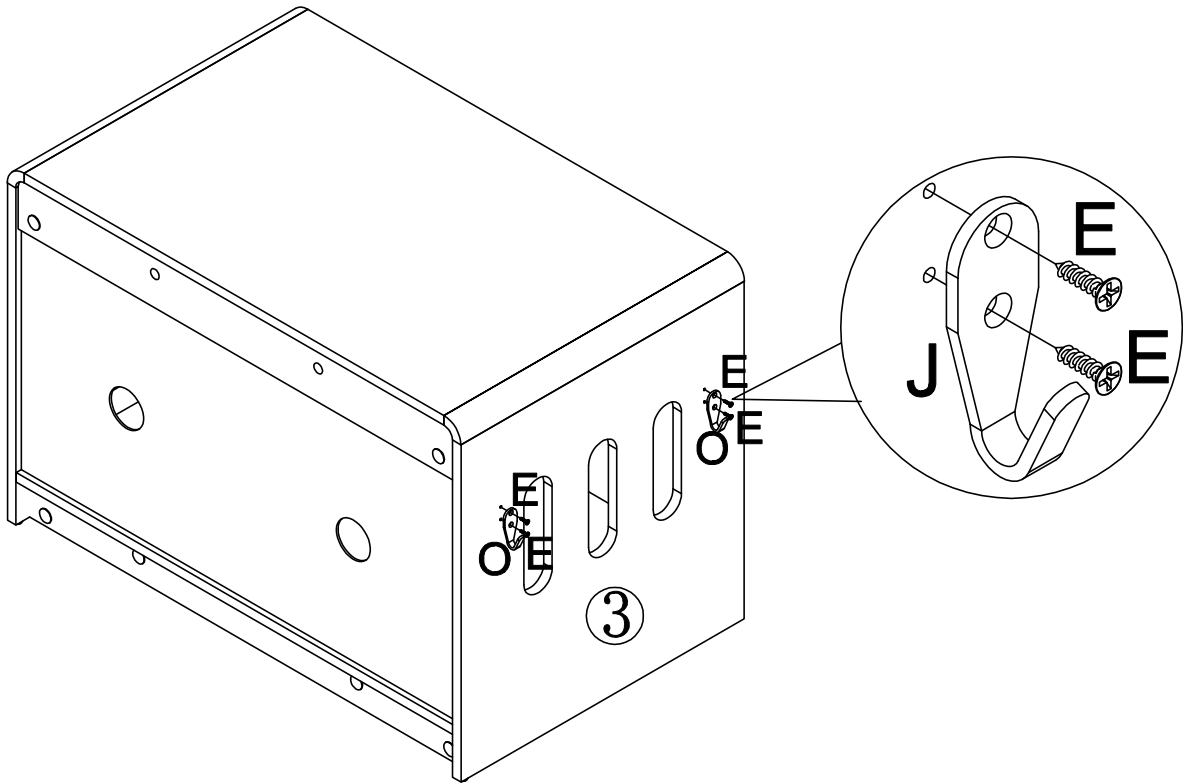
In order to ensure more stability of the product, E and J accessories must be installed according to the instructions. Failure to install will cause the product to easily shake.




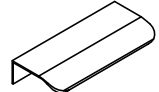
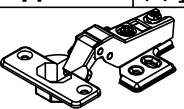
Step 13

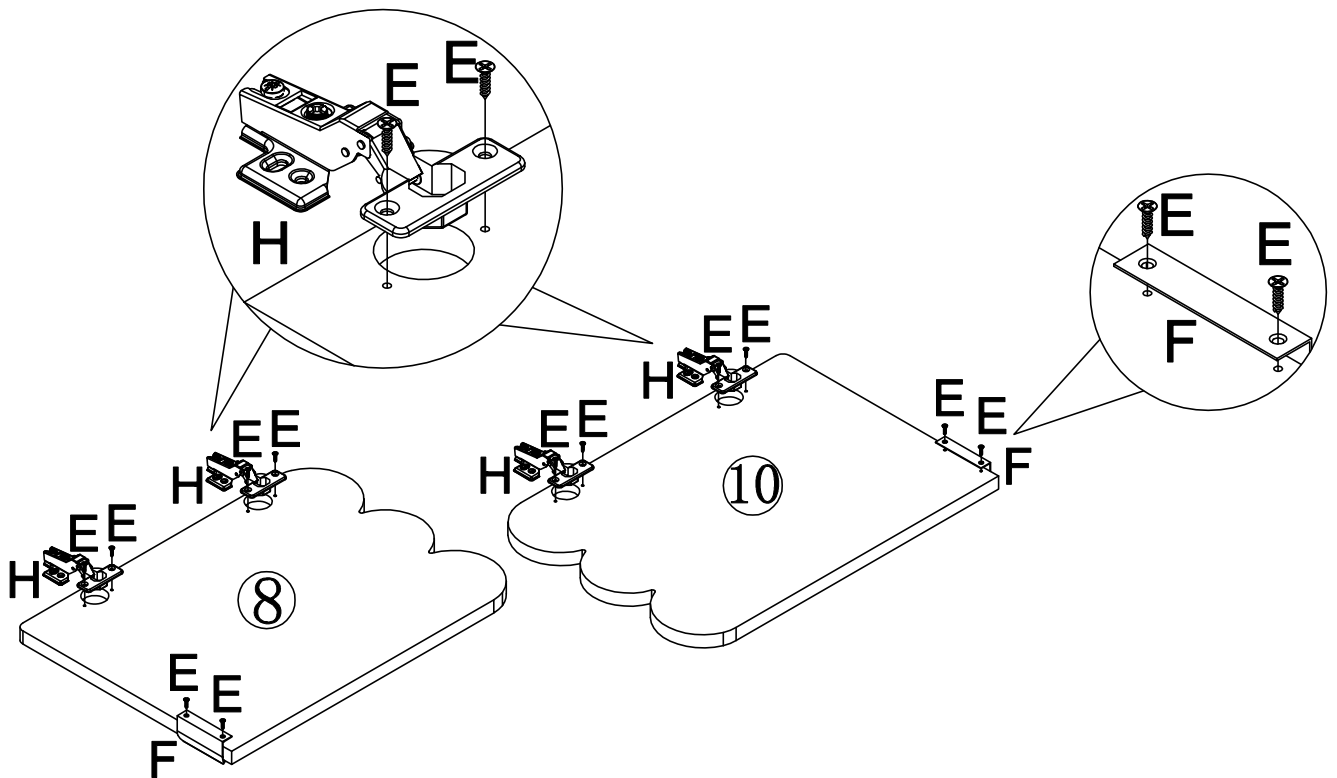
E	×4	O	×2
			

Install the hooks if needed.
Otherwise, skip this step.




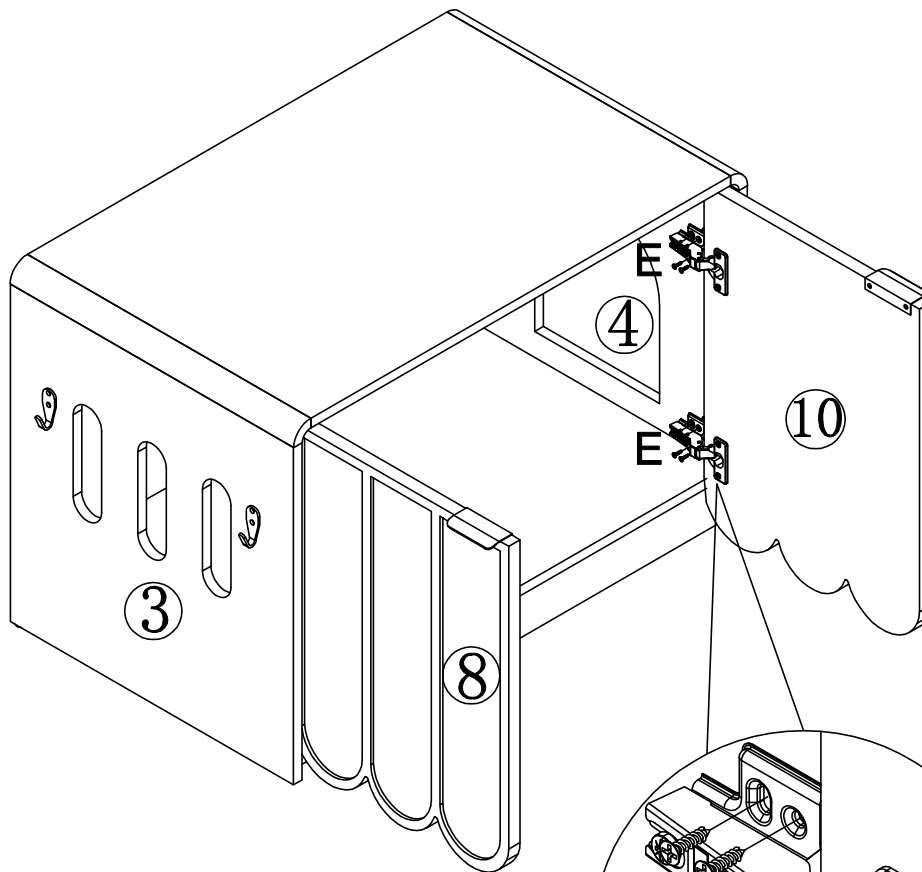
Step 14

E	×12	F	×2	H	×4
					

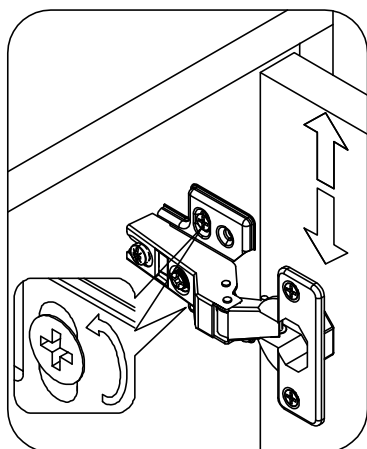
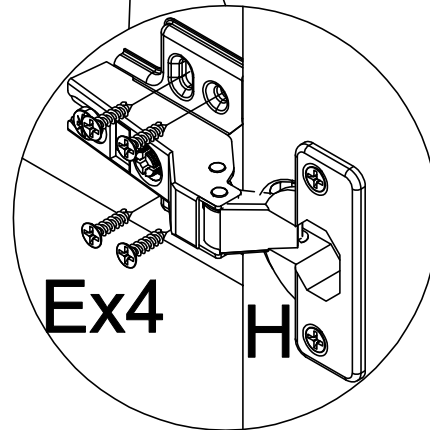


Step 15

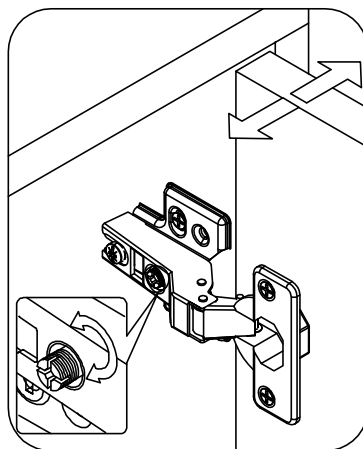
E	×16
	



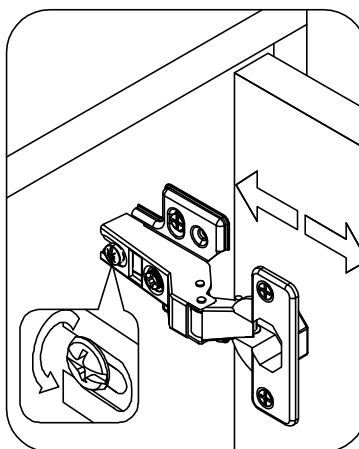
Adjust both hinges at the same time when making hinge adjustments.



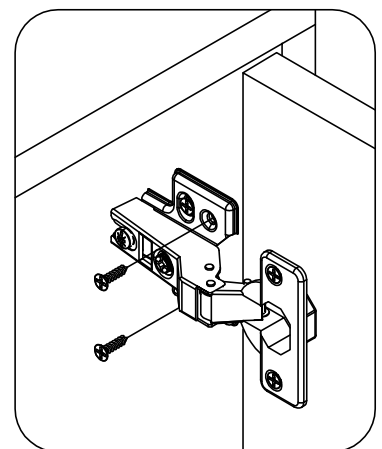
1. Adjust the screws shown in Figure 1 to adjust the door up and down.



2. Adjust the screws shown in Figure 2 and pull the door back and forth so that it can be opened smoothly.

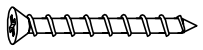
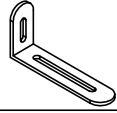
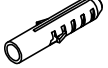


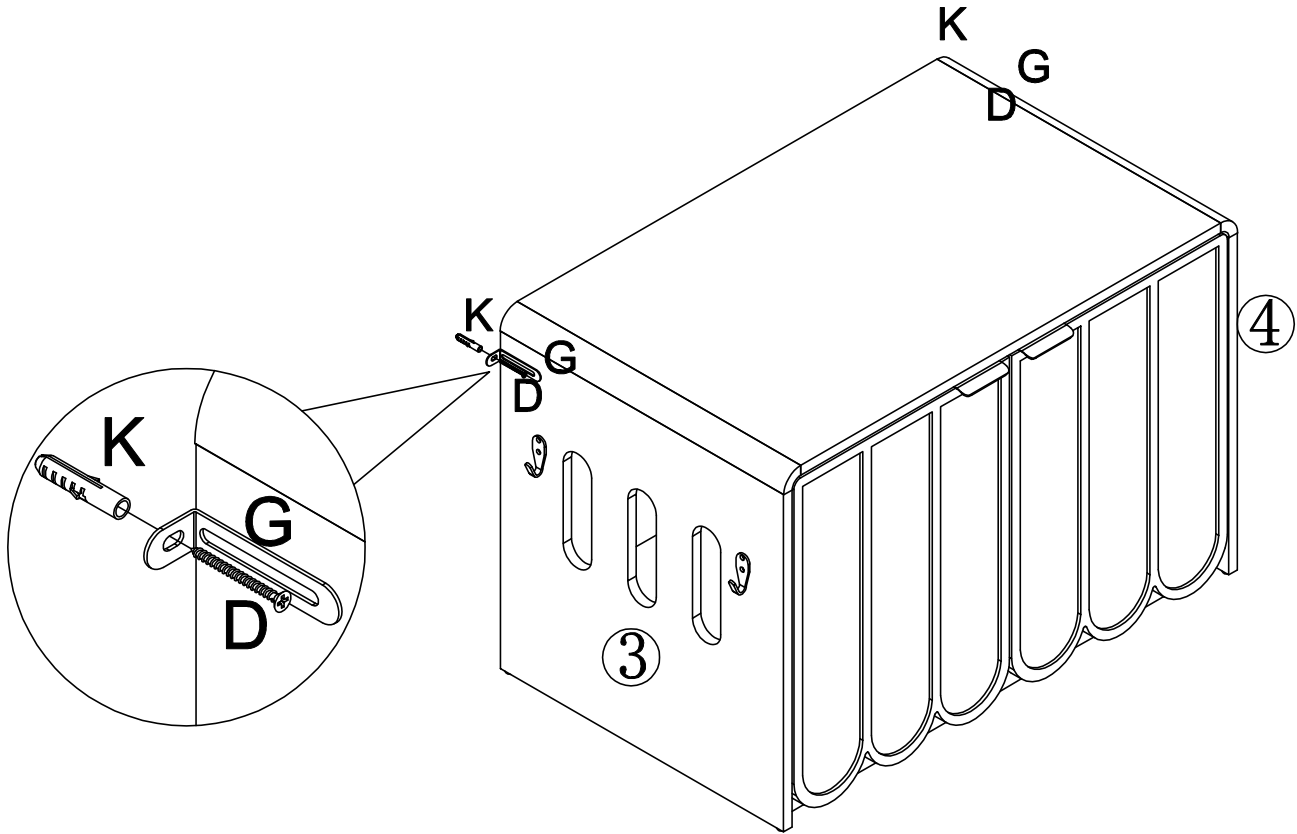
3. Adjust the screws shown in Figure 3 to adjust the door left and right to the right position.




4. After the adjustment is complete, install the remaining two screws to secure the door in place.

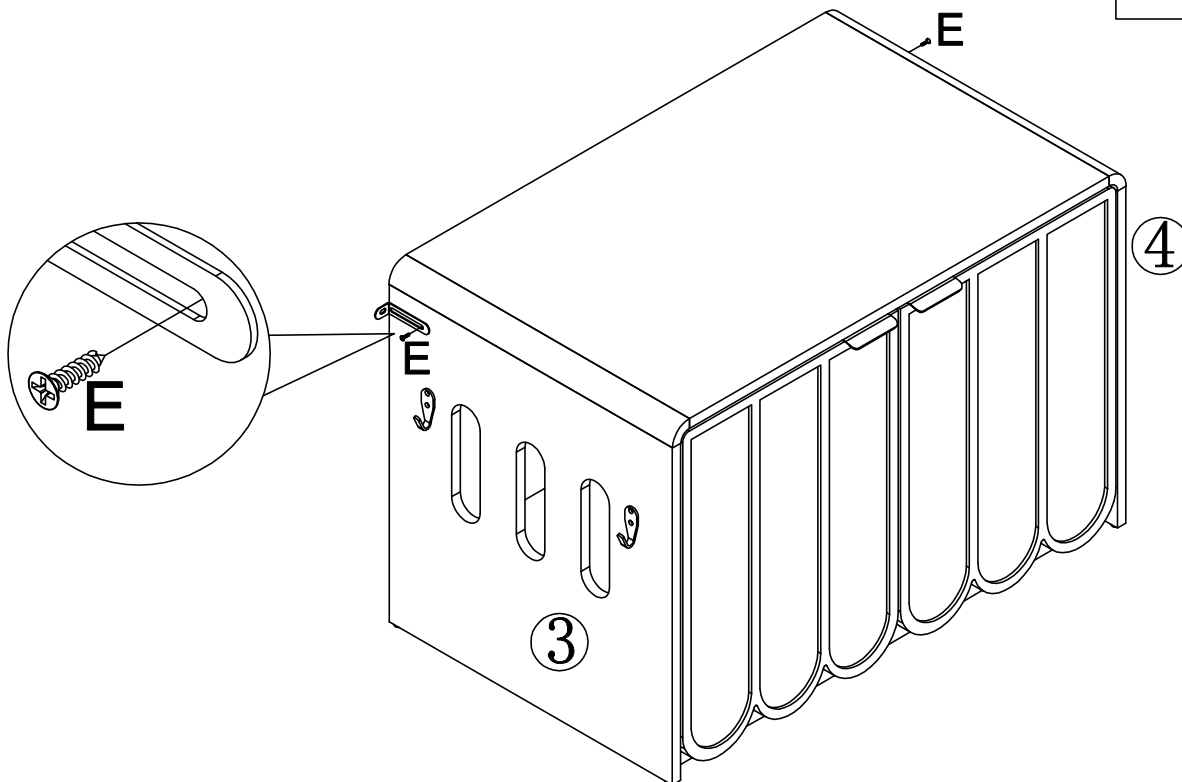
Step 16

D	X2	G	X2	K	X2
					

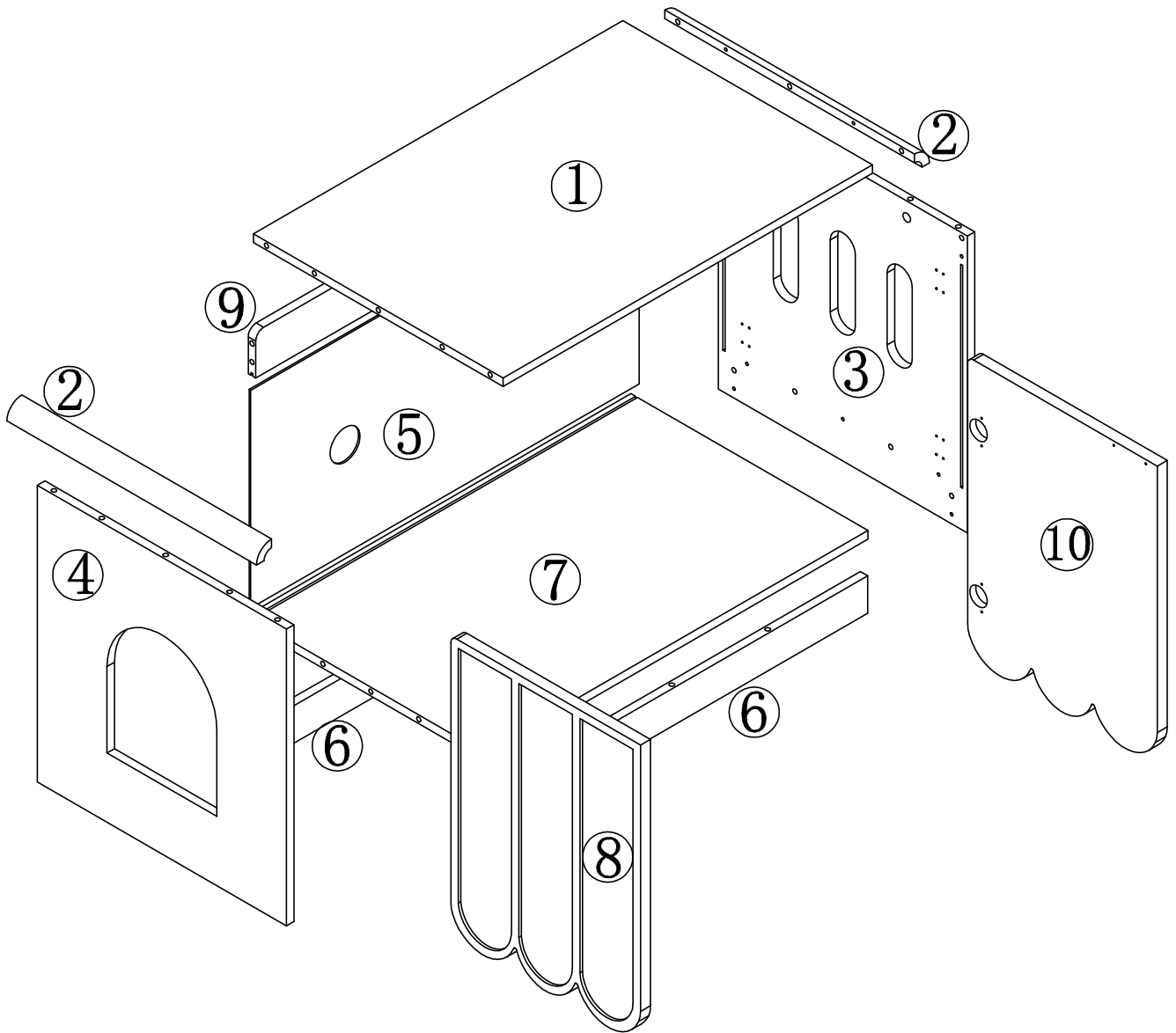


Step 17

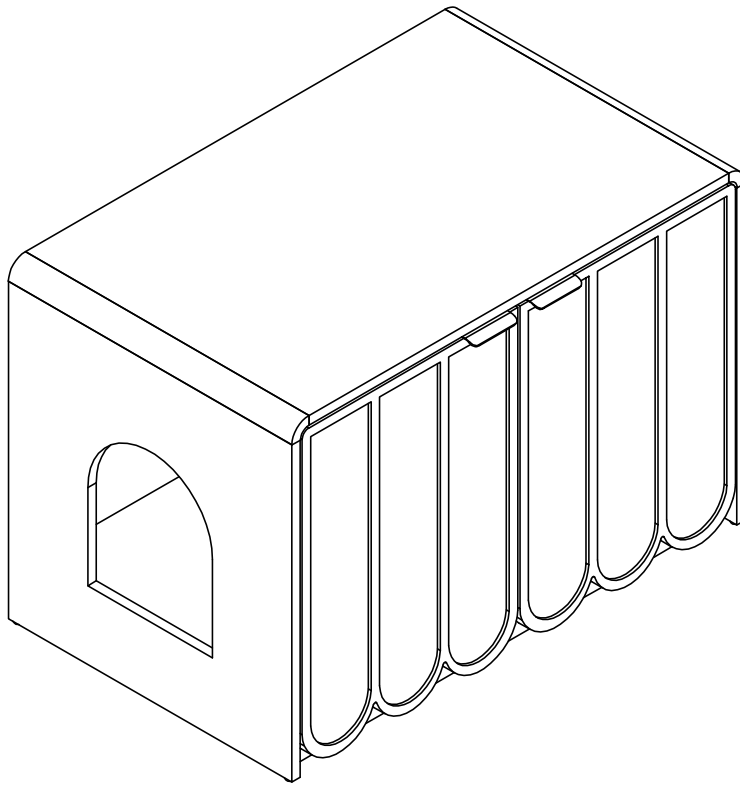
E	X2
	



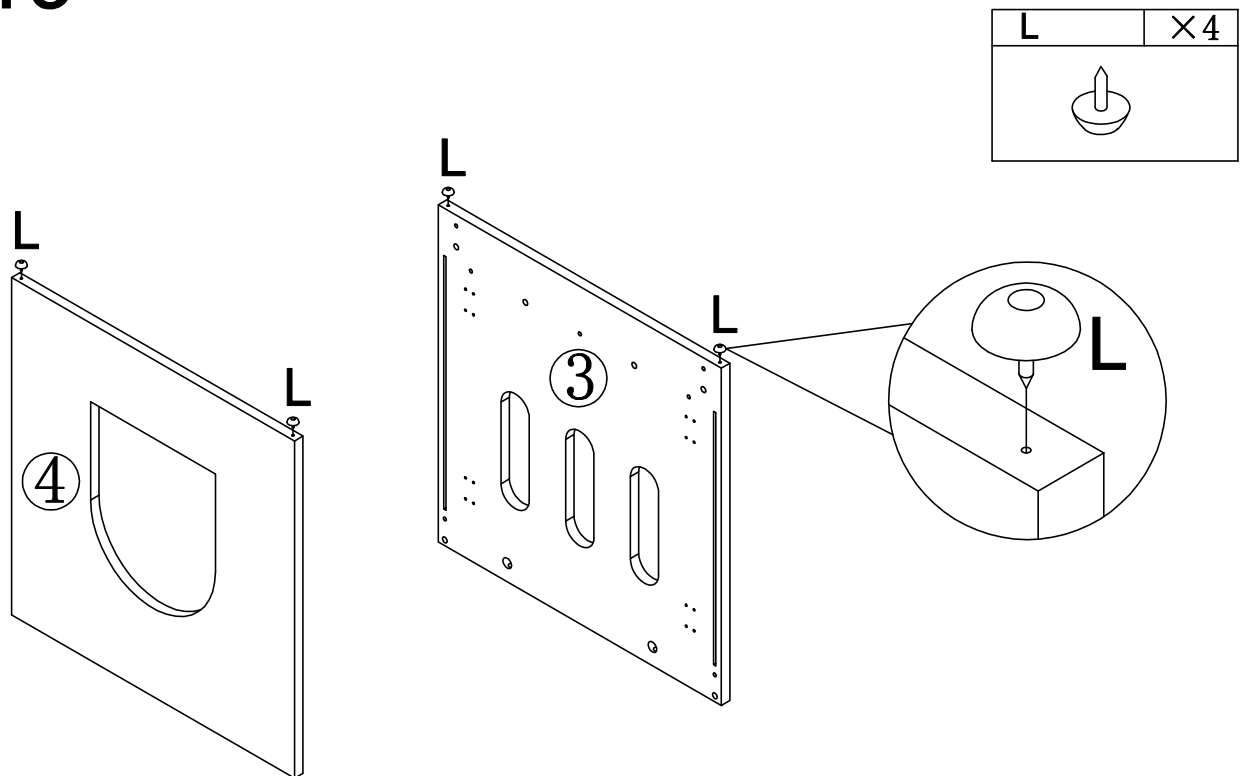
The Accessoriess



Step 18

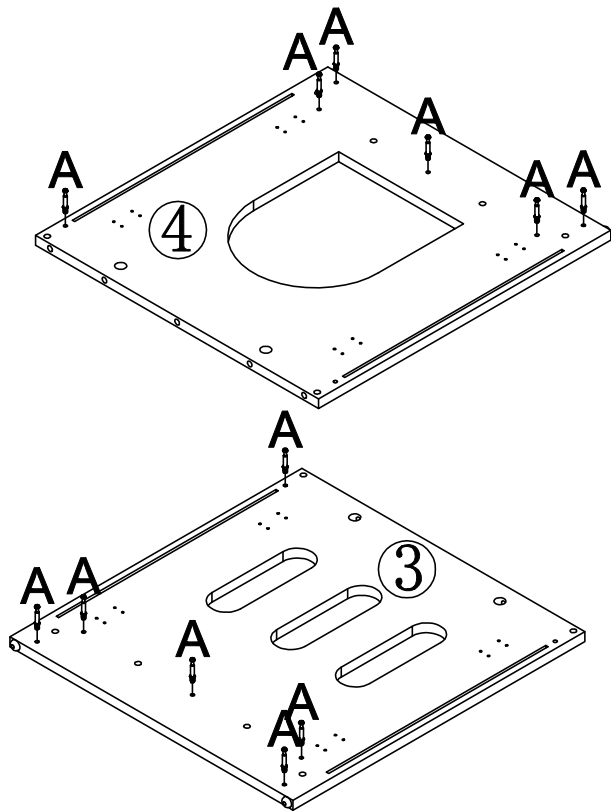


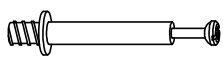
Step 19

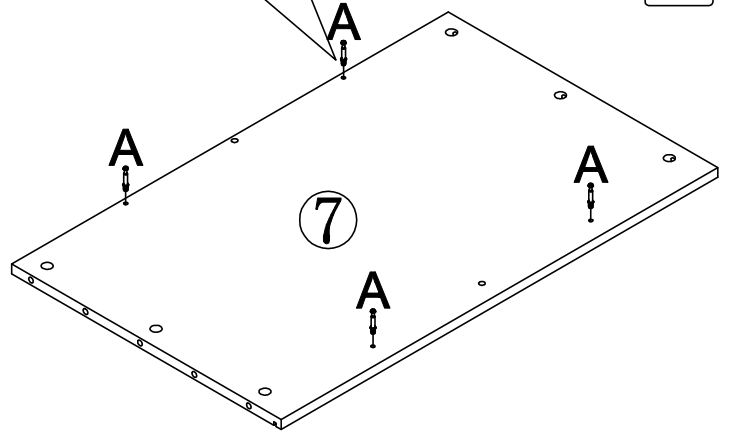
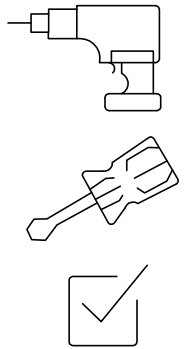
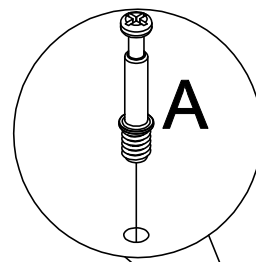


Please install the foot pads to prevent scratching your floor.




Step 20

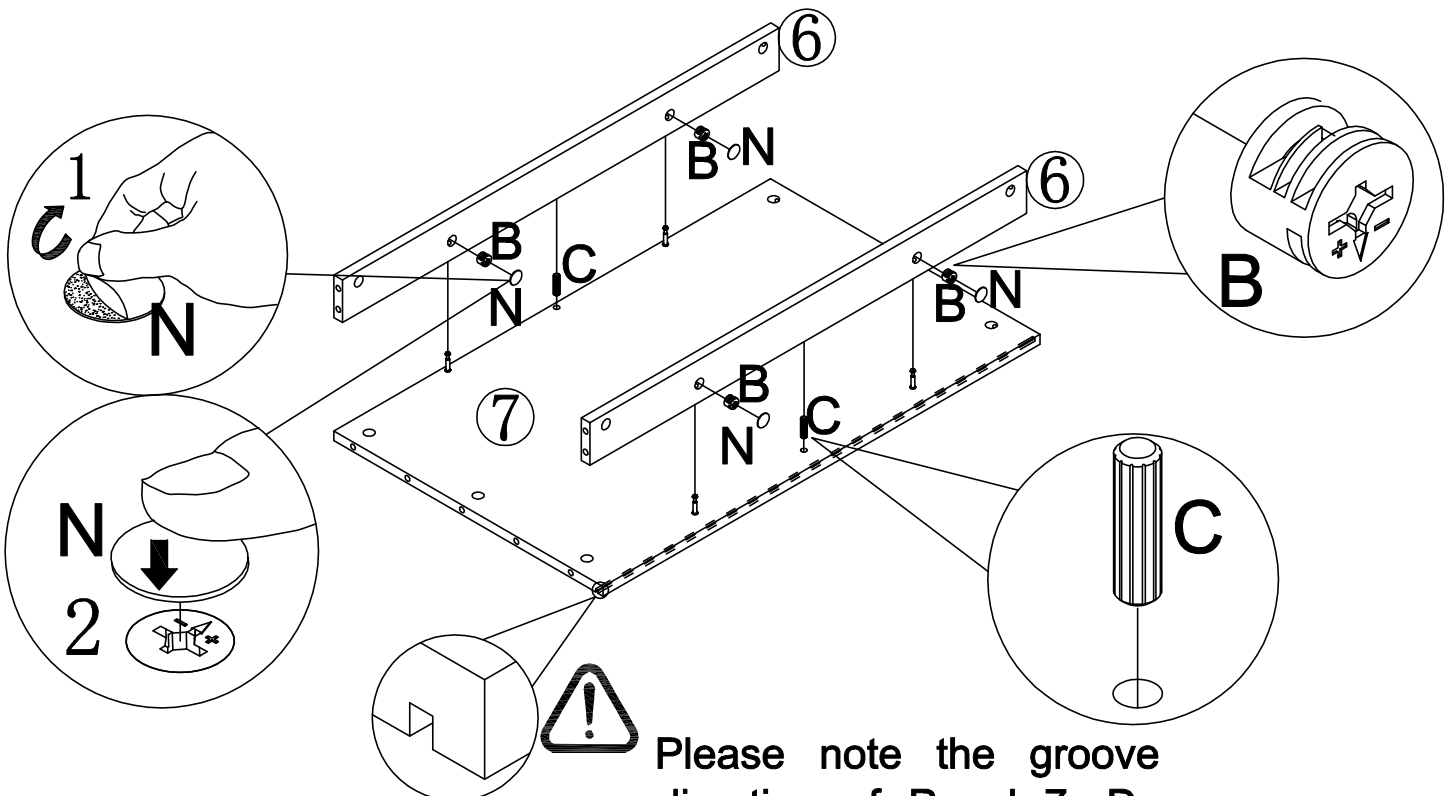


A	X16
	






Step 21

B	X4	C	X2	N	X4
					

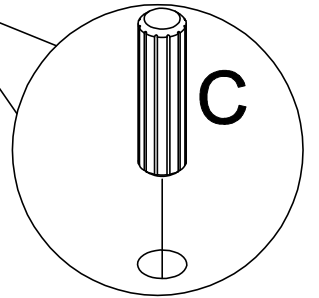
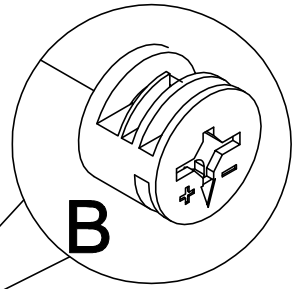
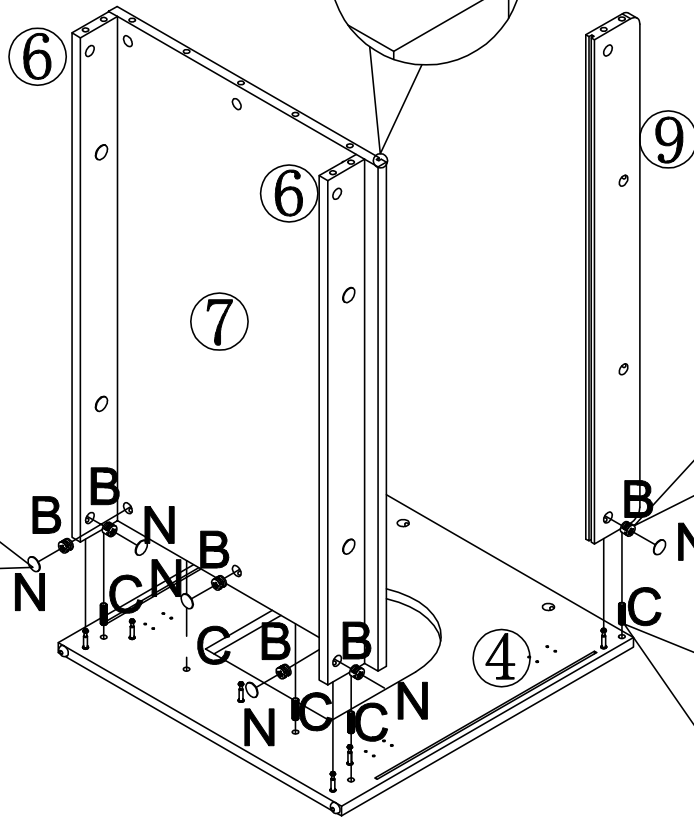
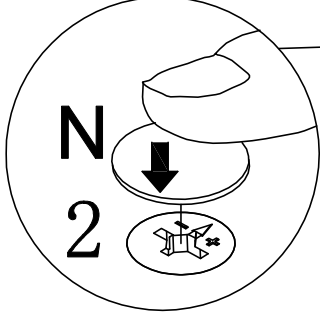
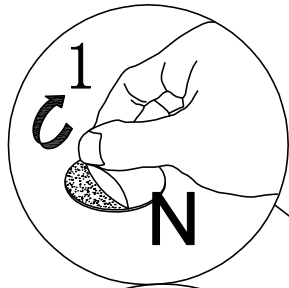
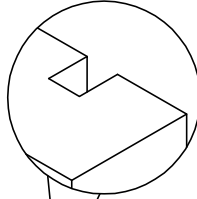


Please note the groove direction of Panel 7. Do not install it in reverse.


Step 22

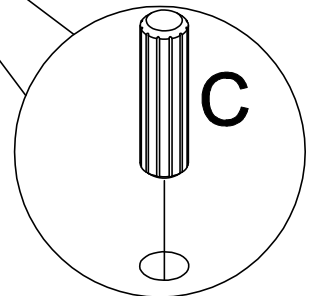
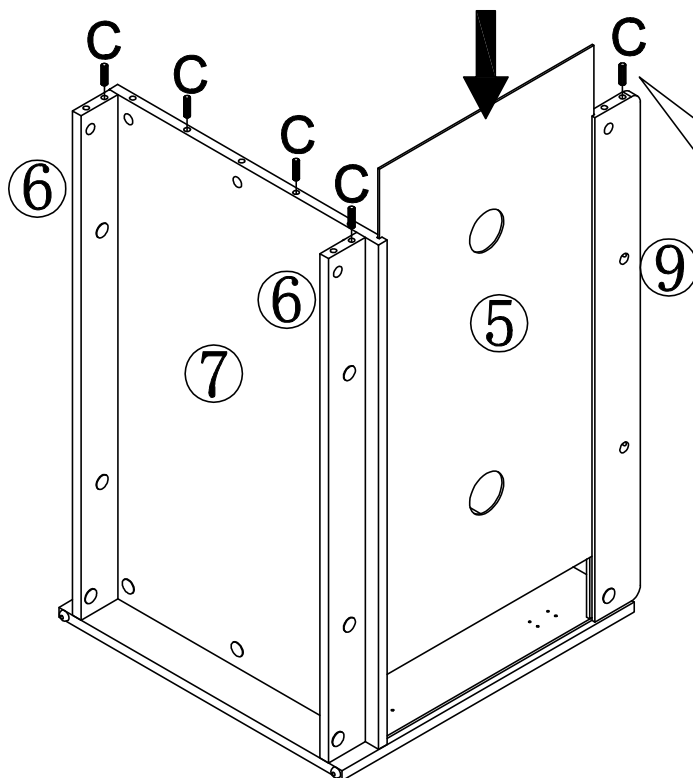
B	×6	C	×5	N	×6
					

Please note the groove direction of Panel 7. Do not install it in reverse.





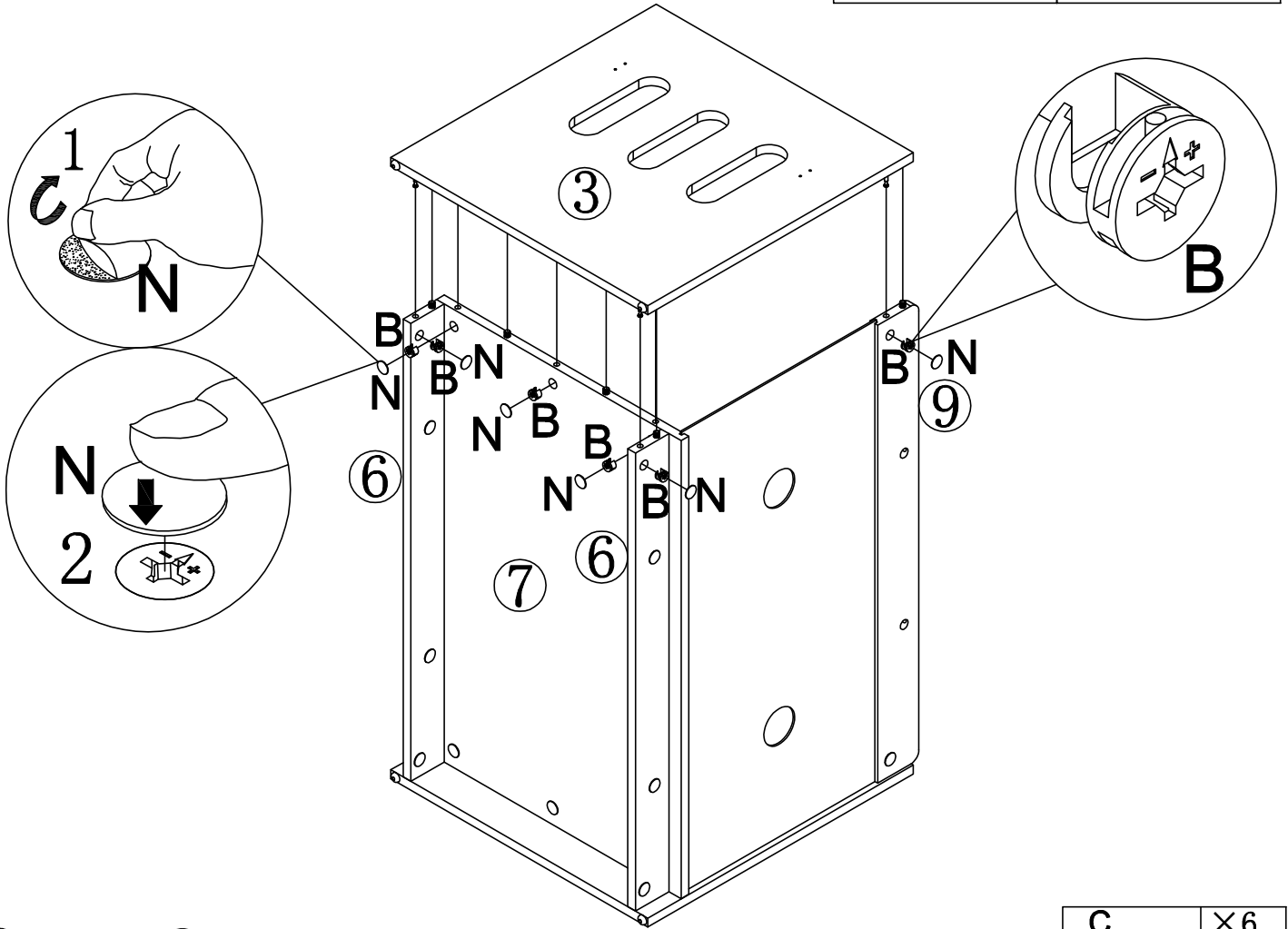
Step 23

C	×5
	




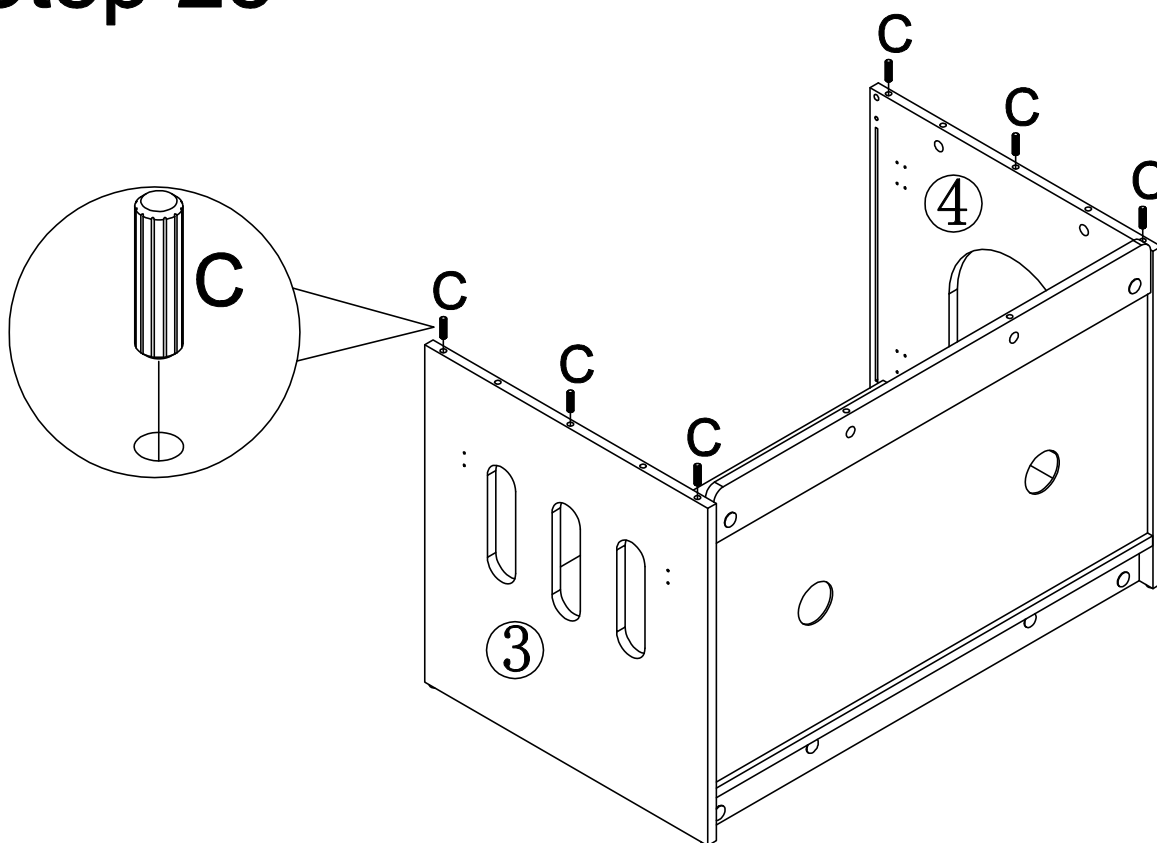
Step 24

B	X6	N	X6
			


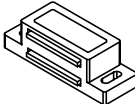



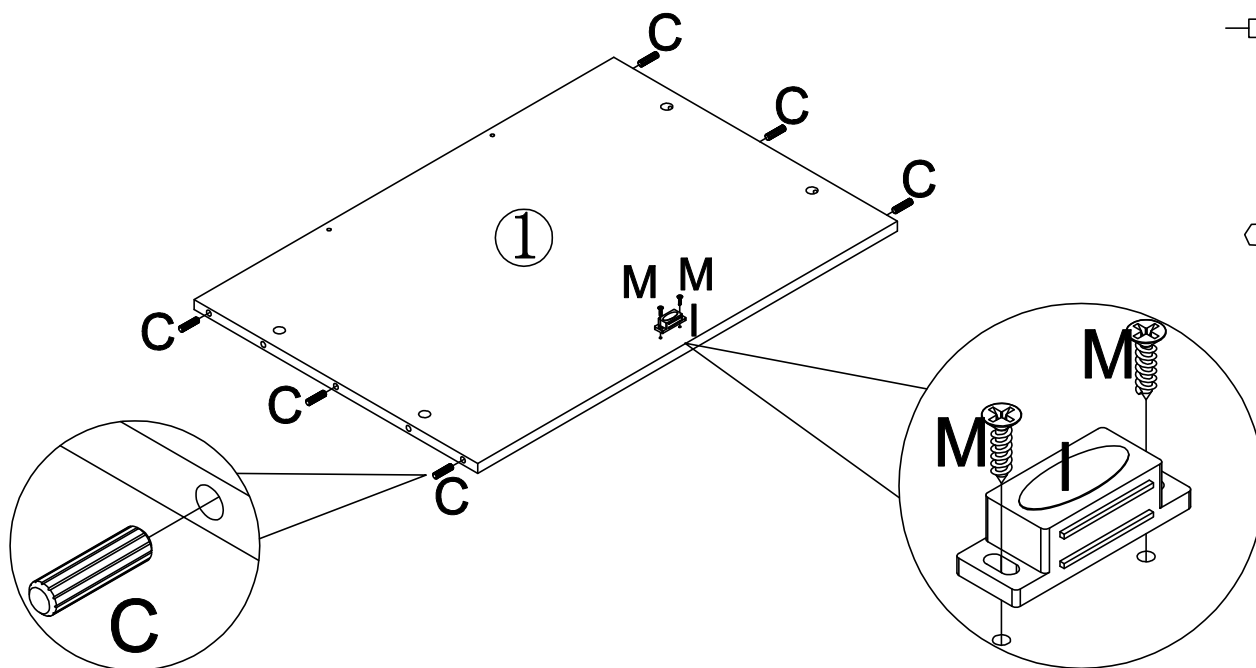
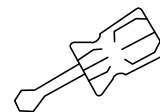
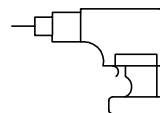
Step 25

C	X6
	

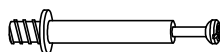


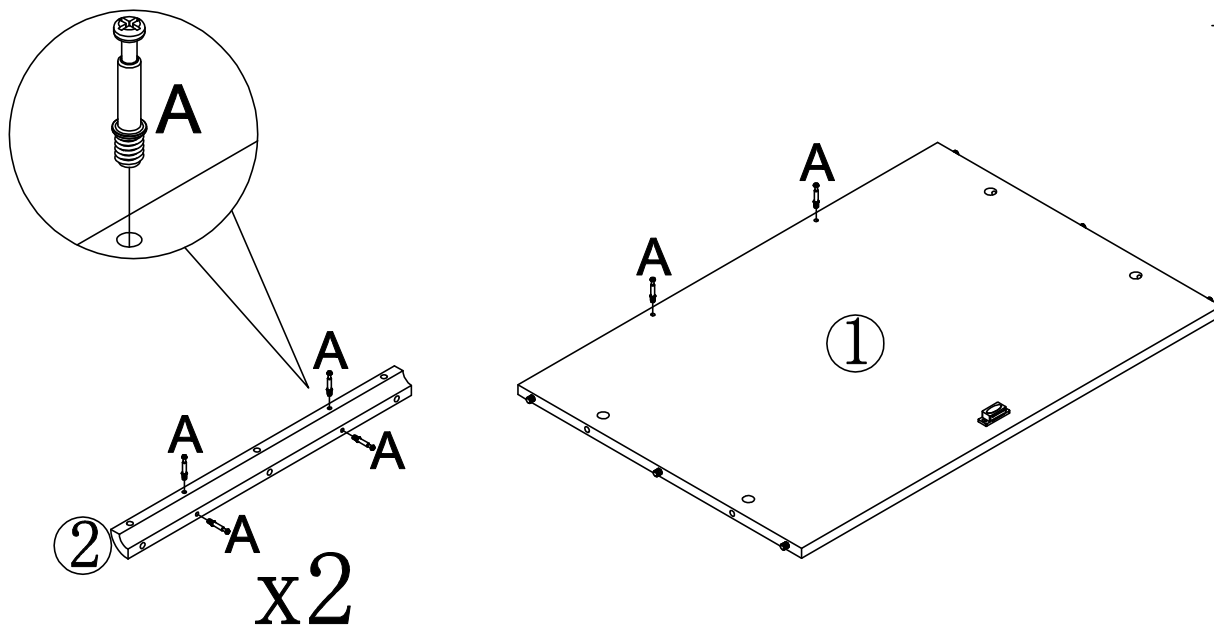
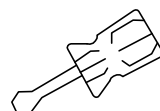
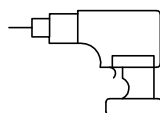
Step 26

B	×6	I	×1	M	×2
					



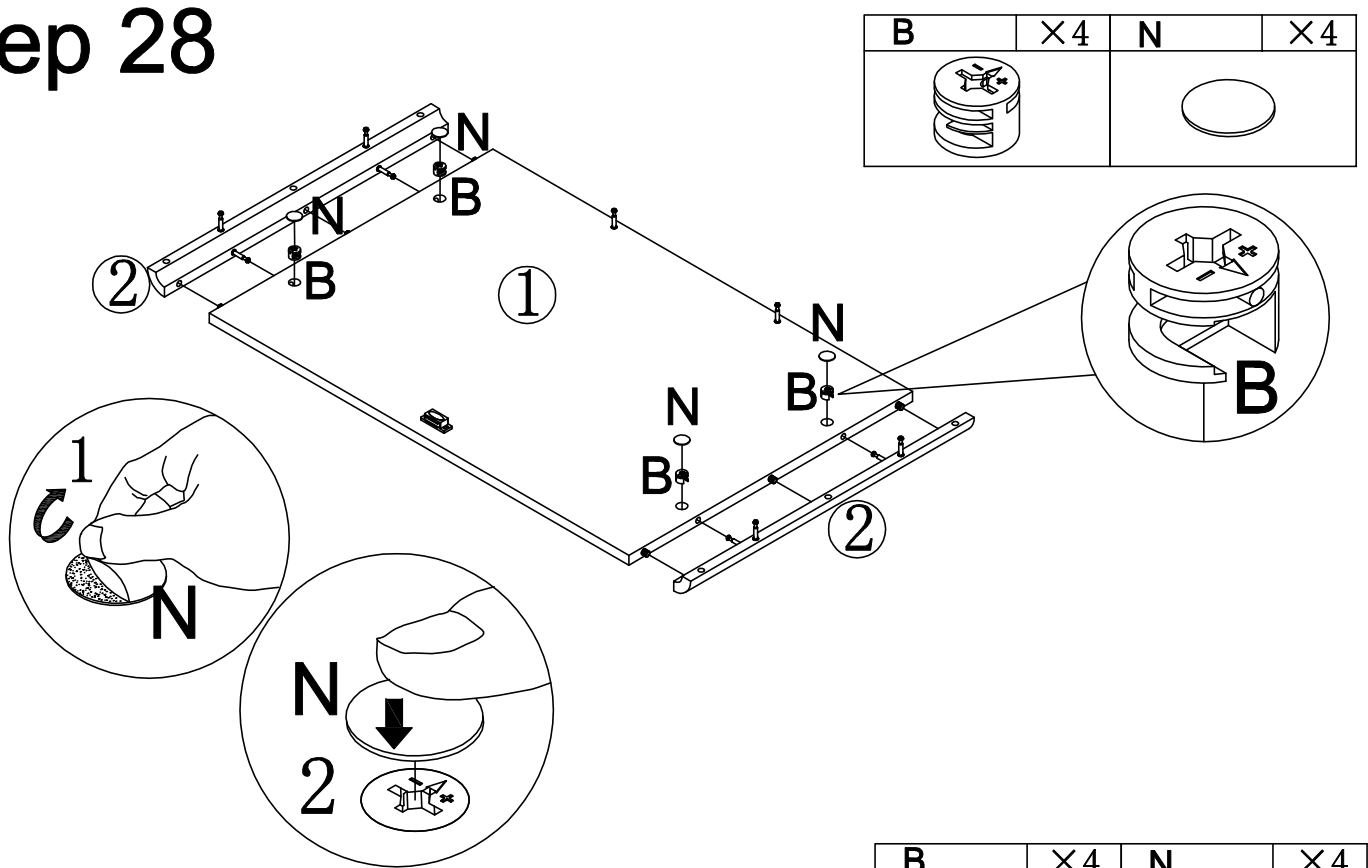
Step 27

A	×1
	

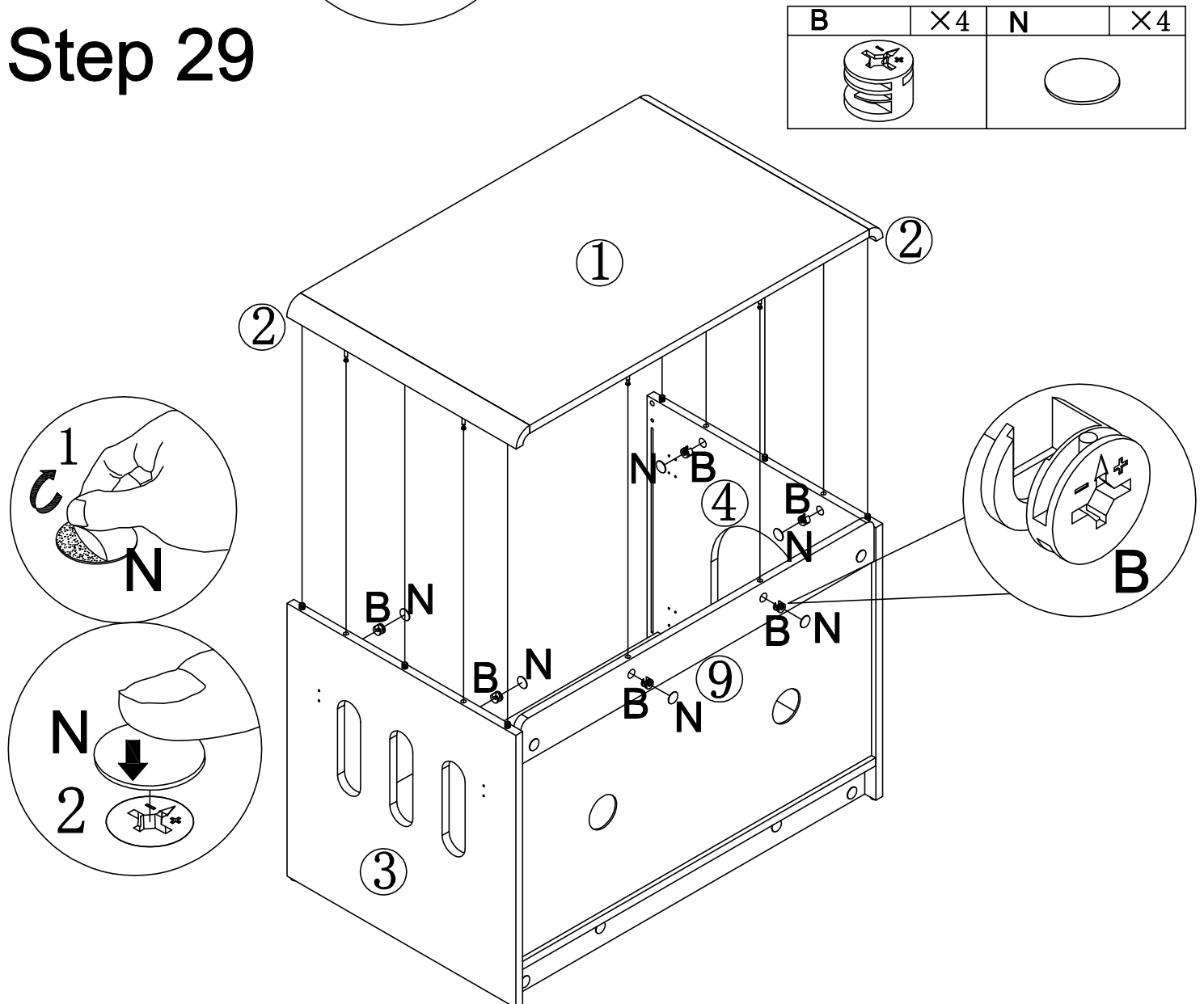


Note that when the No. 2 connecting plate is equipped with R Angle lock hardware A, it should be locked straight, not crooked, not very tight, and the normal lock is flat


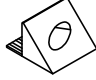
Step 28

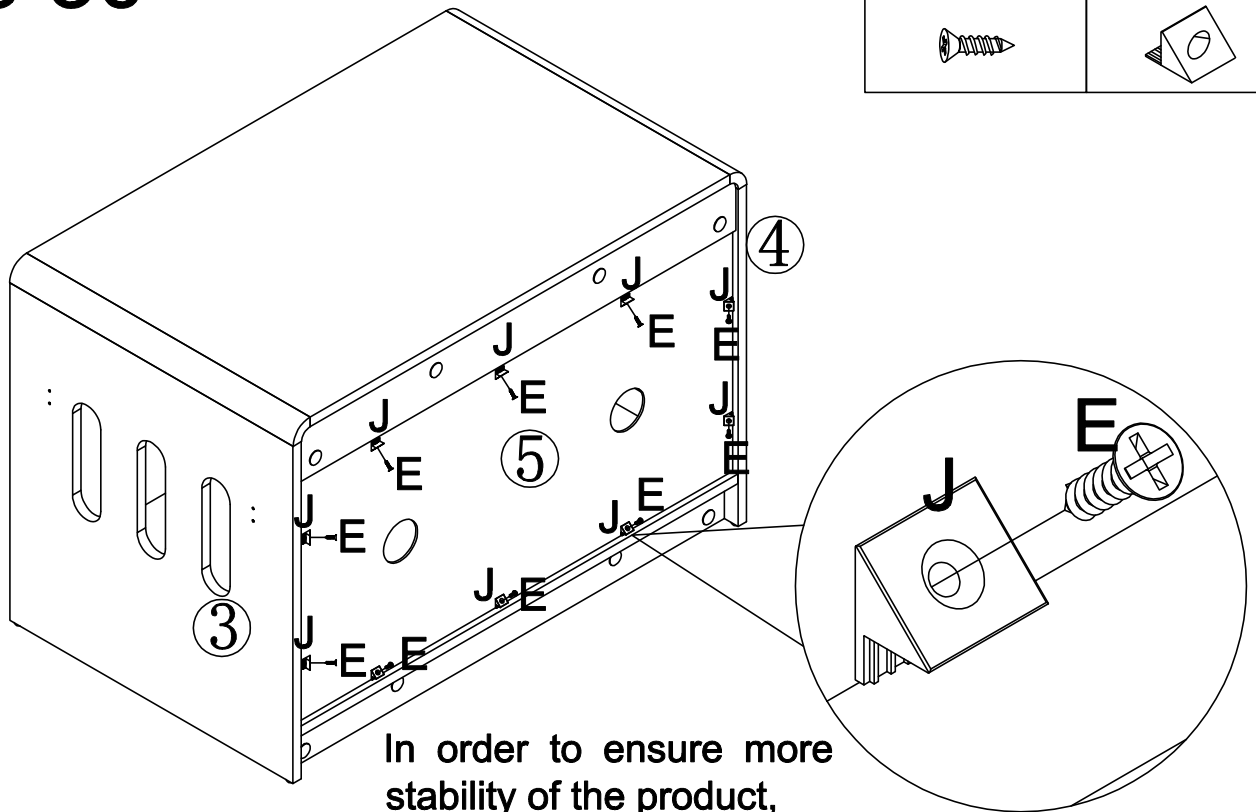


Step 29





Step 30

E	×10	J	×10
			

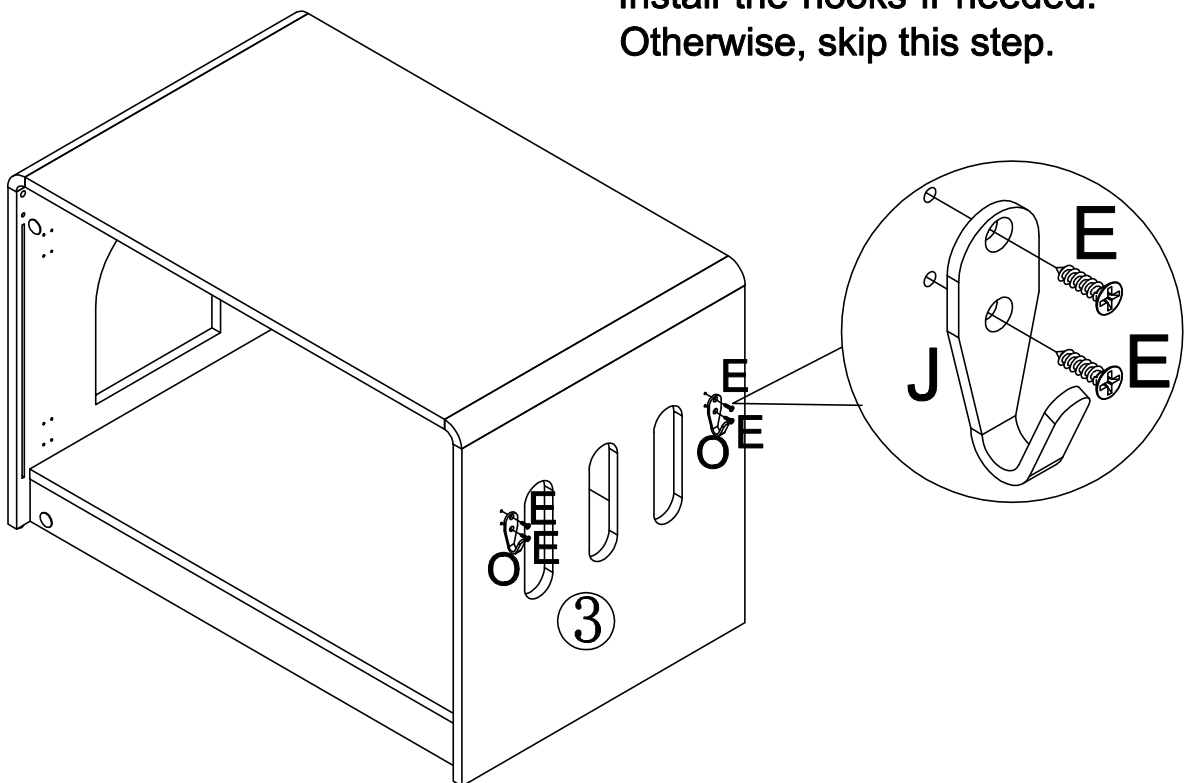


In order to ensure more stability of the product, E and J accessories must be installed according to the instructions. Failure to install will cause the product to easily shake.

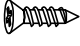
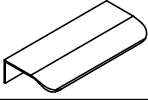
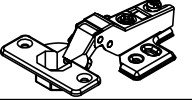
E	×4	O	×2
			

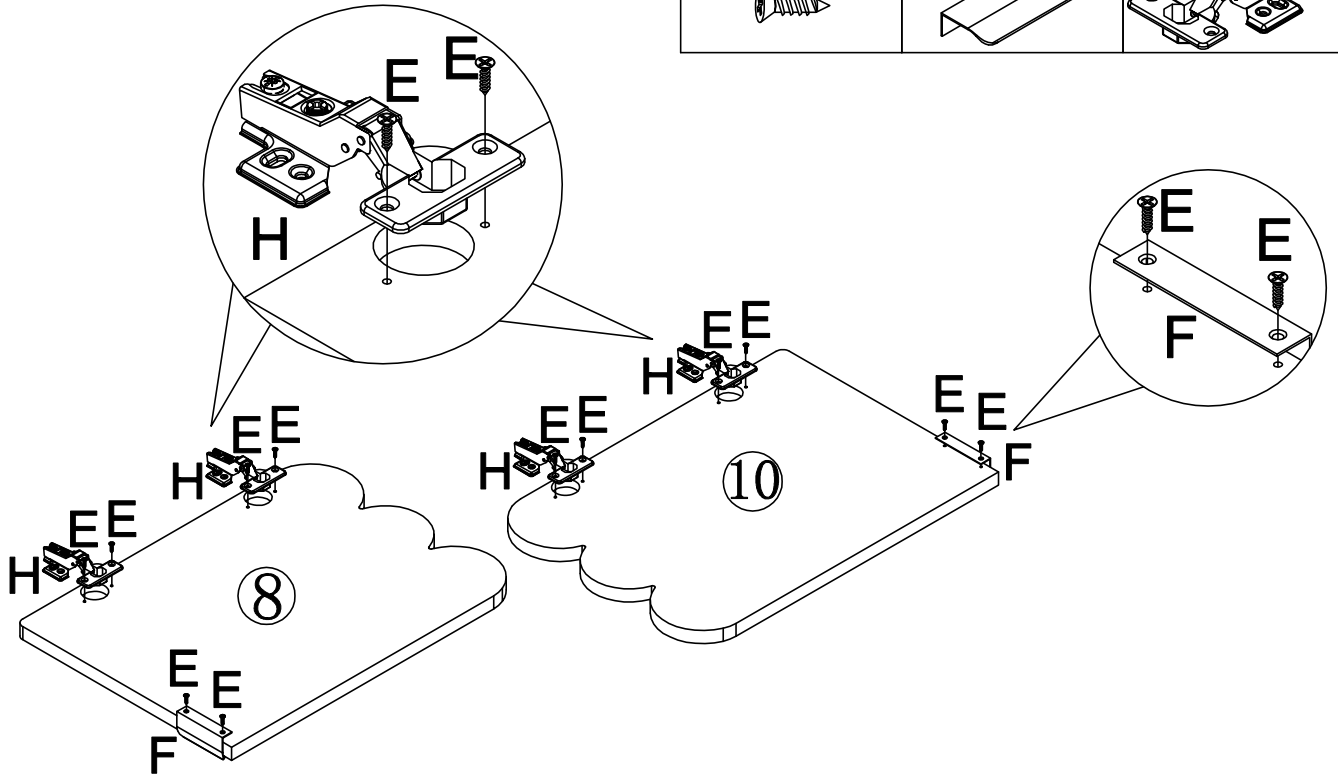
Step 31

Install the hooks if needed. Otherwise, skip this step.




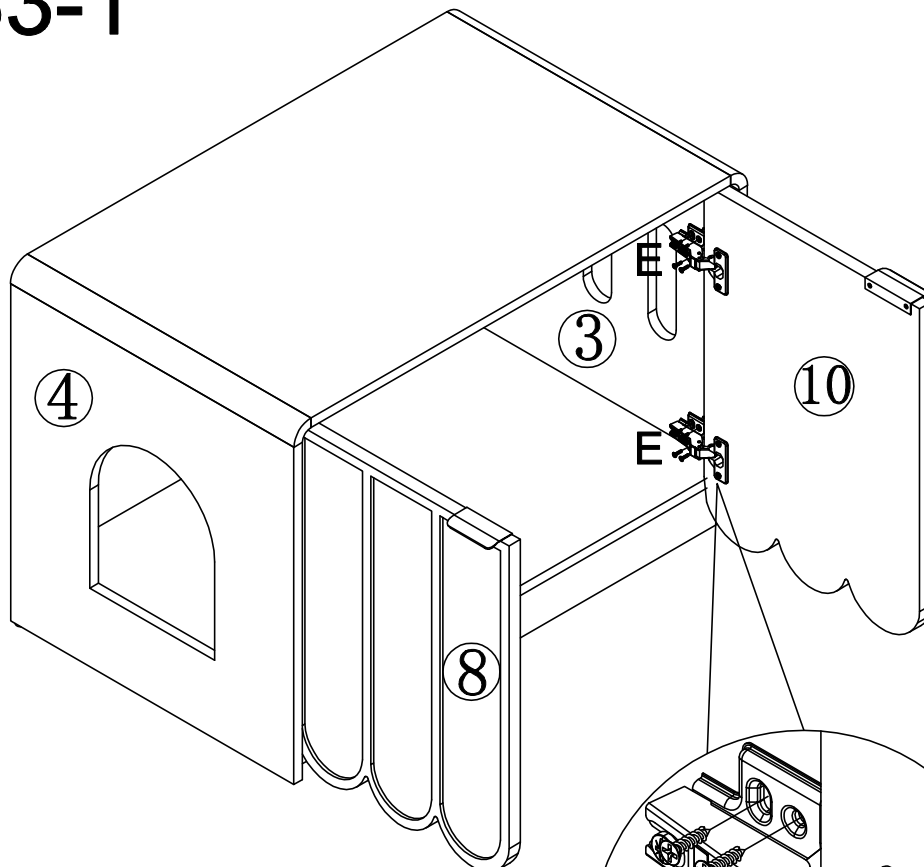
Step 32

E	×12	F	×2	H	×4
					

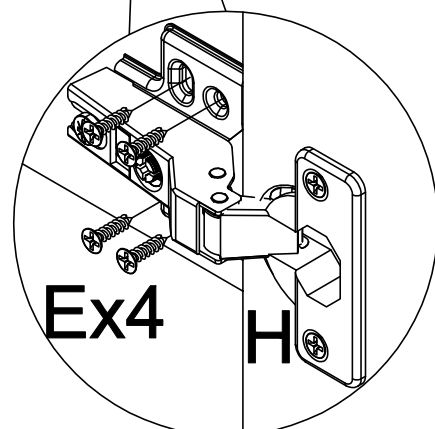


Step 33-1

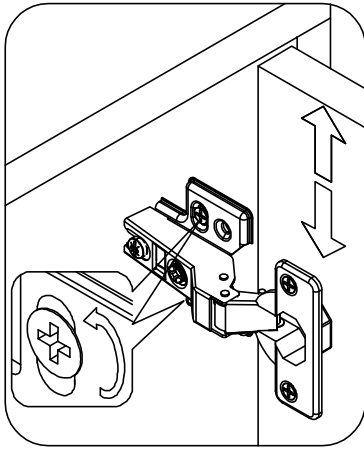
E	×16
	



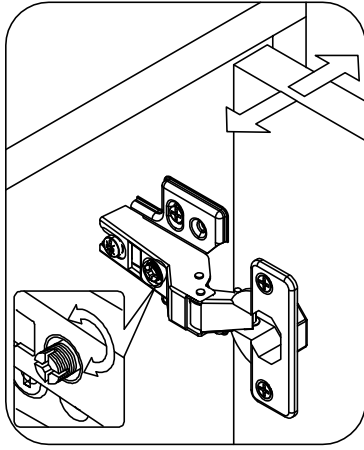
Adjust both hinges at the same time when making hinge adjustments.



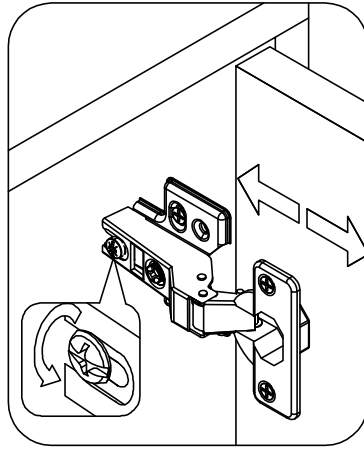
Step 33-2



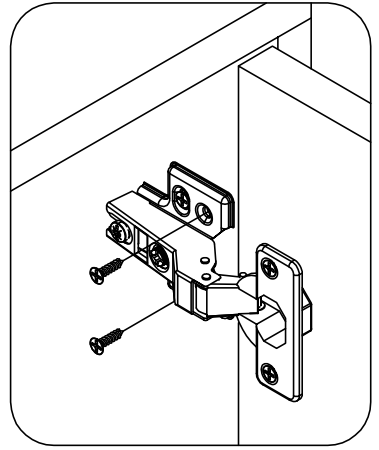
1. Adjust the screws shown in Figure 1 to adjust the door up and down.



2. Adjust the screws shown in Fig. 2 and pull the door back and forth so that it can be opened smoothly.

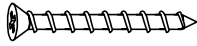
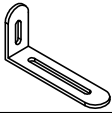
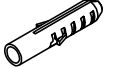


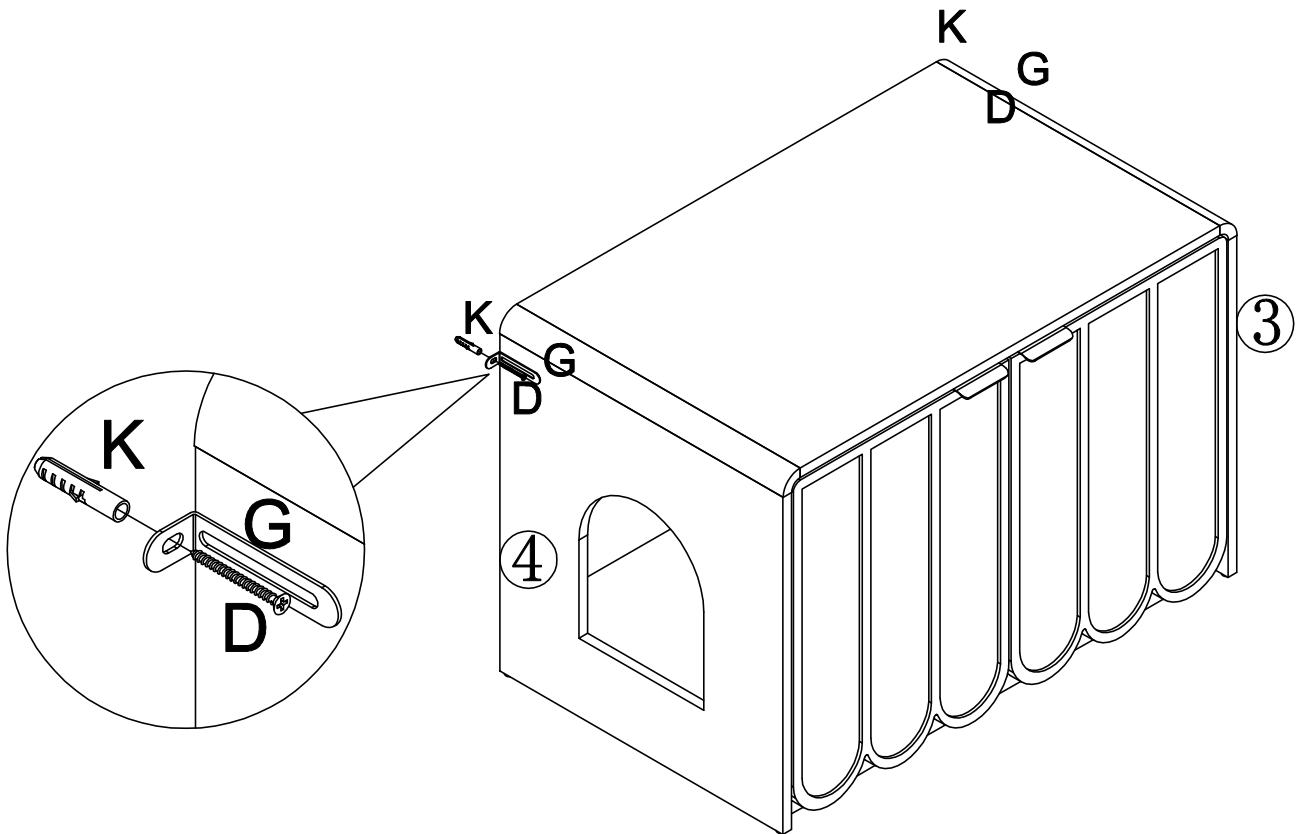
3. Adjust the screws shown in Figure 3 to adjust the door left and right to the right position.



4. After the adjustment is complete, install the remaining two screws to secure the door in place.

Step 34

D	×2	G	×2	K	×2
					



Step 35

E	×2
