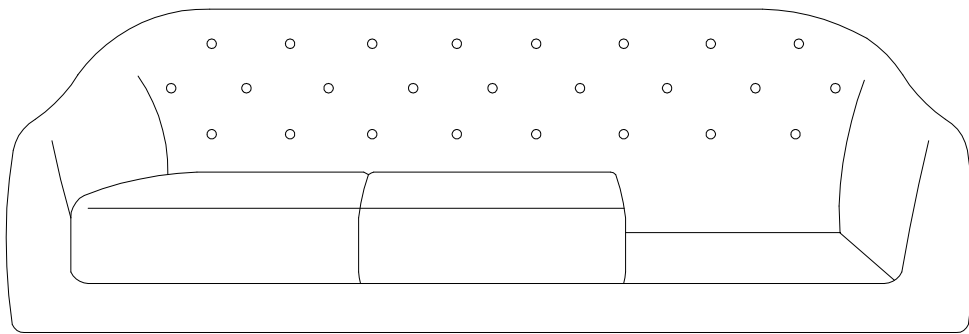
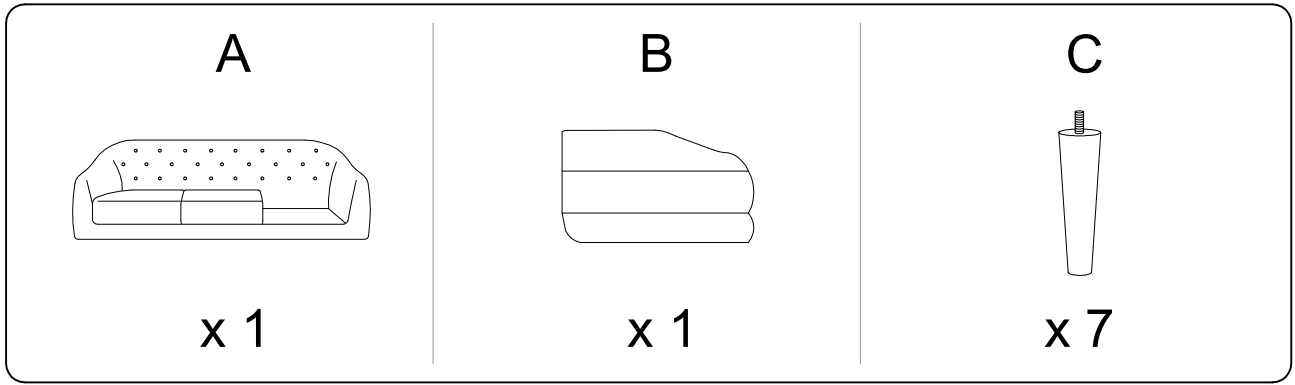


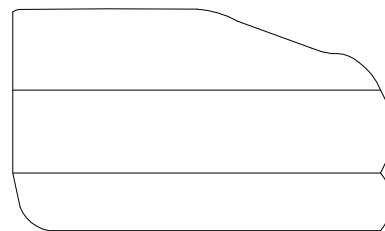
15'



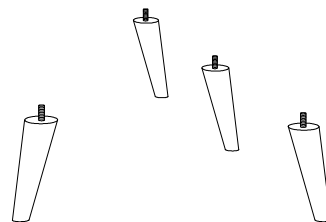
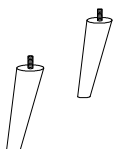
1



A

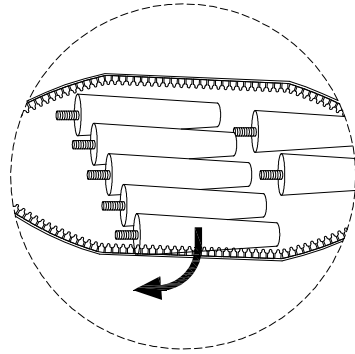
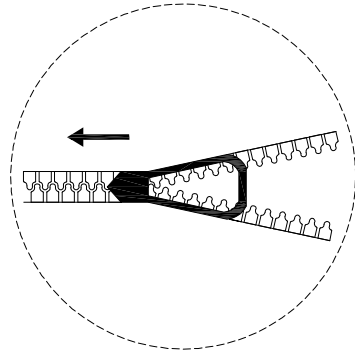
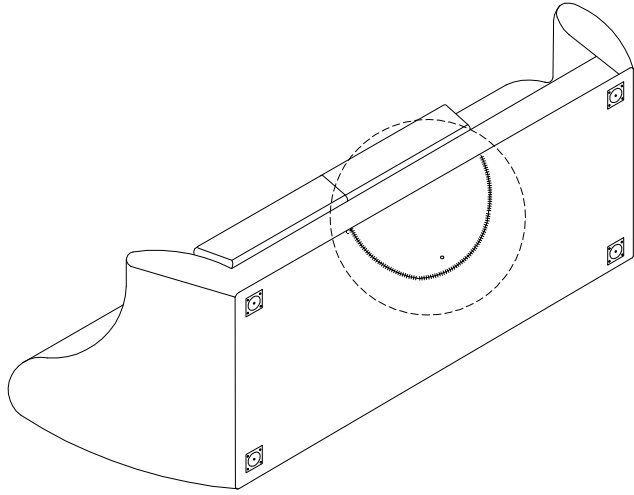


B

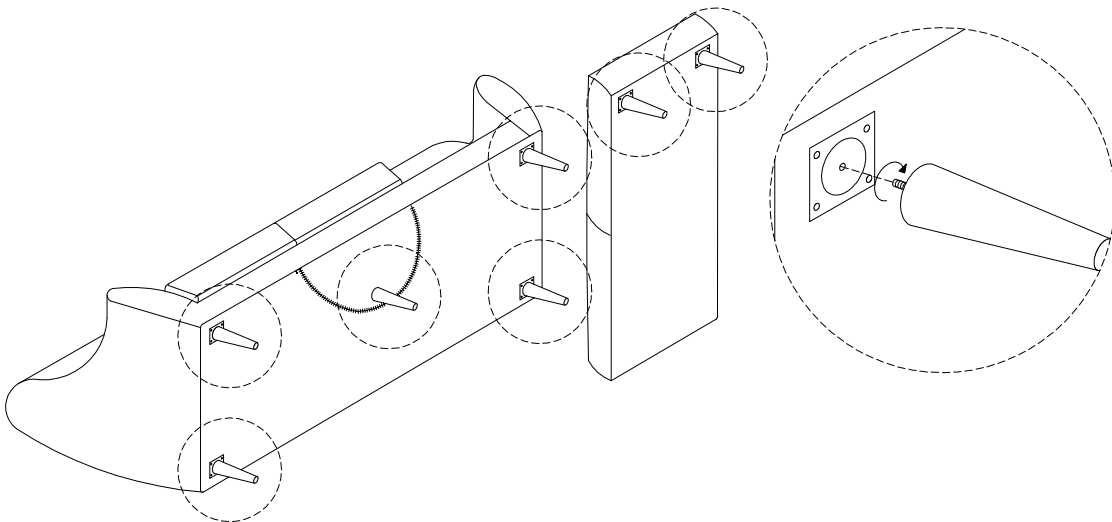
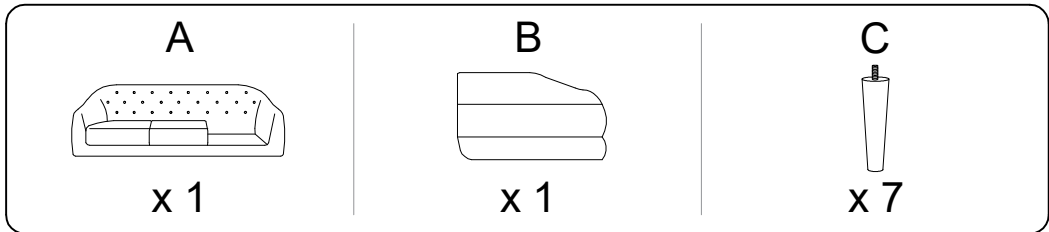


C x 7

!



1



2

