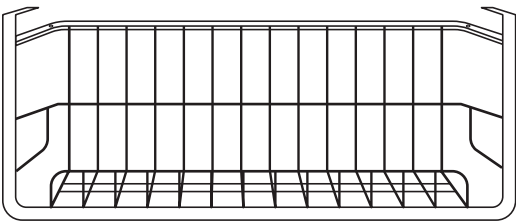
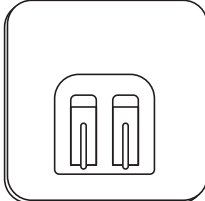
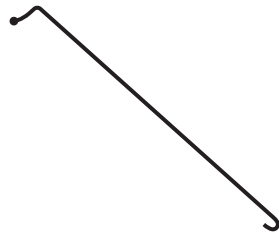
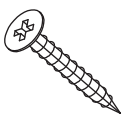
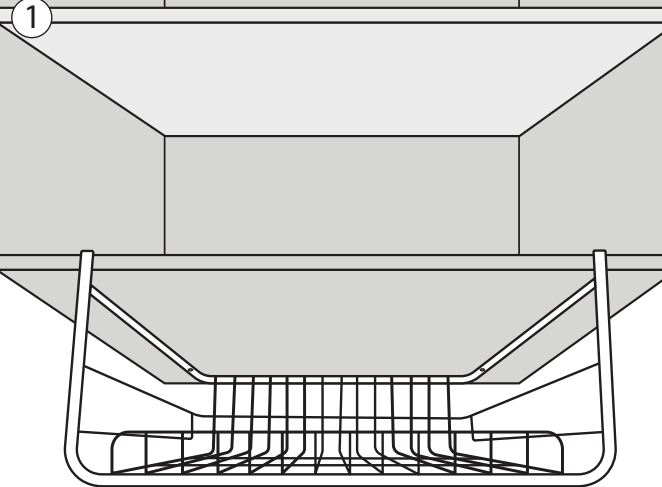


This item can be installed with screws or adhesive hooks.

Package Contents:

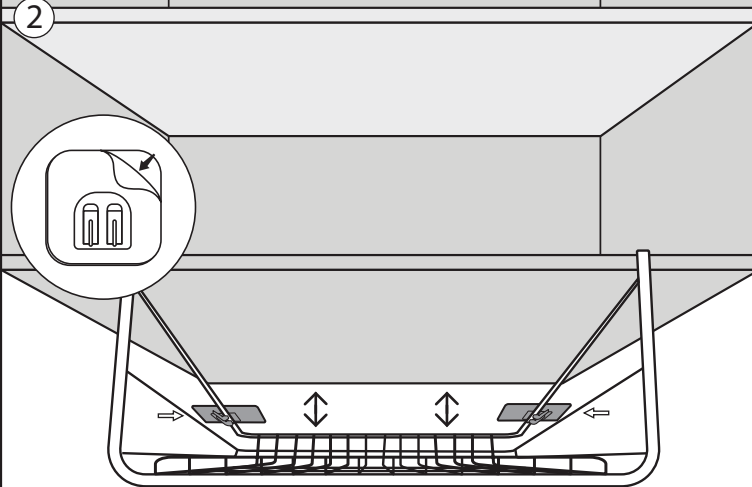
<p>A Rack</p>  <p>1PC</p>	<p>B Adhesive Hooks</p>  <p>2PCS (1 Extra)</p>	<p>C Divider Bar (Optional)</p>  <p>1PC</p>	<p>D Screws</p>  <p>For screw installation instructions, see page 2.</p>
---	--	---	--

1



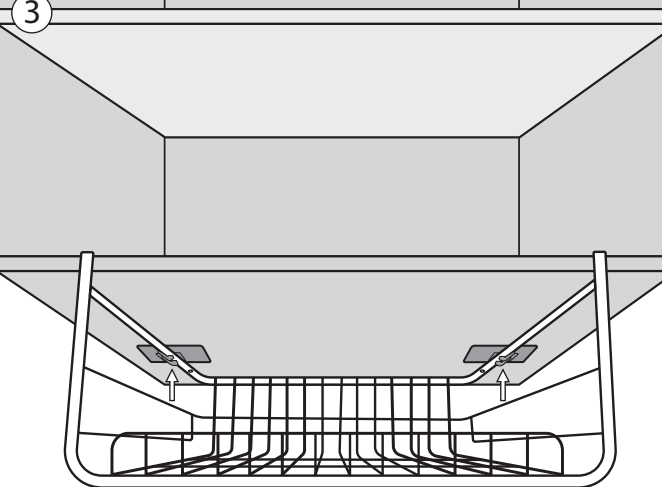
Step 1: **POSITION THE RACK:** Slide the can rack onto the shelf of the cabinet, positioning the cabinet shelf between the two metal arms of the rack.

2



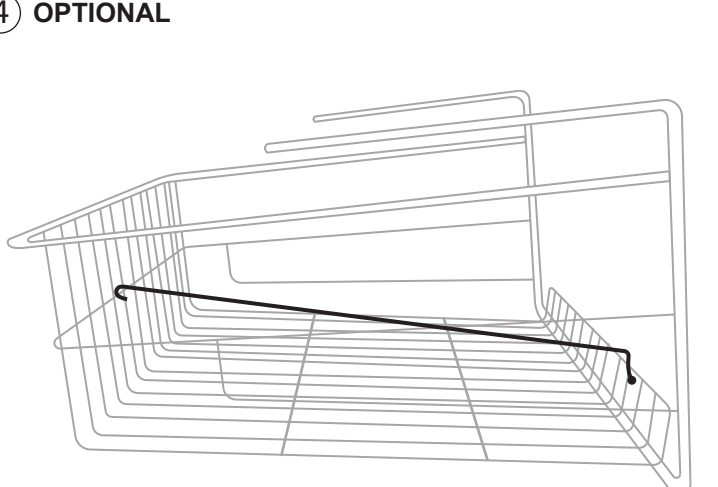
Step 2: **SECURE THE BACK OF THE RACK:** Peel the stickers off each adhesive hook. Then pull down the back of the rack and hook the clips to each metal bar.

3



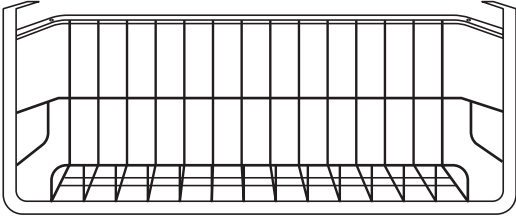
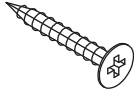
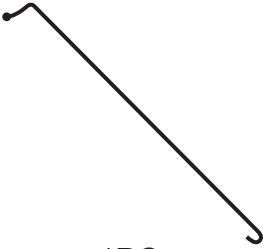
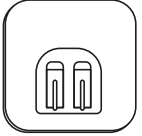
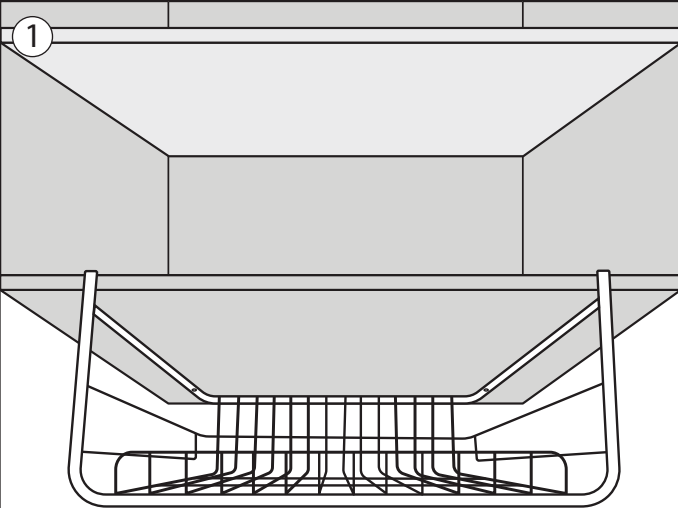
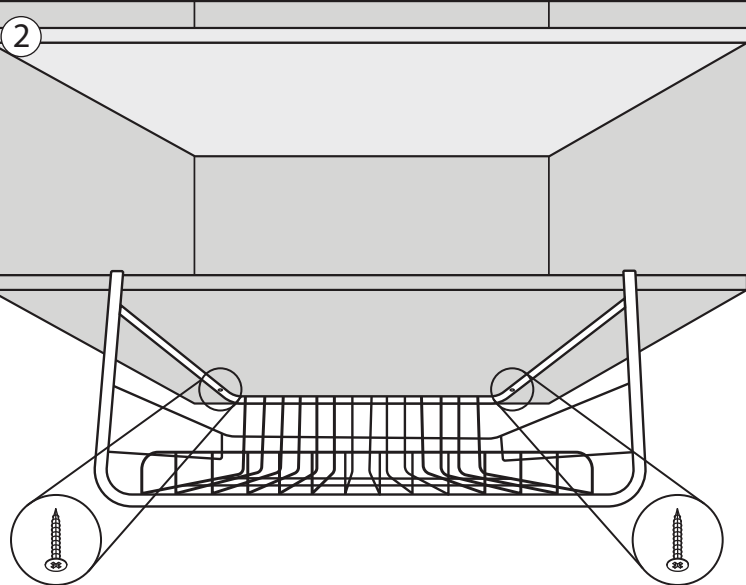
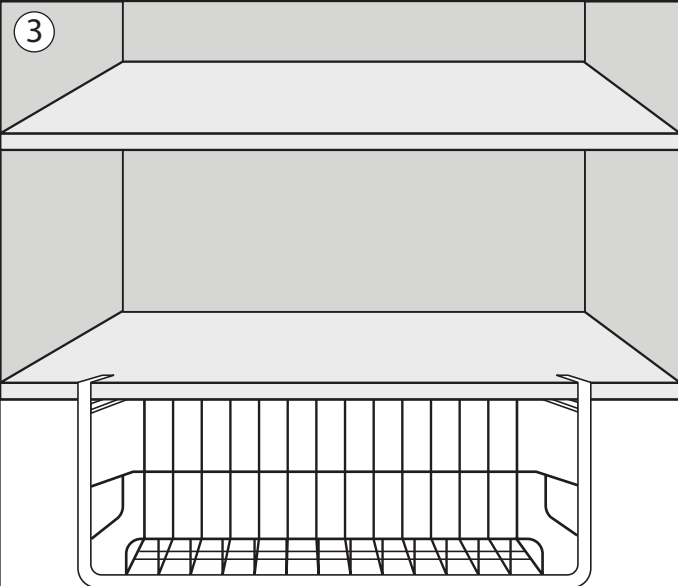
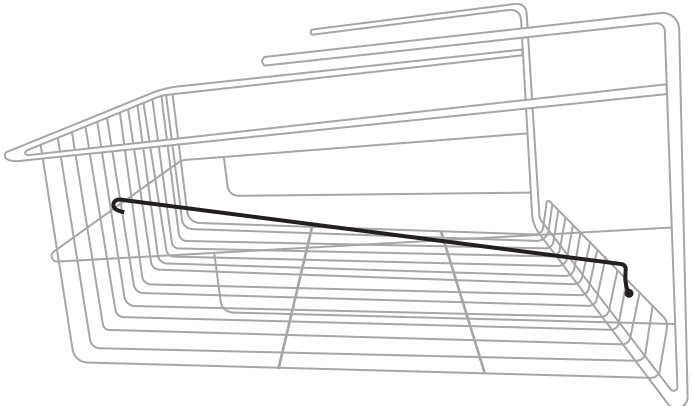
Step 3: **SECURE THE RACK TO THE CABINET:** Firmly press the adhesive clips to the cabinet to ensure the rack is securely attached.

4 OPTIONAL



Step 4: **ADJUSTABLE DIVIDER BAR:** Hook the curved edge of the divider bar through the back of the rack to create separate sections. This will help organize a variety of can sizes.

This item can be installed with screws or adhesive hooks.

Package Contents:	A Rack  1PC	B Screw  2PCS	C Divider Bar (Optional)  1PC	D Adhesive Hook  For adhesive hooks installation instructions see page 1.
	1  <p>Step 1: POSITION THE RACK: Slide the can rack onto the shelf of the cabinet, positioning the cabinet shelf between the two metal arms of the rack.</p>	2  <p>Step 2: SECURE THE BACK OF THE RACK: Use two screws to securely attach the back of the rack to the cabinet.</p>	3  <p>Step 3: SECURE THE RACK TO THE CABINET: Make sure the rack is properly fixed in place.</p>	4 OPTIONAL  <p>Step 4: ADJUSTABLE DIVIDER BAR: Hook the curved edge of the divider bar through the back of the rack to create separate sections. This will help organize a variety of can sizes.</p>