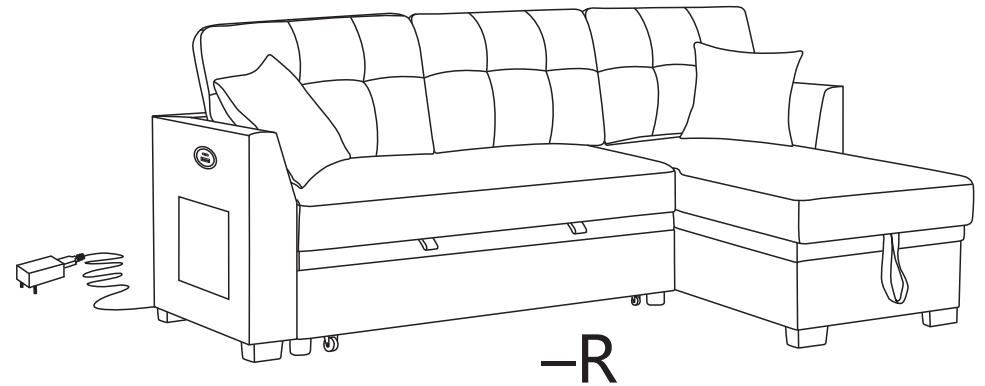
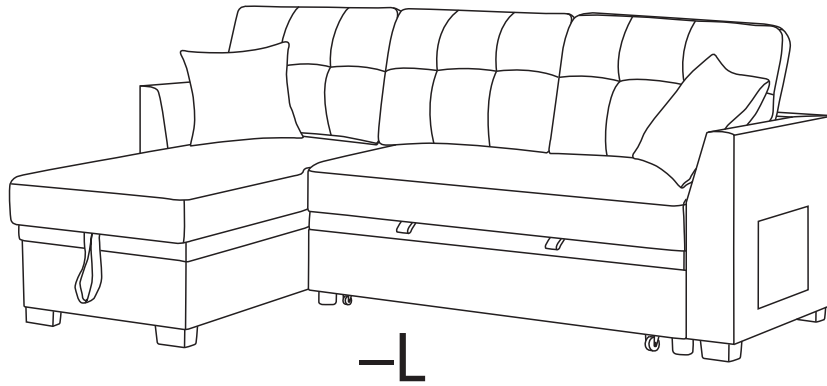
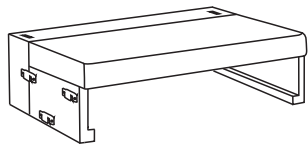


# ASSEMBLY INSTRUCTION

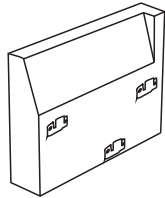


## PARTS LIST



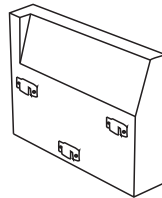
**A**

X1



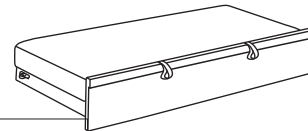
**B**

X1



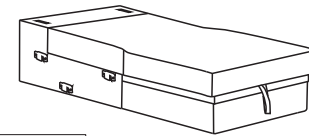
**C**

X1



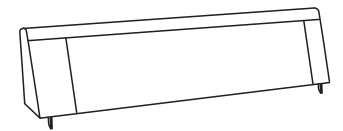
**D**

X1



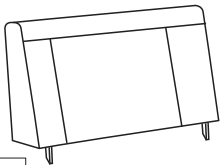
**E**

X1



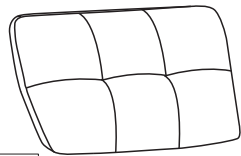
**F**

X1



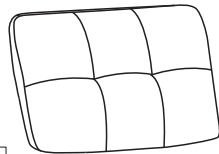
**G**

X1



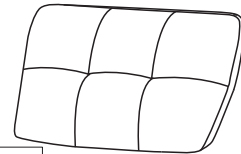
**H**

X1



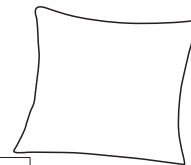
**I**

X1



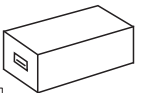
**J**

X1



**K**

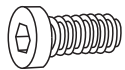
X2



**8**

X1

## HARDWARE LIST



**1**

M6X25

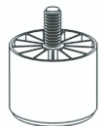
X8



**2**

M4

X1



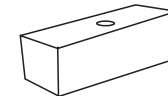
**3**

X6



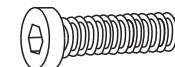
**4**

X4



**5**

X6



**6**

M8X60

X6

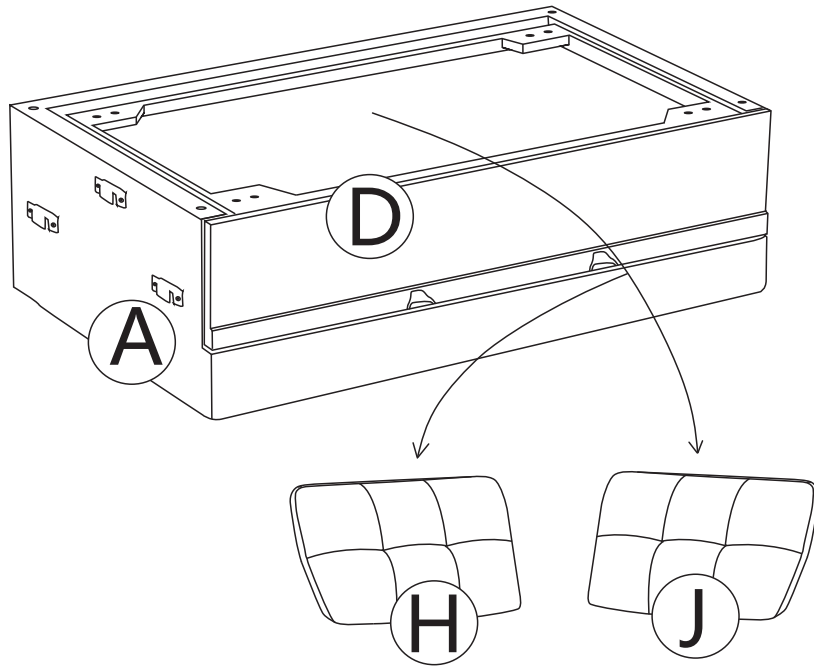


**7**

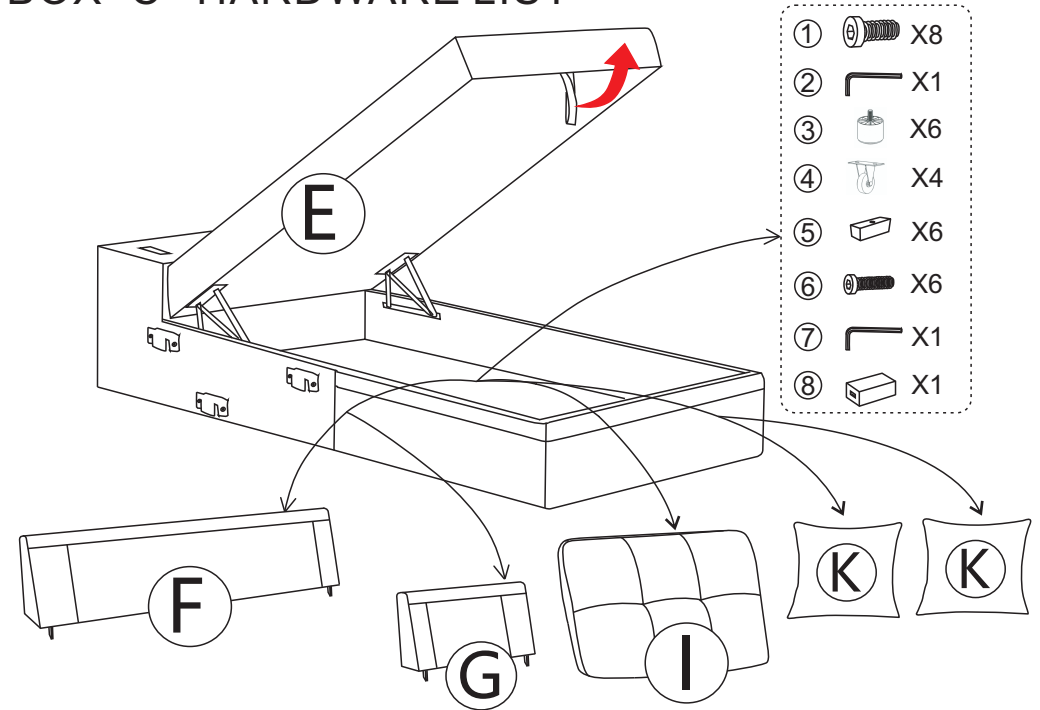
M5

X1

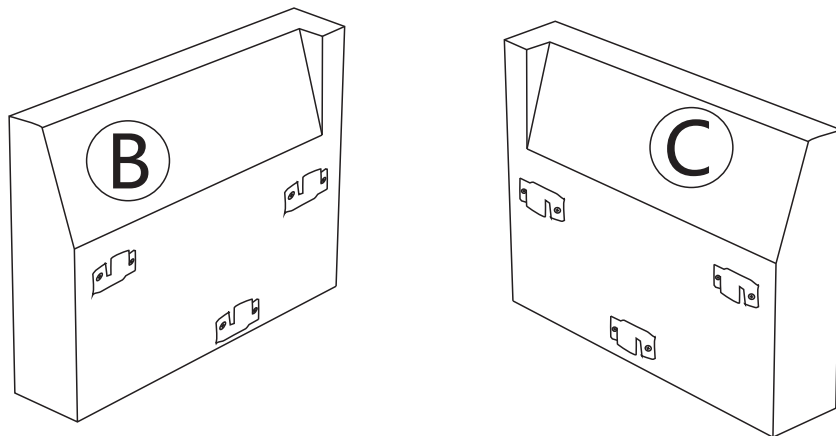
## BOX -L HARDWARE LIST



## BOX -C HARDWARE LIST



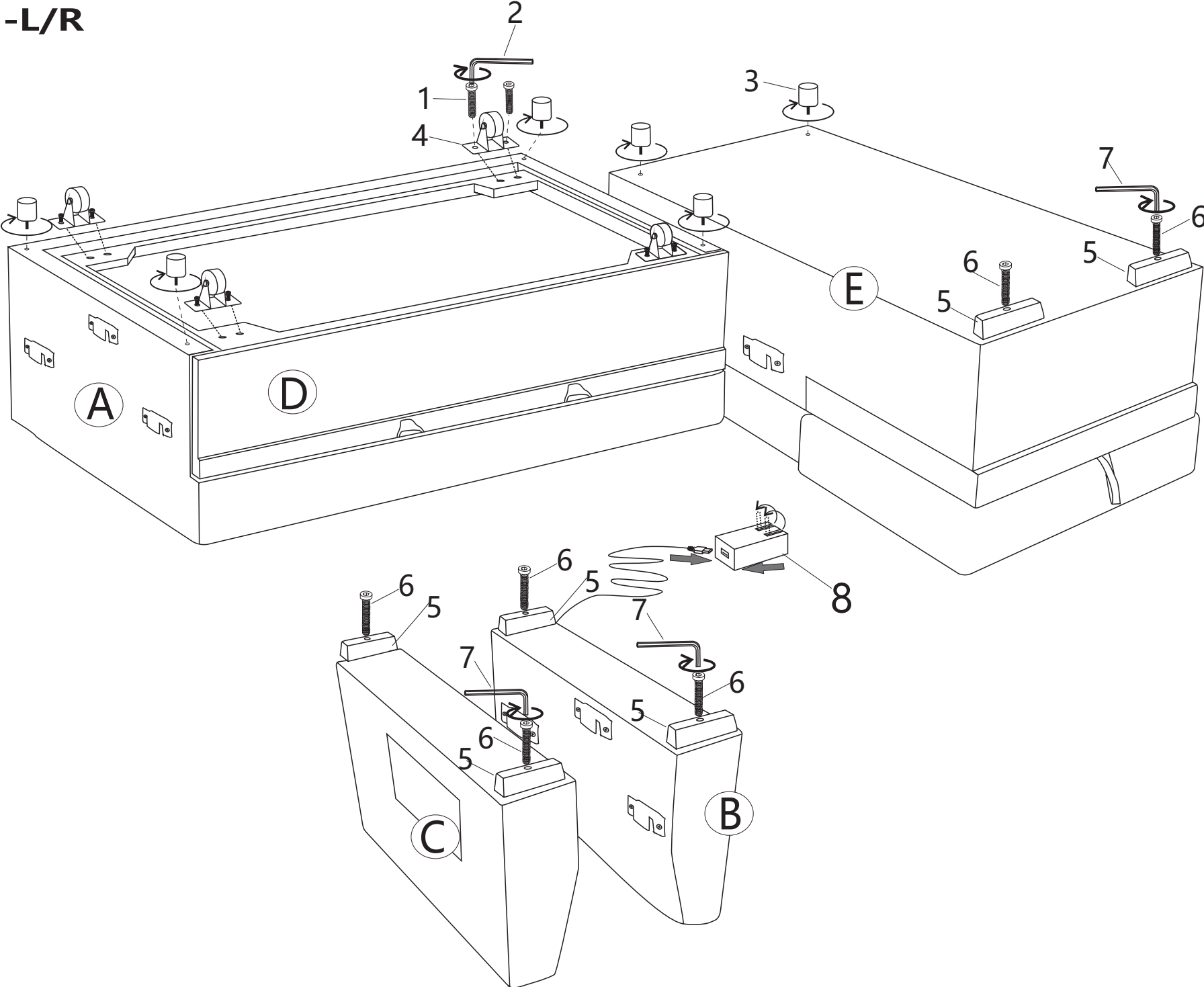
## BOX -A HARDWARE LIST



## Unpacking steps:

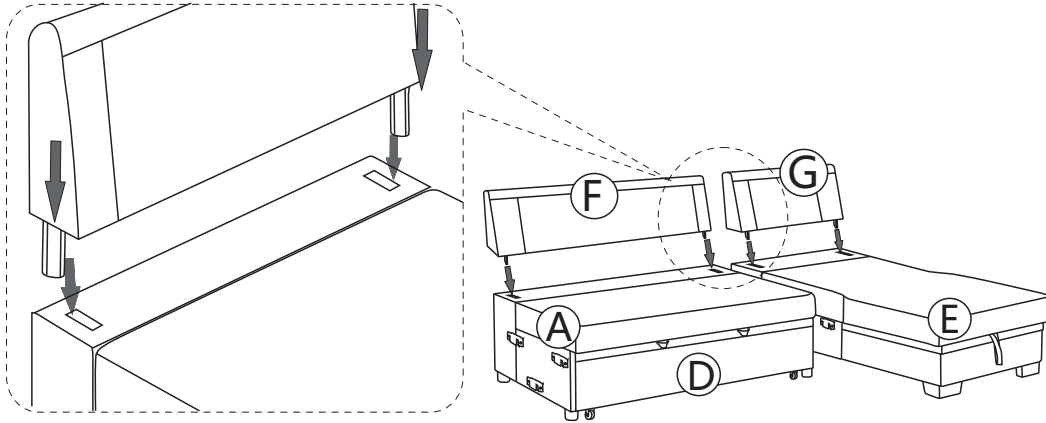
1. BOX-C
2. BOX-L
3. BOX-A

# Step1-L/R

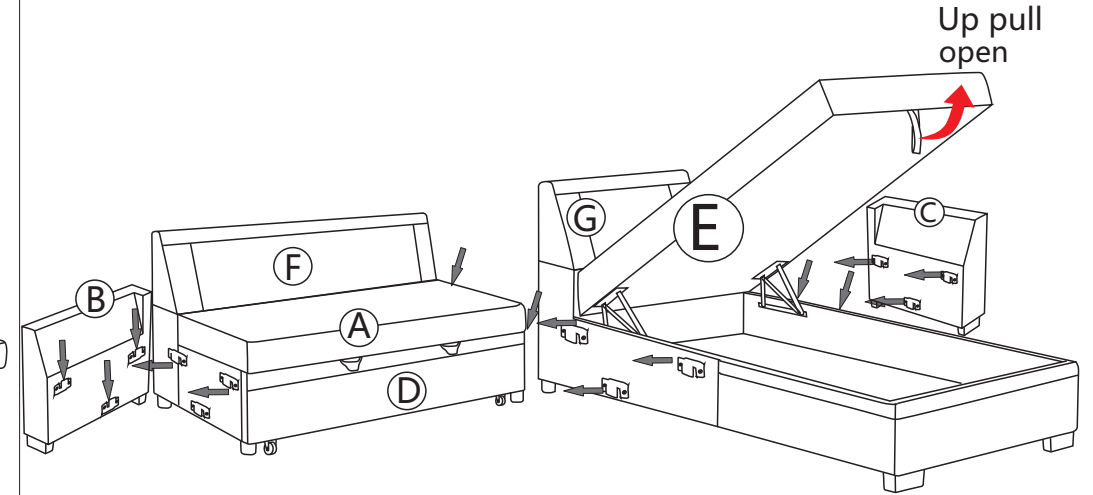


## Step2-L/R

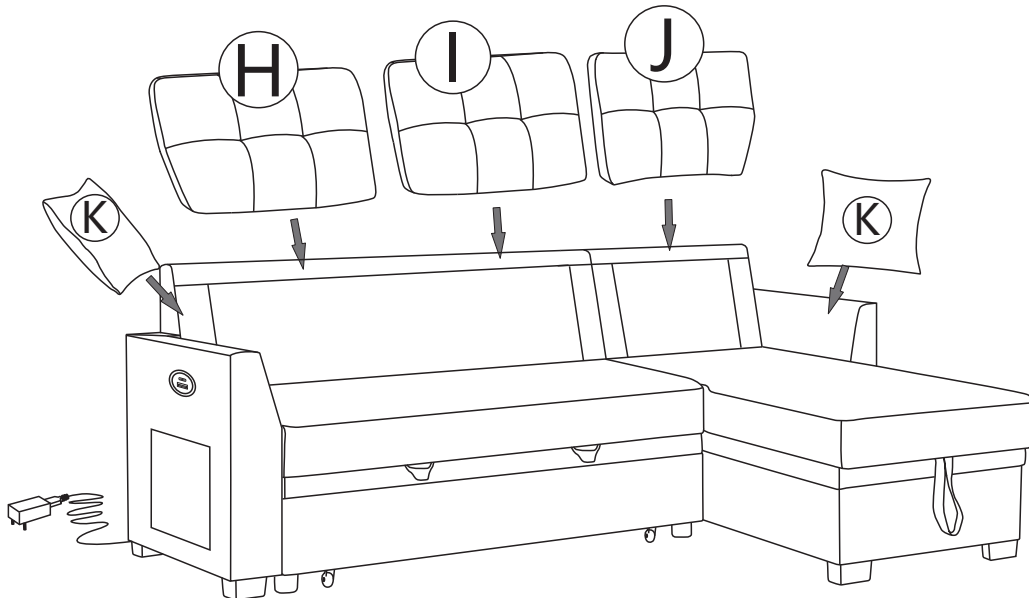
Please Make Sure Both Sides of the Backrest Make Alignment to the Slot Brackets And Inserted Down At The Same Time!



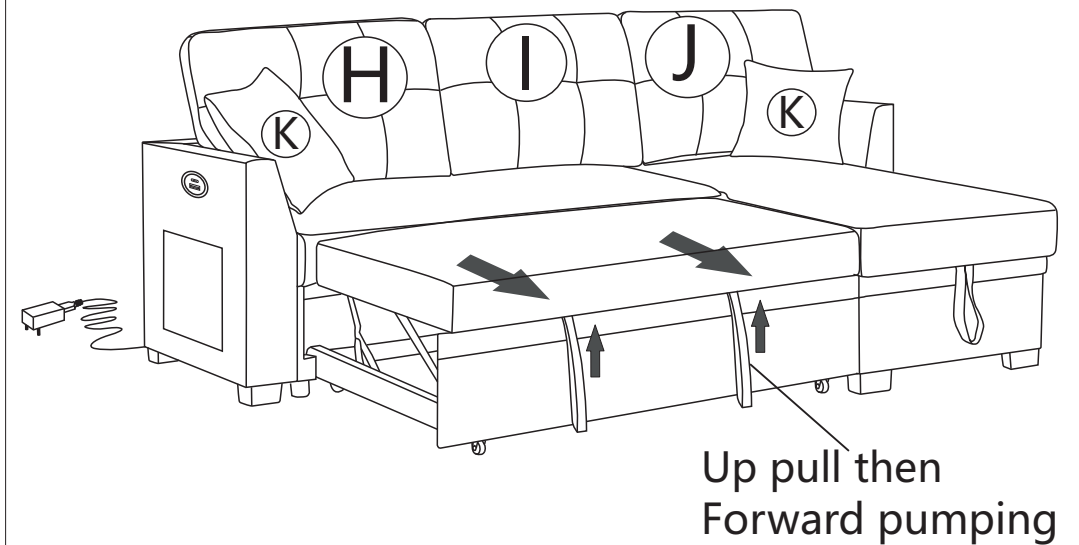
## Step3-R



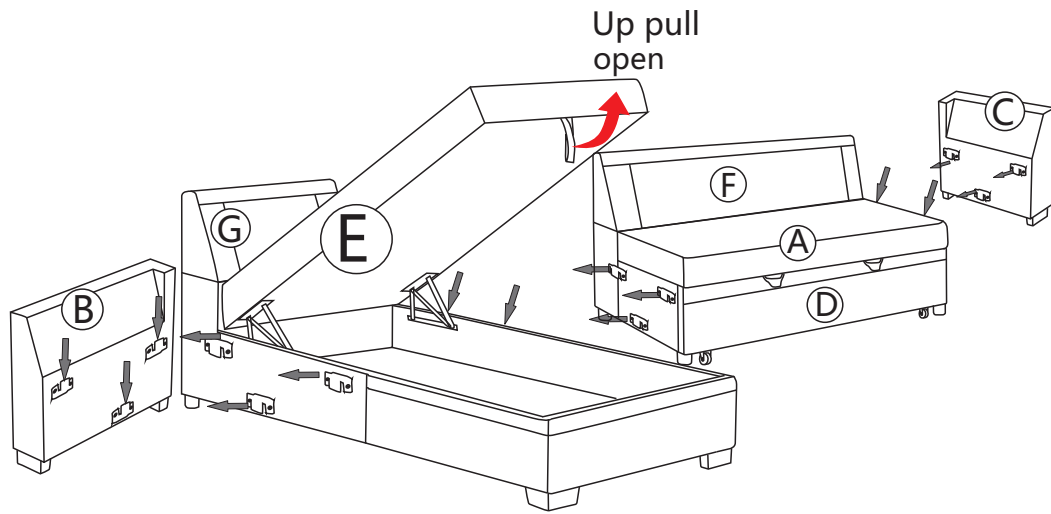
## Step4-R



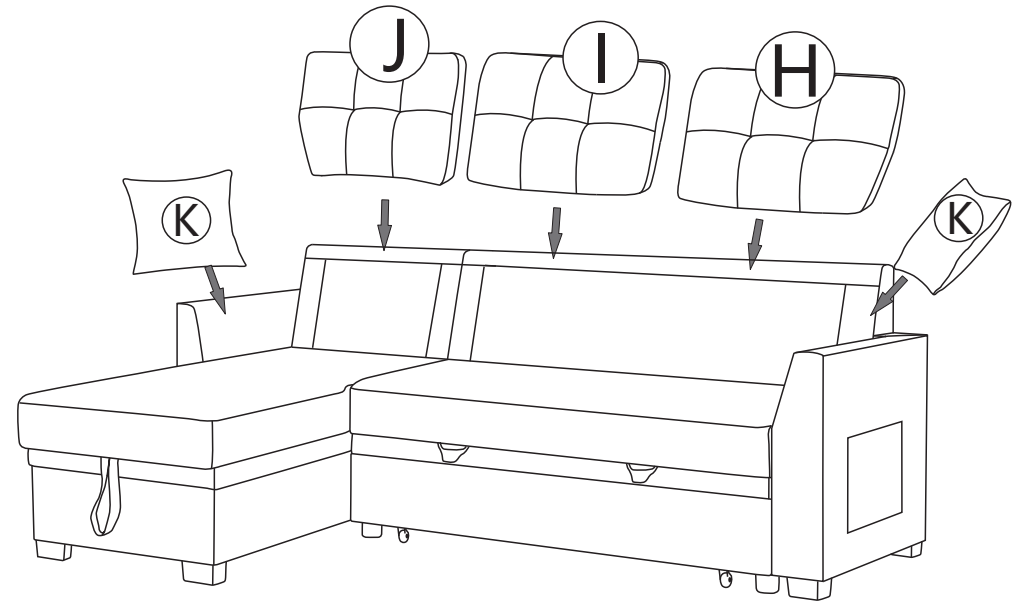
## Step5-R



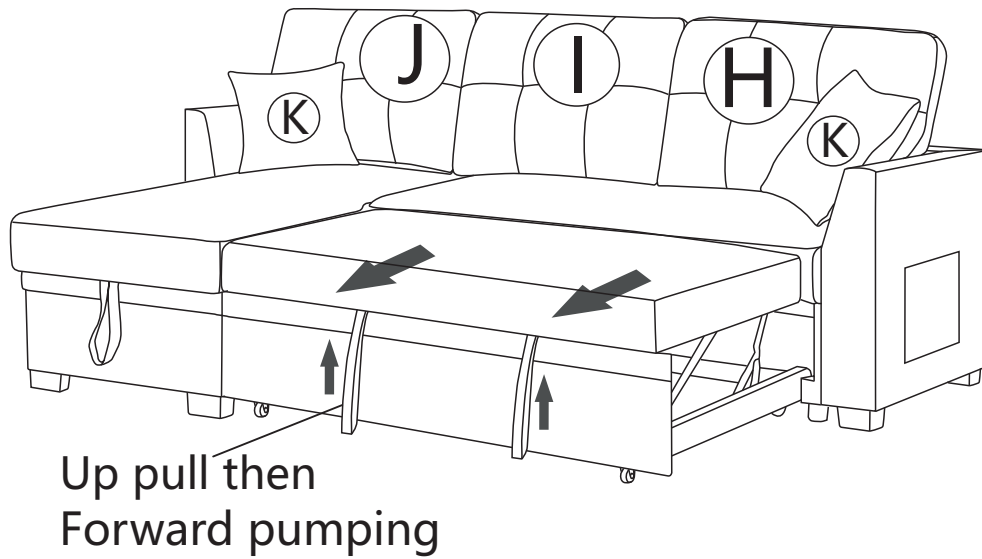
### Step3-L



### Step4-L



### Step5-L



### Step6-L

