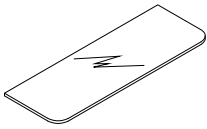
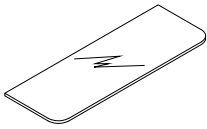
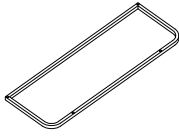
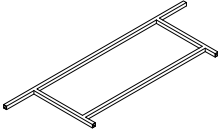

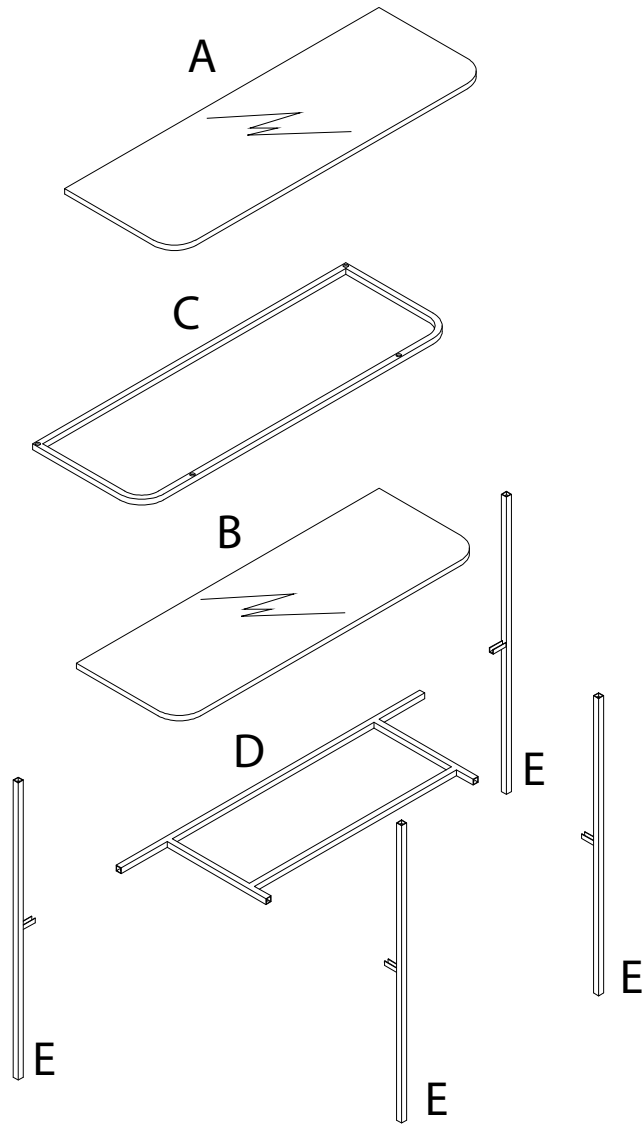
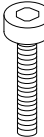

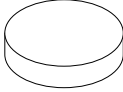




Diagram illustrating safety instructions for assembly:

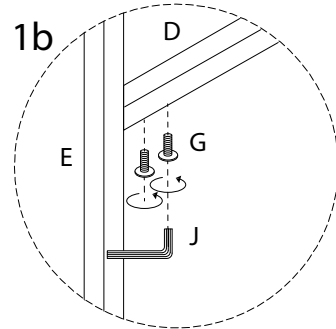
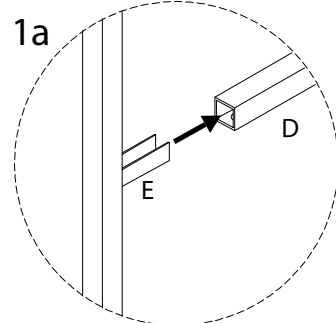
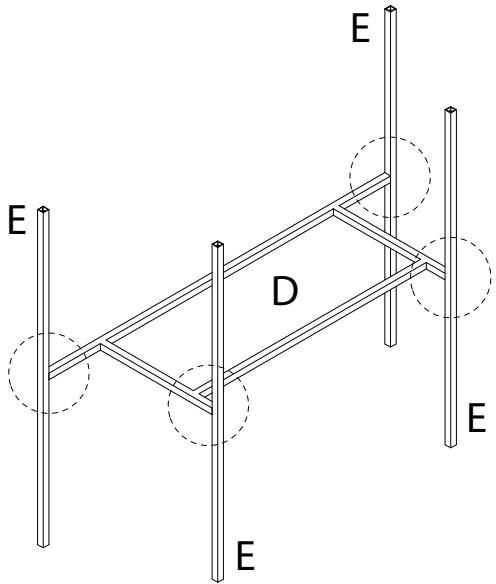
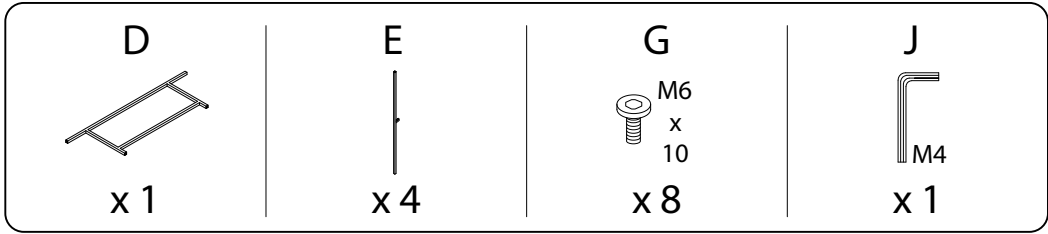
- Top Section:** Shows a corner bracket and a power drill with a slash through it, indicating that a power drill should not be used. A warning triangle with an exclamation mark is positioned to the right. Below this is a clock icon with the text **30'**, indicating a 30-minute time limit.
- Bottom Section:** Shows a rectangular block being placed on a surface and another block being cut with a saw, with a slash through the saw icon. A warning triangle with an exclamation mark is positioned to the right. Below this is a person icon with the text **2**, indicating that two people are required for this step.

A	B	C	D	E
				
x 1	x 1	x 1	x 1	x 4

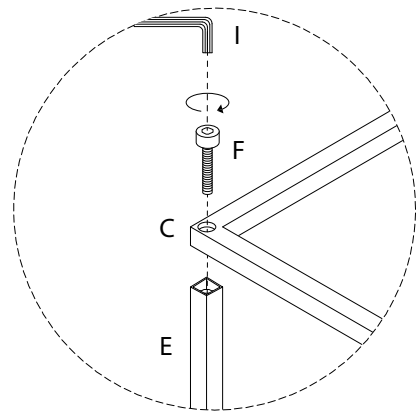
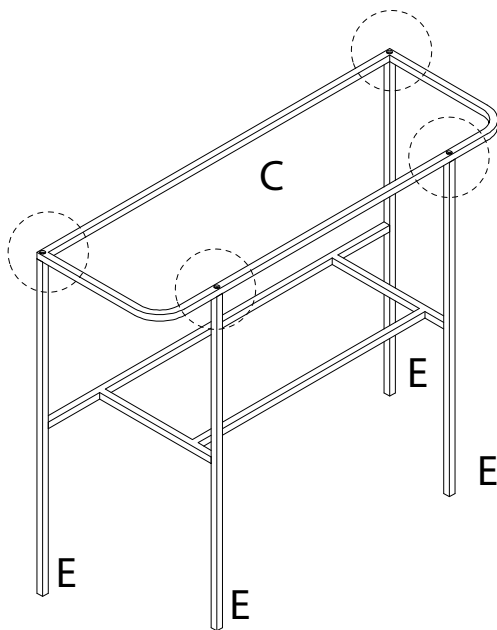
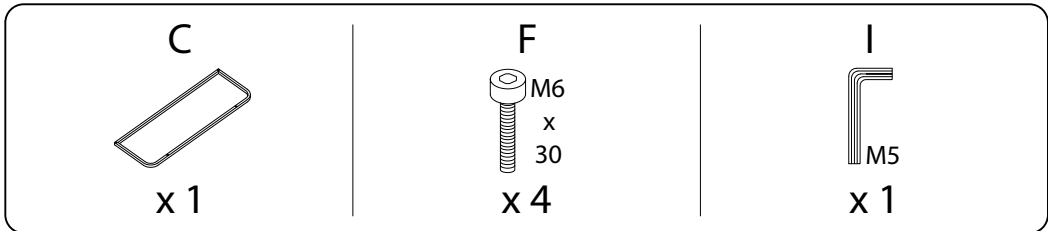


F	G	H	I	J
 M6 x 30	 M6 x 10		 M5	 M4
x 4	x 8	x 12	x 1	x 1

1



2

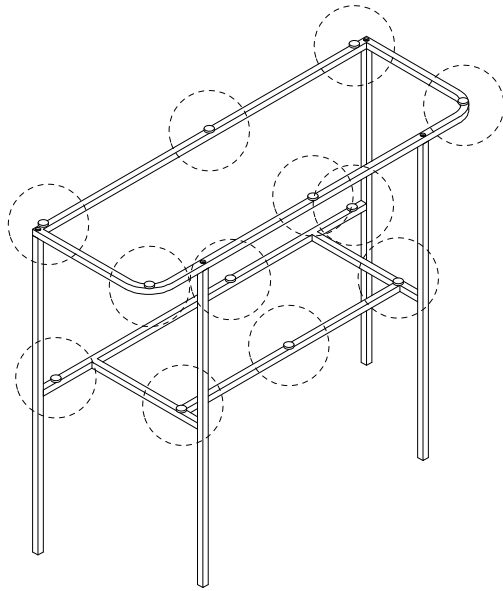


3

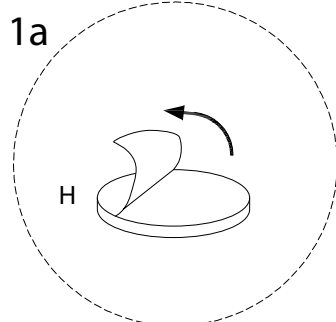
H



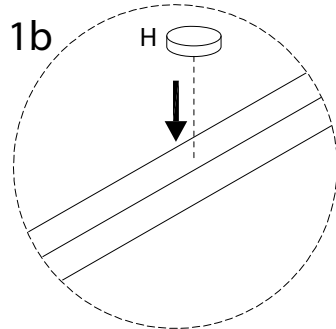
x 12



1a

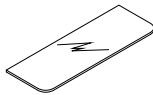


1b



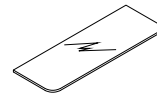
4

A



x 1

B



x 1

