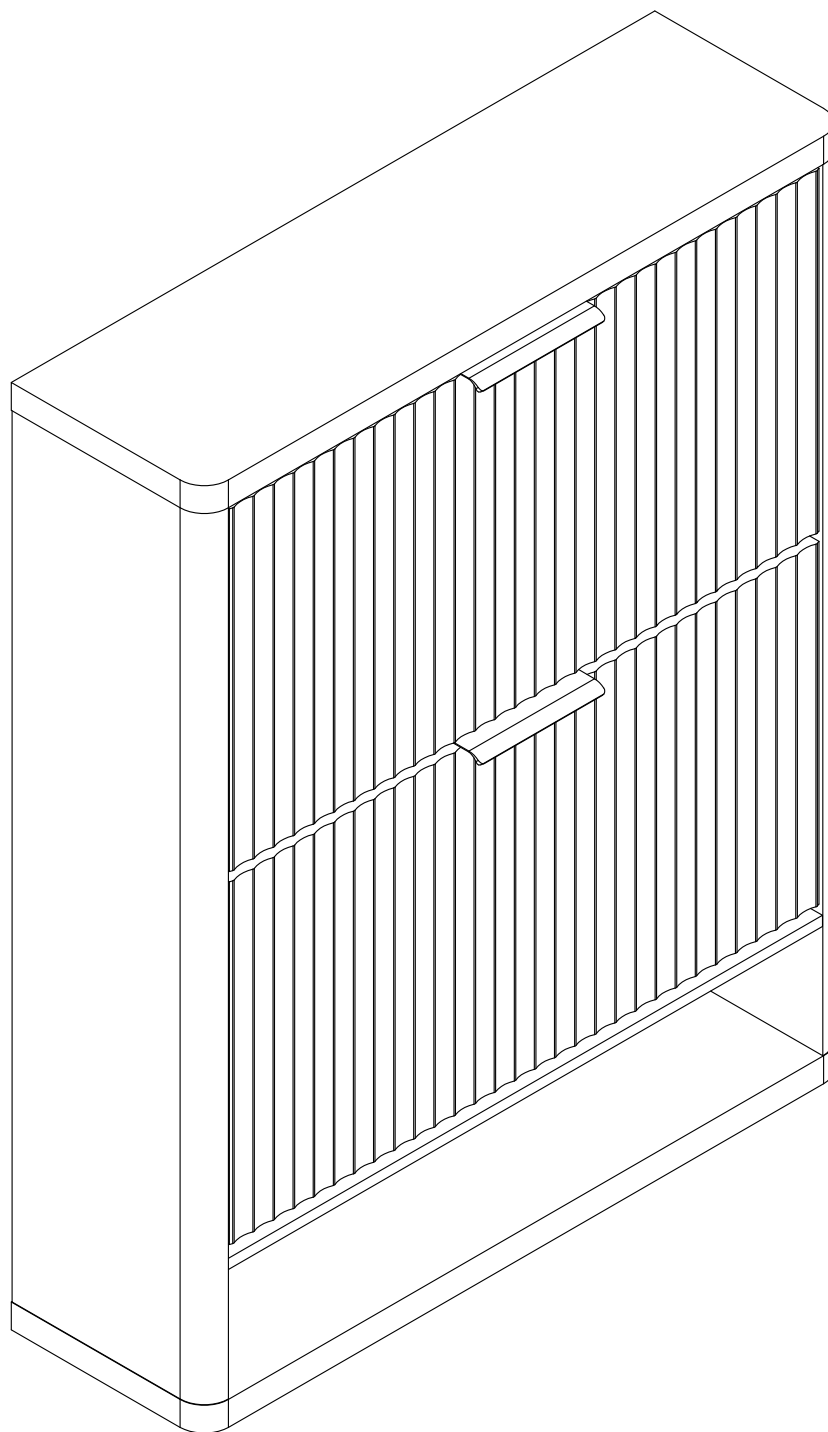
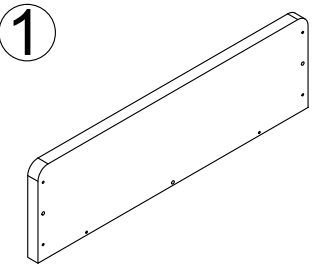
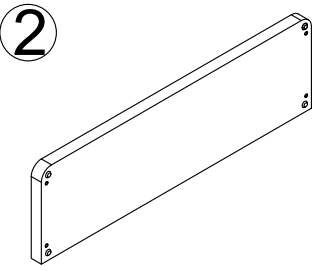
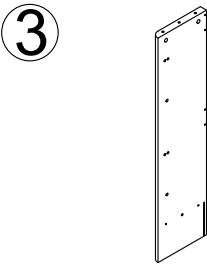
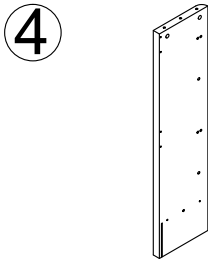
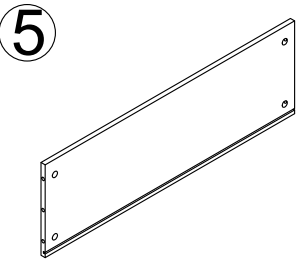
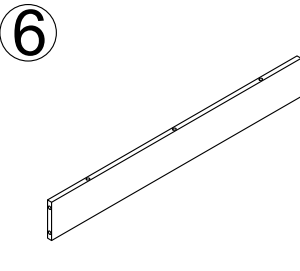
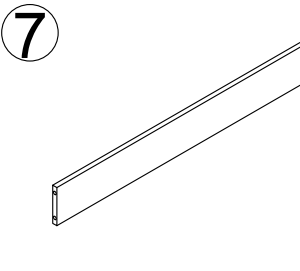
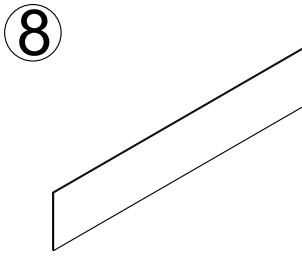
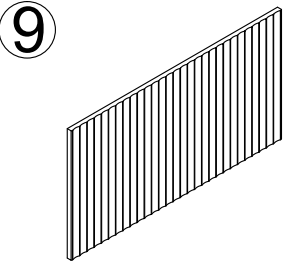
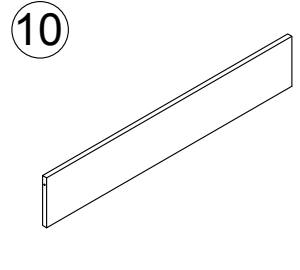
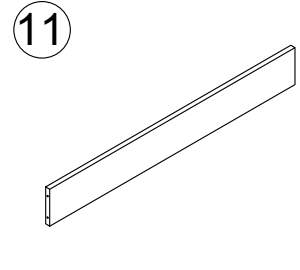
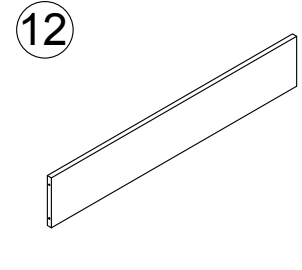


Assembly Instruction



			
1PC	1PC	1PC	1PC
			
1PC	1PC	1PC	1PC
			
2PCS	2PCS	2PCS	2PCS

A	X18
M6x35mm	

B	X18
Ø15x9mm	

C	X2
M4x35mm	

D	X7
Ø8x30mm	

E	X4
M6x15mm	

F	X32
M3.5x16mm	

G	X4

H	X1
4mm	

I	X4
M3.5x12mm	

J	X2

K	X4
M5x50mm	

M	X2

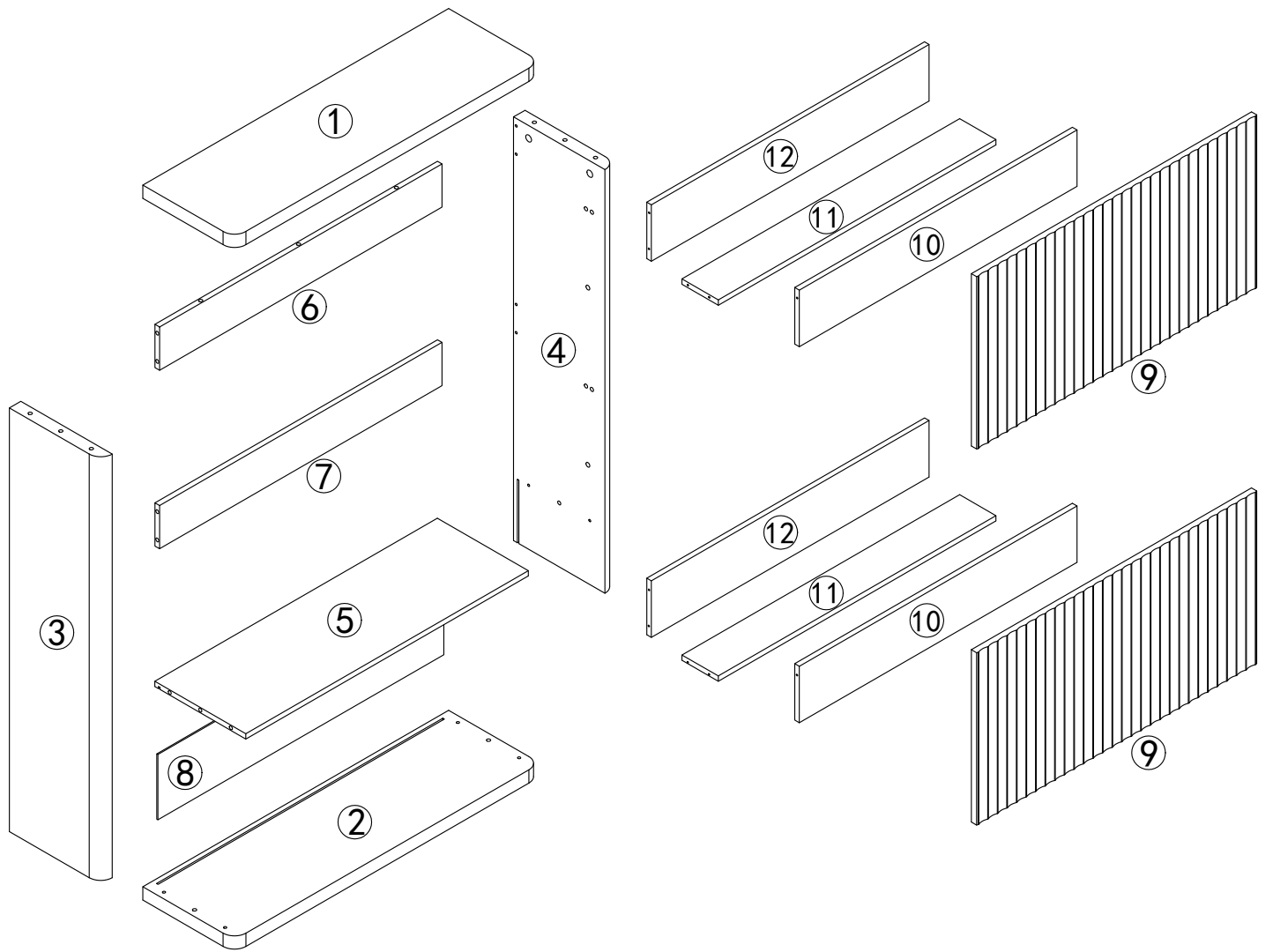
N	X2
M4x12mm	

O	X4

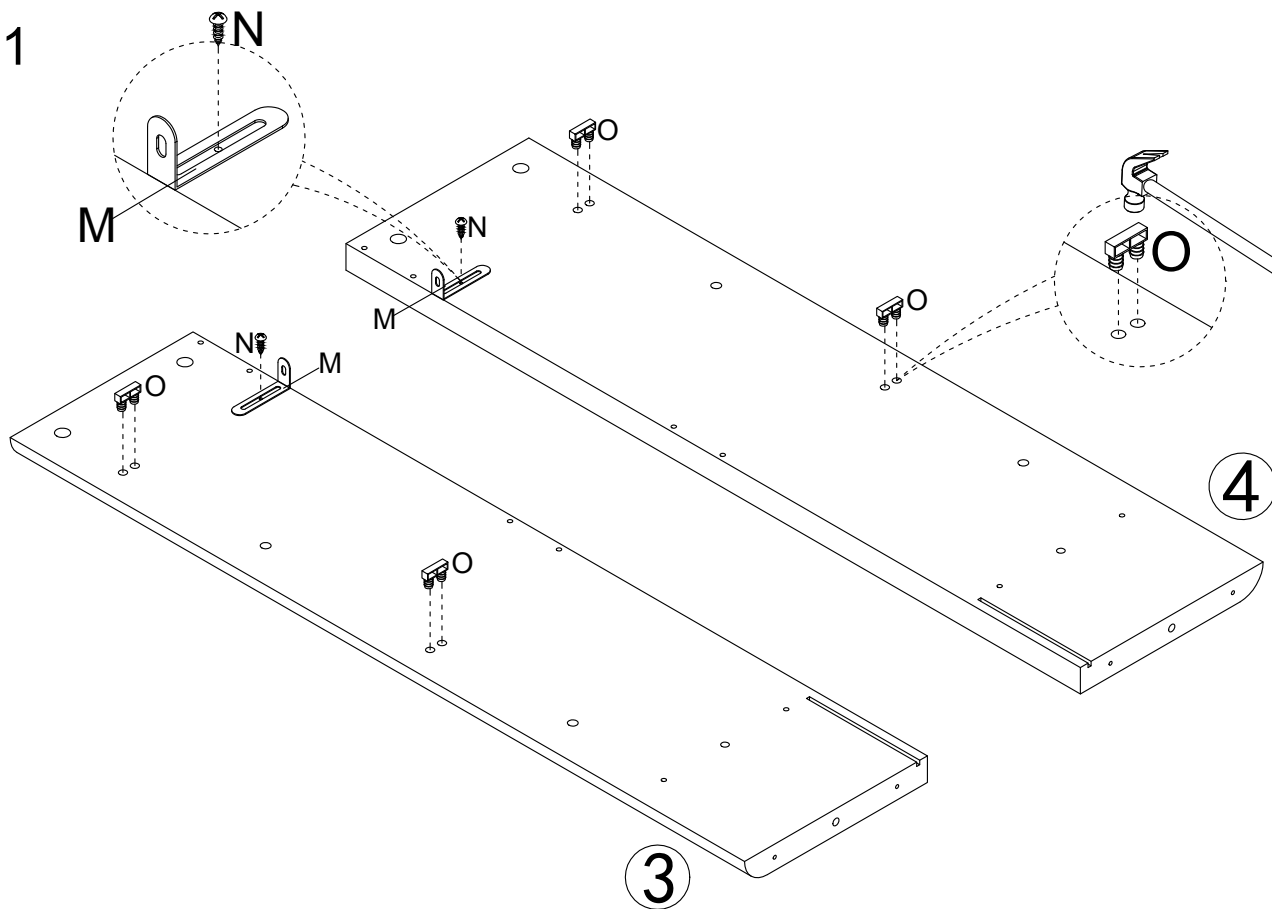
P	X2
Ø6x30mm	




L	X2

R	X2

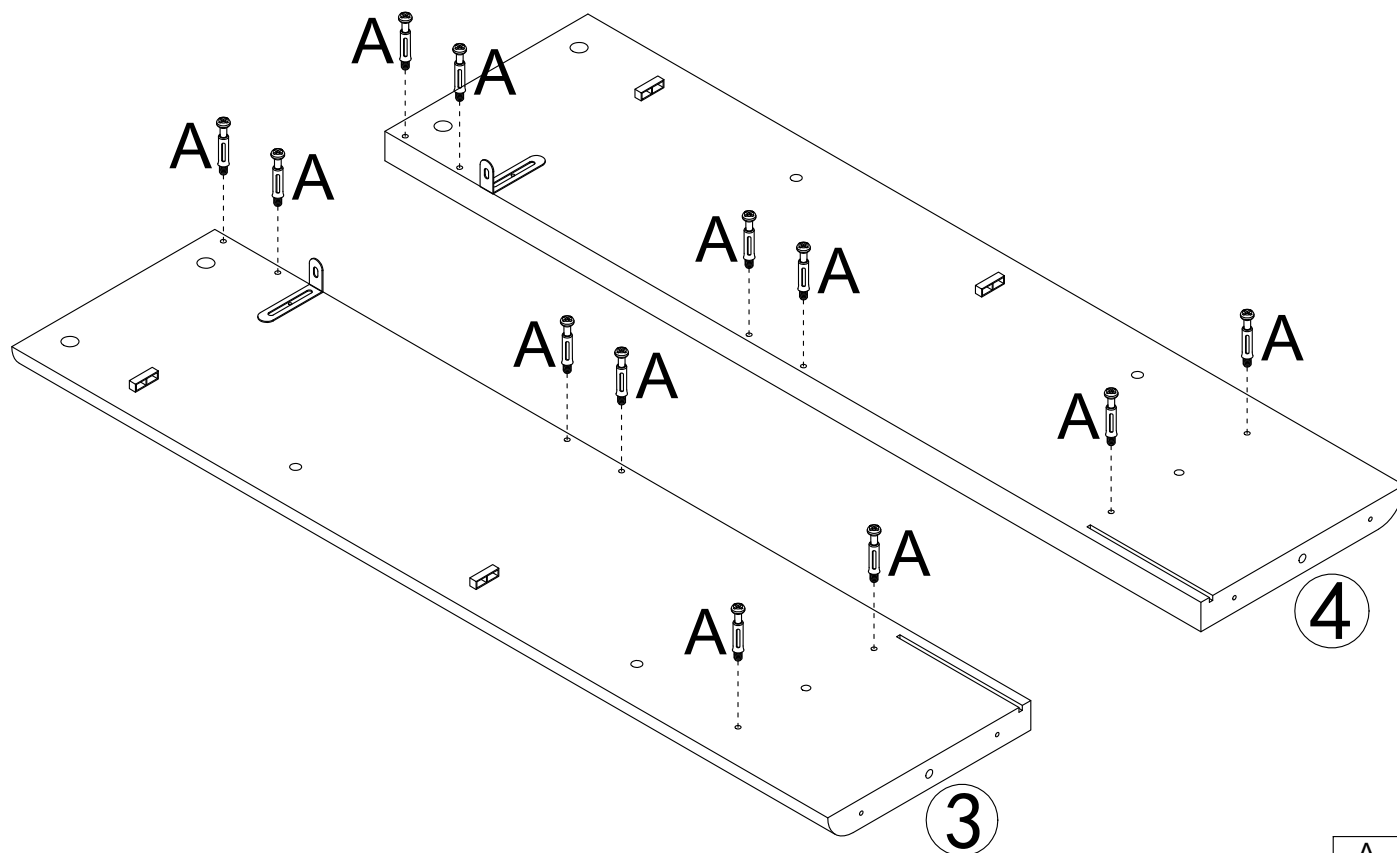



Step 1



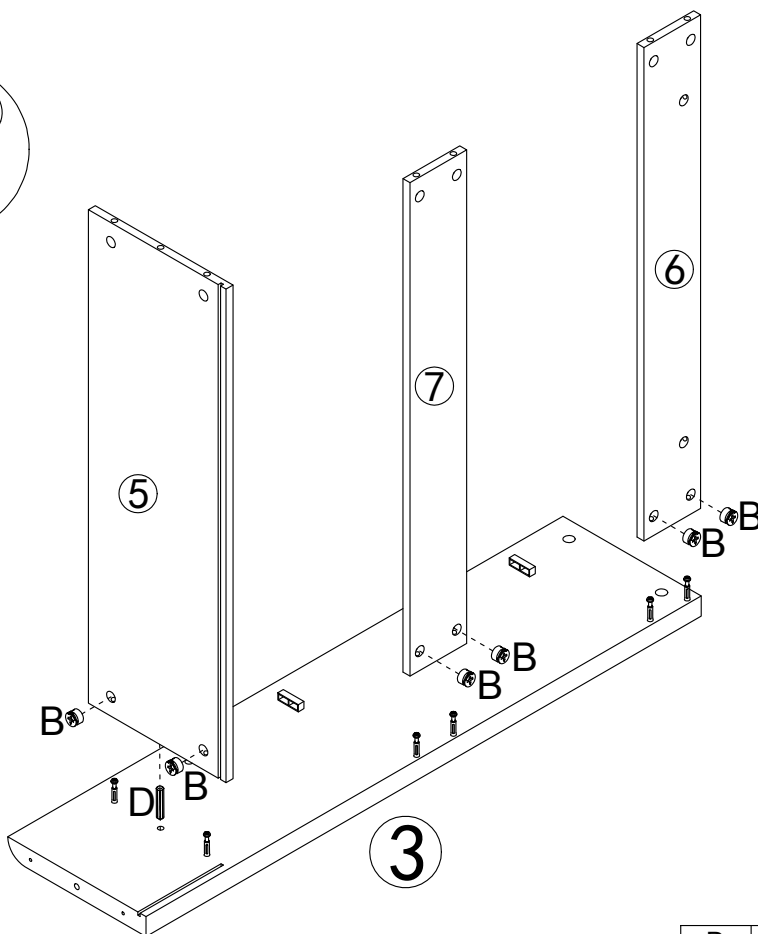
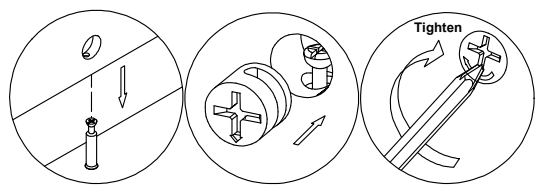
M	X2	N	X2	O	X4
					
		M4x12mm			


Step 2




A	X12
	
M6x35mm	

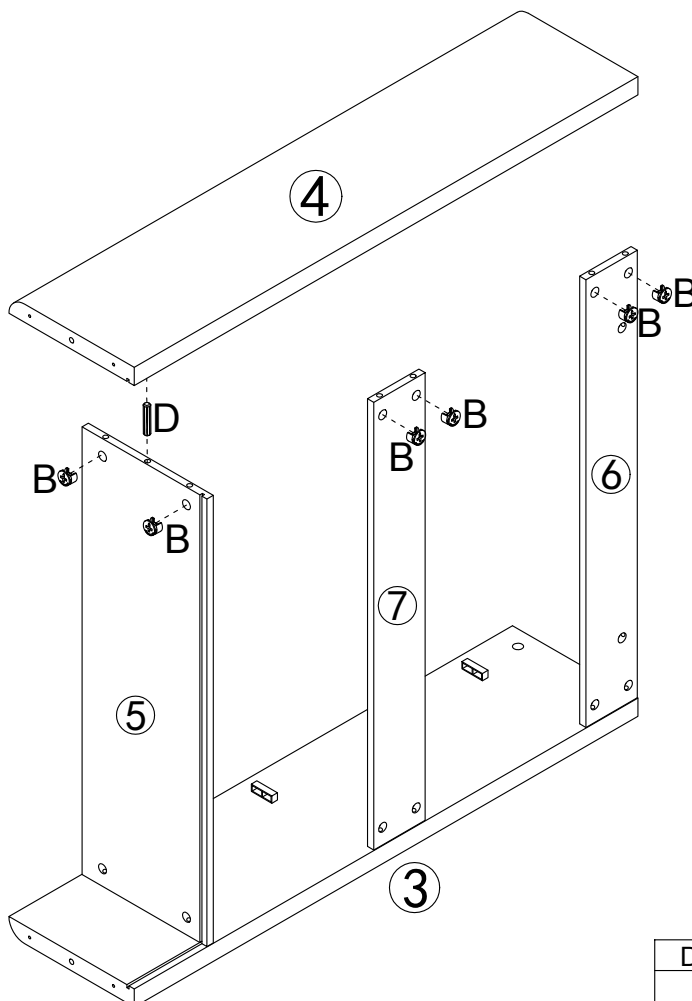
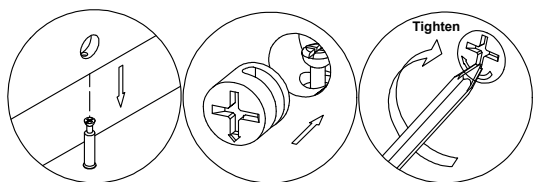
Step 3





D	x1
	
Ø8x30mm	

B	x6
	
Ø15x9mm	

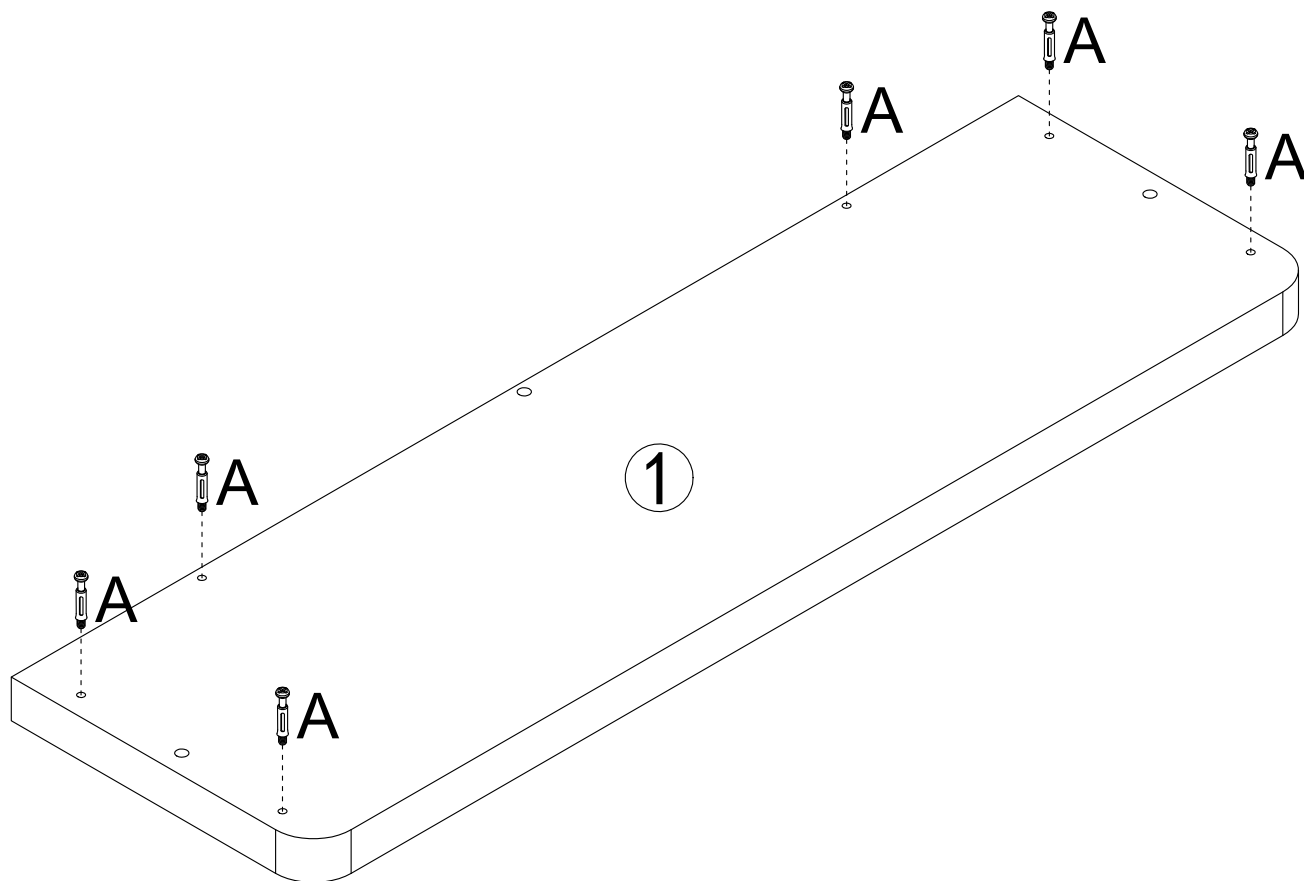
Step 4




D	x1
	
Ø8x30mm	

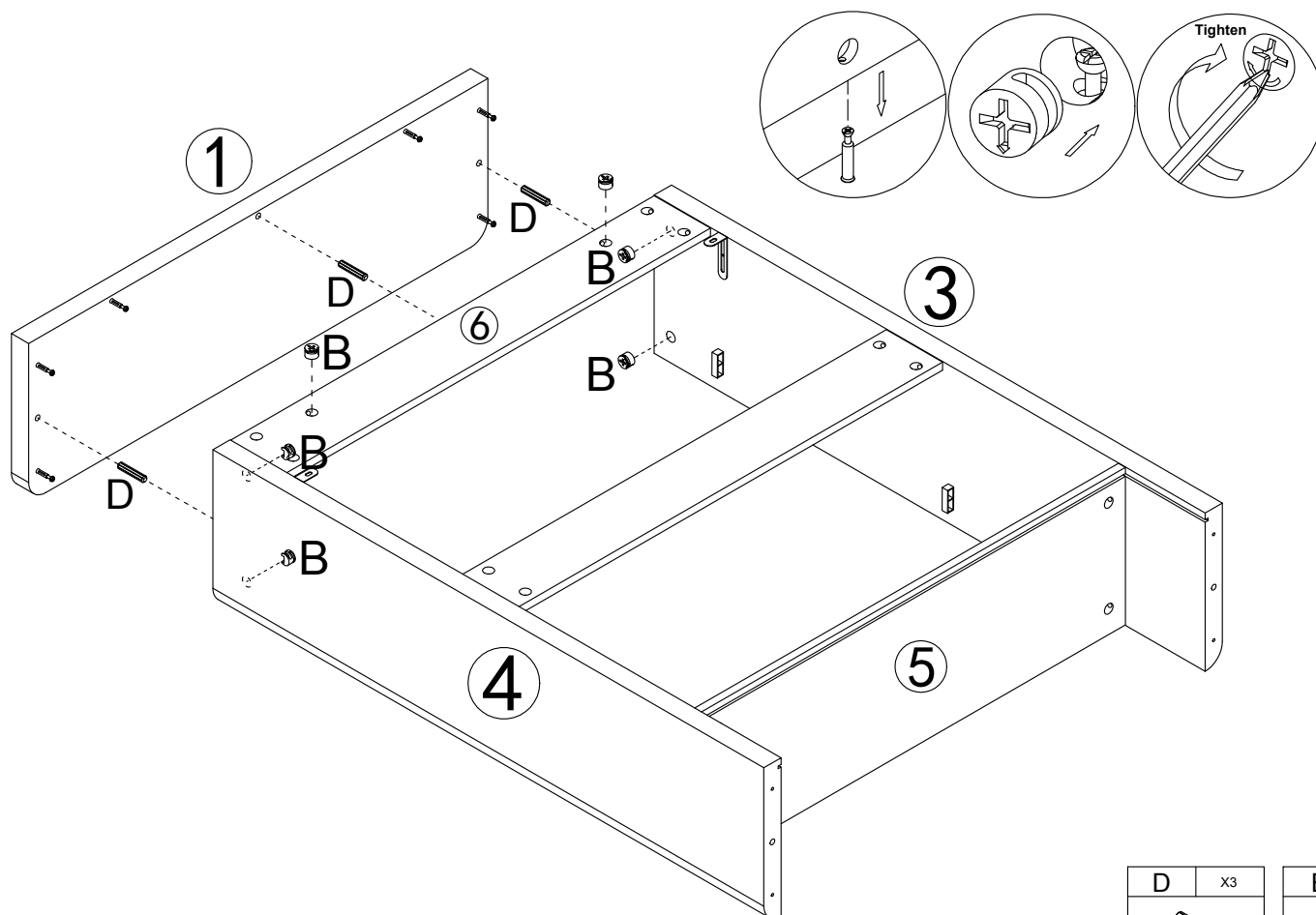
B	x6
	
Ø15x9mm	


Step 5




A	x6
	
M6x35mm	

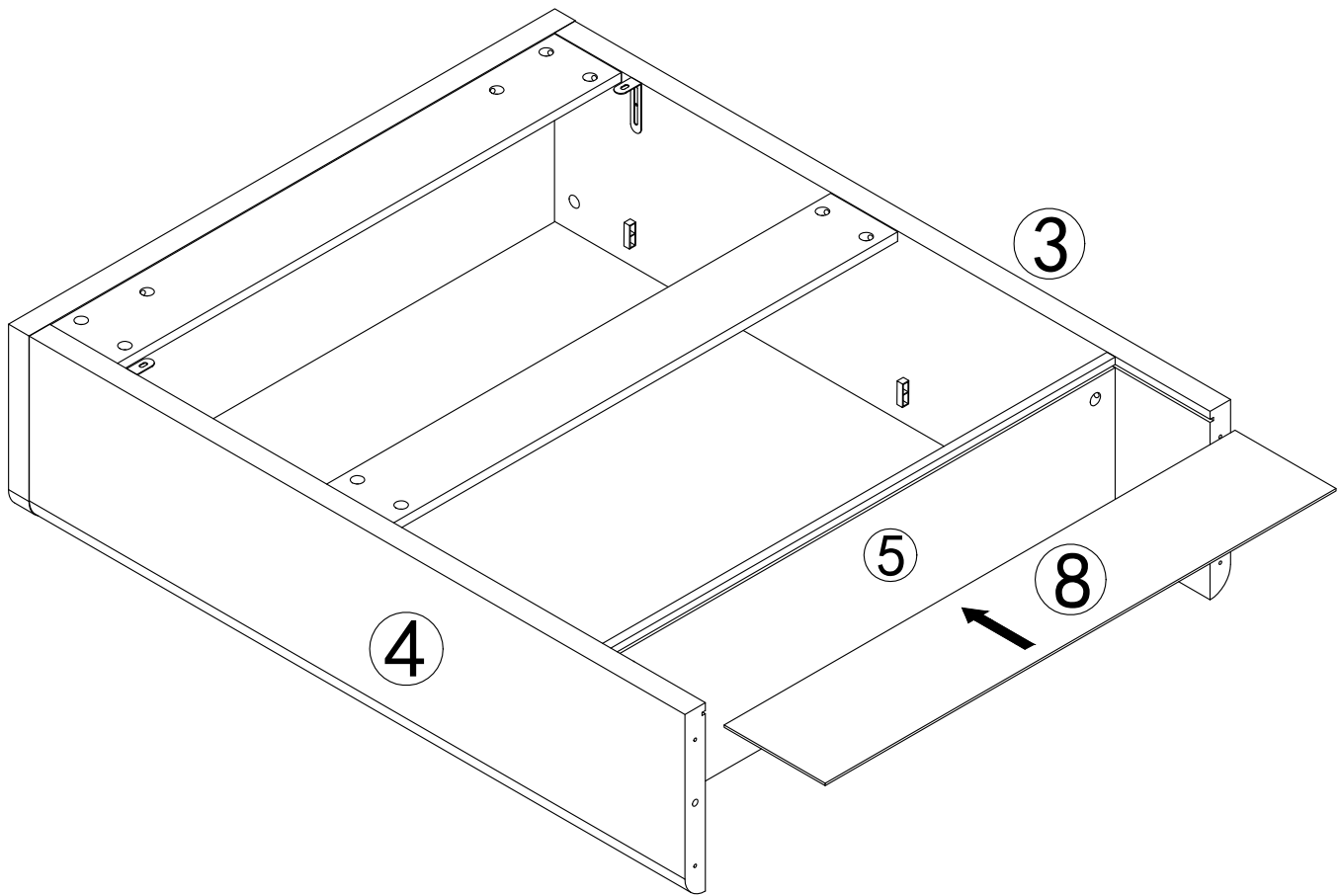
Step 6



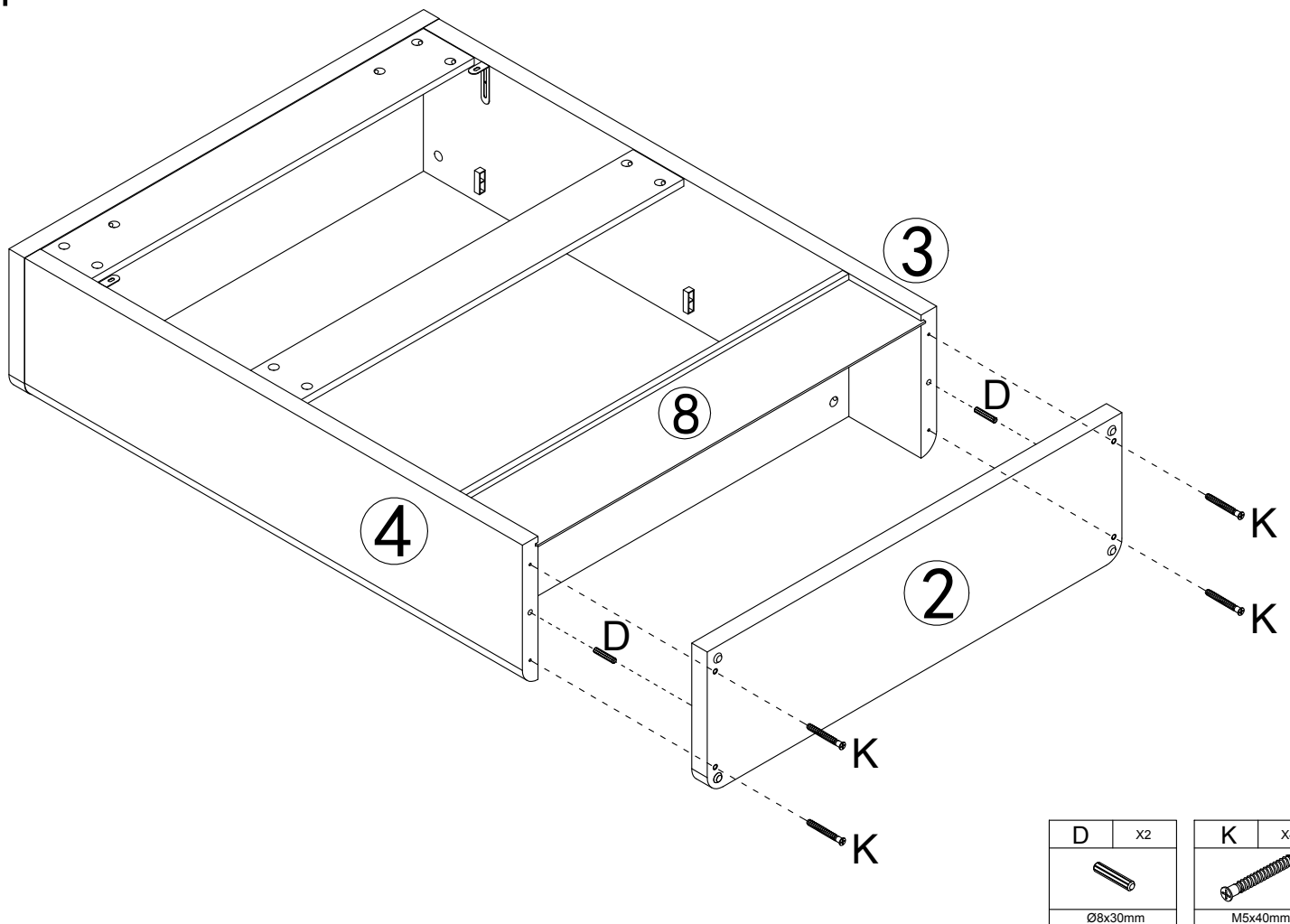
D	x3
	
Ø8x30mm	

B	x6
	
Ø15x9mm	

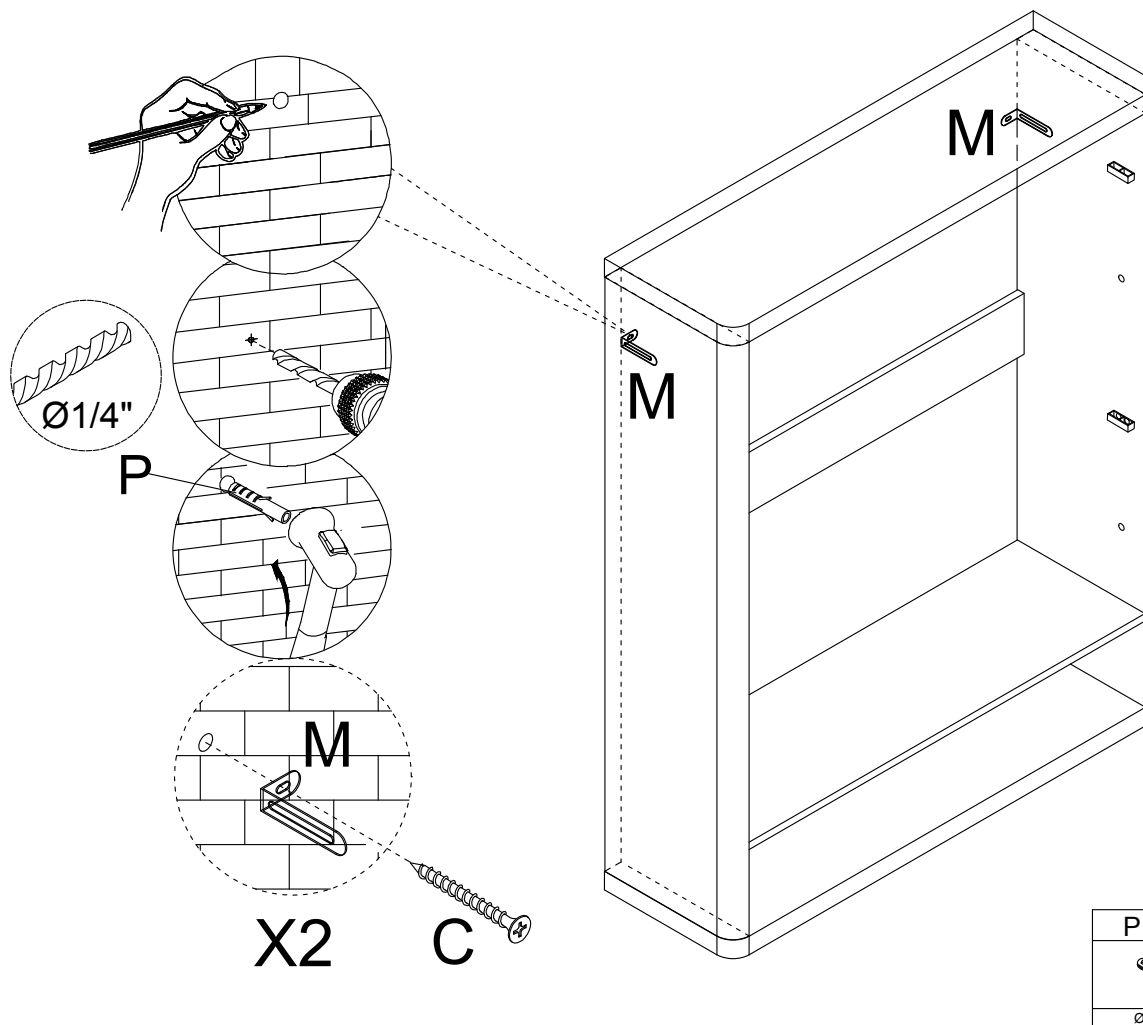
Step 7





Step 8

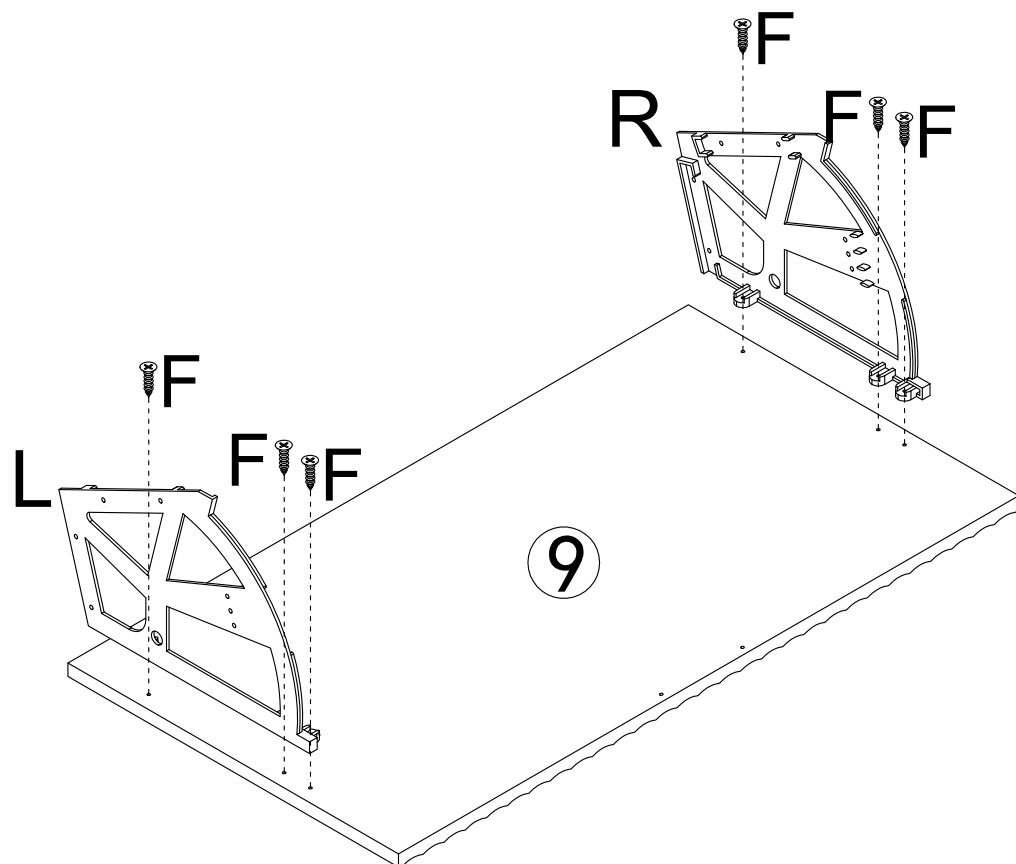


Step 9




P	x2	C	x2
			
Ø6x30mm		M4x35mm	

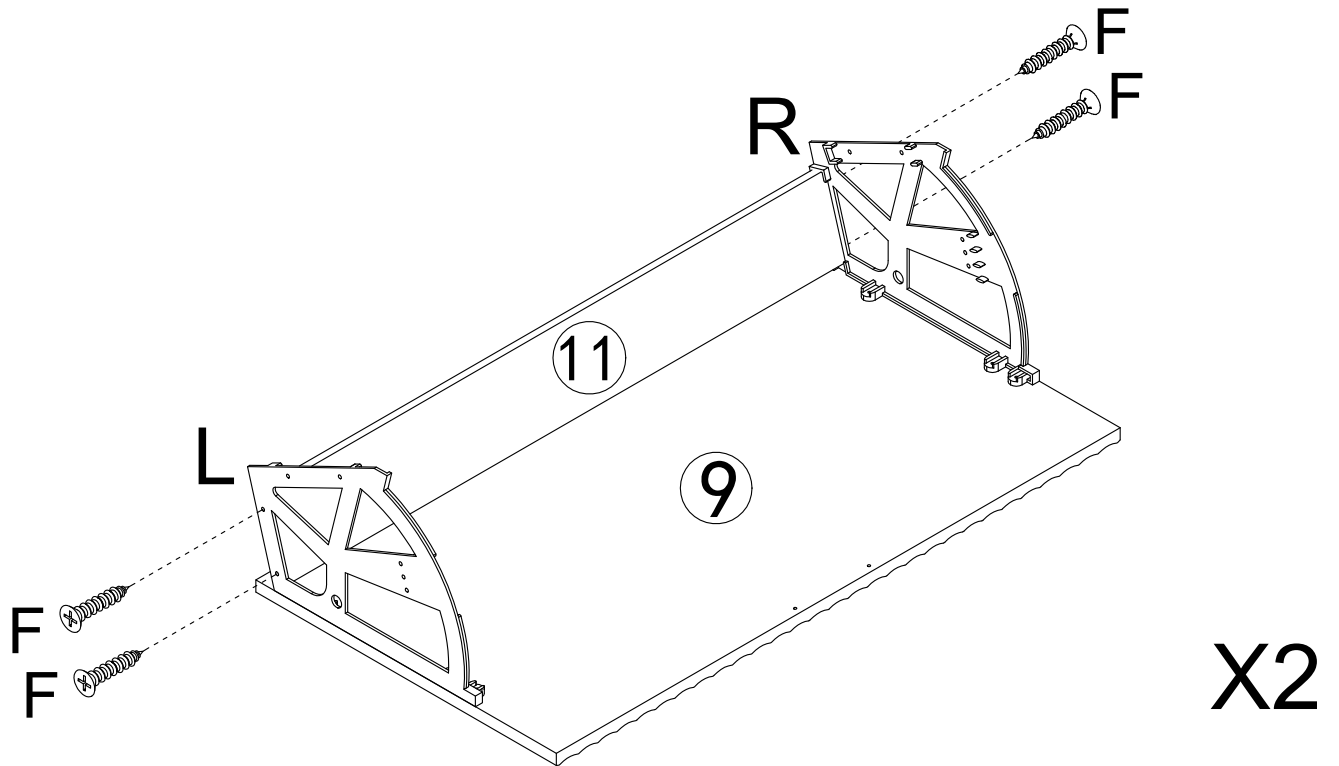
Step 10




X2

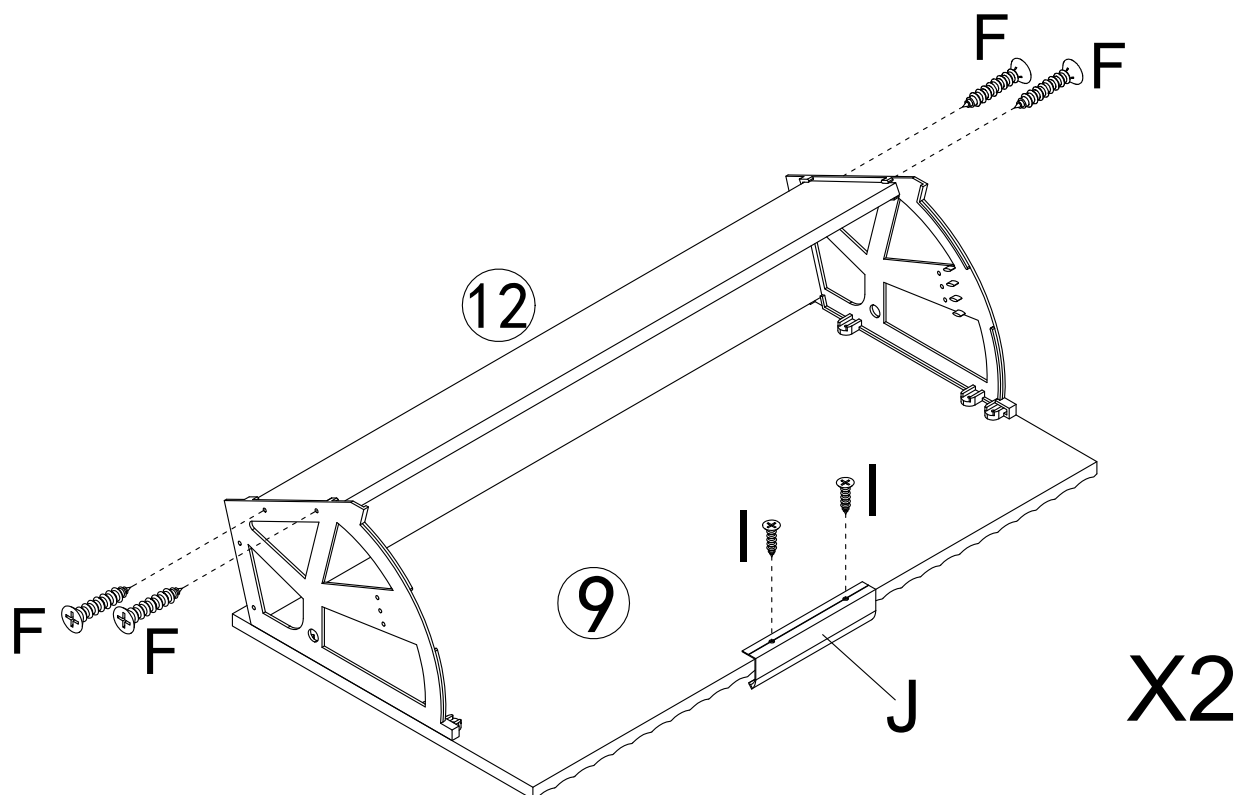
F	x12
	
M3,5x16mm	

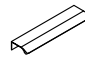
Step 11





F	x8
	
M3.5x16mm	

Step 12

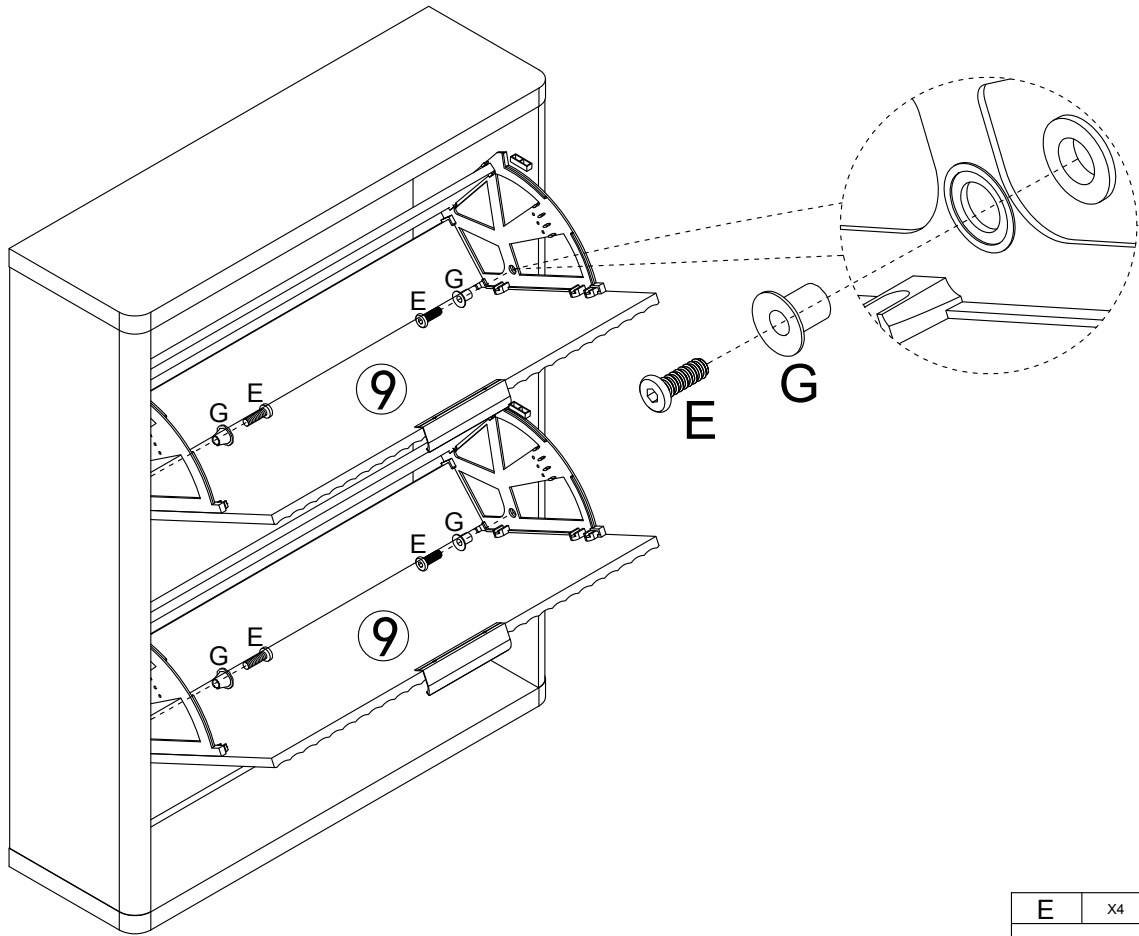




J	x2
	

I	x4
	
M3.5x12mm	

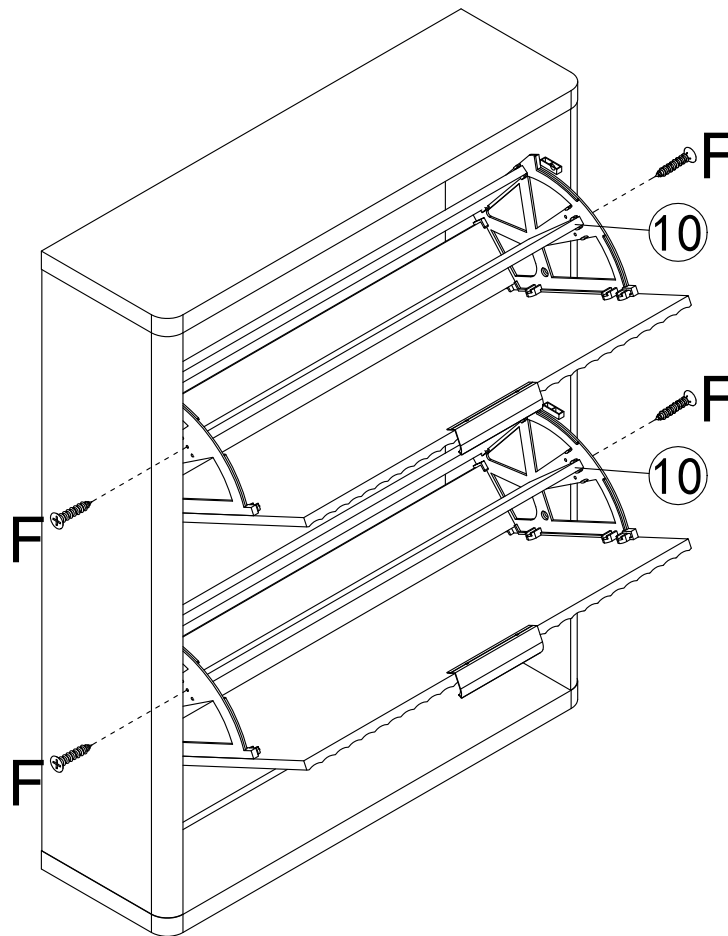
F	x8
	
M3.5x16mm	


Step 13



E	x4	G	x4
			
M6x15mm			

Step 14



F	x4
	
M3,5x16mm	