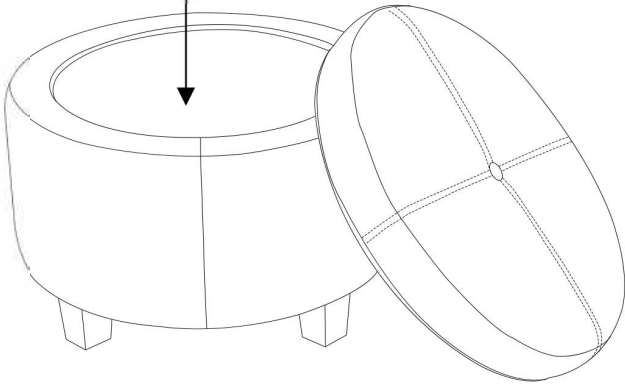
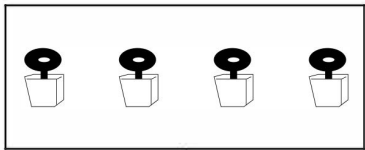


**💡 Assembly Tips:**

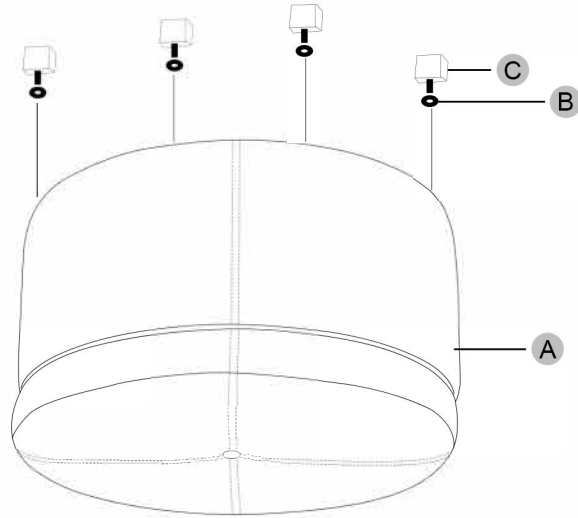
- **STEP 2** - Please rest assured that washers are optional and do not affect the safety of the chair.

①

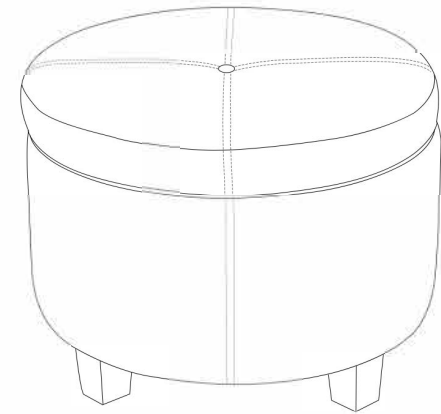
Inside the ottoman, the washers and the legs will be located when you open the lid.



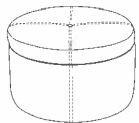
②



③



A



x1

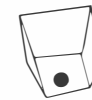
B



$\phi 8^*48^*1 \text{ mm}$

x4

C



$65^*65^*60 \text{ mm}$

x4