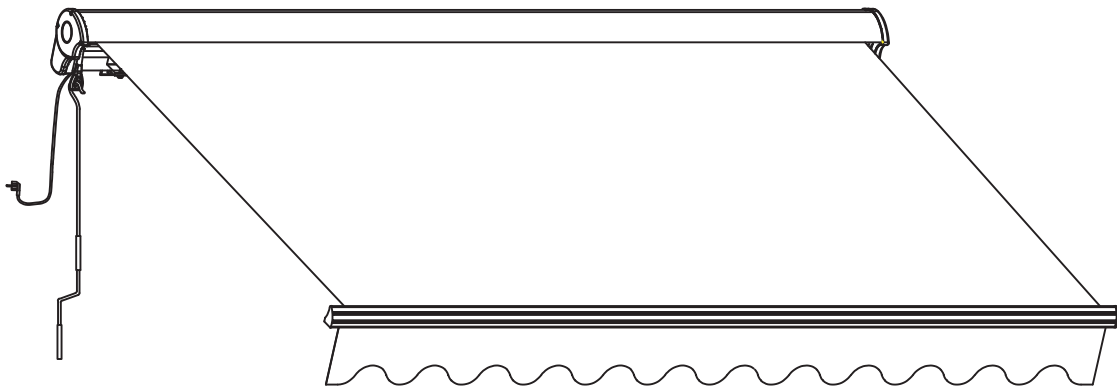




Instructions Manual for Motorized Awning EM3430 / EM3430 L



Content

Packing List	2
Product Description	3
Important Safety Instructions.....	3
Preparations	6
Mounting	7
Power connection	11
Usage	12
Adjustment of motor stop limits	13
Maintenance	15
Cleaning.....	15
Dismounting.....	15
Storage	16
Disposal	16

**Attention:**

Read this instruction manual carefully and completely before mounting and usage. Keep this manual for future reference.

Dear Customer,
congratulations and thank you for buying an awning out of the E3430-y series. To enjoy this product for a long time and for your own and the safety of other people please obey the mounting instructions.

Before you start mounting and using the awning, please get familiar with this product. Make sure all parts listed up in below packing lists are delivered and intact. If you find that there are parts missing or damaged please do not install the awning but contact your dealer. Do not start the mounting if parts are missing our defect.

Packing List

You should find following parts in the package, except that only one kind of brackets mentioned below is supplied:

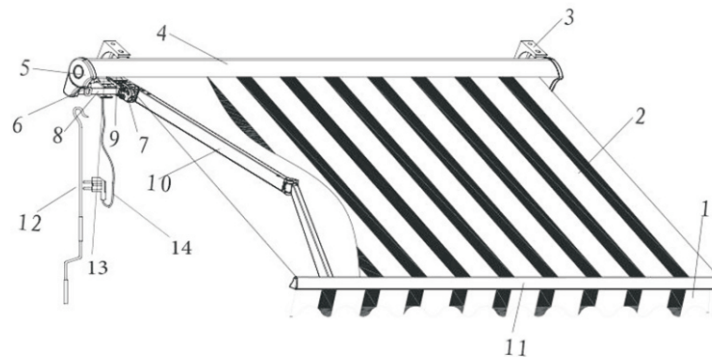
Parts Name	Drawing	Qty/pc	
		12x10'	15x10'
Awning		1	1
Bracket with hexagon head bolt		3	3
Anchor with locknut ,washer and lock ring		6	6
Washer & plastic bolts screws	 Ø10mm Ø14mm M10x80mm	6	6
Remote control	A B	1	1
Motor limit stop adjusting pole		1	1
Hand Crank		1	1
Loop & pin		1	1
Instruction manual		1	1

Technical Data

Model	12' x 10'	15' x 10'
Fabric dimension	3380 x 2950 mm	4380 x 2950 mm
Adjusting angle	5 - 45°	
Recommend tilting angle	Min. 14 to the horizon in case of rain	
Wind resistance	Beaufort scale 4 (28km/h)	
Rate value	120V ~ 50Hz	
Power	205W 50Nm	
Protection Class	IP44	
Remote distance	30m	
Emission sound pressure	Less than 70 dB	

Product Description

Retractable awnings are framework constructions that are mounted on building walls. The construction can be extended by a crank and is covered by a fabric shade that provides sun protection and visual cover. Your awning has been designed and developed to be used in private households, do not use it as rain shelter.



1	Forefront of fabric	8	Square tube
2	Fabric shade	9	Roller
3	Brackets	10	Folding arm
4	Awning Cassette	11	Front bar
5	Roller support	12	Hand crank
6	Gear loop	13	Motor
7	Arm shoulder	14	Powercord with plug

Important Safety Instructions

WARNING: Important safety instructions. It is important for the safety of persons to follow these instructions. Save these instructions.

Symbol explanation



This warning triangle calls attention to hazards that that can lead to death or to severe injuries or which are important for the functioning of the awning.



This sign identifies important notes.

Safety instructions



This appliance can be used by children aged from 8 years and above and persons with reduced physical, sensory or mental capabilities or lack of experience and knowledge if they have been given supervision or instruction concerning use of the appliance in a safe way and understand the hazards involved.

Children shall not play with the appliance.

WARNING: Important safety instructions. It is important for the safety of persons to follow these instructions. Save these instructions.

WARNING: Important safety instructions. Follow all instructions, since incorrect installation can lead to severe injury.

The supply cord of this drive can only be replaced by the same type of cable supplied by the manufacturer of the drive.

Fixed controls have to be installed visibly.

Do not allow children to play with fixed controls. Keep remote controls away from children.

Frequently examine the installation for imbalance and signs of wear or damage to cables and springs. Do not use if repair or adjustment is necessary.

Do not operate the awning when maintenance, such as window cleaning, is being carried out in the vicinity.

Disconnect the awning from the supply when maintenance, such as window cleaning, is being carried out in the vicinity.

Instruction concerning persons (including children) with reduced physical, sensory or mental capabilities, or lack of experience and knowledge not applicable.

Before installing the drive, remove any unnecessary cords and disable any equipment not needed for powered operation.

Install the actuating member of a manual release at a height less than 1,8 m.

That actuating member of a biased-off switch is to be located within direct sight of driven part but away from moving parts. It is to be installed at a minimum height of 1,5 m .

The awnings must be installed at least at the height of 2.5 m only on a reinforced concrete wall or massive brickwork. Please ask professionals for help if you are not sure.

If your building has an exterior shell (such as insulation, double brick wall, brick facing), installation should be taken out by a professional.

If the wall/brickwork shows cracks you have to consult a professional.



Do not allow children to play with fixed controls.



Frequently examine the installation for imbalance and signs of wear or damage to cables and springs. Do not use if repair or adjustment is necessary;



Do not operate the awning when maintenance, such as window cleaning, is being carried out in the vicinity.



Disconnect the awning from the supply when maintenance, such as window cleaning, is being carried out in the vicinity.



Disconnect the awning from the supply when do an inspection or maintenance of the electrical parts.



Never modify the design or configuration of the equipment without consulting the manufacture or the authorized representative, for it may create a dangerous situation.



If the supply cord is damaged, it must be replaced by the manufacturer, its service agent or similarly qualified persons in order to avoid a hazard.



Install the actuating member of a manual release at a height less than 1.8 m.



Fixed controls have to be installed visibly.



If there is any damage on power cord or plug, never use the awning before changed by qualified representative.



To install this awning technical knowledge is necessary. Do not mount this awning yourself but contact a professional workman for help if

- ◆ you are unsure if the awning can be mounted on the place you chose for installation.
- ◆ you do not understand the instruction manual or parts of it.
- ◆ you do not have necessary tools available.
- ◆ you do not have necessary technical knowledge



A minimum of three healthy adults are required to move and install the awning as the product is big and heavy. Do not try to install the awning alone. If the awning falls, it could cause serious injuries and damages! Contact an authorized assembler for help.



Do not install the awning when you find damage parts are that parts are missing. Contact your dealer.



Keep children and pets out of the working area during assembly and adjustments.



This product and its fixing parts are only suitable for installation on a plain cement wall or stable unrendered brickwork. If the wall/brickwork shows cracks you have to consult a professional.



If your building has an exterior shell (such as insulation, double brick wall, brick facing), installation should be taken out by a professional.



Nobody is allowed to change the products' design and structure without the permission of manufacture or authorized deputy.



Please make sure that your hands are clean at the time of the assembly; otherwise you may soil the awning fabric and frame.



The operation in frosty conditions may damage the awning.



The operation in snowy conditions may damage the awning.



In case of rain retract the awning.



Nobody is allowed to climb onto the awning. Hanging anything on the awning is forbidden.



Sheeting was used to protect the paint. This must be removed afterwards.



When extended, various forces, including wind and rain, will affect an awning. These sometimes substantial forces must be absorbed by the awning and transferred to the assembled structure via its mounting brackets. Under extreme loads, excessive attractive force can be exerted on the anchor bolts. Therefore, before starting assembly, check the load-bearing capacity of the mounting base and if necessary take corresponding measures to ensure stable installation of the brackets.

If the mounting base is unstable, you have to consult a specialist in your vicinity.

Preparations









Make sure that no children and pets are present during mounting. They could get hurt by lain out parts or tools.

Carefully remove the awning from the box and remove the styrofoam protectors from the awning. Remove the plastic bags and plastic guards from the awning and carefully place the awning aside to avoid having it damaged by scratches or otherwise damaged or soiled during assembly. Check the number of parts in the packaging whether the packing list requirements, the quality of parts availability issues, if questions, please contact the supplier.



Be aware the sudden extension may occur during unpacking.

Tools needed for assembly:

 Drill	 Level	 Stepladder	 Chalk or marker pen
 Masonry drill bit 14mm	 Wrench 14mm 17mm and 19mm	 Tape measure	 Wooden hammer

Mounting



Mounting on a concrete or brick wall

The awnings must be installed at least at the height of 2.5 m only on a reinforced concrete wall or massive brickwork. Please ask professionals for help if you are not sure

If your building has an exterior shell (such as insulation, double brick wall, brick facing), installation should be taken out by a professional.

If the wall/brickwork shows cracks you have to consult a professional.



Make sure the wall/ceiling is plain, so that bracket seats solidly.



WARNING! Three healthy adults with technical knowledge are needed to move and install the awning.



For safe and smooth installation think about where you will be securing the awning to the wall before you start drilling holes.

before installing the drive, remove any unnecessary cords and disable any equipment not needed for powered operation.

Step 1: Chose Mounting Location

Ensure that you also take this drop height into account in your decision on where to install the awning. The drop angle can still be changed after assembly. The ideal drop angle, however, has already been set at the factory and may only be changed minimally.

We recommend that the awning front bar has a height of at least 2.5 m when it is fully extended – if your local conditions do not allow this you can mount the awning in lower position. The horizontal centre line through the lower drilling holes must be 60 cm higher than the axis of the front bar to meet the minimum tilt angle of 14°.

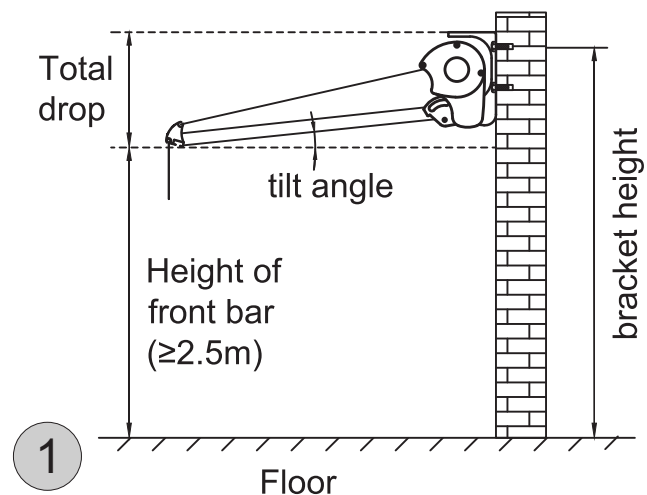
In the event you would like to mount it above a balcony door, you should leave a space of at least 20 cm above the door frame if there is enough space available above the door frame.

Figure 1

When choosing mounting location you must take tilt angle into consideration.

We recommend that the awning front bar has a height of at least 2.5 m, total drop A must be at least 0,60 m.

At a height of front bar at 2,50 height of centre line through lower drilling holes is at least 3.10 m.



Step 2: Mark Drilling Holes

After choosing mounting position you can mark where you need to drill holes for the brackets. Draw a horizontal line at the height of the required place. Use a long taper measure, a level and chalk.

We already marked where and with what width brackets need to be mounted. Measure the width between the brackets and copy it to the line on your wall/ceiling.

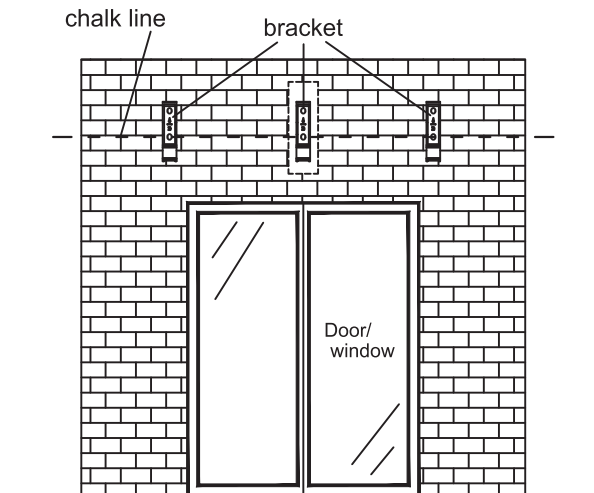
Hold a bracket with the lower mounting hole on the height for the chalk line to the wall (please refer to figure 5 for correct position of the bracket) and mark the two drilling holes. Use the bracket at centre mark template by running a marker pen through the holes of the brackets.

Alternatively you can use the packing to make a centre mark template. Just lay the awning inclusive brackets on the packing and mark the drilling holes. Then hold the template against the wall in corresponding height. Use a level.

Figure 2:

Mark drilling holes by using a chalk line to ensure that awning will be level after mounting. One wall bracket is put on the middle of torsion bar. Others are put outside arm shoulder about 10-20cm.

2



Step 3: Drill Holes

Use 14-mm masonry drill to drill the holes for the brackets at the appropriate marks on the wall. The holes should be 9 cm deep in the wall and must be drilled through solid masonry or concrete. Do not bore through mortar because this does not offer the strong enough support for the heavy duty anchors, which are required for the installation of awning.

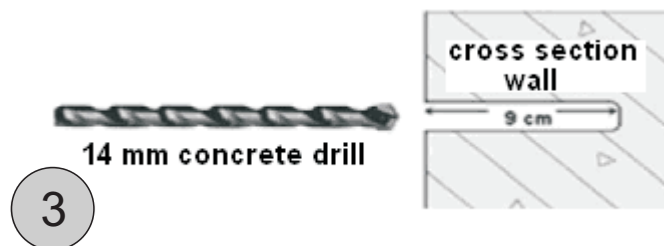


Figure 3:

Use 14-mm masonry drill to drill 9 cm deep holes.

3

Step 4: Insert Heavy Duty Anchors

After drilling, clean the holes by blowing them out. Then insert the heavy duty anchors into the holes.

Before inserting lose the nut, spring washer and flat washer. Put them at the side, so that you have it at your fingertips.



It may be necessary to drive in the anchor bolts with a wooden hammer because they do not go in easily. First loosely screw a nut on the screw of the heavy duty anchor. Screw the nut to the outer metal edge of the heavy duty anchor, make sure the nut loose so that the cone on the back cannot be pulled into the metal jacket and spread it. Now, the power of impact will also be effective to the jacket, so that not only the cone will not be pushed out of the anchor, but that the jacket will be moved into the hole too. Only use light impact to drive the heavy duty anchor into the wall. Caution: To hart impacts might damage the heavy duty anchor! If you have doubts pull out the anchor and drill the hole again, but do not make it bigger.



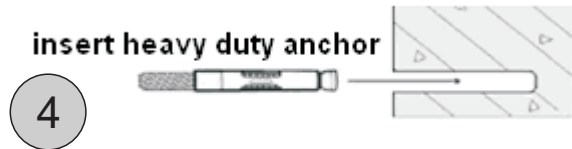
Attention: If you find that there is no resistance when you pull out the nut of the heavy duty anchor, then the heavy duty anchor has not enough anchorage. You have to repeat the complete mounting with a minimum offset of 15 cm!



For correct mounting jacket of heavy duty anchor must be inserted completely, it may not overlap! If necessary remove the anchor and drill the hole deeper.

Figure 4:

Insert heavy duty anchors as shown into the drilling holes.



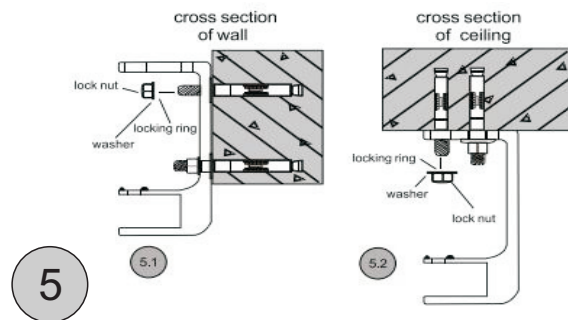
Step 5: Fixing the brackets

Place the bracket on the screw protruding from the wall. Then add flat washer and spring washer and fix the bracket with lock nuts. Tighten them well.

It is also possible to fix the awning under a concrete ceiling with bracket B1. If you want to fix the awning under a concrete ceiling you must consult a professional expert for this kind of mounting.

Figure 5:

Bracket can be prepared fixed on a wall(5.1) or Ceiling(5.2). Chose the whole you need to fix them according to drawing.





Firmly tighten the bolts with a S17 wrench: use an angulated ring spanner or better a socket wrench with proper socket. Open-ended spanners or fork wrenches should not be used, because of possible danger of slipping or damage of the nuts.



As soon as they are fully inserted, the brackets must sit firmly in the wall. If they are still moving in any form, you must further tighten it.



Do not try to secure the wall brackets to loose wall stones or any surfaces that are not absolutely firm connected to brickwork.



Make sure that brackets have been attached to wall firmly, so that they cannot be pulled out when hanging on the awning.

Step 6: Install awning

After all brackets have been mounted properly you can fix the awning. At least three ladders or treads are required to install the awning in order to obtain the required height. Ensure that the ladders/treads are firmly resting on the ground so that you cannot fall. Only use ladders/treads that are suitable for such assembly work.

Insert the awning into brackets as shown in drawing below. Then immediately secure it with delivered bolts to the brackets. Tighten the nut of the bolt firmly.

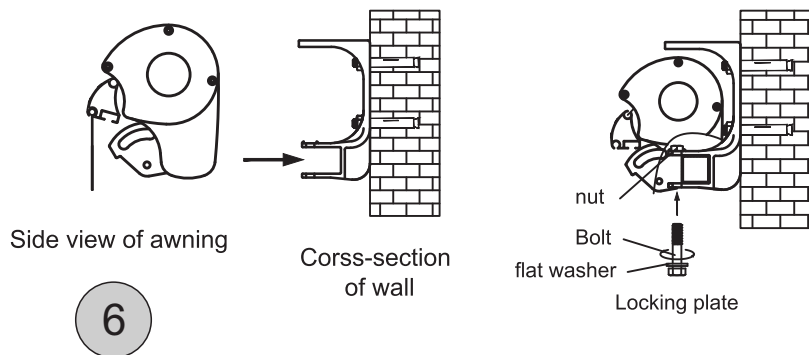


Figure 6:

Insert awning to brackets as shown in Figure. Fix the awning with delivered bolts, flat washers and nuts and tighten it properly.



In case the square tube cannot be inserted into the wall brackets, slightly loosen the nuts of the heavy duty anchor for one bracket and then try it once again. This time, move the awning slightly forward and backwards until the bearing tube slips into the brackets. Then immediately tighten the nuts of the heavy duty anchors by using a S17 wrench.

Attention: You have to tighten the nuts at the brackets after awning as been installed to brackets.



Remove the safety belt after mounting, otherwise the awning cannot be extracted. Keep the belt; you can use it when storing the awning.



Attention: Misplacing and misapplying the awning can cause seriously danger. Only mount the awning yourself when you understand the mounting instructions completely and when you are sure that the wall you want to mount the awning on is suitable. For your own and the safety of other people please contact an authorized assembler for help.

Power connection

First of all, make sure you buy the ordinary motor operated awning (only with power cord), follow below instruction to connect the product to the mains supply.

After the awning being mounted on the selected wall, connect the supply conductors to the supply mains in a proper means.

Figure 7:

1. Waterproof switch must be installed in more than 1.5m height of the wall.

2. Please contact the supplier if you want to change the power cord.

Installation instructions indicate type of driven part for which drive is intended to be used

Installation instructions indicate the driving part type, drive is used

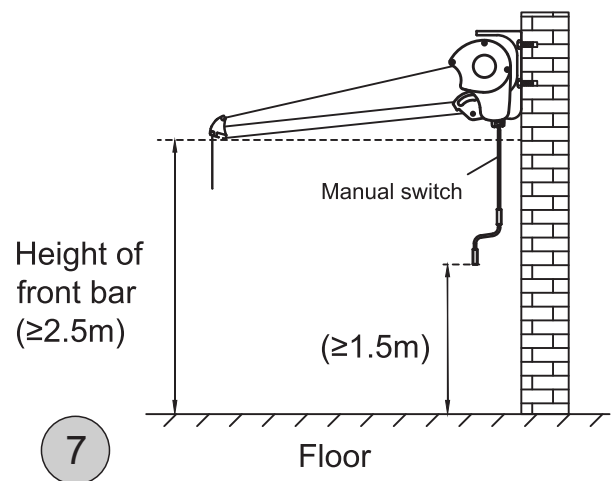
They specify mechanical parts necessary to couple drive to driven part

Mechanical parts of their designated need several drive part

Stationary appliances not fitted with means for disconnection from the supply mains having a contact separation in all poles that provide full disconnection under overvoltage category III, the instructions state that means for disconnection must be incorporated in the fixed wiring in accordance with the wiring rules

The fixing device is not equipped with a power supply, to provide full disconnection overvoltage category III in all state has a contact separation disconnecting device, indicating, for fixed wiring company disconnections must be with the wiring rules

Instructions for fixed appliances stating how the appliance is to be fixed





The awning must connect to a switch with protection degree of at least IP44, otherwise electric shock hazard may be caused.



An incorrect connection may cause serious damage to the control unit and motor.



Please check if all connections are correct before electrifying or operating the system.

Usage

The awning is operated by using the switch.

Adjusting Tilt Angle

The awning is already delivered with an optimally adjusted tilt angle. However, users can adjust the screen angle within a range of 14° to 50°. A tilt angle smaller than 14° is not allowed – although the construction of the adjustment mechanisms would allow having a smaller angle.



Once the adjustment screw reaches its end position you may not turn it further. Do not force it! Disobeying this instruction can lead to damage on the awning that can cause hazard and void the warranty!

Extend the awning no more than 1/4 of its full projection before adjusting.

Figure 8:

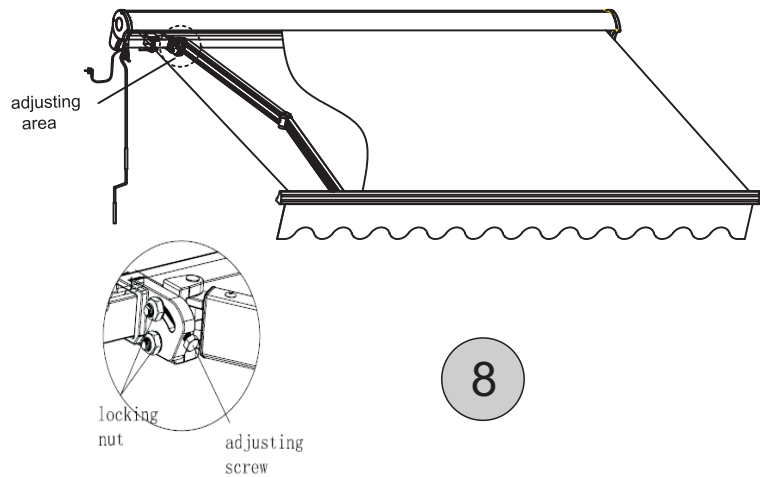
Users may adjust the screen angle within a range of 14° to 50°.

Loosen the safety nuts with a S17 wrench.

Turn the adjusting screw clockwise to decrease the tilt angle; turn counter-clockwise to increase the tilt angle.

When achieved to the desired tilt angle, tighten the safety nuts.

Manual operate handle crank to retract or extend the valance



Follow the same procedure until all arms have been adjusted to the desired level.



The front bar must always be level. To ensure that both sides are completely level, a built-in level is located on the front bar: the air bubble must be exactly in the middle of the level.



Always remove the crank handle when awning is not used and keep it in a safe and dry place

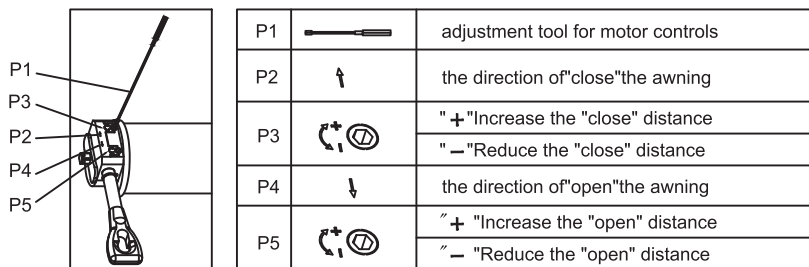
Adjustment of motor stop limits

The stop limits of the motor are pre-set in the factory, so the awning can be used without adjustment before use; however, the user can adjust the stop limits with the help of expertise or qualified person.

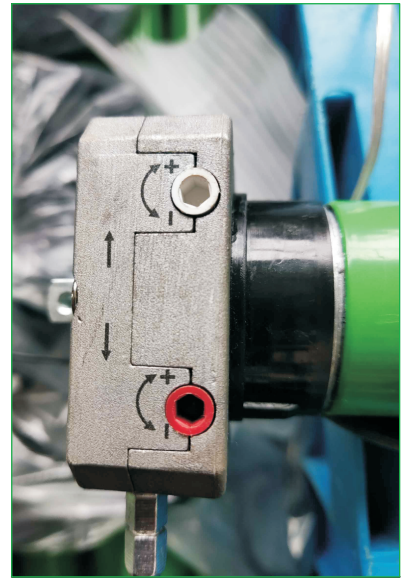
In case of the following conditions, the motor needs limited adjustment:

- 1 The awning can not close completely.
- 2 The cover is loose.
- 3 The motor does not stop automatically, while the awning is completely closed.

Figure 9:



9



- If the motor does not work after several times of adjustment, please wait 30 minutes to restart.
- The motor must not be overloaded or used too frequently, so as to prolong its service performance.
- During delivery, storage and adjustment work the motor should be protected from any contact with water.

Handing of the remote control

Note: There are legal limitations for the transmission range of radio waves. The maximum range is also limited by physical obstacles.

Before installing, check whether the remote device and the awning are working correctly,

Before you install the hooks To allow reaching almost every vertical area below.

Make sure that the mount is in a place to install the corresponding prescribed protection (IP 20) of the remote.

Do not mount on metal or magnetic objects to avoid interference.

Battery/Use

NOTE: When you insert the battery make sure that the contacts are not bent.

Open the battery compartment with the spanner in the battery compartment lid in the direction of the battery compartment and press the battery compartment cover, then the battery compartment slides.

Put the battery in accordance with polarity and labeling in the battery.

Close the battery compartment, by clicking the two extensions of the battery compartment lid in the two cutouts on the battery compartment.

Then press the skewer of the battery compartment lid into the hole at the battery compartment. The battery compartment cover snaps in with a click.

If the remote control could not function, then check whether the batteries are inserted correctly and put them again if necessary.

If all above option was conducted and the remote control still no function, please reset the remote. as following steps.

Extend and retract the awning/Remote control use

The awning can be extended and retracted by a remote control included in delivery.

Figure 10:

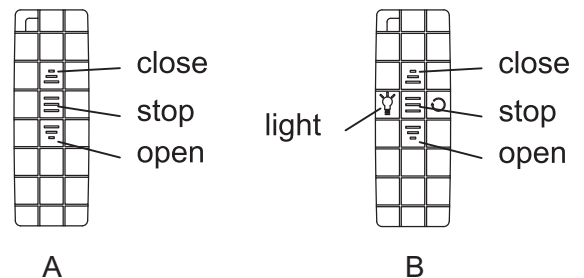
Press the extension button "EXT" for the awning extension. The role moves up and the awning will be closed.

Press the retract button "RET" to close the awning. The role moves down and the awning will be opened.

Press the stop button "STOP" to stop the extension/ retraction of the awning.

Press the lamp button "LED" to turn on/off the LED light of the awning.

Remote control



10

Solution for resetting remote control

Figure 11:

The 1st method

11

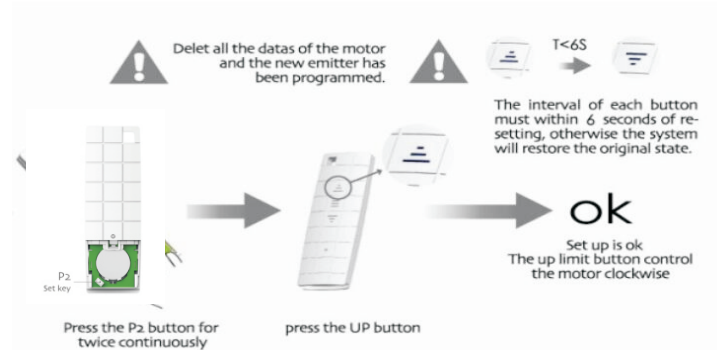
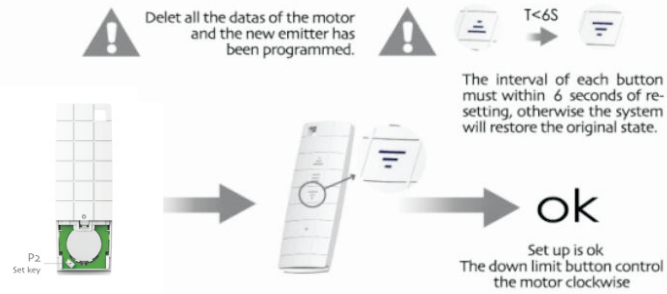


Figure 12:

The 2nd method

12



Maintenance

Regular maintenance will not only help to keep a long durability but is also important for your own and the safety of other people.

- ◆ Examine regularly if wall brackets are tight, fasten them if loose or lax.
- ◆ Examine the bolts and nuts once in half a year, fasten them if loose or lax.
- ◆ Stop using the awning immediately if it has been damaged or it is not tighten properly.

Please contact an authorized service centre for repair and if you have any further questions.

Normally it is not necessary to lubricate moving parts of the awning. However, if it will be come necessary on day, e. g. because of abnormal noise or because extracting is difficult, do only use lubricants that can be used for plastic materials, do not use lubricants that are based on petroleum.

Use a straw attached to the spray nozzle. Lubricate generously the area between the end of the roller tube and the end bracket (pivot pin). Take care not to overspray on the fabric material.

Cleaning

Frame: Over time, dust and dirt will collect on the frame and will require periodic cleaning to maintain its appearance.

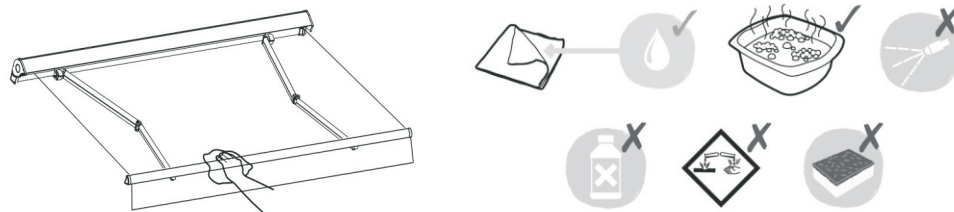
A mild spray cleaner or water/detergent mixture may be applied to the frame to clean it. Wipe dust off with a damp cloth. Do not use aggressive detergents e. g. to clean oil residues.

Fabric: Clean the fabric every six months.

Only use natural soap, never use chemical detergents. Water should be cold to lukewarm. Let the fabric dry completely. Do not use heating appliances e. g. hairdryer for drying.

Figure 13:

13



Dismounting

When you don't want to use the awning anymore or if you want to dispose it one day you have to demount it.

Attention! At least three healthy adults are need for this step.

- ◆ Retract the awning completely before you begin with dismounting. Bind the arms of the awning together to avoid unintended unfolding. This might cause damage and injury. You can use the protection band that was fixed on the awning when purchasing it.
- ◆ Follow the mounting instructions in reversed order to dismount the awning.
- ◆ Make sure that drilling holes in the wall will be sealed professional.

Attention! Safety hints and instructions have to be followed for dismounting as well.

Storage

When you do not want to use the awning for a longer period of time it is recommended to take the awning out of the brackets and store it.

- ◆ Make sure that the fabric is dry completely before storing. Storing a wet fabric can cause spots and damage.
- ◆ Store the awning at a dry and safe place that is not reachable for children.

Disposal



Do not dispose this awning with other household wastes. To prevent possible harm to the environment or human health from uncontrolled waste disposal, recycle it responsibly to promote the sustainable reuse of material resources. To return your used device, please use the return and collection systems or contact the retailer where the product was purchased. They can take this product for environmental safe recycling. Dispose packing materials according to local guidelines.