

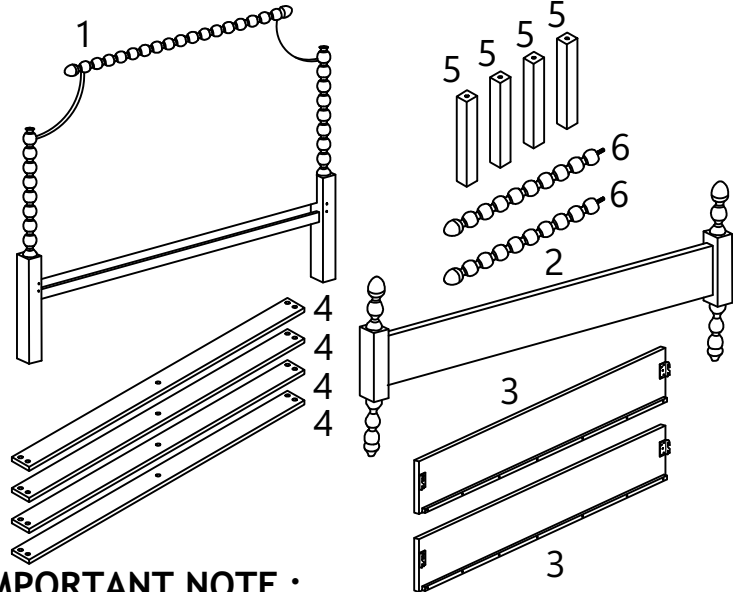
Assembly Instructions

TWIN BED / QUEEN BED / KING BED

.Thank you for purchasing this quality product. This product has been designed for easy assembly and constructed for durability. Please take the time to read and follow the assembly instructions carefully.

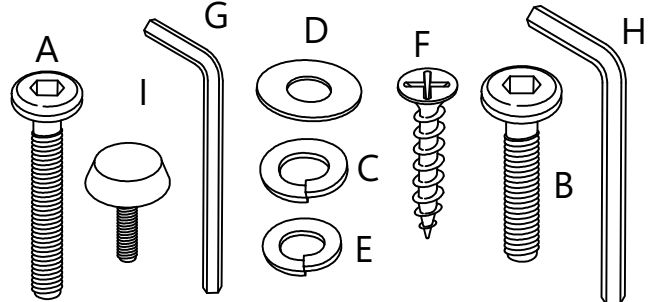
PARTS LIST :

1 HEADBOARD ASSEMBLY	1 PC.
2 FOOTBOARD ASSEMBLY	1 PC.
3 SIDE RAIL	2 PCS.
4 MATTRESS SLAT	4 PCS.
5 CENTER SUPPORT	4 PCS.
6 HEADBOARD REMOVABLE TOP POST	2 PCS.

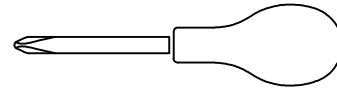


HARDWARE LIST :

A SMALL HEAD JCBC SCREW - M6 X 40MM	4 PCS.
B BIG HEAD JCBB SCREW - M8 X 20MM	8 PCS.
C BIG SPRING WASHER - 5/16"	8 PCS.
D FLAT WASHER 5/16	8 PCS.
E SMALL SPRING WASHER 1/4"	4 PCS.
F WOOD SCREW - M4 X 32MM	16 PCS.
G SMALL ALLEN KEY - M4	1 PC.
H BIG ALLEN KEY - M5	1 PC.
I ADJUSTABLE GLIDE	4 PCS.



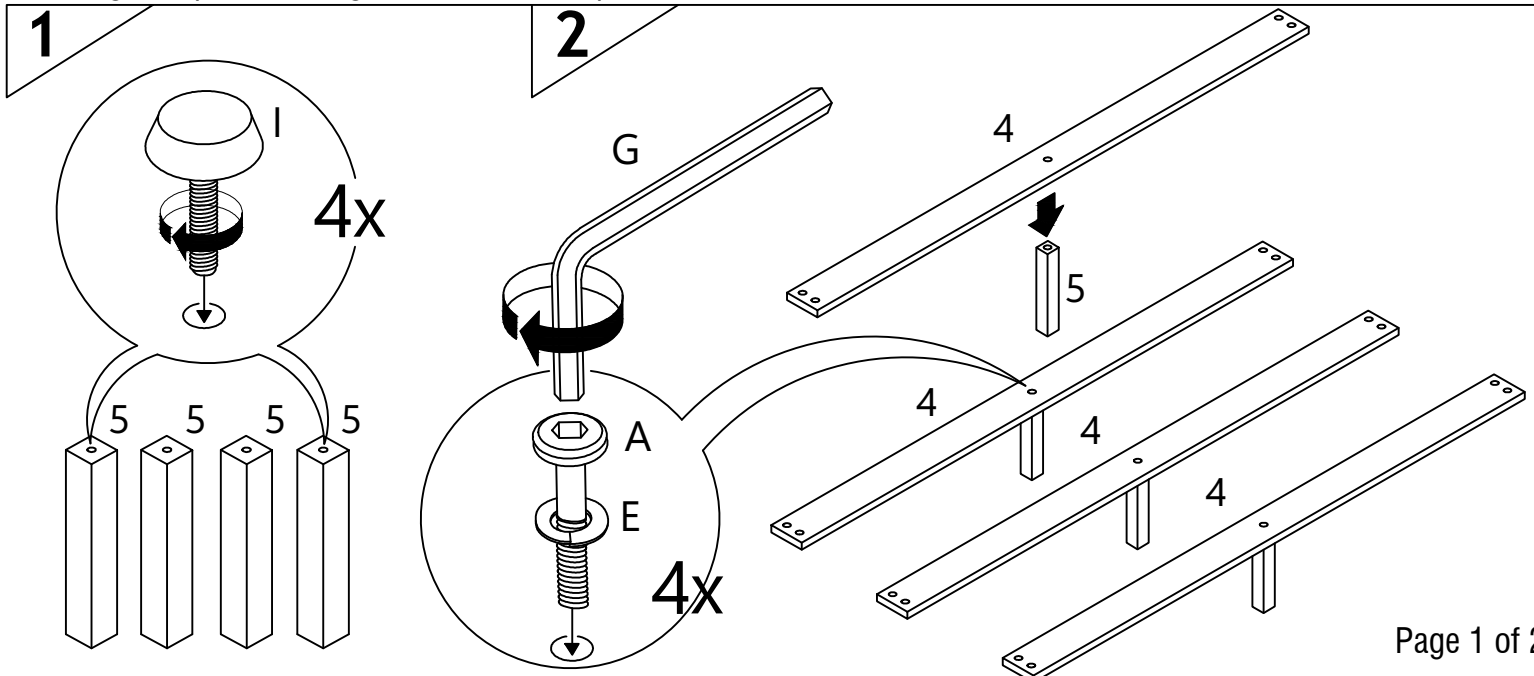
TOOLS REQUIRED (NOT INCLUDED) :



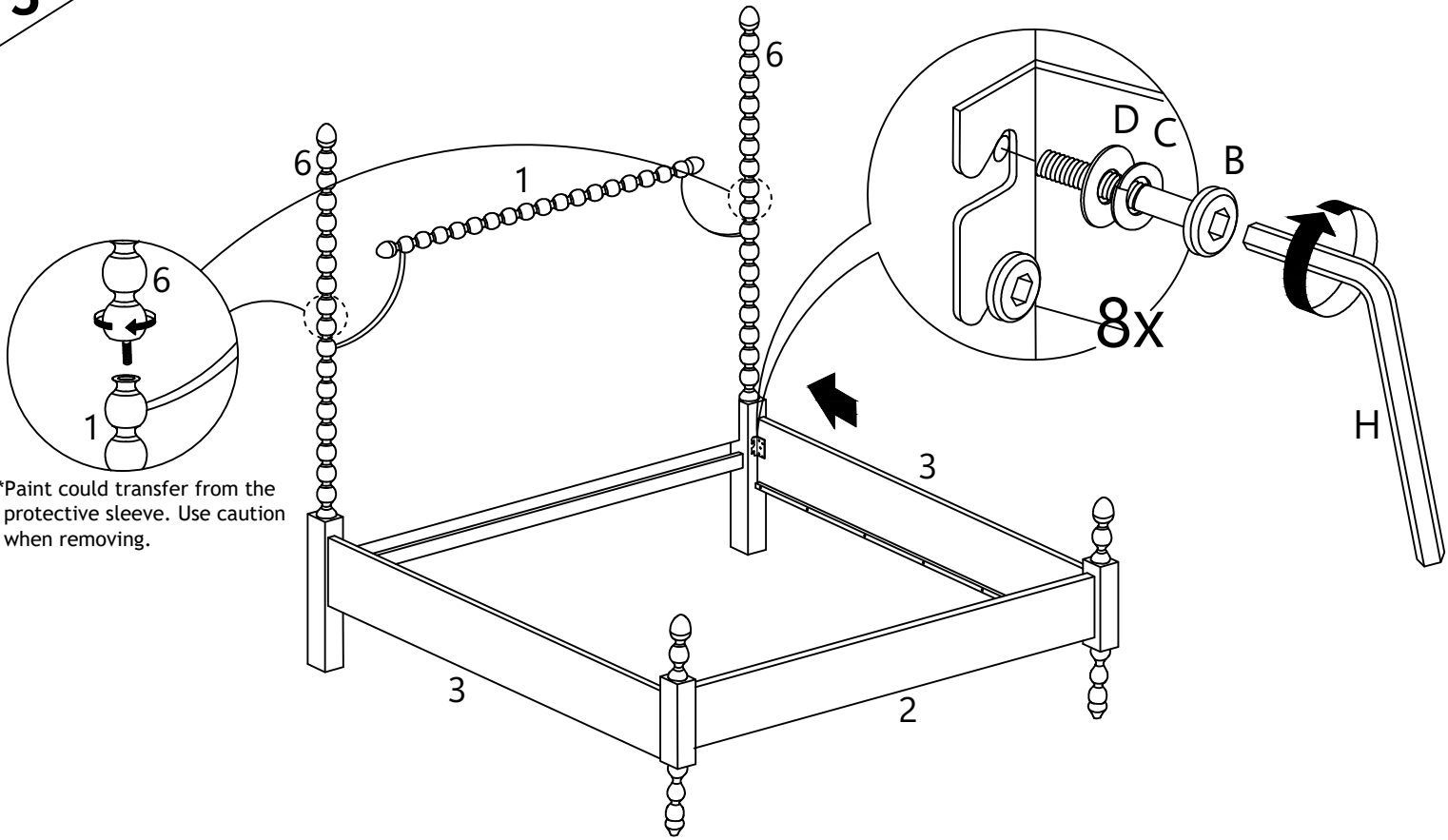
Philip Head Screw Driver

IMPORTANT NOTE :

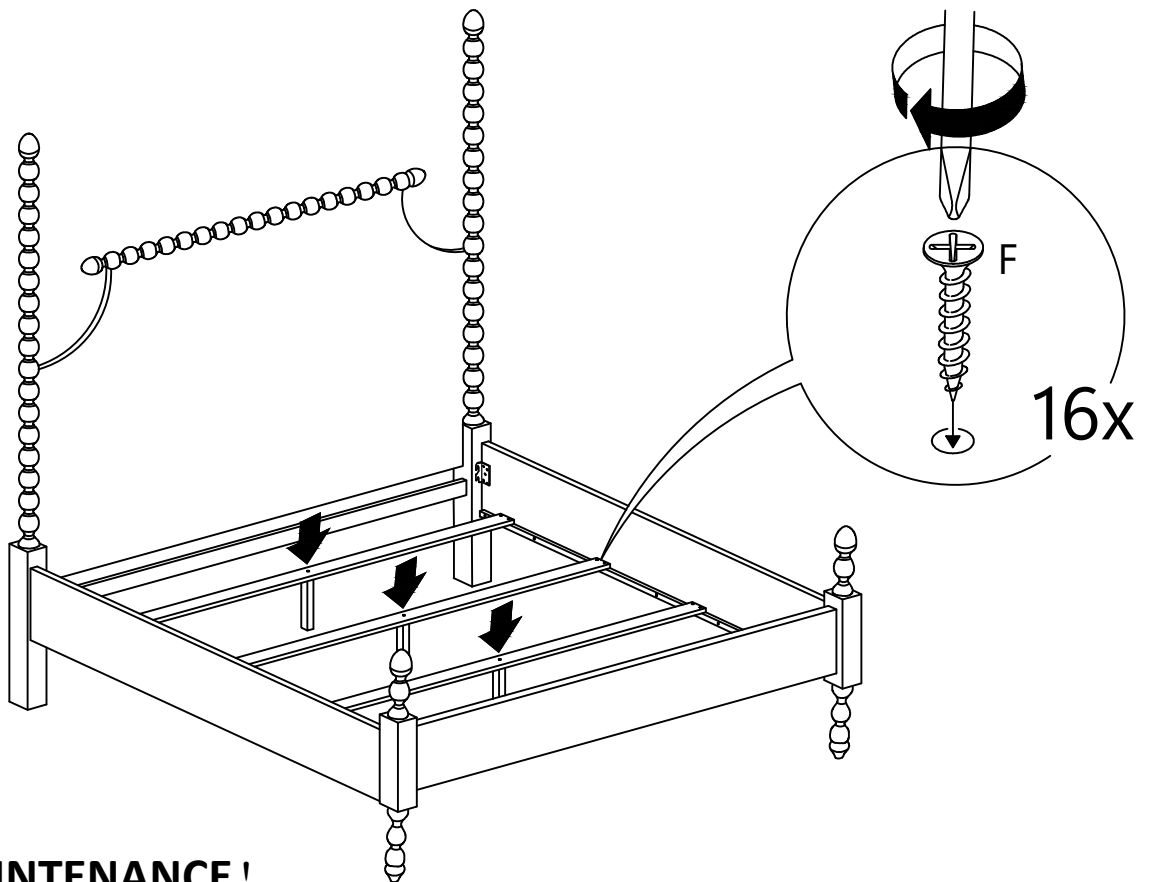
- Place all wooden parts on a clean and smooth surface such as a rug or carpet to avoid the parts from being scratched. Check to be sure that you have all parts and hardware. Remove all wrapping materials, including staples & packing straps before you start to assemble.
- Keep all hardware parts out of reach of children.
- **Do not tighten bolts/screws until all completely assembled.**
- Metal bracket is attached to back of headboard for stabilization.
- Unfinished areas on the bottom of the headboard, footboard, and side rails, are from stands that hold these pieces upright in the finishing process. This is standard and not a warranty issue.
- Screwing down the mattress support slats is **optional**.
- Warning: Bed posts are fragile- do not lean on posts.



3



4



CARE AND MAINTENANCE !

- The touch of a soft cloth is all the maintenance your wood pieces will ever need. Never use harsh chemicals or abrasive cleaners, as they could mark or destroy finish.