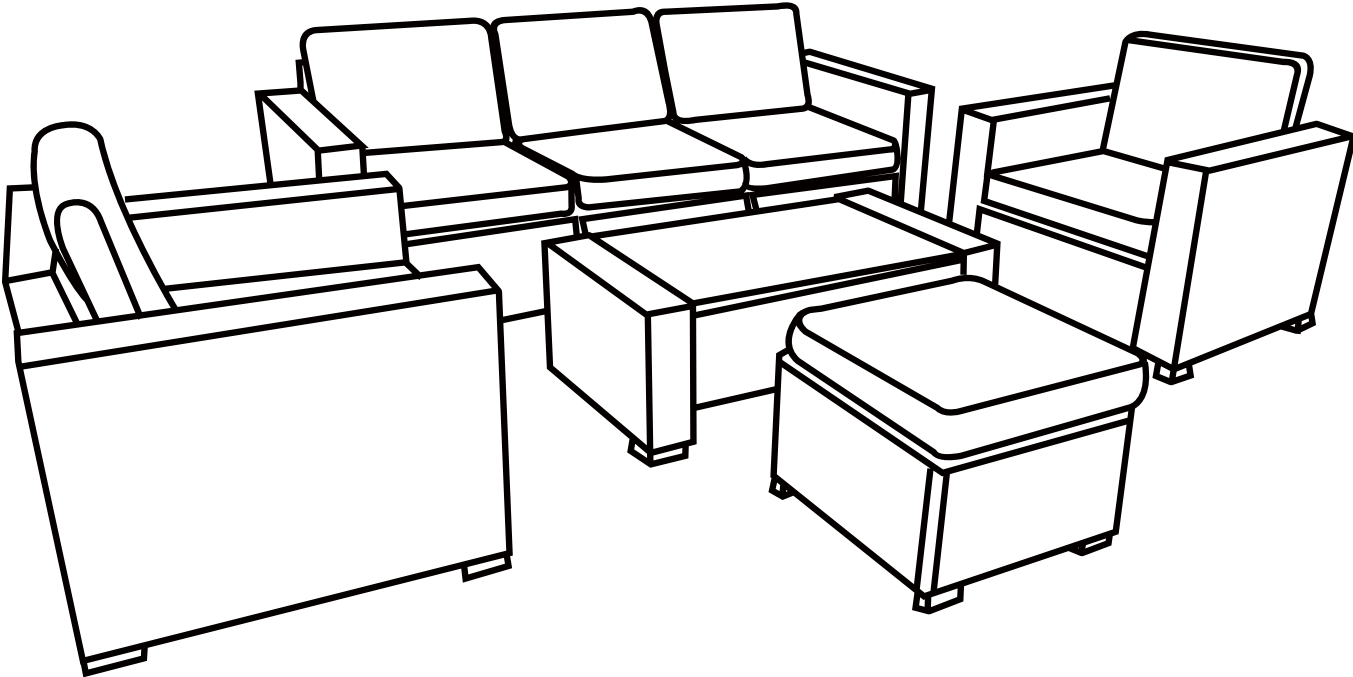
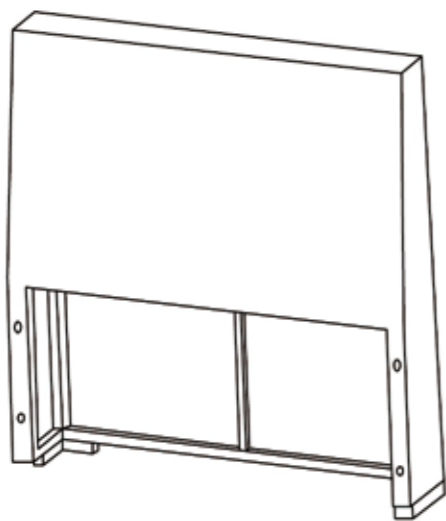


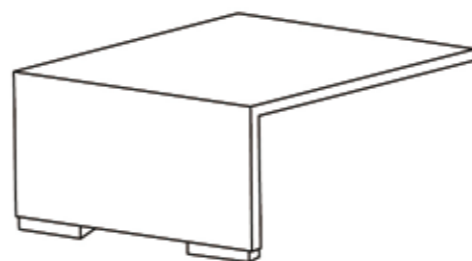
ASSEMBLY INSTRUCTIONS



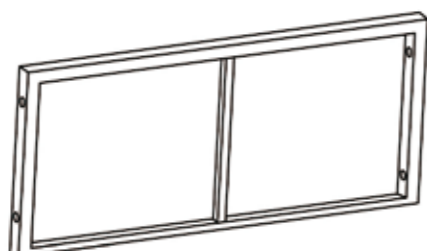
Parts List of Middle Sofa



G 1PC



H 1PC



I 2PCS



a Ø6

16 pcs+1pc



b M6*35mm

4 pcs+1pc



c M6*50mm

6 pcs+1pc



d M6

6 pcs+1pc



Allen Key

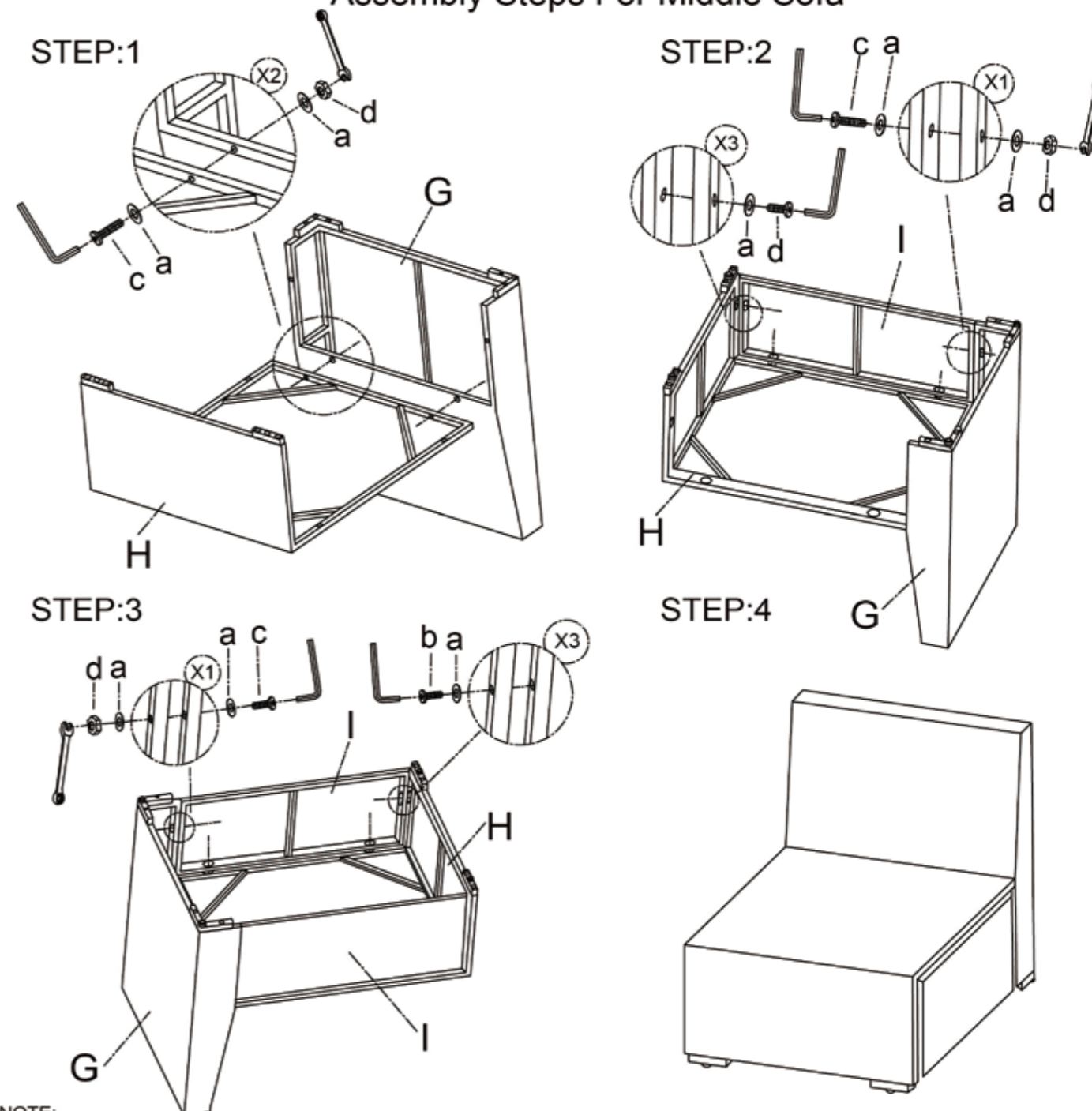
1pc



Spanner

1pc

Assembly Steps For Middle Sofa

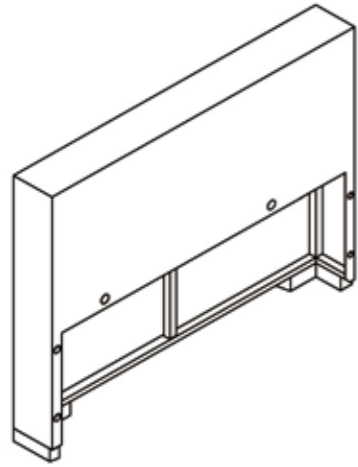


NOTE:

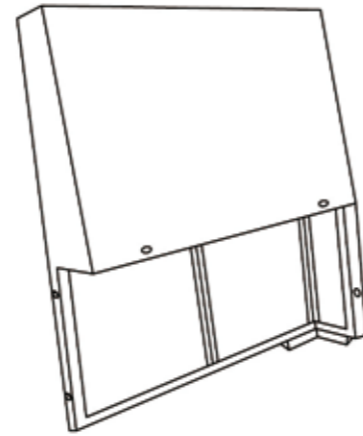
1. Please DO NOT fix screws tightly before all screws and holes connected.
2. Keeping all screws half-tightened will make assembling easier.
3. Please email us with pictures if you need any help during assembling.
4. Don't expose the cushions in the sun for a long period of time and cover the set or put cushions indoor when there is rain or snow expected for long periods of time.
5. Please don't discard packing boxes before all cushion chairs are assembled without first making sure there are no issues with assembly or parts.

We will ask for the SKU# on boxes if there are any issues reported so please keep that information and have it available. Thank you!

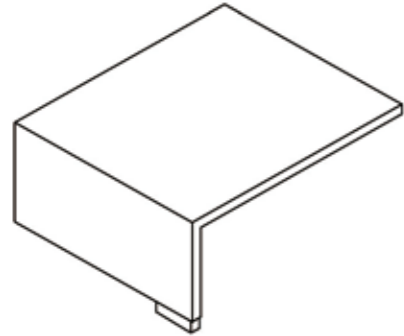
Parts List of Right-Hand Sofa



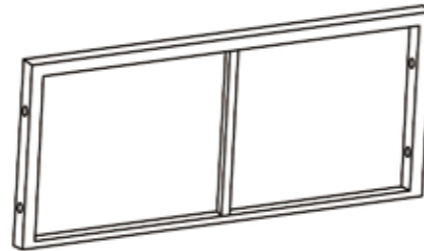
D 1PC



N 1PC



O 1PC



I 1PC



a Ø6
24pcs+1pc



b M6*35mm
2pcs+1pc



c M6*50mm
10pcs+1pc



d M6
10pcs+1pc



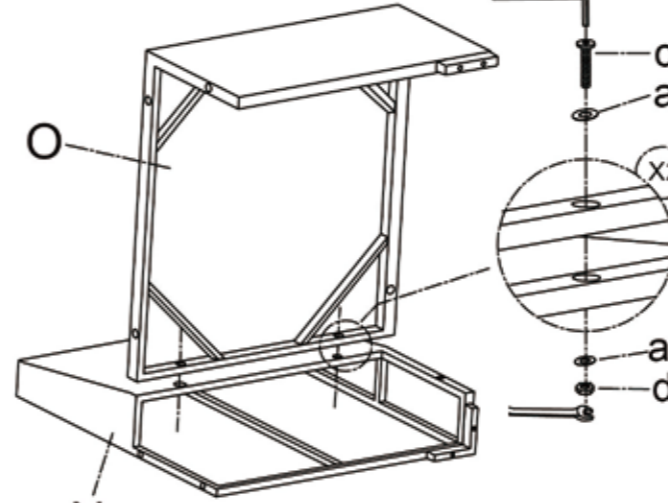
Allen Key
1pc



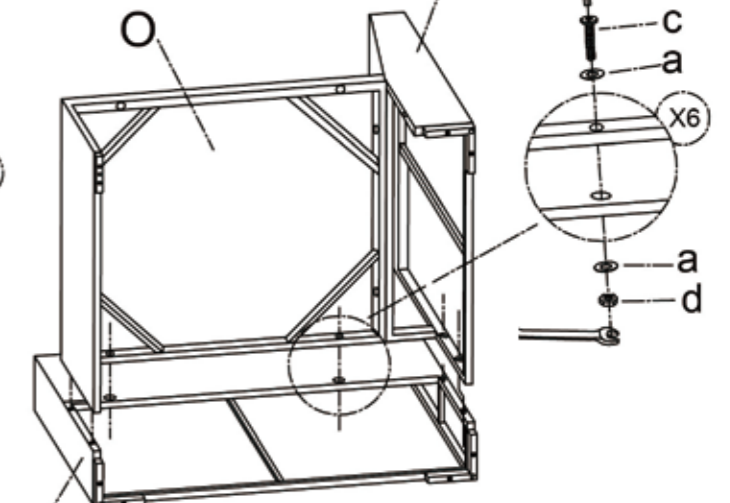
Spanner
1pc

Assembly Steps For Right-Hand Sofa

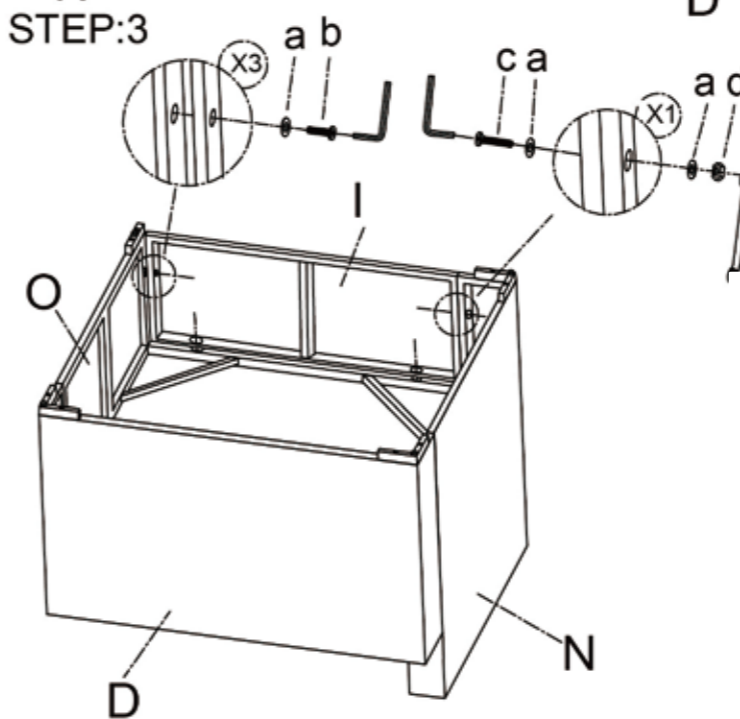
STEP:1



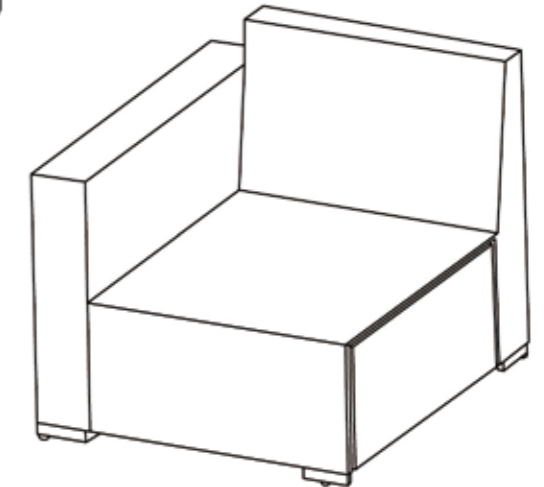
STEP:2



STEP:3



STEP:4

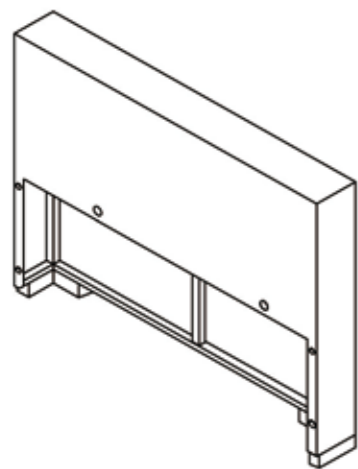


NOTE:

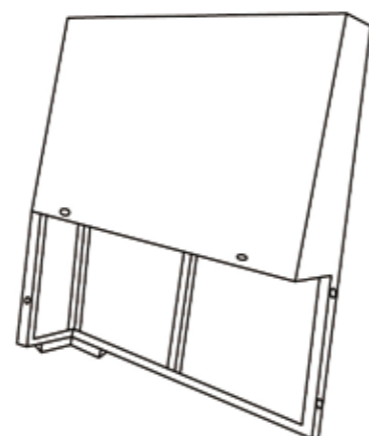
1. Please DO NOT fix screws tightly before all screws and holes connected.
2. Keeping all screws half-tightened will make assembling easier.
3. Please email us with pictures if you need any help during assembling.
4. Don't expose the cushions in the sun for a long period of time and cover the set or put cushions indoor when there is rain or snow expected for long periods of time.
5. Please don't discard packing boxes before all cushion chairs are assembled without first making sure there are no issues with assembly or parts.

We will ask for the SKU# on boxes if there are any issues reported so please keep that information and have it available. Thank you!

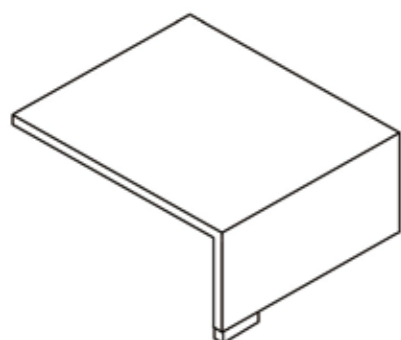
Parts List of Left-Hand Sofa



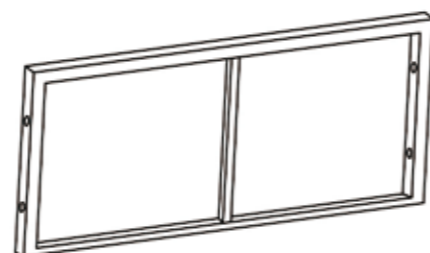
D 1PC



J 1PC



K 1PC



I 1PC



a Ø6
24pcs+1pc



b M6*35mm
2pcs+1pc



c M6*50mm
10pcs+1pc



d M6
10pcs+1pc



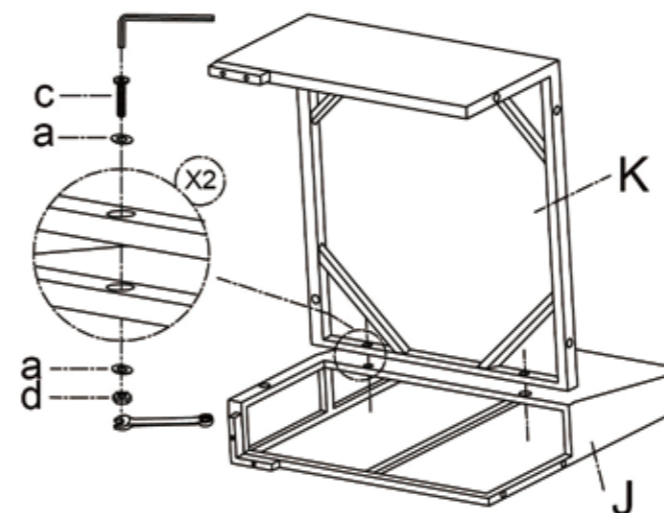
Allen Key
1pc



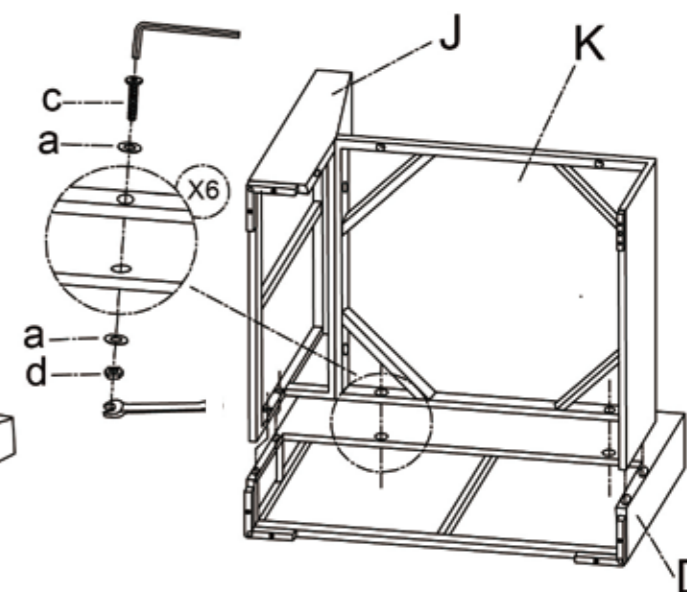
Spanner
1pc

Assembly Steps For Left-Hand Sofa

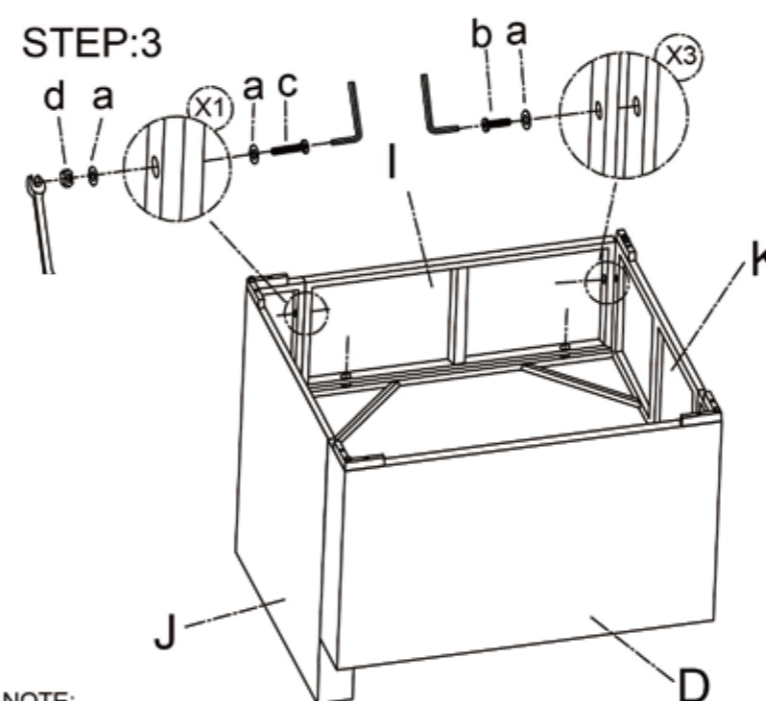
STEP:1



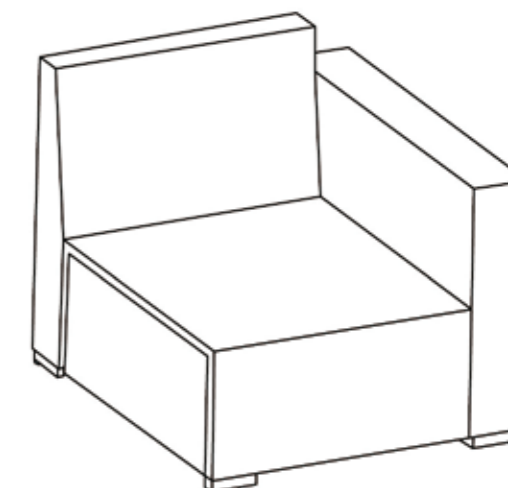
STEP:2



STEP:3



STEP:4

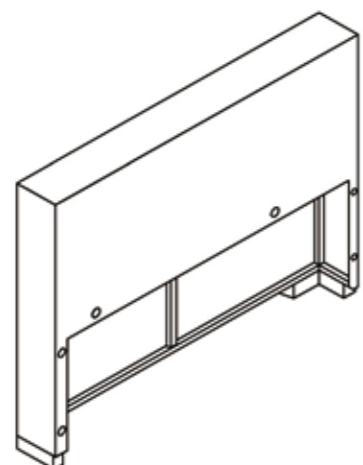


NOTE:

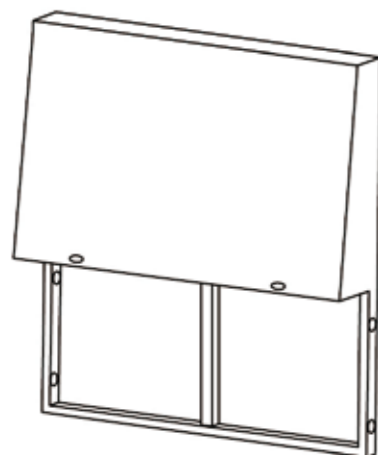
1. Please DO NOT fix screws tightly before all screws and holes connected.
2. Keeping all screws half-tightened will make assembling easier.
3. Please email us with pictures if you need any help during assembling.
4. Don't expose the cushions in the sun for a long period of time and cover the set or put cushions indoor when there is rain or snow expected for long periods of time.
5. Please don't discard packing boxes before all cushion chairs are assembled without first making sure there are no issues with assembly or parts.

We will ask for the SKU# on boxes if there are any issues reported so please keep that information and have it available. Thank you!

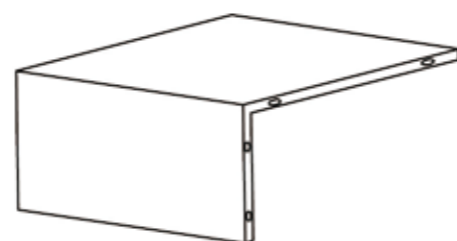
Parts List of Single Sofa



D 2PCS



E 1PC



F 1PC



a Ø6
28pcs+1pc



c M6*50mm
14pcs+1pc



d M6
14pcs+1pc



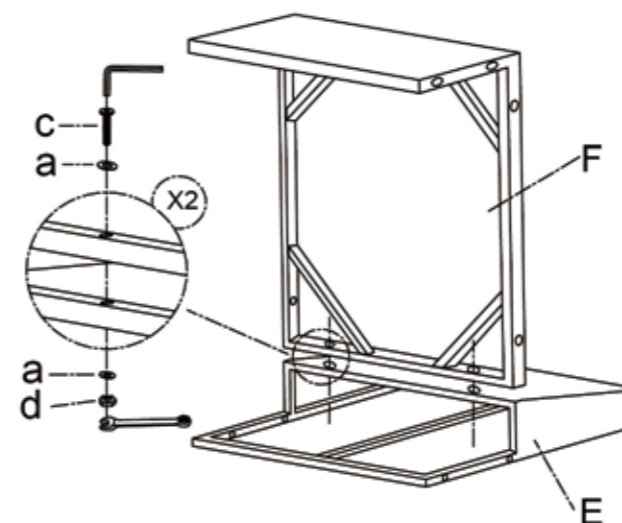
Allen Key
1pc



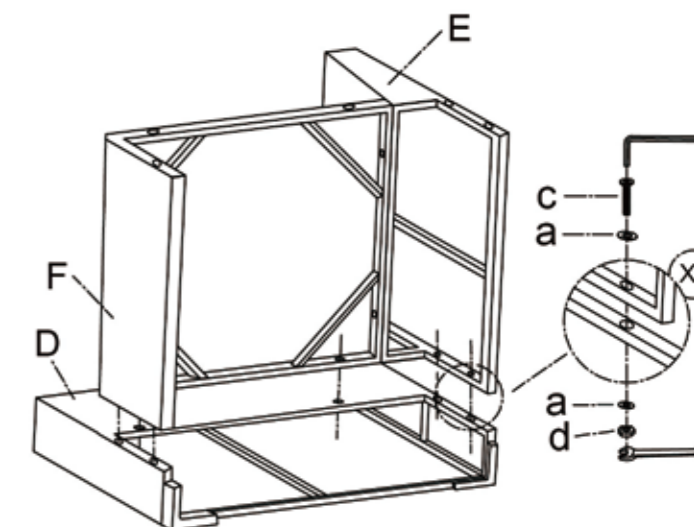
Spanner
1pc

Assembly Steps For Single Sofa

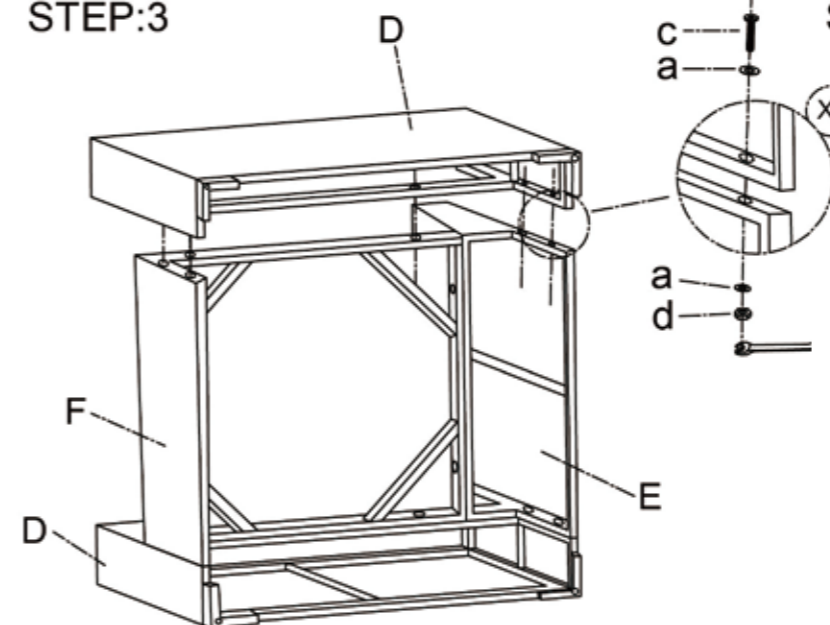
STEP:1



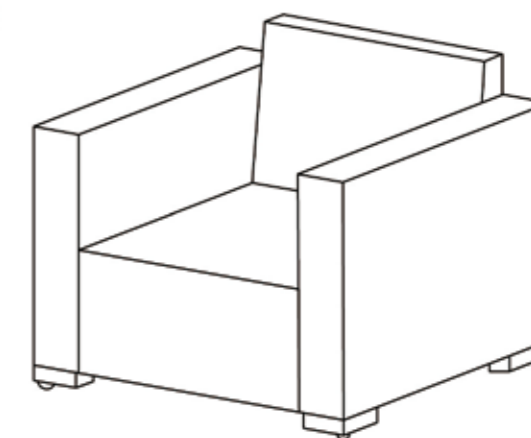
STEP:2



STEP:3



STEP:4

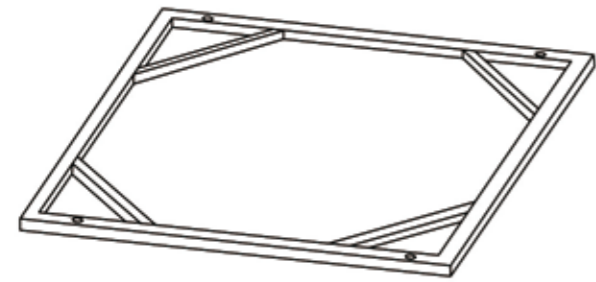


NOTE:

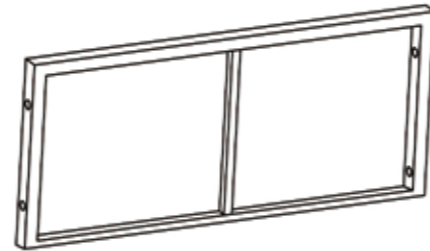
1. Please DO NOT fix screws tightly before all screws and holes connected.
2. Keeping all screws half-tightened will make assembling easier.
3. Please email us with pictures if you need any help during assembling.
4. Don't expose the cushions in the sun for a long period of time and cover the set or put cushions indoor when there is rain or snow expected for long periods of time.
5. Please don't discard packing boxes before all cushion chairs are assembled without first making sure there are no issues with assembly or parts.

We will ask for the SKU# on boxes if there are any issues reported so please keep that information and have it available. Thank you!

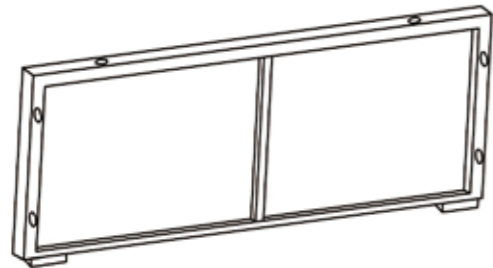
Parts List of Footrest



Q 1PC



R 2PCS



I 2PCS



a Ø6
12pcs+1pc

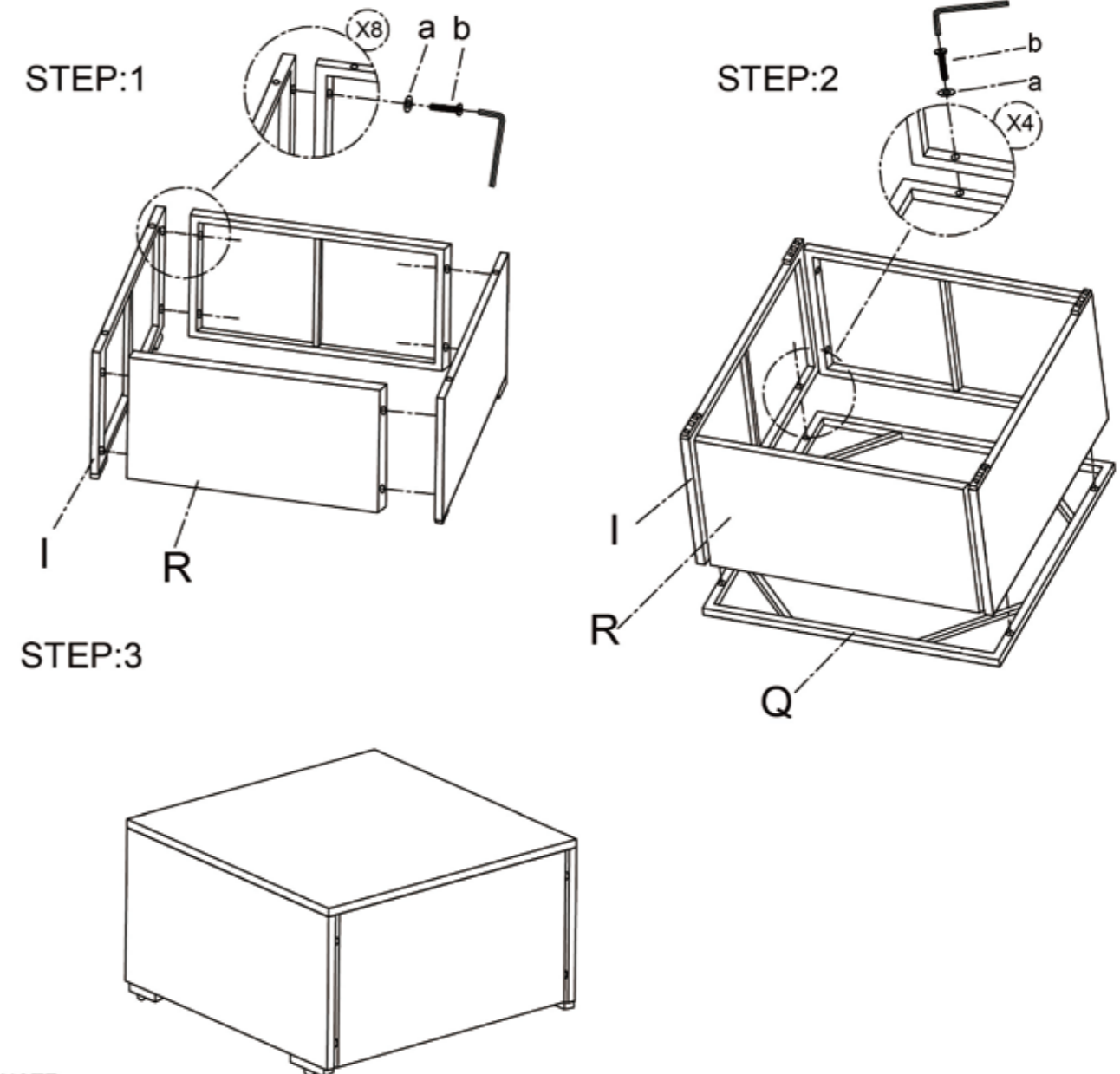


b M6*35mm
12pcs+1pc



Allen Key
1pc

Assembly Steps For Footrest

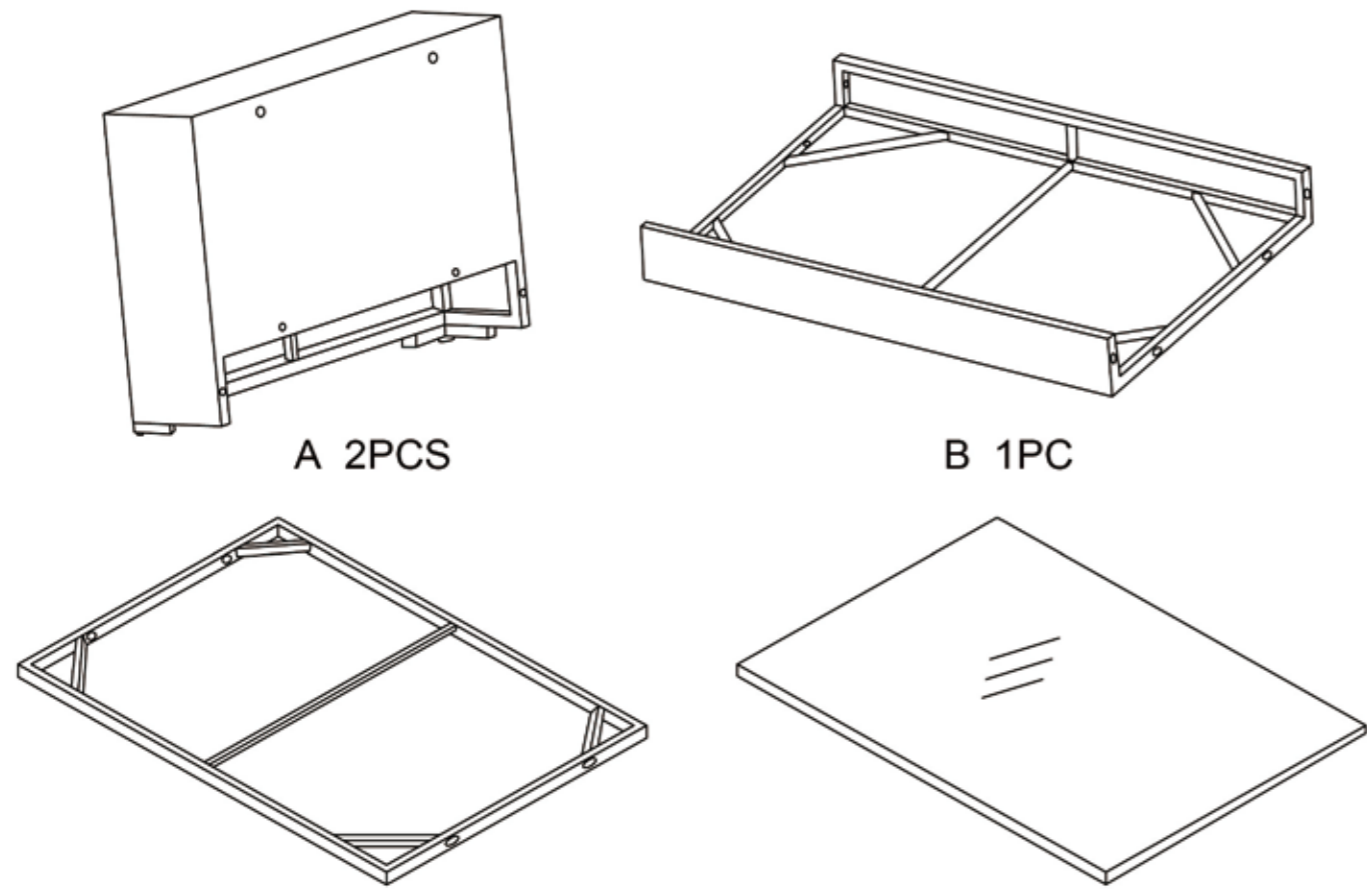


NOTE:

1. Please DO NOT fix screws tightly before all screws and holes connected.
2. Keeping all screws half-tightened will make assembling easier.
3. Please email us with pictures if you need any help during assembling.
4. Don't expose the cushions in the sun for a long period of time and cover the set or put cushions indoor when there is rain or snow expected for long periods of time.
5. Please don't discard packing boxes before all cushion chairs are assembled without first making sure there are no issues with assembly or parts.

We will ask for the SKU# on boxes if there are any issues reported so please keep that information and have it available. Thank you!

Parts List of Coffee Table



A 2PCS

B 1PC

C 1PC

Glass



a Ø6
20pcs+1pc



b M6*35mm
4pcs+1pc



c M6*50mm
8pcs+1pc



d M6
8pcs+1pc



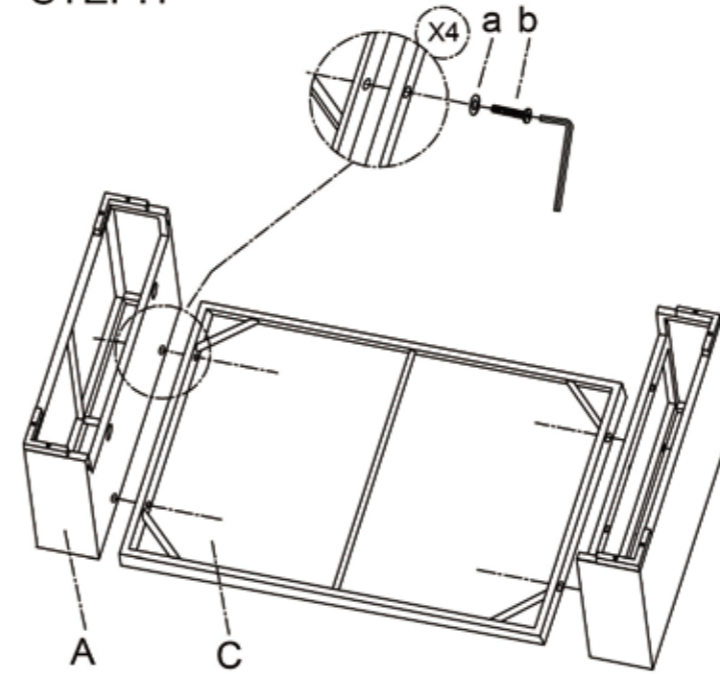
Allen Key
1pc



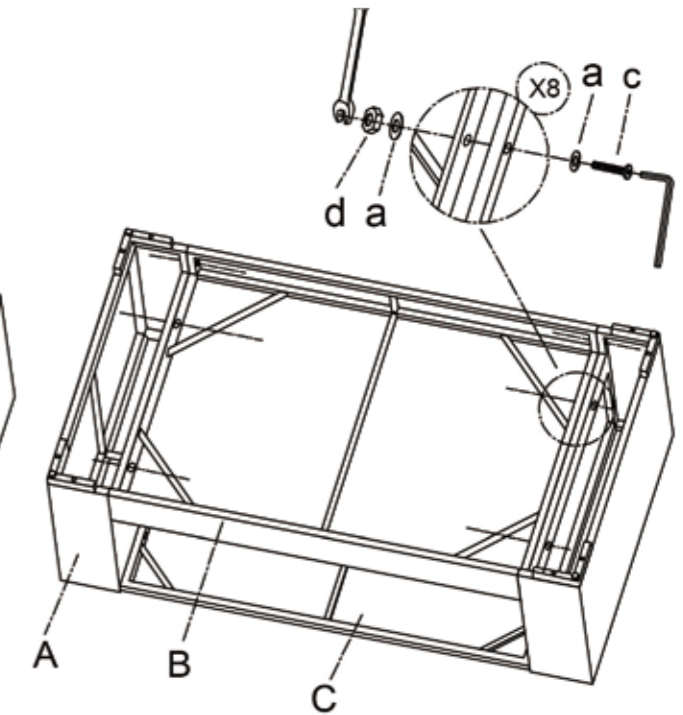
Spanner
1pc

Assembly Steps For Coffee Table

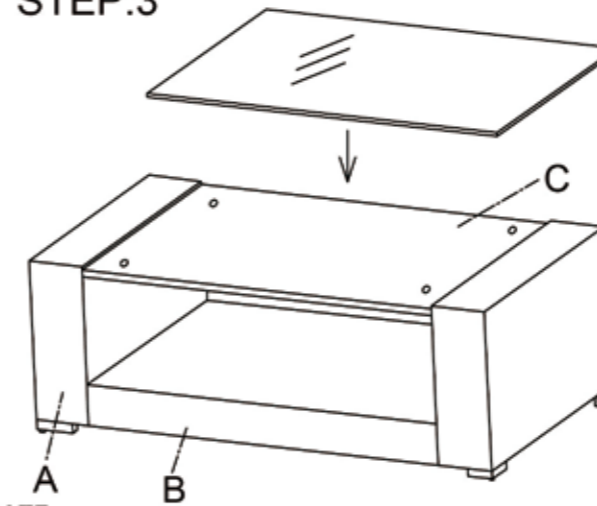
STEP:1



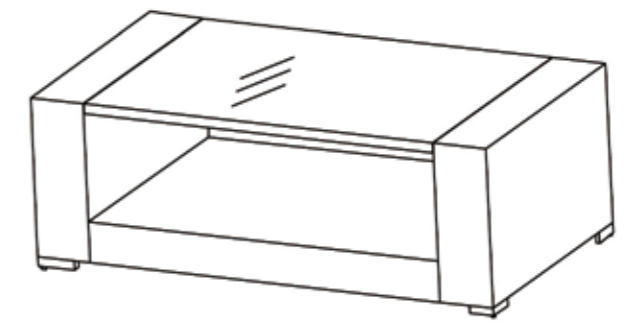
STEP:2



STEP:3



STEP:4



NOTE:

1. Please DO NOT fix screws tightly before all screws and holes connected.
2. Keeping all screws half-tightened will make assembling easier.
3. Please email us with pictures if you need any help during assembling.
4. Don't expose the cushions in the sun for a long period of time and cover the set or put cushions indoor when there is rain or snow expected for long periods of time.
5. Please don't discard packing boxes before all cushion chairs are assembled without first making sure there are no issues with assembly or parts.

We will ask for the SKU# on boxes if there are any issues reported so please keep that information and have it available. Thank you!