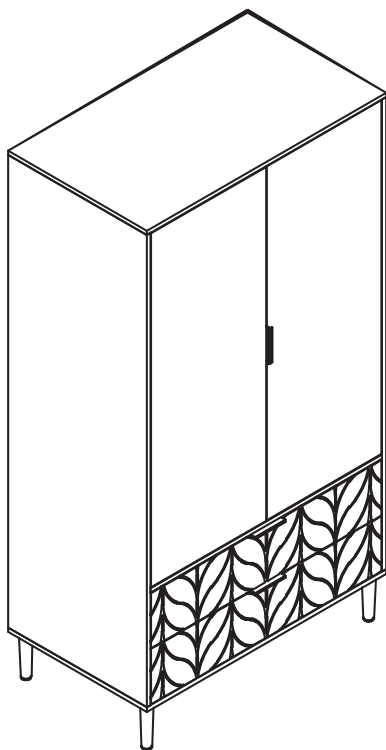


# Instruction manual

## Gloria Wardrobe

[www.laura-james.co.uk](http://www.laura-james.co.uk)





# CONTENTS

---

Safety and care advice	<b>1</b>
Components	<b>2</b>
Assembly instructions	<b>6</b>
Door alignment	<b>22</b>
Copyright	<b>23</b>

# ⚠️ SAFETY AND CARE ADVICE ⚠️

---

## PLEASE READ THESE INSTRUCTIONS CAREFULLY AND KEEP FOR FUTURE REFERENCE

- **Warning:** This unit weighs approximately 84kgs. Please lift with care.

- Check you have all the components and tools listed on pages 2, 3 and 4.

- Remove all fittings from the plastic bags and separate them into their groups.

- Keep children and animals away from the work area, small parts could choke if swallowed.

- Make sure you have enough space to lay out the parts before starting.

- Do not stand or put weight on the product, this could cause damage.

- Assemble the item as close to its final position (in the same room) as possible.

- Assemble on a soft level surface to avoid damaging the unit or your floor (use opened out unit carton).



- We do not recommend the use of power drill/drivers **for inserting screws**, as this could damage the unit. Only use hand screwdrivers.

- **Safety note:** If there is any chance of this unit being pulled over by children etc. it is recommended that the unit is secured to a wall using suitable fixings.

- Dispose of all packaging carefully and responsibly.

## CARE AND MAINTENANCE

---

- Only clean using a damp cloth and mild detergent, do not use bleach or abrasive cleaners.

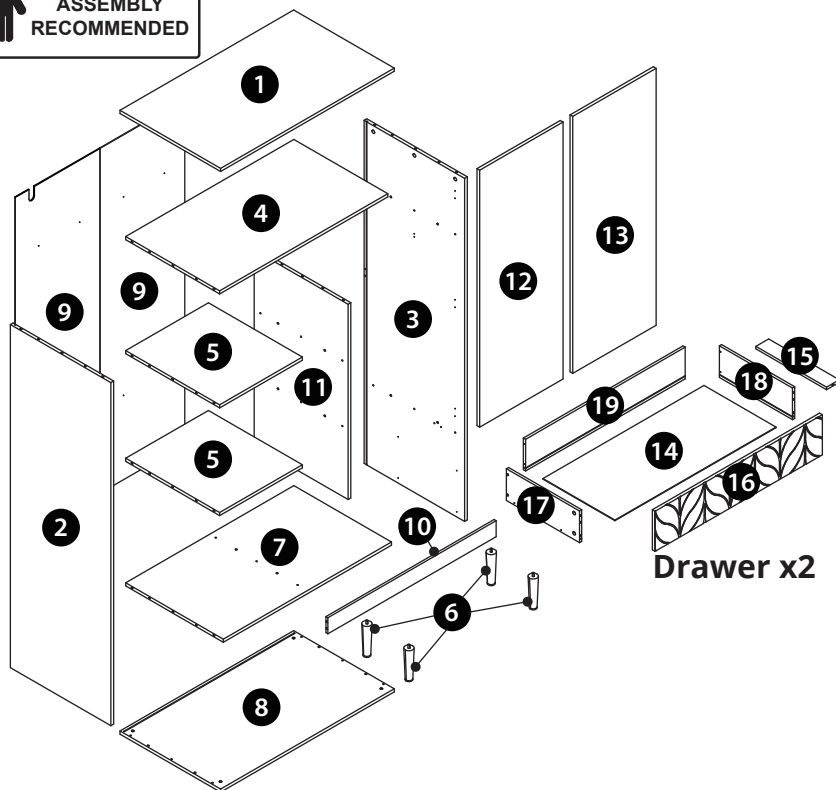
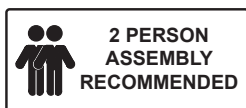
- From time to time check that there are no loose screws on this unit.

- This product should not be discarded with household waste. Take to your local authority waste disposal center.

**Note** *If required the next page can be cut out and used as reference throughout the assembly. Keep this page with these instructions for future reference.*

# COMPONENTS

Please check you have all the panels listed below:



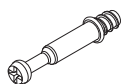
1	Top Panel	x1	11	Divider panel	x1
2	Left Side Panel	x1	12	Left door	x1
3	Right Side Panel	x1	13	Right door	x1
4	Horizontal Panel	x1	14	Drawer bottom panel	x2
5	Middle layer board	x2	15	Drawer bottom bar	x2
6	Leg	x4	16	Drawer face panel	x2
7	Horizontal panel	x1	17	Drawer left side panel	x2
8	Bottom Panel	x1	18	Drawer right side panel	x2
9	Back panel	x2	19	Drawer back panel	x2
10	Support bar	x1			



# COMPONENTS

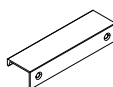
Please check you have all the fittings listed below:

**A**



Metal Dowel x 47

**G**



Handle x 4

**B**



Lock (Ø15x12mm) x 33

**H**



Screw(Ø3x12mm) x 12

**C**



Lock (Ø15x9.5mm) x 14

**I**



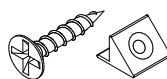
Pad x 1

**D**



Wooden Dowel(Ø8x30mm) x 32

**J**



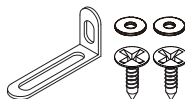
Back Support x 8

**E**



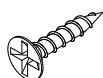
Screw(Ø4x35mm) x 19

**K**



L lock wall x 2

**F**



Screw(Ø3.5x12mm) x 16

**L**

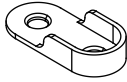


Big Bend Hinge x 6



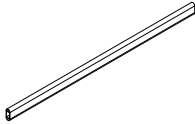
# COMPONENTS

M



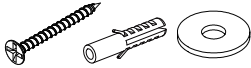
Rail bracket x 2

N



Clothes rail x 1

O



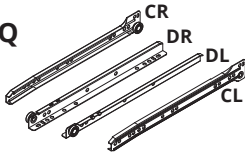
Wall plug x 2

P



Screw(Ø6x11mm) x 12

Q



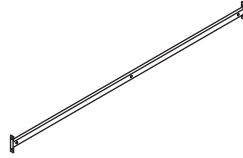
Drawer runner x 2

R



Screw(Ø3x14mm) x 8

S



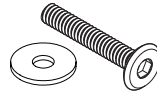
Support hardware x 1

T



Screw (Ø6x12mm) x 4

U



Screw (Ø6x35mm) x 3

V



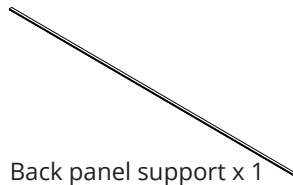
Allen wrench x 1

W



Screw(Ø3.5x14mm) x 12

X



Back panel support x 1

## TOOLS NEEDED

(We don't provide)



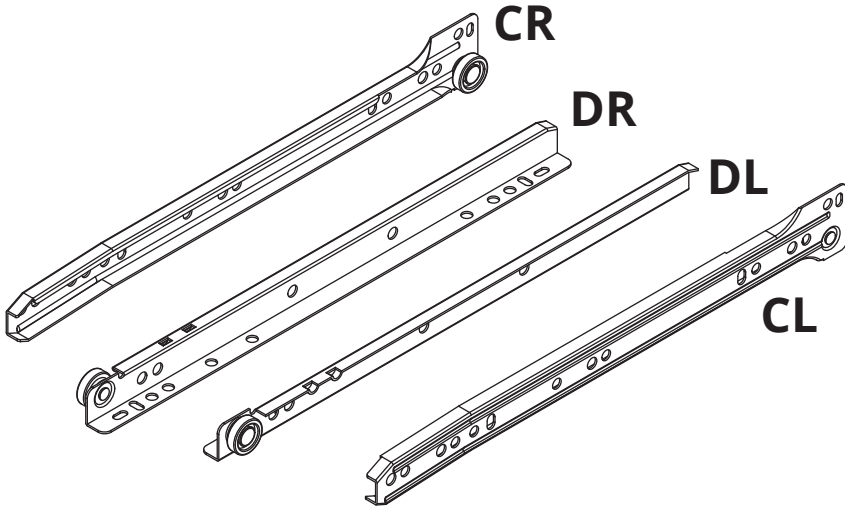
Phillips Screwdriver x 1



# DRAWER RUNNER INSTRUCTION

⚠ IMPORTANT - Please read carefully - 1 Pair of drawer runners includes 4 pieces.

Part **Q** includes **CR\DR\DL\CL**.


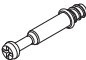






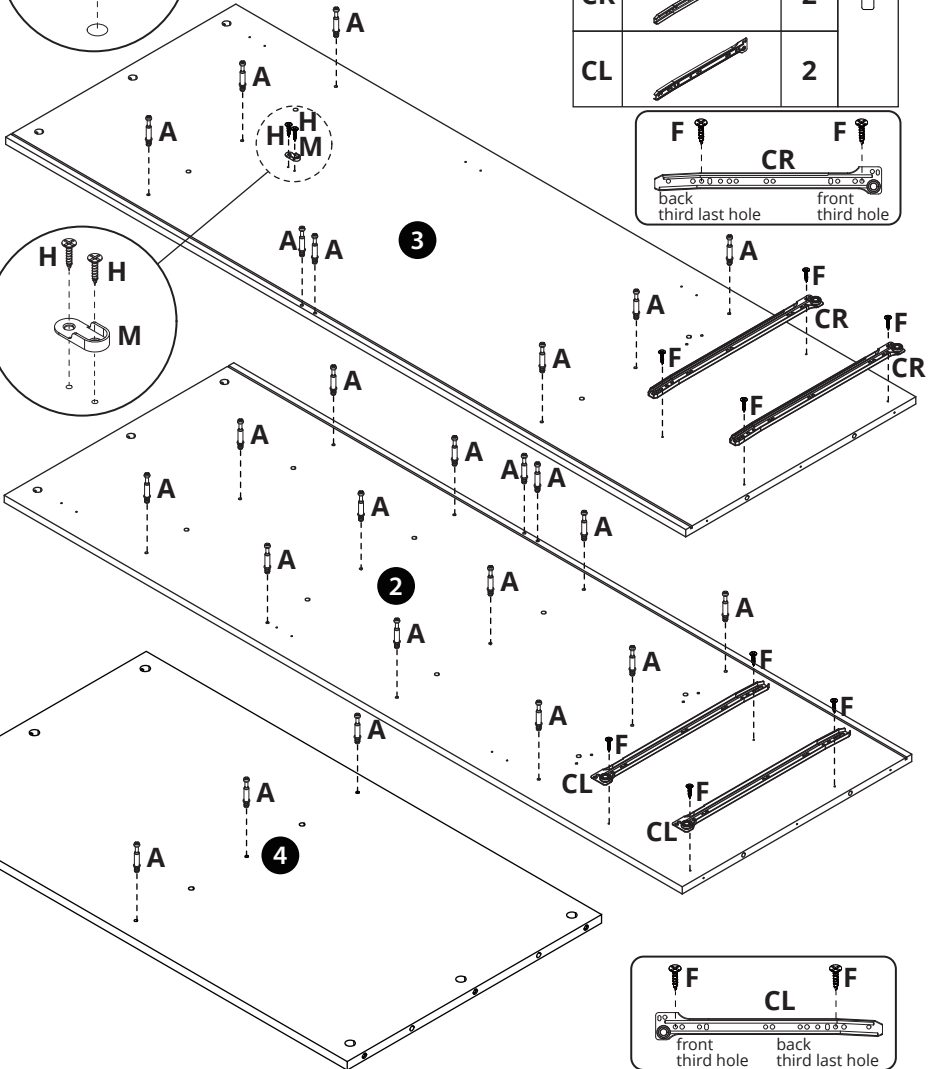
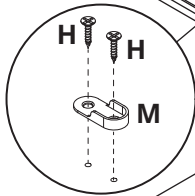
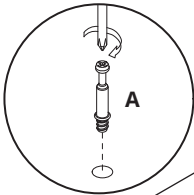
Fittings (not to scale)

No.	Description	Qty	
<b>CR</b>	Outer Drawer Runner - Right	2	
<b>CL</b>	Outer Drawer Runner - Left	2	
<b>DR</b>	Inner Drawer Runner - Right	2	
<b>DL</b>	Inner Drawer Runner - Left	2	

# ASSEMBLY INSTRUCTIONS

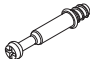


## Step 1

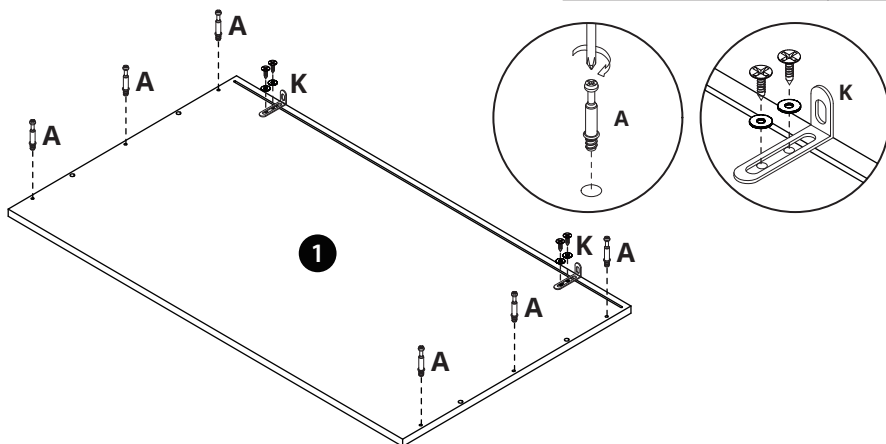
F		8	A		25
M		1	H		2
			CR		2
			CL		2



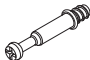



# ASSEMBLY INSTRUCTIONS

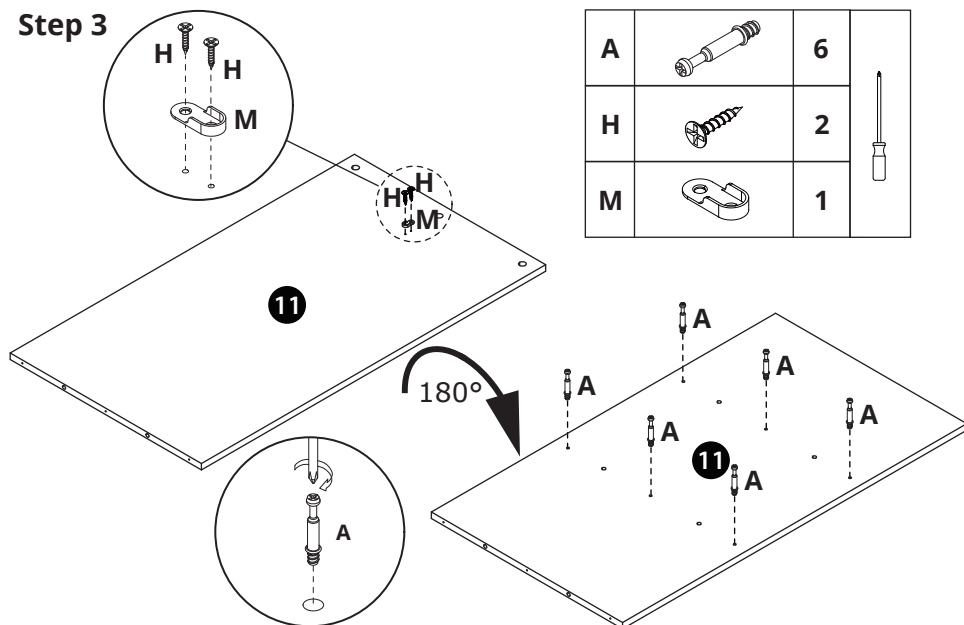
## Step 2

A		6	
K		2	





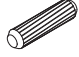
## Step 3

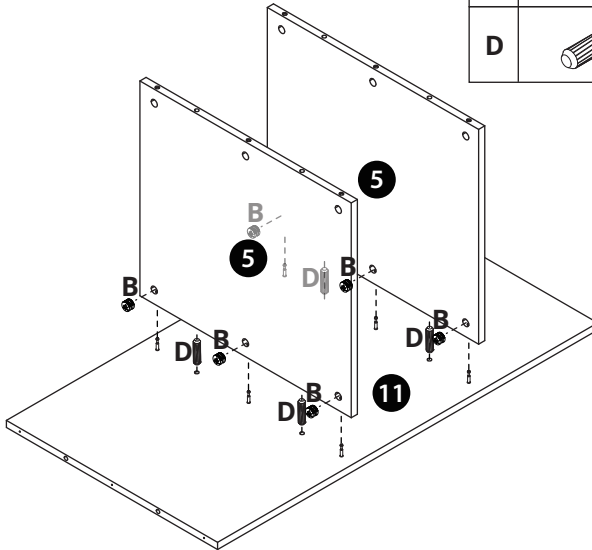
A		6	
H		2	
M		1	





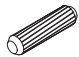

# ASSEMBLY INSTRUCTIONS

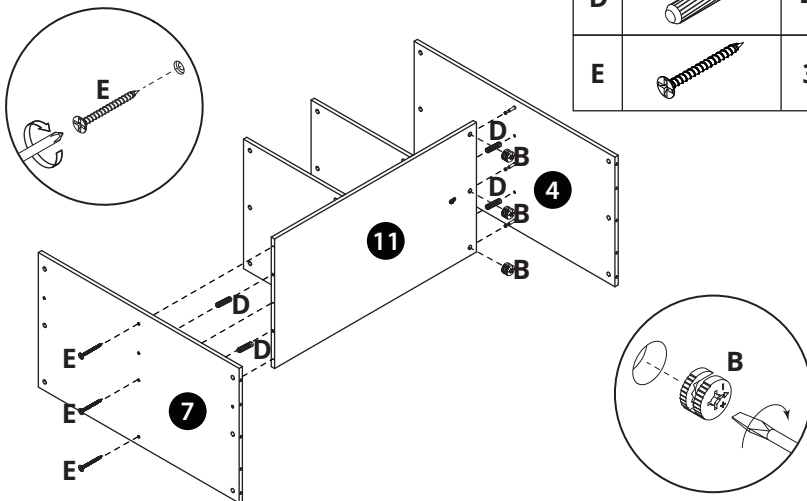
## Step 4

B		6	
D		4	




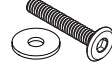



## Step 5

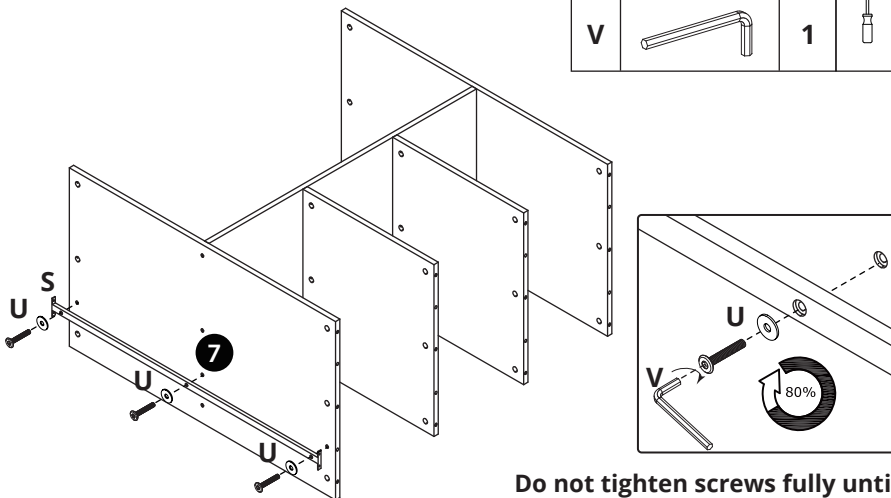
B		3	
D		4	
E		3	



# ASSEMBLY INSTRUCTIONS



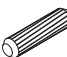
## Step 6

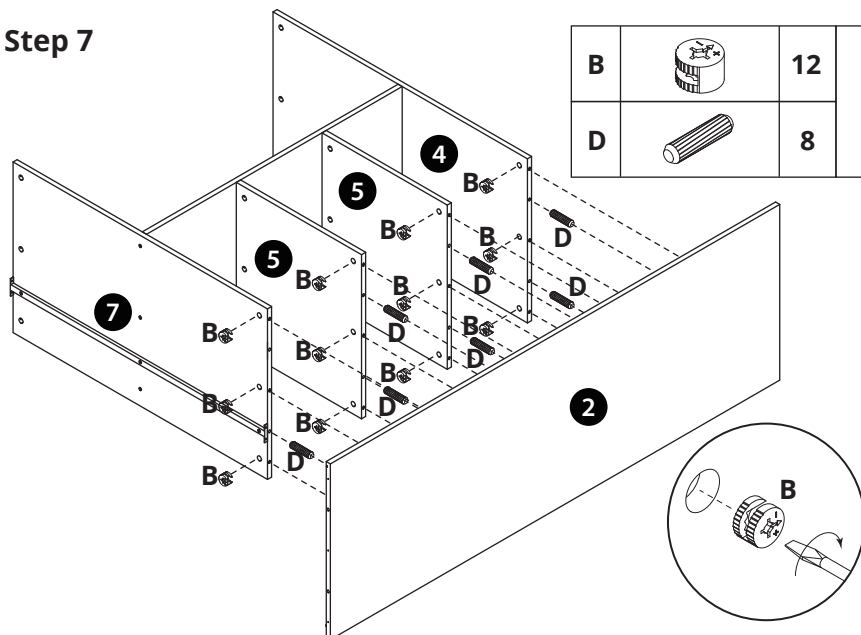
S		1	U		3	
V			V		1	



Do not tighten screws fully until all components are assembled.

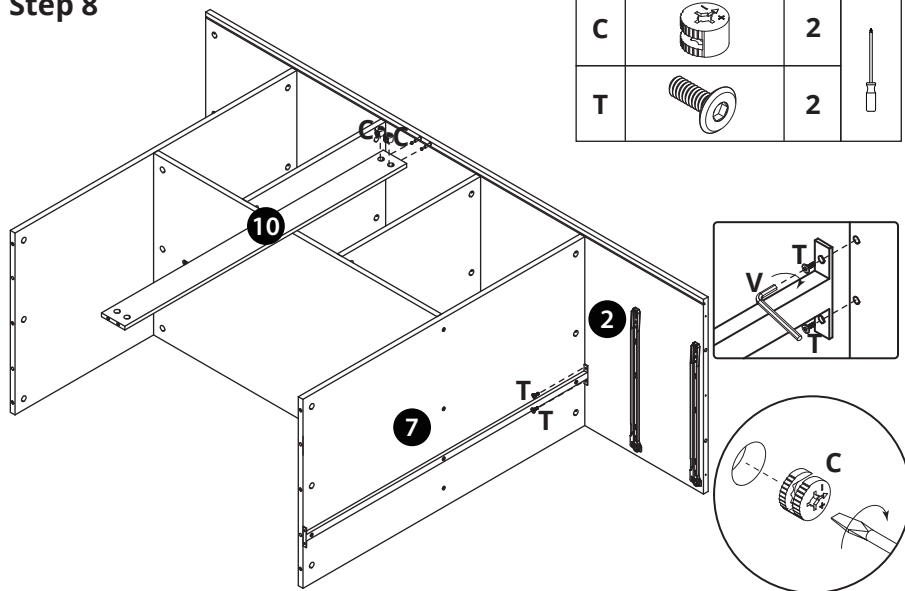
## Step 7

B		12	
D		8	

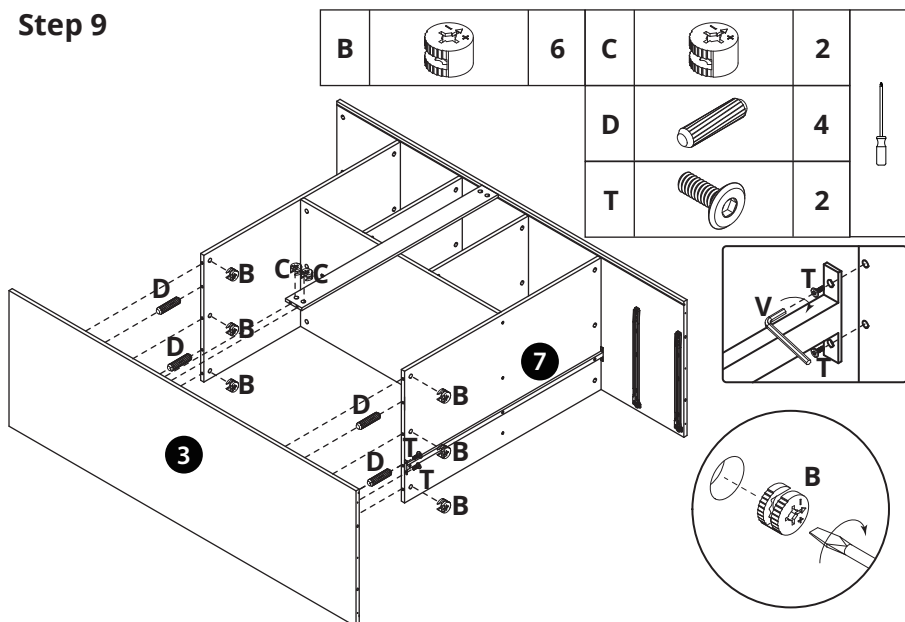


# ASSEMBLY INSTRUCTIONS

## Step 8

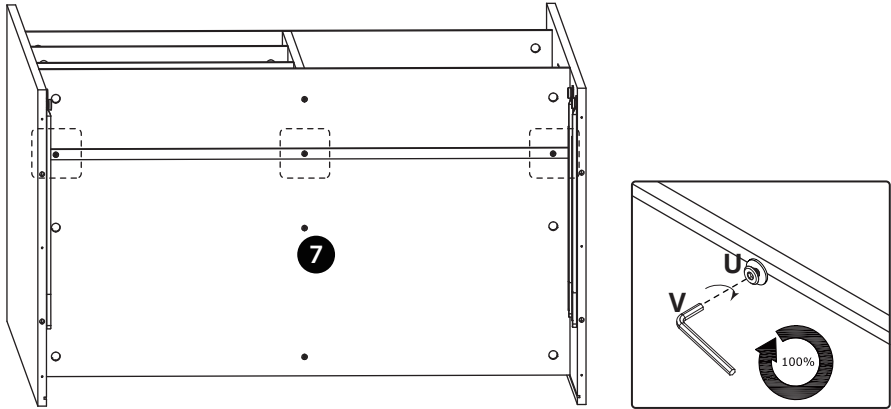


## Step 9

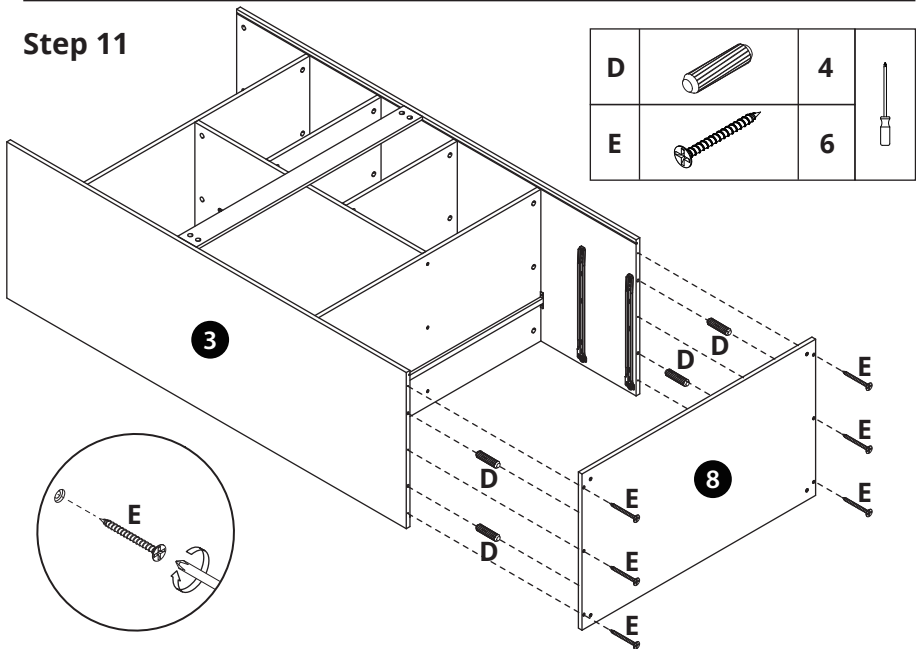


# ASSEMBLY INSTRUCTIONS

## Step 10

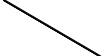



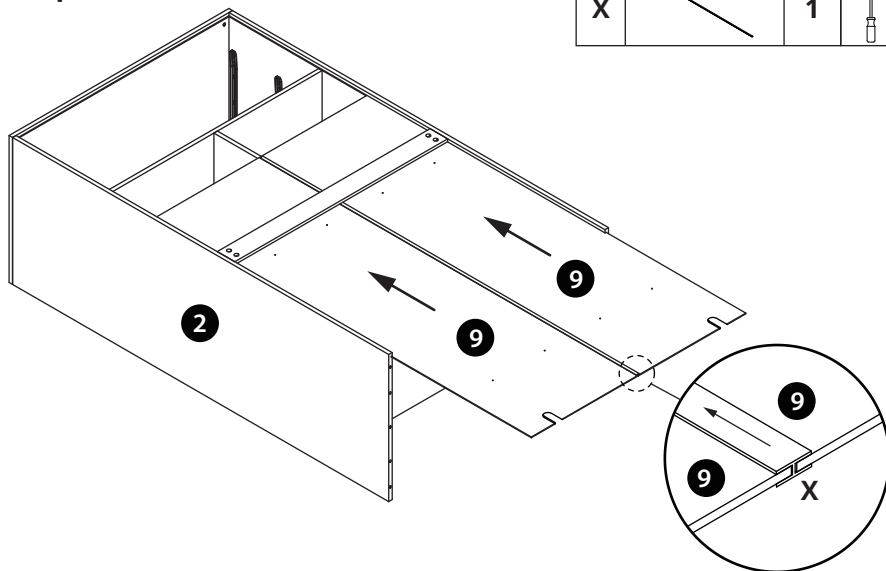
## Step 11





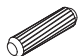
# ASSEMBLY INSTRUCTIONS

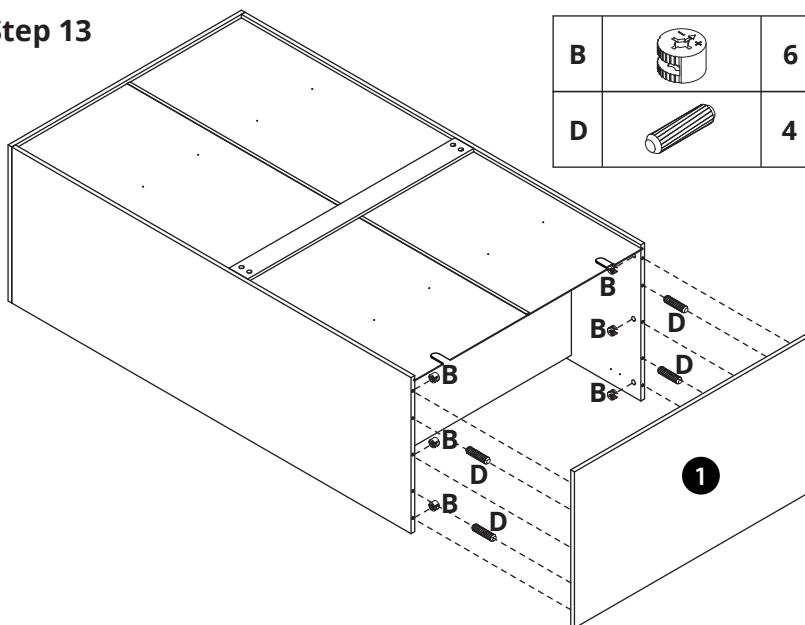
## Step 12

X		1	
---	---	---	--




## Step 13

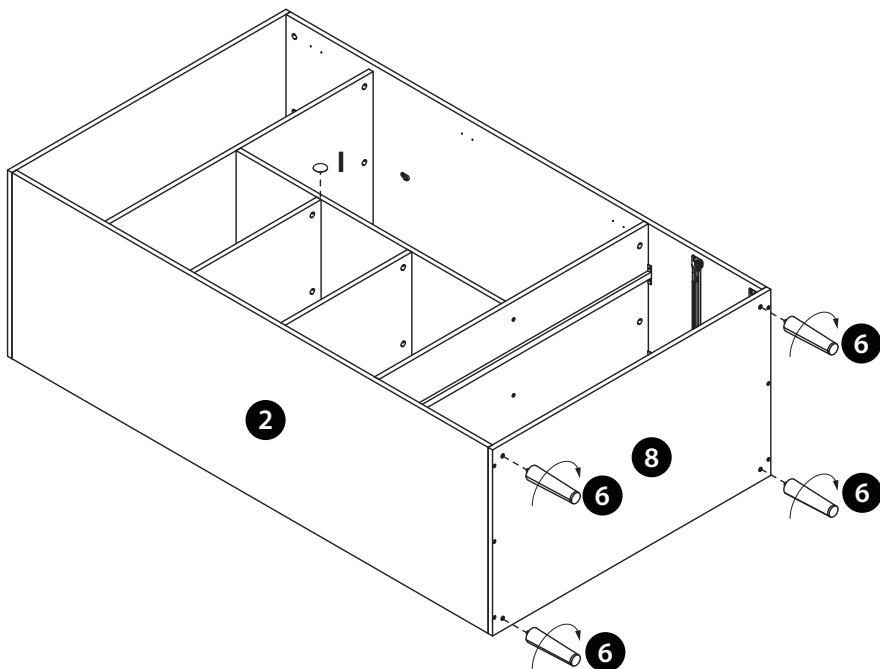
B		6	
D		4	



# ASSEMBLY INSTRUCTIONS

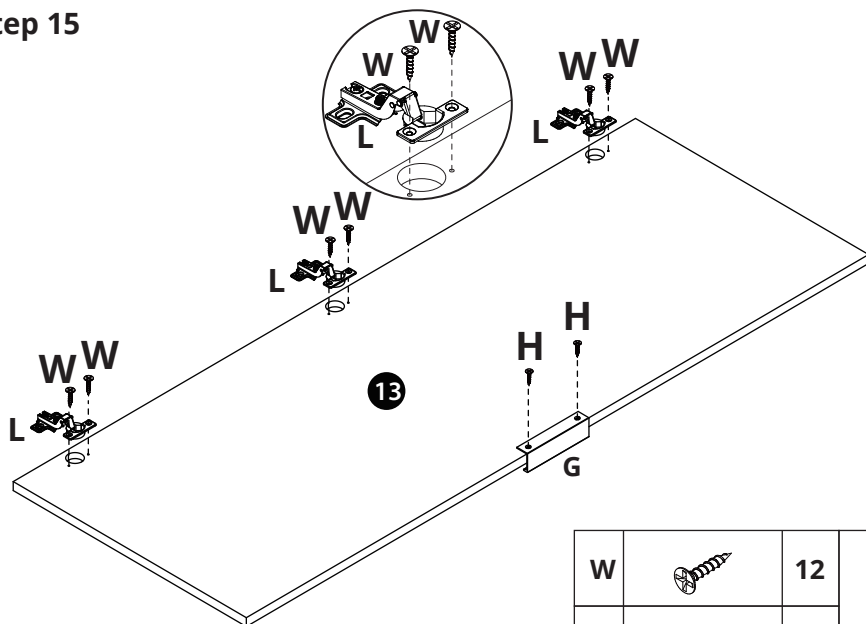
Step 14

1		1	
---	---	---	--








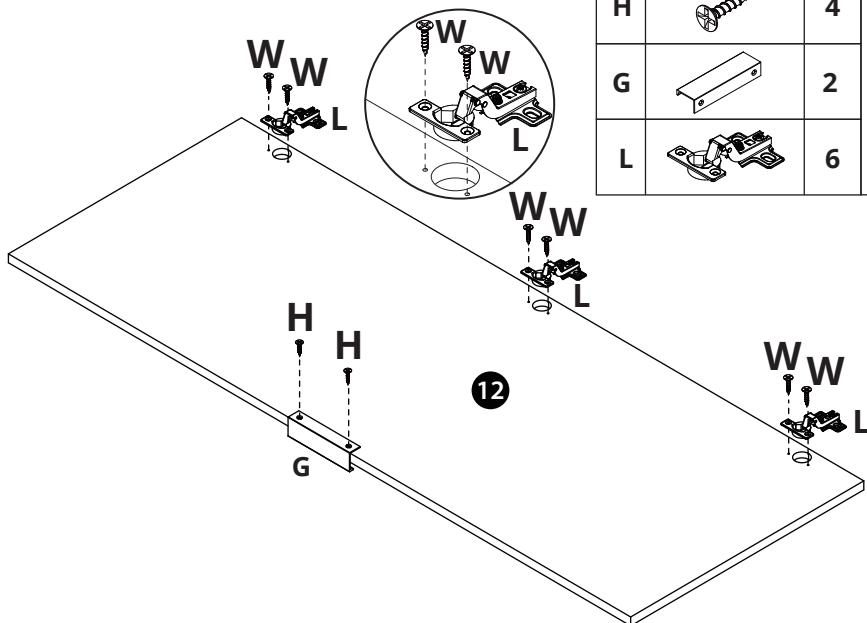
# ASSEMBLY INSTRUCTIONS

## Step 15



13

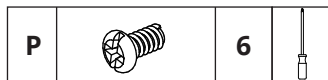
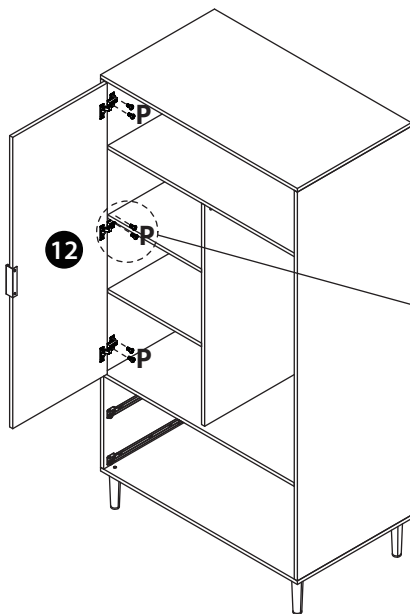
W		12	
H		4	
G		2	
L		6	



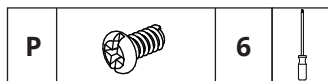
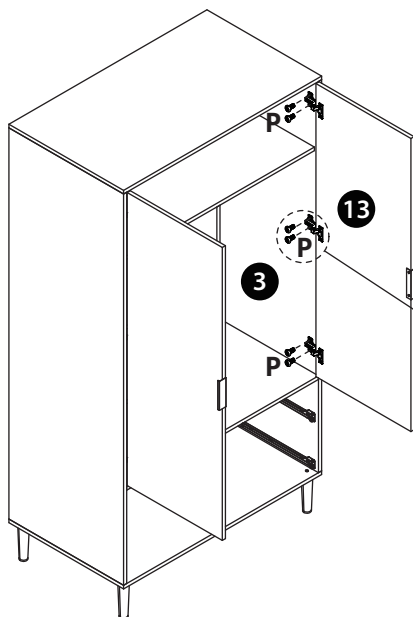
12

# ASSEMBLY INSTRUCTIONS

## Step 16

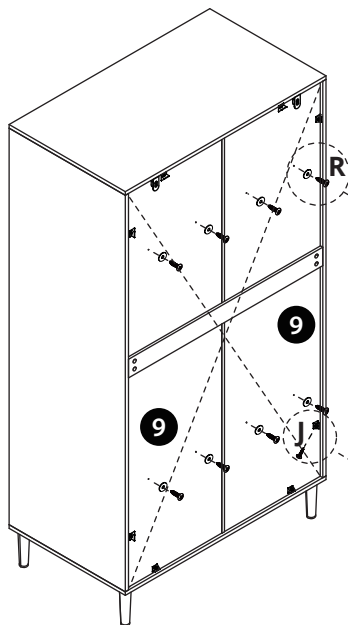


## Step 17

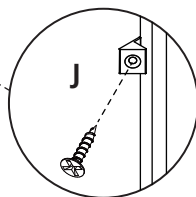
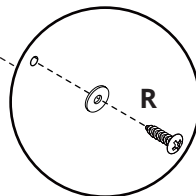


# ASSEMBLY INSTRUCTIONS

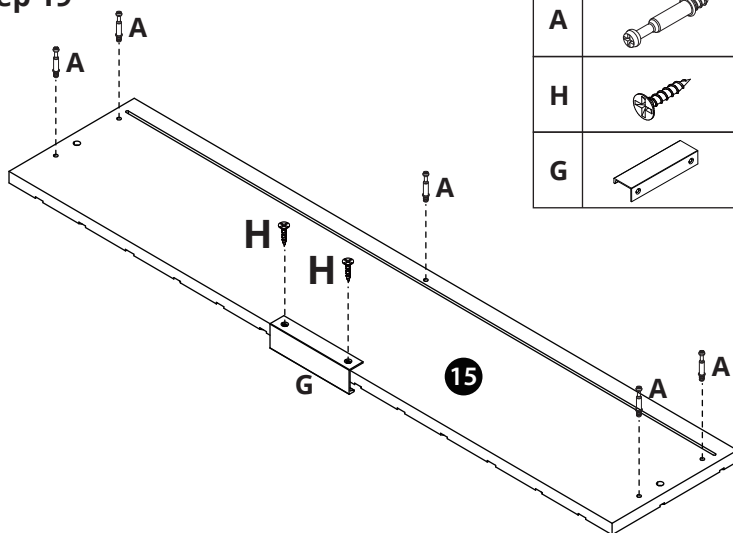
## Step 18



R		8	
J		8	



## Step 19



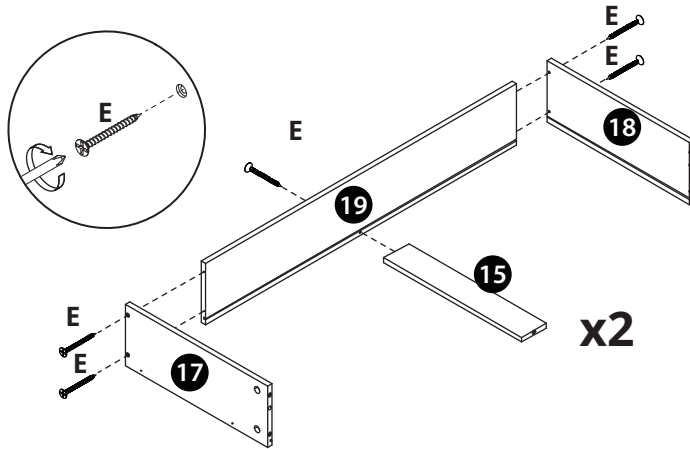
A		10	
H		4	
G		2	

x2

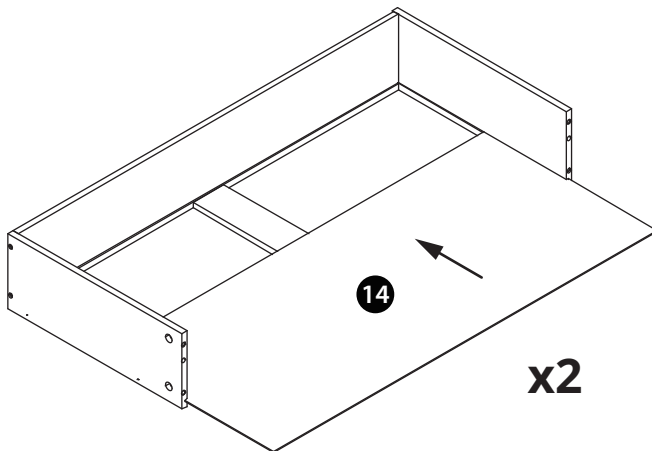
# ASSEMBLY INSTRUCTIONS

## Step 20

E		10	
---	---	----	---

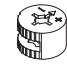

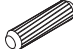


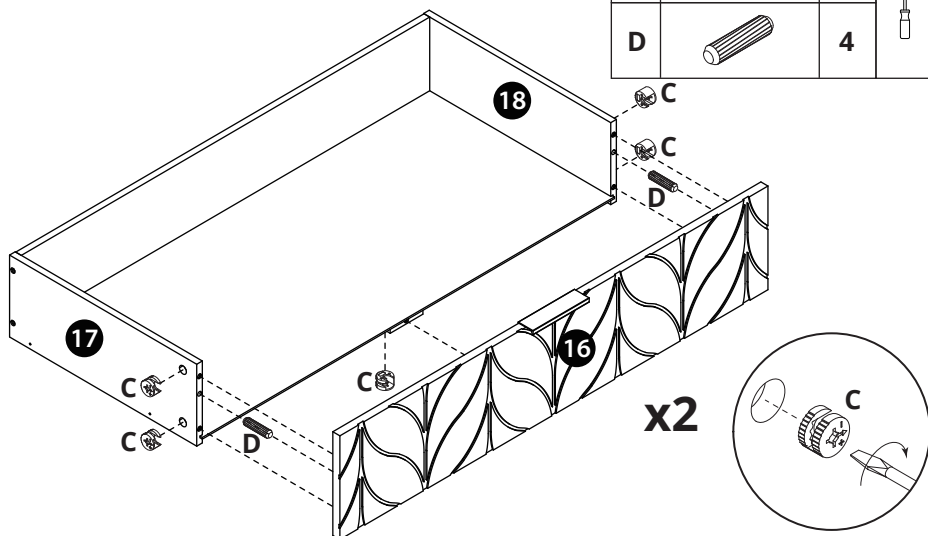
## Step 21







# ASSEMBLY INSTRUCTIONS

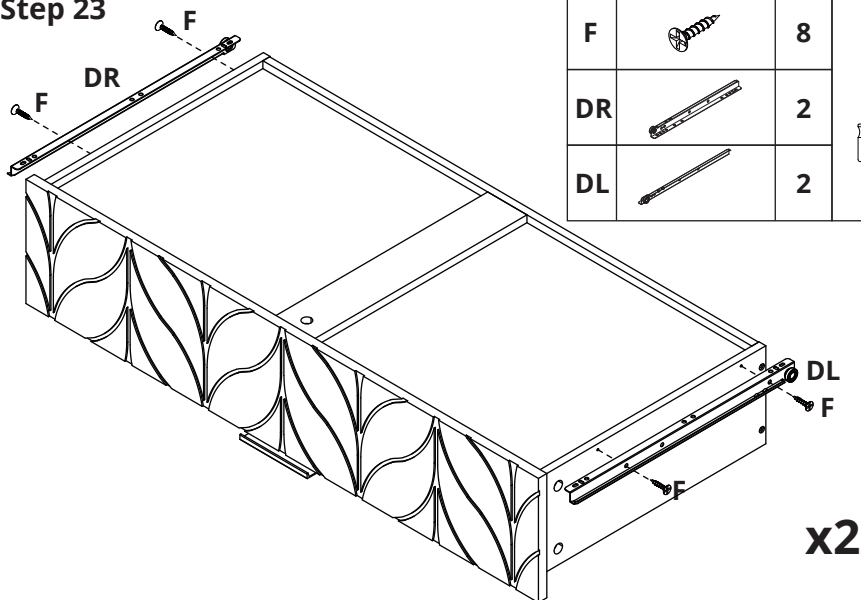
## Step 22

C		10	
D		4	



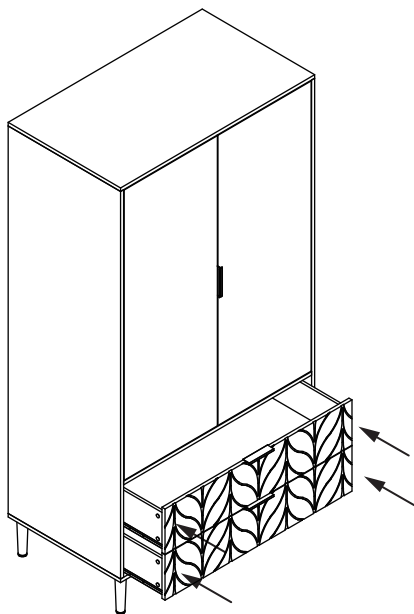
## Step 23

F		8	
DR		2	
DL		2	

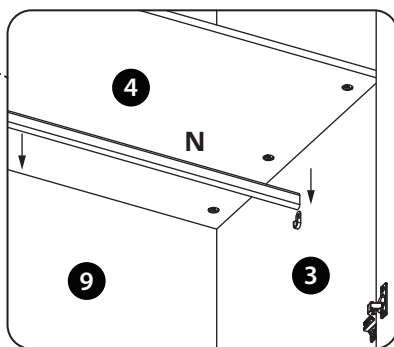
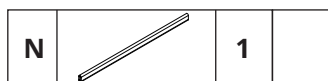
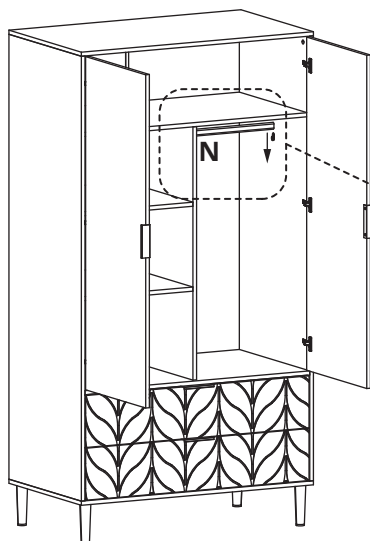


# ASSEMBLY INSTRUCTIONS

## Step 24

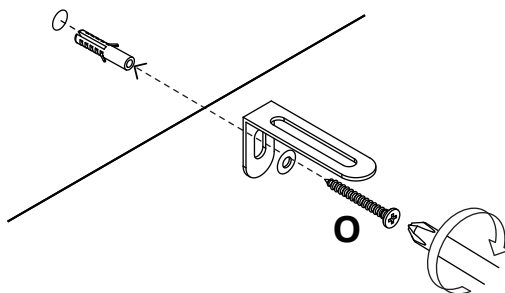
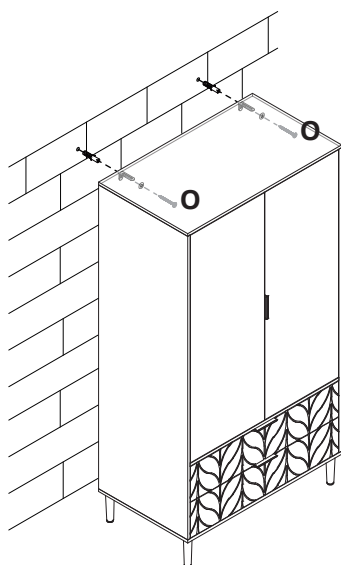
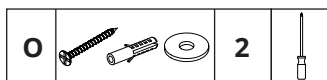


## Step 25



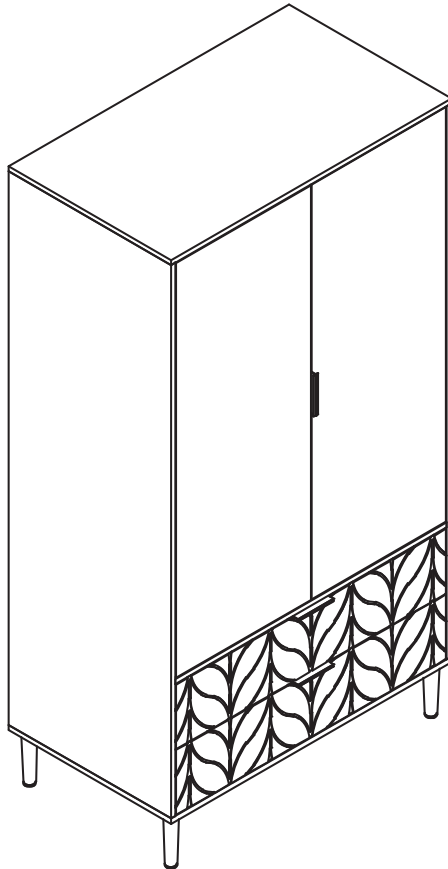
# ASSEMBLY INSTRUCTIONS

## Step 26



# ASSEMBLY INSTRUCTIONS

---



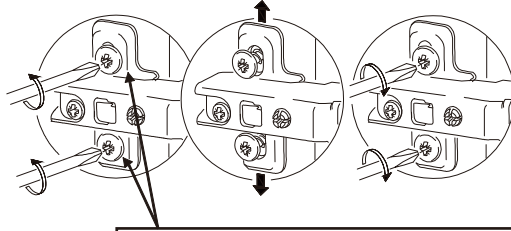
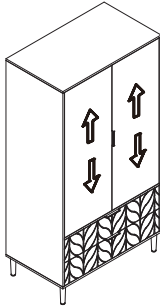
Congratulations! Now you have finished assembling the product.

# DOOR ALIGNMENT



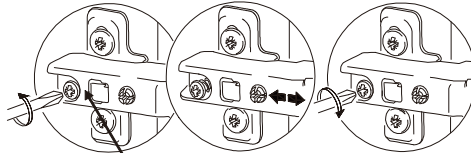
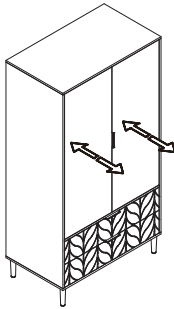
## Customer Attention:

To align doors and control gap in between doors, product doors may need adjusting during and after assembly. This can be done by adjusting appropriate screws. See below illustration.



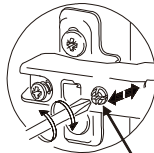
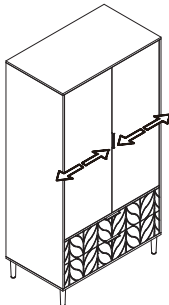
### Vertical Door Adjustment:

Loosen both screws on all hinges and lift the door to the desired height. This allows an even space at the top and bottom between the door and frame.



### Lateral Door Adjustment:

If door is hinge bound, (rubbing on frame as you close or open door) loosening screw shown and move the door in appropriate direction. (In or out)



### Horizontal Door Adjustment:

Rotate screw clockwise or anticlockwise. This will produce an even gap between doors and frame.

## IF YOU FIND A DEFECTIVE PART

---

We fully stock all parts and components. Any defective part can be quickly replaced. Take note of the defective part number in manual and we will arrange a quick replacement.

You can email our team at [customercare@laura-james.co.uk](mailto:customercare@laura-james.co.uk)

## COPYRIGHT

---

All material in this instruction manual is copyrighted by AGTC Ltd.

Any unauthorised use may violate worldwide copyright, trademark and other laws.



Thank you for purchasing!

Laura James® is a registered trademark of AGTC Ltd.  
Made in China for AGTC LTD S35 9ZX

---

Laura James

[www.laura-james.co.uk](http://www.laura-james.co.uk)