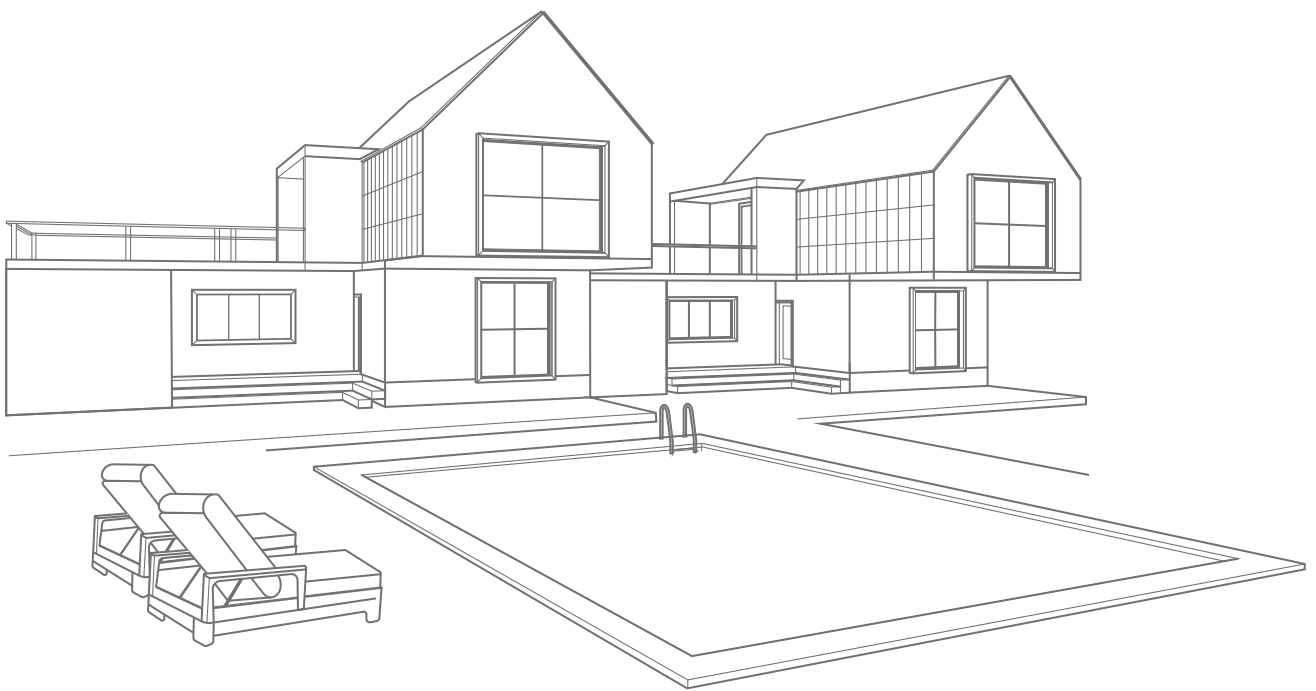


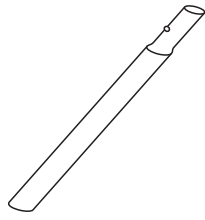
# Round assembled center pole umbrella



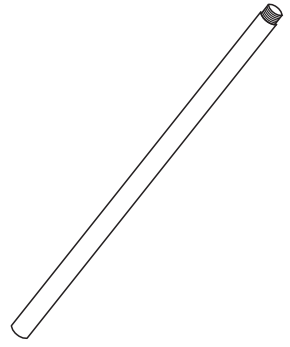
**A** x1



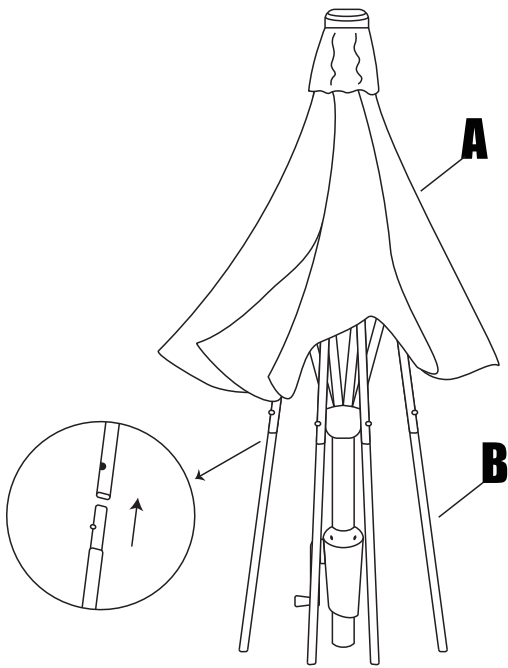
**B** x8



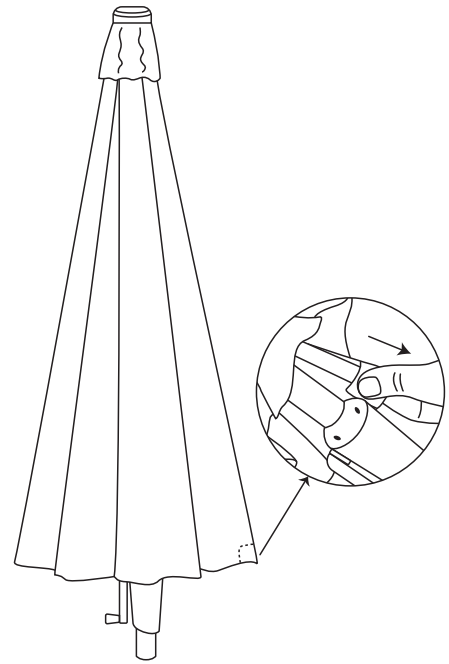
**C** x1



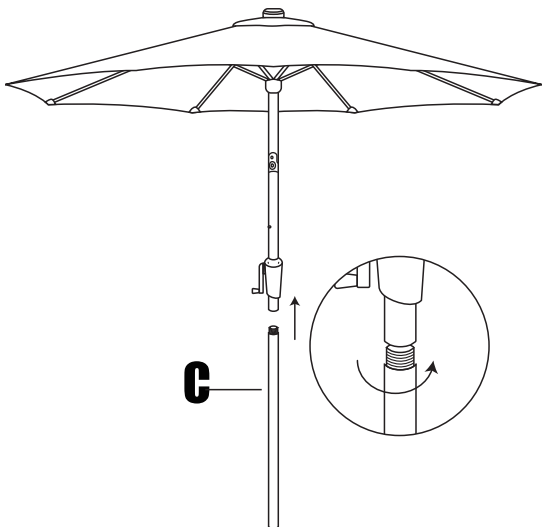
**1**



**2**



**4**



**5**

