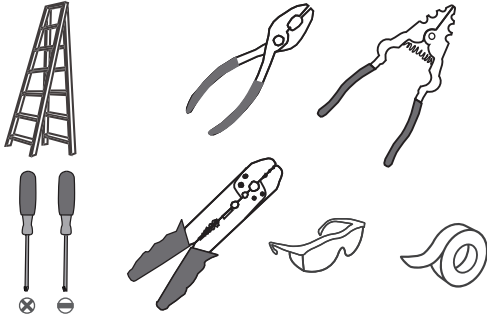
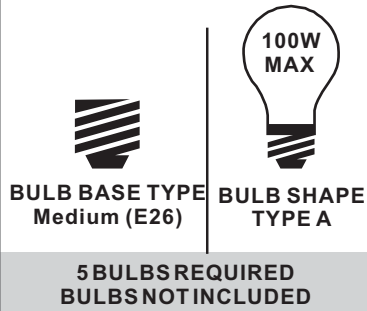


# Installation Guide

## Tools Required



## Light Source



Option 1 (socket up): Fixture Height Adjustable 25" to 72"

Option 2 (socket down): Fixture Height Adjustable 29.5" to 76.5"

## Warnings and Cautions

Turn off the electricity at the circuit breaker before installation. Consult a licensed electrician if in doubt about installation.

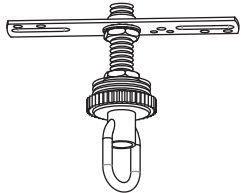
Turn off power to the fixture and allow the bulbs to cool before replacing.

## Package Contents

**Preparation:** Identify and inspect all parts before beginning the installation.

Missing or damaged parts? Contact your original place of purchase.

### PARTS BAG



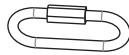
**A** Crossbar Assembly x 1



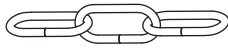
**B** Outlet Box Screw x 2



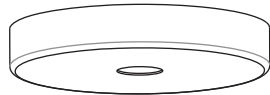
**C** Wire Connector x 3



**D** Quick Link x 2



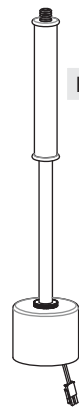
**E** Fixture Chain x 1



**F** Ceiling Canopy x 1



**G** Fixture Loop Assembly x 1



**H** Center Column x 1



**I** Stem with Hex Nut x 1



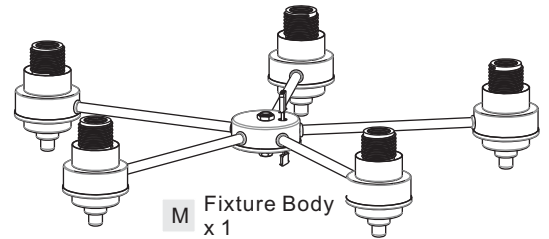
**J** Hex Nut x 2



**K** Socket Collar x 5



**L** Shade x 5



**M** Fixture Body x 1



**N** Cap x 1



**O** Check Ring x 1

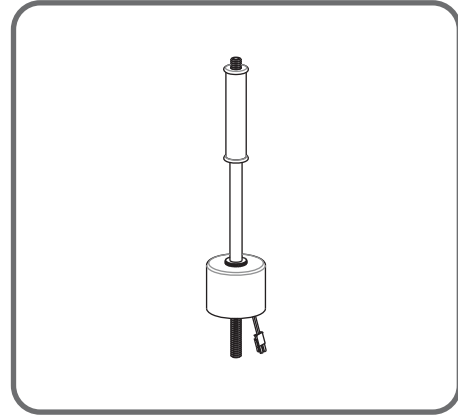
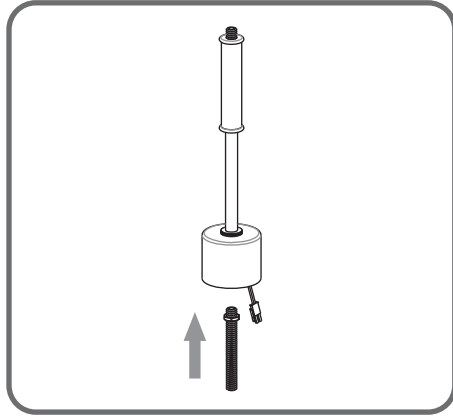


**P** Finial x 1

## Table of Contents

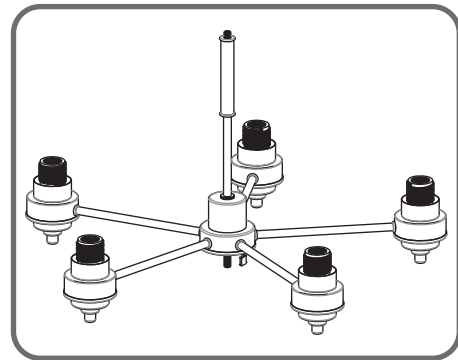
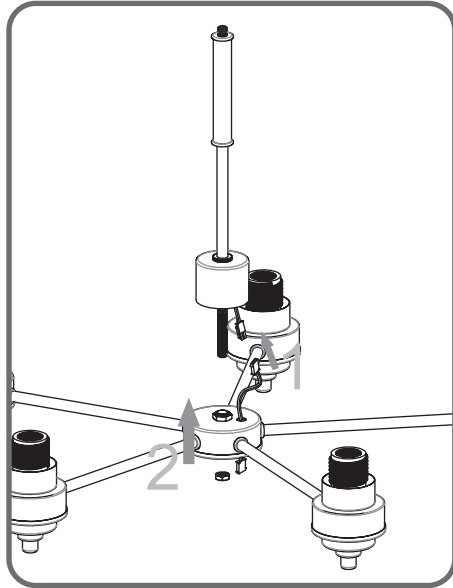
Stem with Hex Nut	Fixture Body	Fixture Loop Assembly	Cap	Crossbar Assembly
<b>STEP 1</b>	<b>STEP 2</b>	<b>STEP 3</b>	<b>STEP 4</b>	<b>STEP 5</b>
<b>STEP 6</b>	<b>STEP 7</b>	<b>STEP 8</b>	<b>STEP 9</b>	
Fixture Chain	Wiring	Ceiling Canopy	Shade & Bulb	

STEP 1

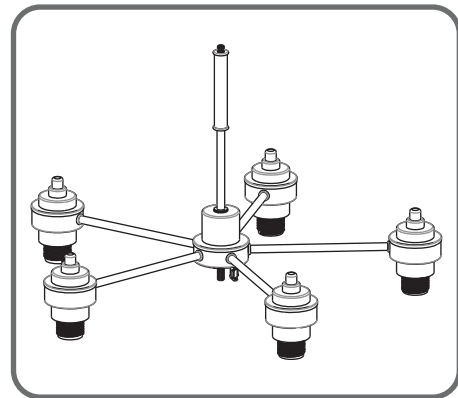
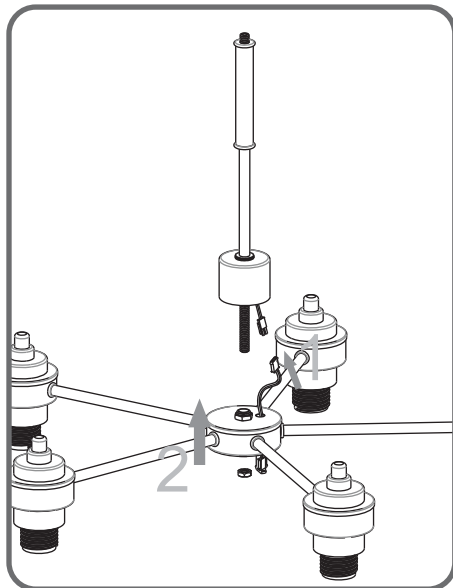


STEP 2

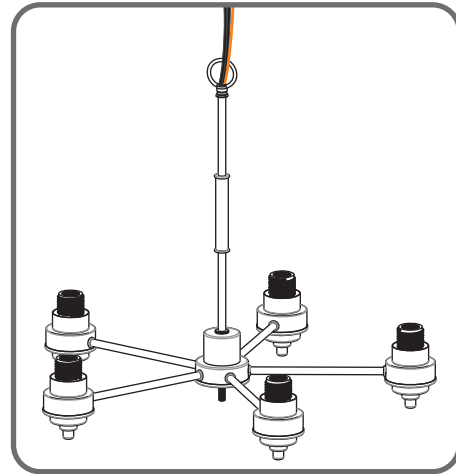
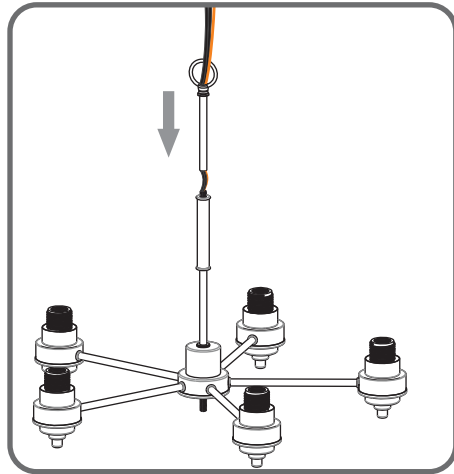
OPTION 1



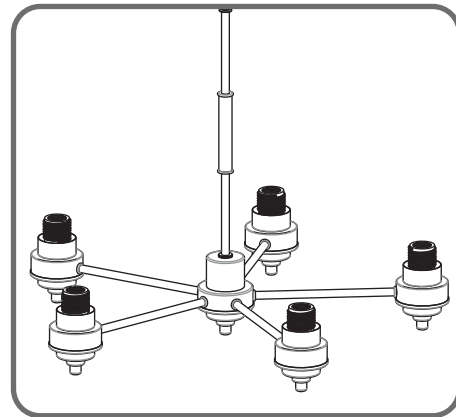
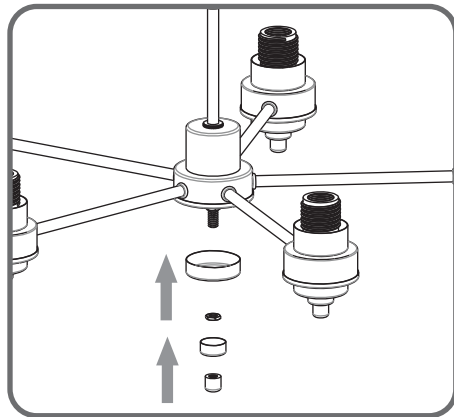
OPTION 2



**STEP 3**



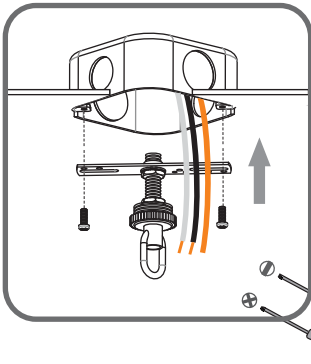
**STEP 4**



**STEP 5**

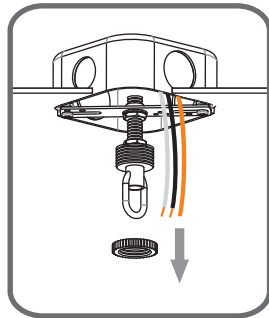
1

**Step 1**  
Install crossbar assembly

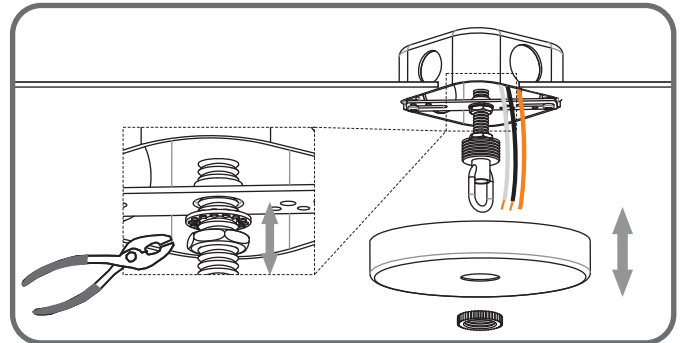


2

**Step 2 - 3**  
Test fitting ceiling canopy to nipple



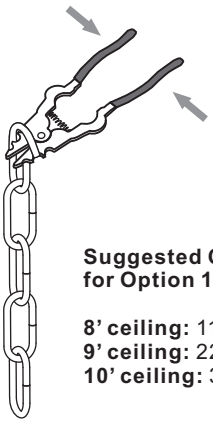
3



# STEP 6

1

Step 1  
Adjust fixture chain length

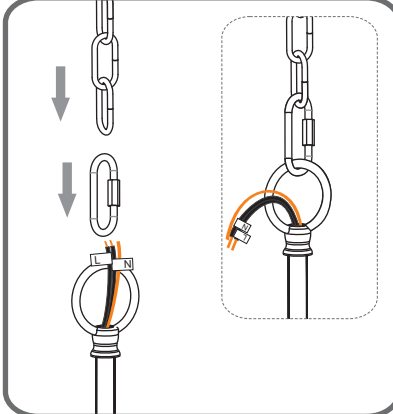


**Suggested Chain Length for Option 1:**  
8' ceiling: 11" Chain  
9' ceiling: 22" Chain  
10' ceiling: 33" Chain

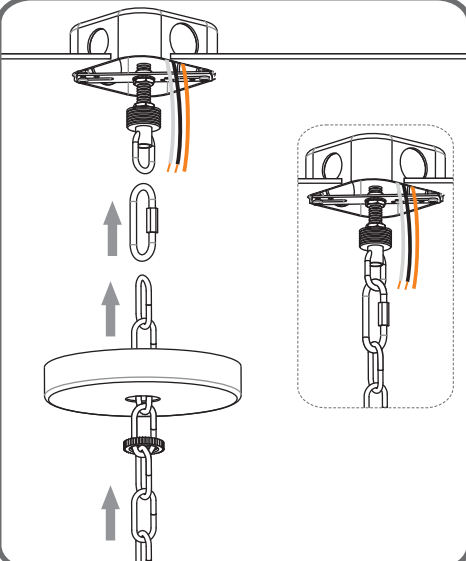
**Suggested Chain Length for Option 2:**  
8' ceiling: 5.5" Chain  
9' ceiling: 16.5" Chain  
10' ceiling: 27.5" Chain

2

Step 2 - 3  
Install Fixture Chain



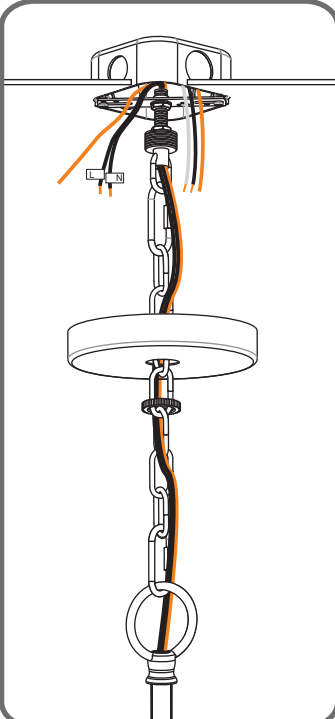
3



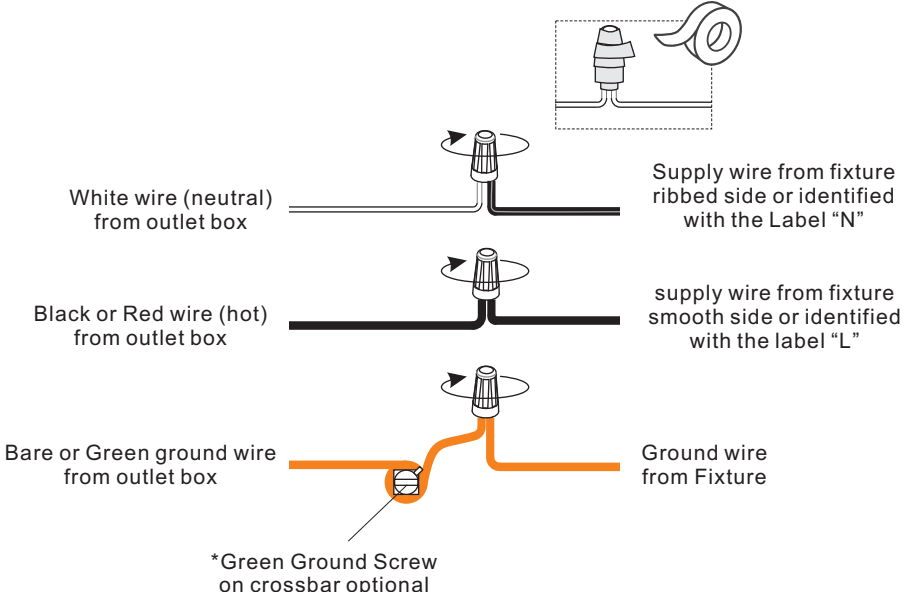
# STEP 7

1

Step 1  
Feed the fixture wires through the loop



2



White wire (neutral) from outlet box

Black or Red wire (hot) from outlet box

Bare or Green ground wire from outlet box

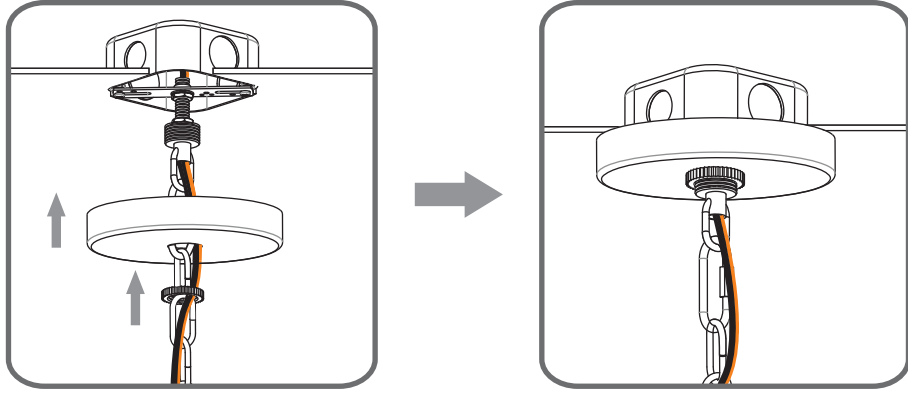
Supply wire from fixture ribbed side or identified with the Label "N"

supply wire from fixture smooth side or identified with the label "L"

Ground wire from Fixture

\*Green Ground Screw on crossbar optional

**STEP 8**



**STEP 9**

