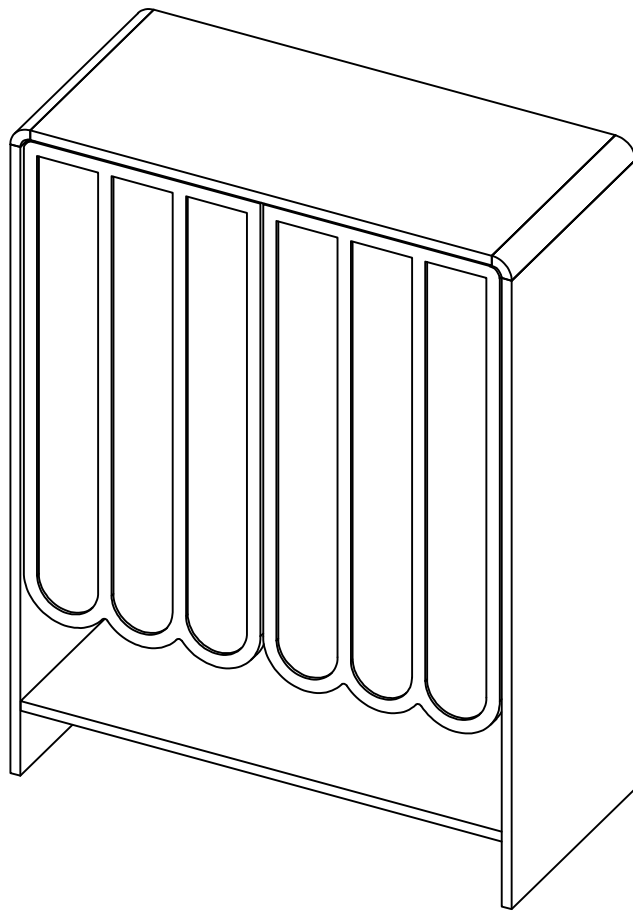


Installation instruction

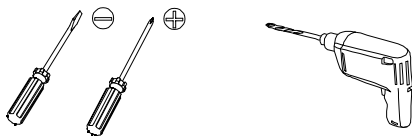


Assembling

What you need

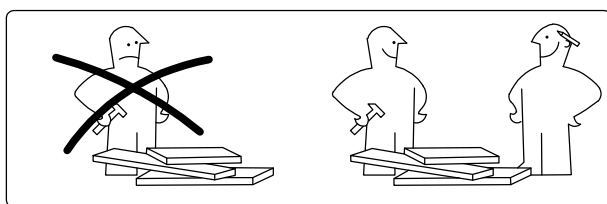
- Use the packaging carton as a working surface to prevent product damage during assembly

Tool Required Not Provided



Use electric tools with care.

Weight Limitation

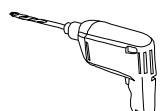


What' included

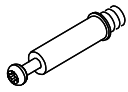
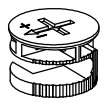
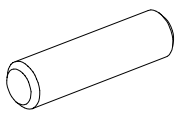

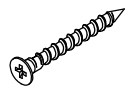
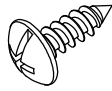
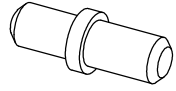
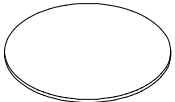
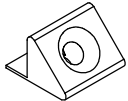

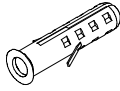
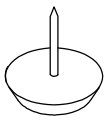
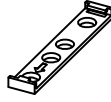
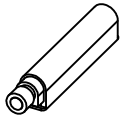

Code	Description	Qty
A	Cam Bolt M6X35MM	26
B	Cam Lock 15X12MM	26
C	Wooden Dowel M8X30MM	18
D	Screw M3.5X14MM	40
E	Screw M4X35MM	2
F	Screw M4X12MM	2
G	Shelf Holder	12
H	Plank sticker	26
I	Silicone gasket	12
J	Nylon Strap	2
K	Expansion tube	2
L	Plastic foot nail	4
M	Spring compressor	2
N	Spring compressor	2
O	Door panel hinge	4

IMPORTANT:

1. Do not tighten bolts / screws completely until all bolts / screws are lined up and inserted into holes.
2. Do not over tighten screws and bolts to avoid stripping
3. You can use a screwdriver or an electric tool (be careful when using an electric tool).



The Hardware

<p>A x 26</p>  <p>Ø6×35 mm</p>	<p>B x 26</p>  <p>Ø15×12 mm</p>	<p>C x 18</p>  <p>Ø8×30 mm</p>	<p>D x 40</p>  <p>Ø3.5×14 mm</p>	<p>E x 2</p>  <p>Ø4×35 mm</p>
<p>F x 2</p>  <p>Ø4×12 mm</p>	<p>G x 12</p> 	<p>H x 26</p>  <p>20 mm</p>	<p>I x 12</p> 	<p>J x 2</p> 
<p>K x 2</p> 	<p>L x 4</p> 	<p>M x 2</p> 	<p>N x 2</p> 	<p>O x 4</p> 

Problems and solutions you may encounter when installing:

Q:What should I do if the doors are not aligned?

A:Please refer to the text instructions in step 11

Q:What should I do if the product shakes?

A:Please refer to the text instructions in step 12

Q:What should I do if the presser cannot be used?

A:Please refer to the text instructions in step 11

Q:What should I do if the product is high and low?

A:The ground may be uneven. Please place the product in a flat place for observation. If it cannot be solved, please contact us through the platform in time.

Q:What should I do if the product is damaged?

A:Please contact the platform in time to confirm which component is damaged, and your needs will be handled as soon as possible

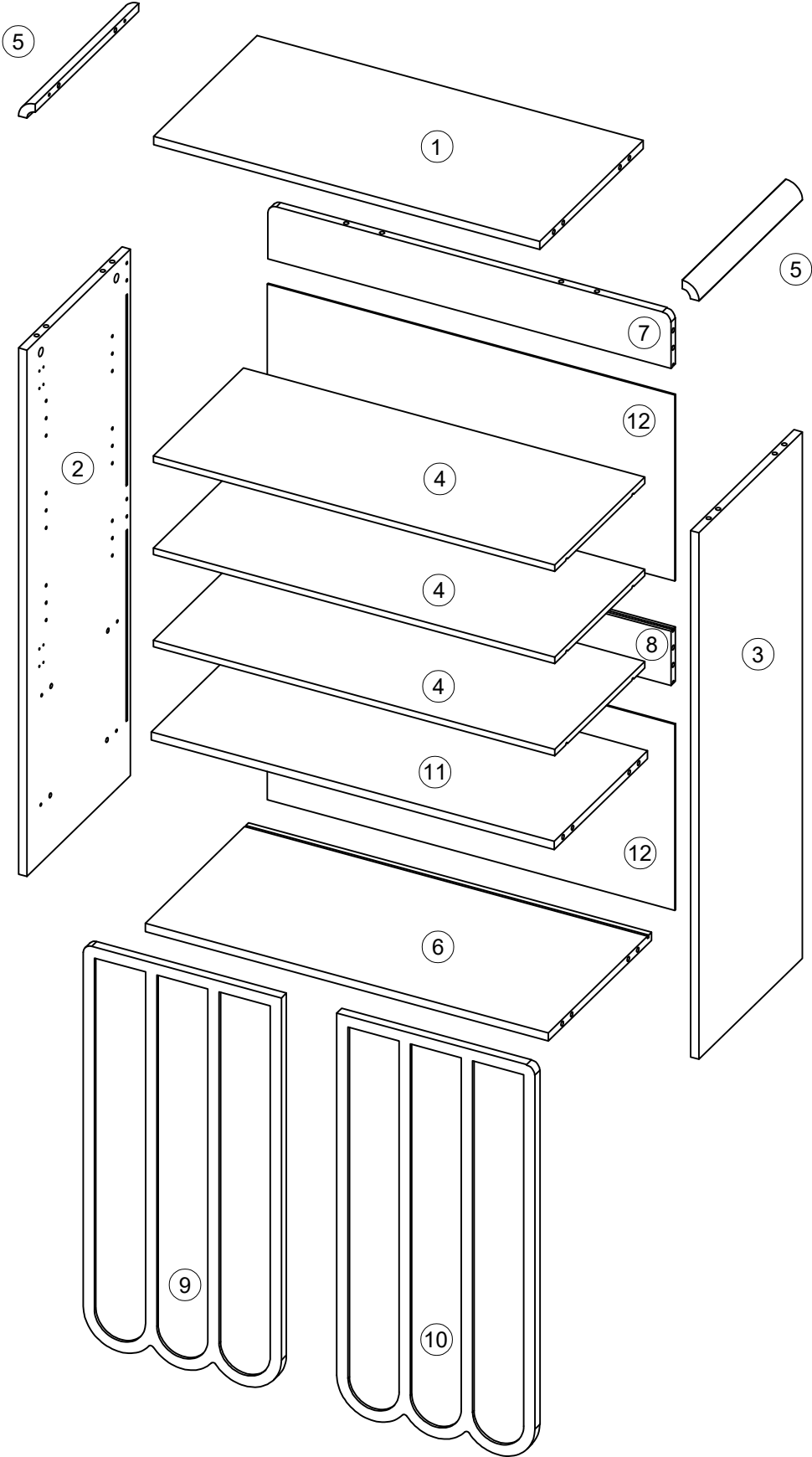
Q:What should I do if I lack accessories?

A:Please contact through the platform in time, and we will arrange for you to reissue accessories as soon as possible



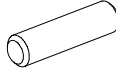



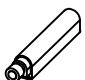
Included Accessories

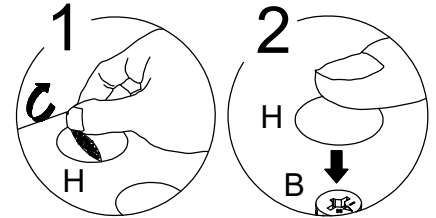
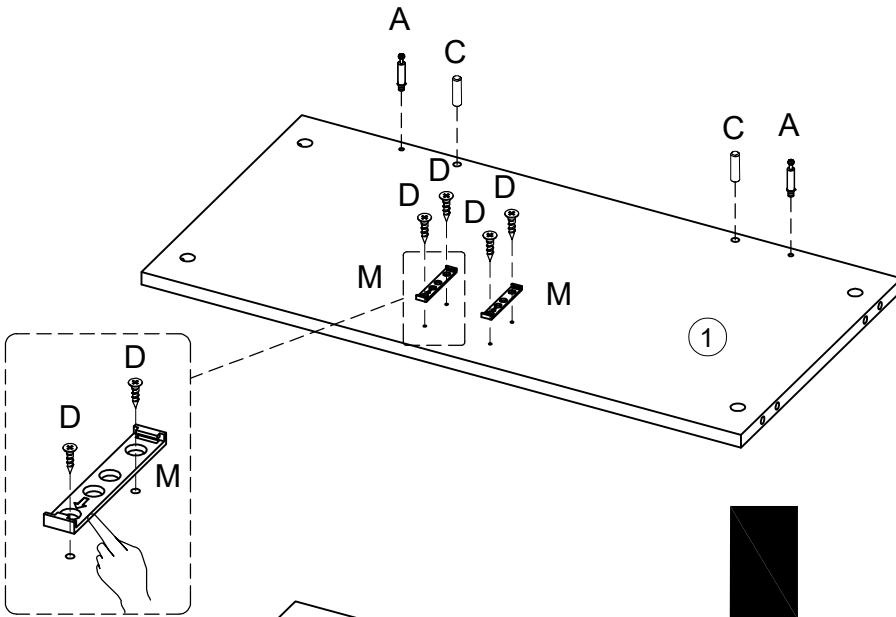
Code	Description	Qty
1	Panel	1
2	Left side plate	1
3	Right side plate	1
4	Movable pressure plate	3
5	Trim panel	2
6	Bottom plate	1
7	Upper rear pull plate	1
8	Lower rear pull plate	1
9	Left door panel	1
10	Right door panel	1
11	Laminate	1
12	Backboard	2

The Accessoriess

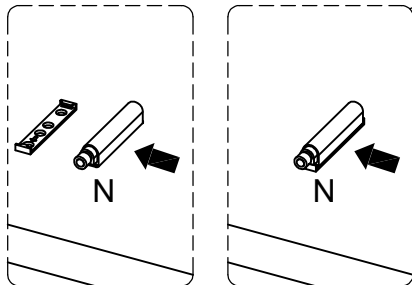
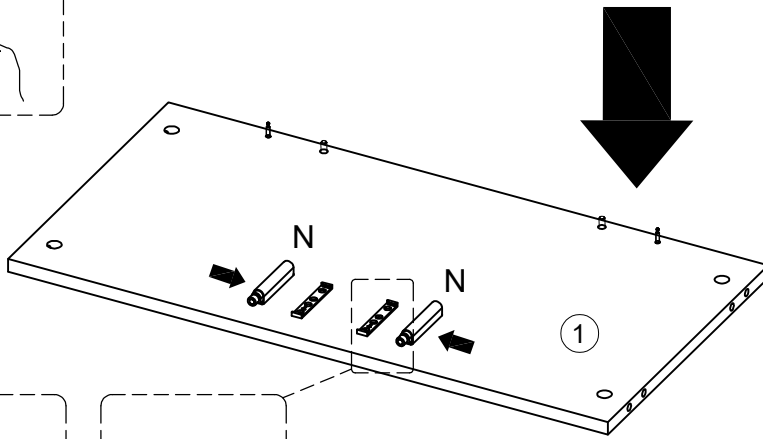


Step 2

H x 2  20 mm	D x 4  Ø3.5x14 mm	C x 2  Ø8x30 mm	B x 2  Ø15x12 mm	A x 2  Ø6x35 mm
			M x 2 	N x 2 

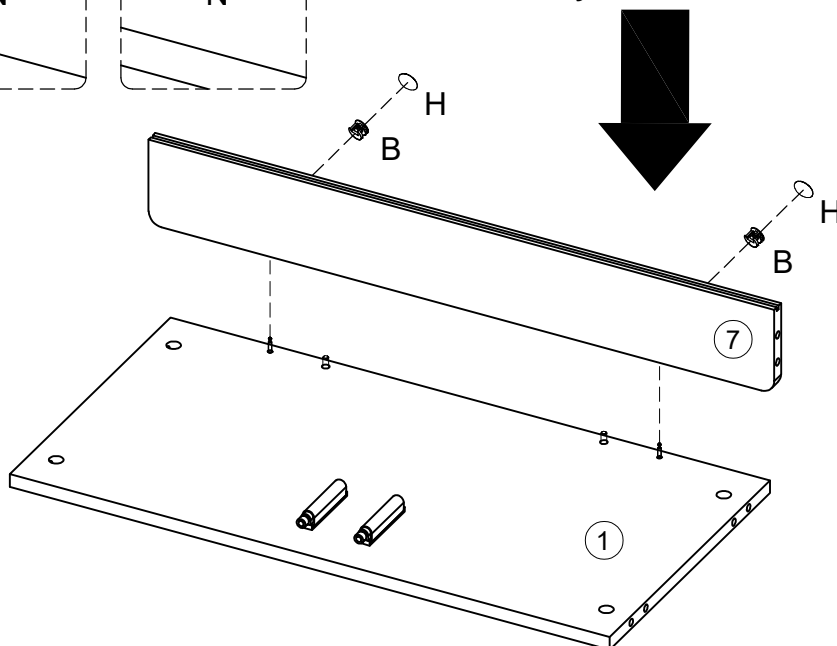


For beauty and safety.
Please attach four H-hole stickers
at the end of this step.





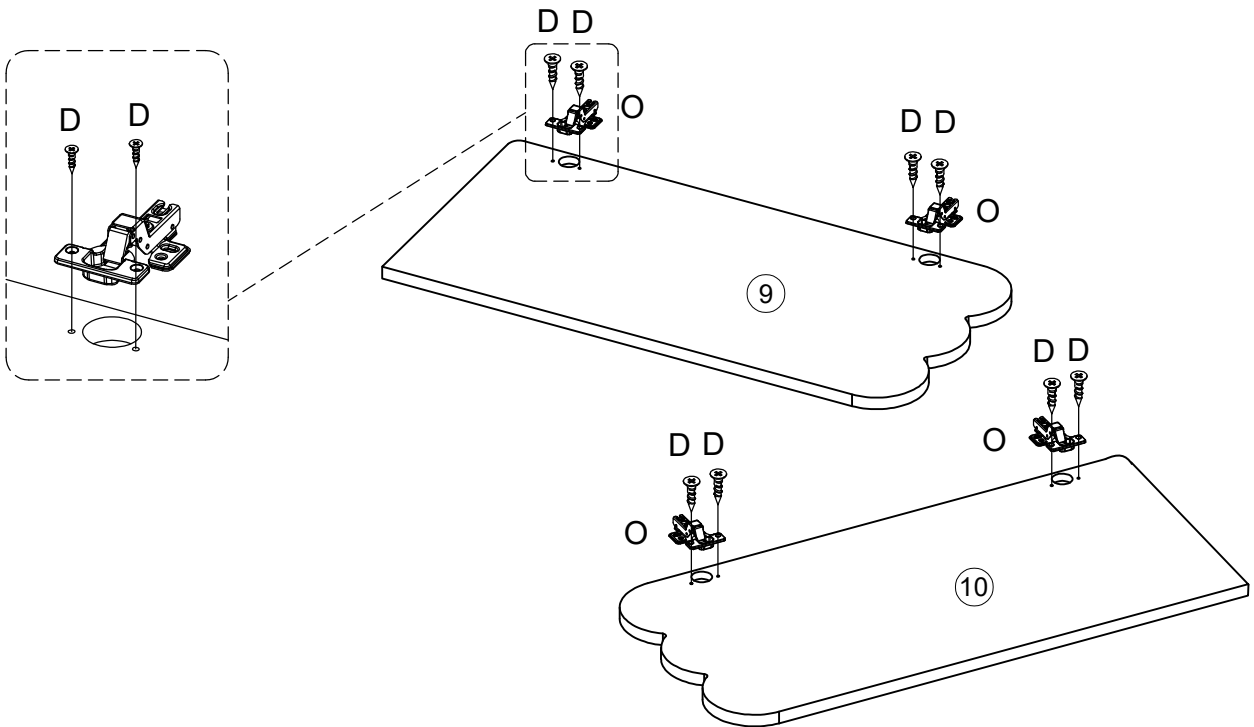
First, attach it to the wooden board,
and then assemble M and N together.

**The part is pushed in from the
side for assembly.**






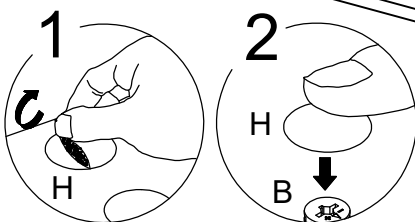
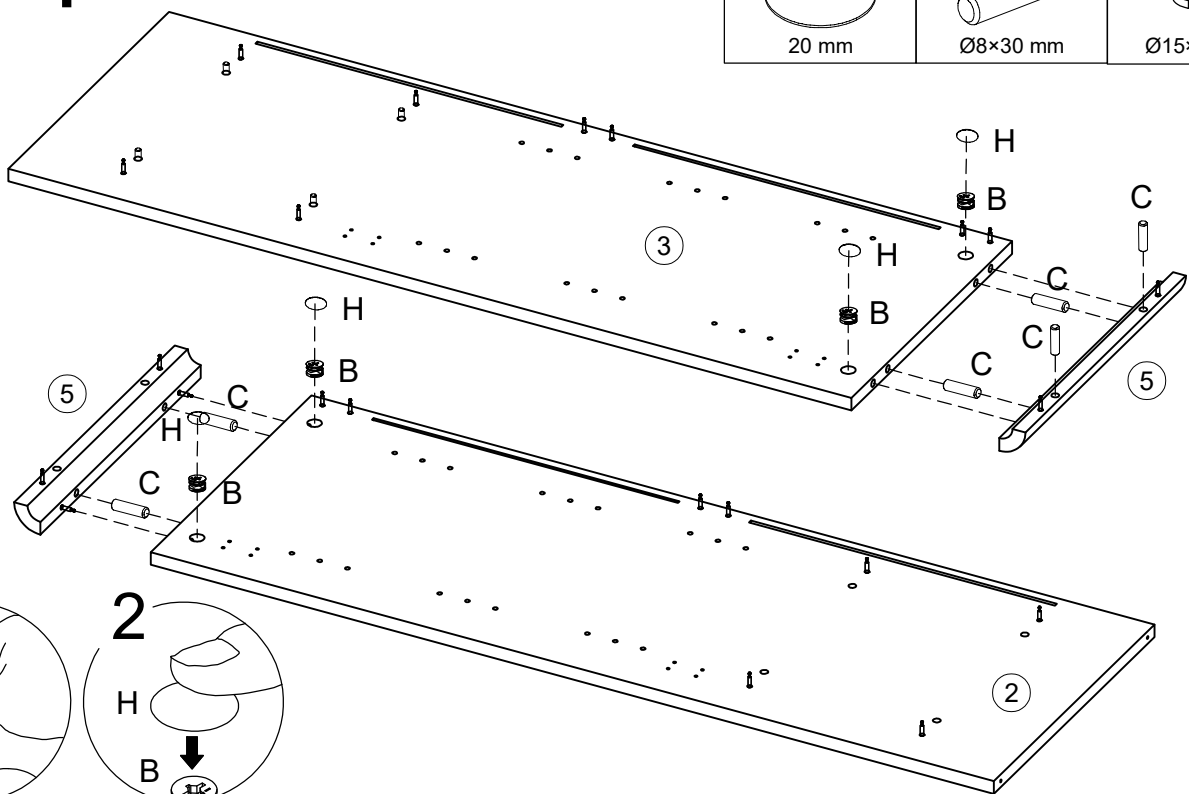
Step 3

O x 4	D x 8
	
	Ø3.5x14 mm



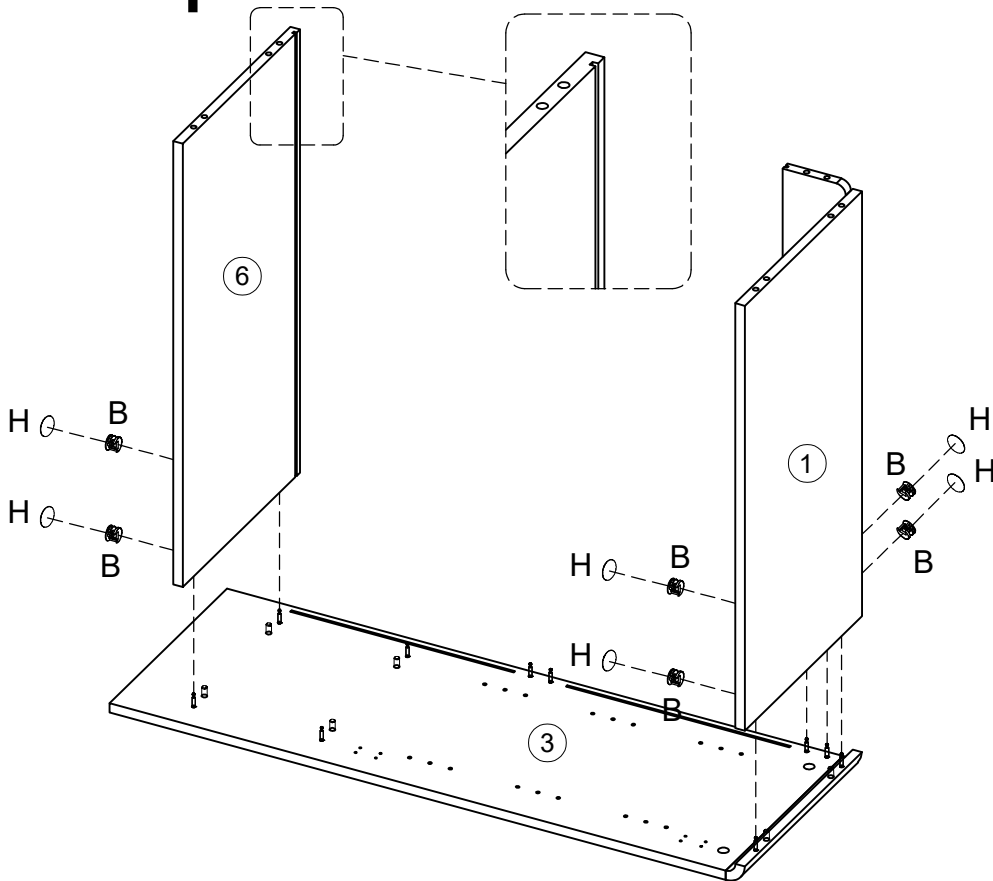
Step 4

H x 4	C x 6	B x 4
		
20 mm	Ø8x30 mm	Ø15x12 mm

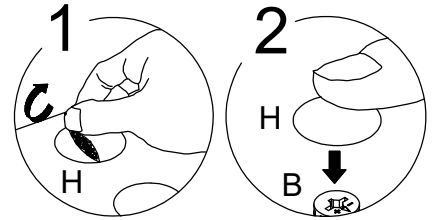


For beauty and safety.
Please attach four H-hole stickers
at the end of this step.

Step 5

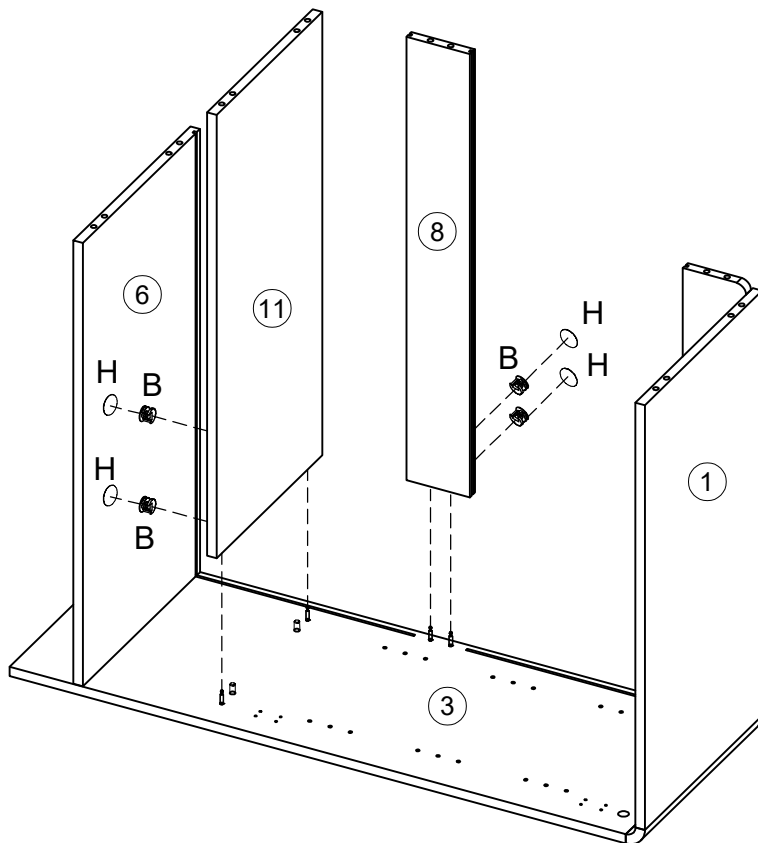


H x 6 20 mm	B x 6 Ø15x12 mm
----------------	--------------------

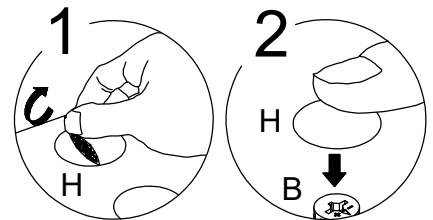


For beauty and safety.
Please attach four H-hole stickers
at the end of this step.

Step 6

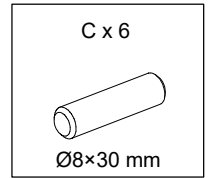
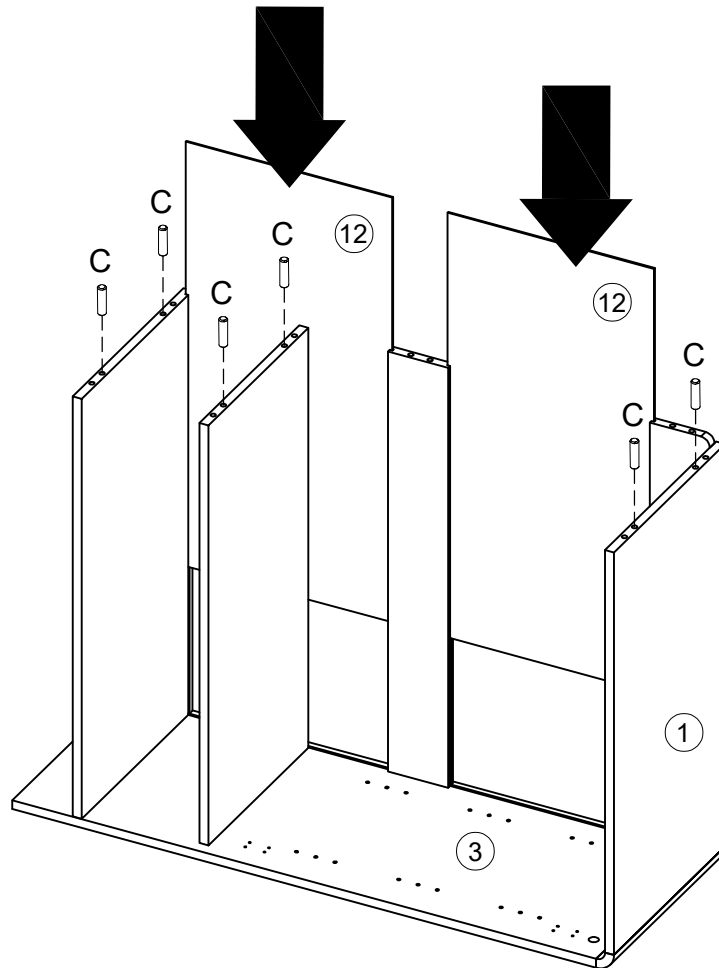


H x 4 20 mm	B x 4 Ø15x12 mm
----------------	--------------------

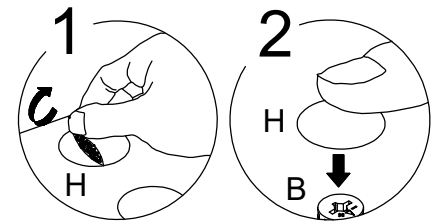
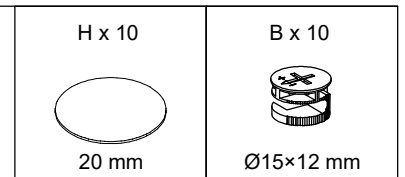
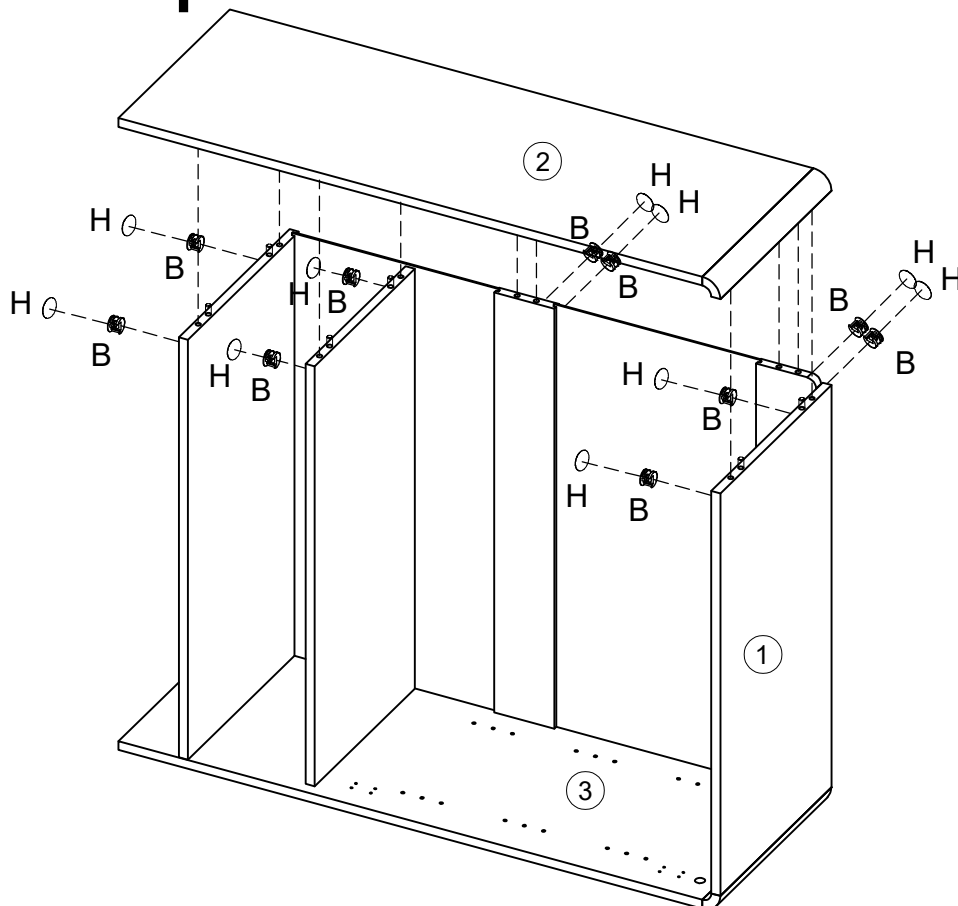


For beauty and safety.
Please attach four H-hole stickers
at the end of this step.

Step 7

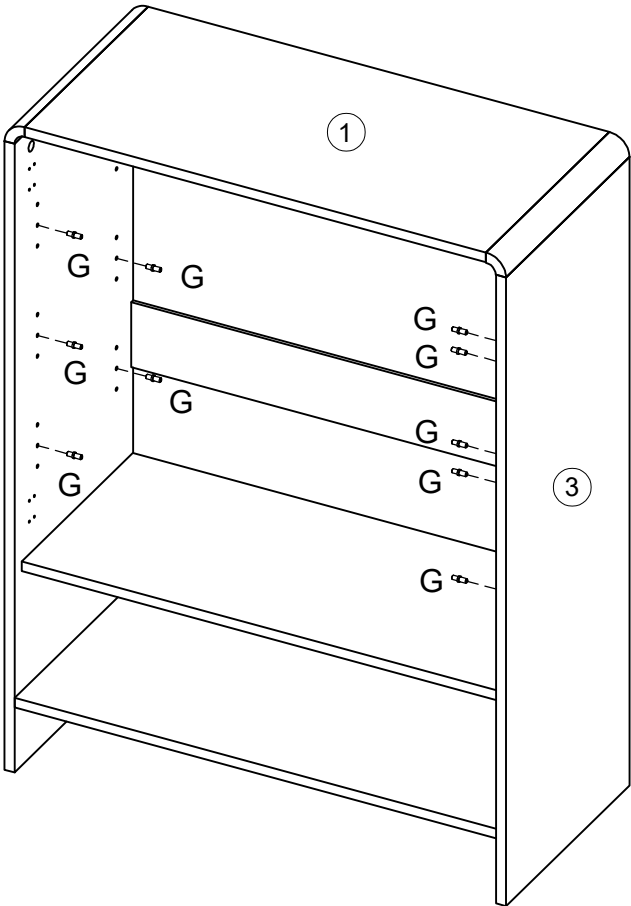
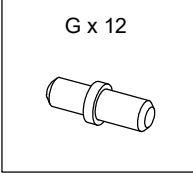


Step 8

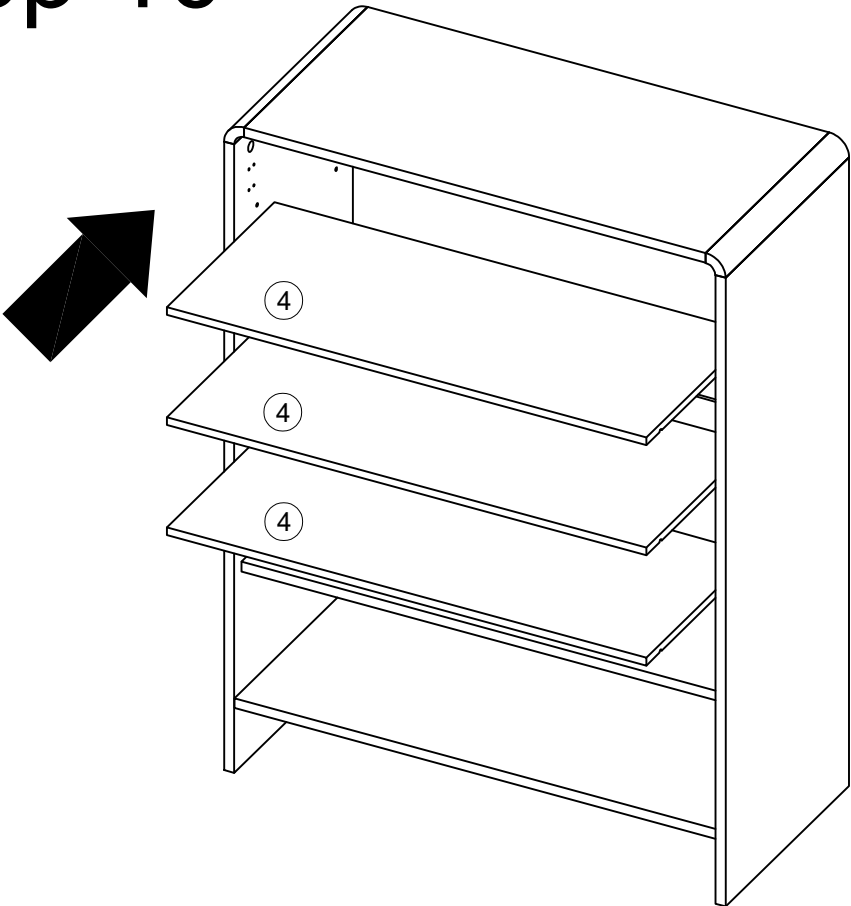


For beauty and safety.
Please attach four H-hole stickers
at the end of this step.

Step 9

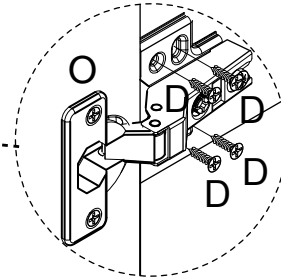
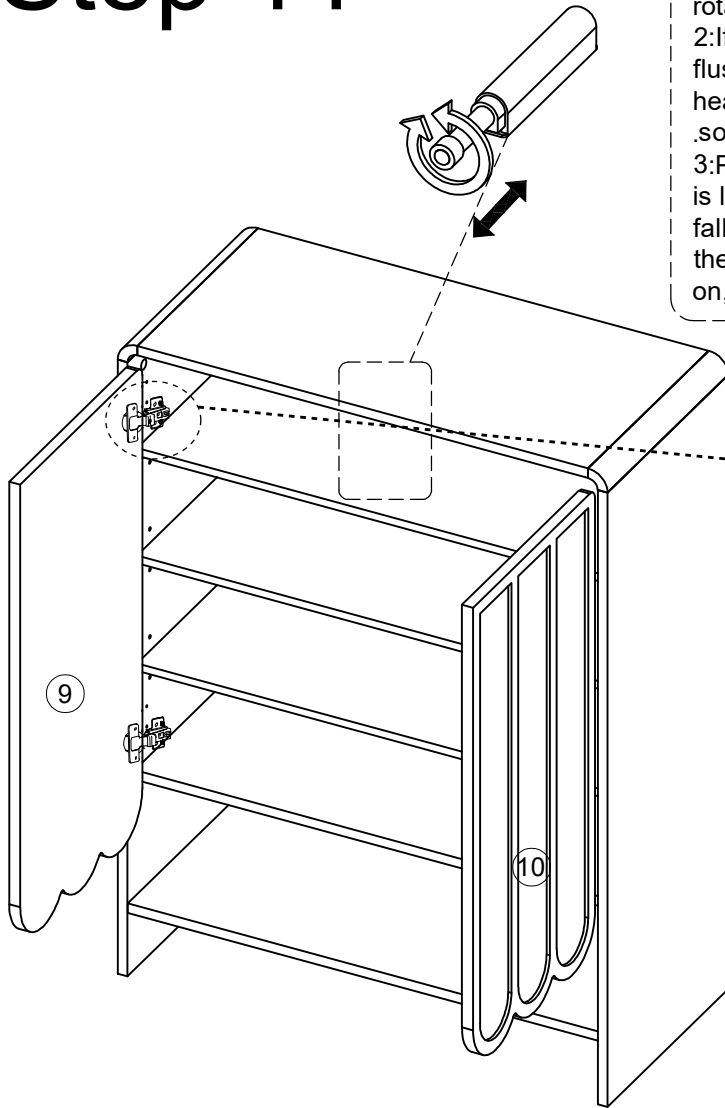
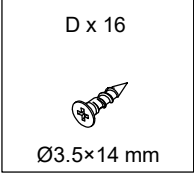


Step 10

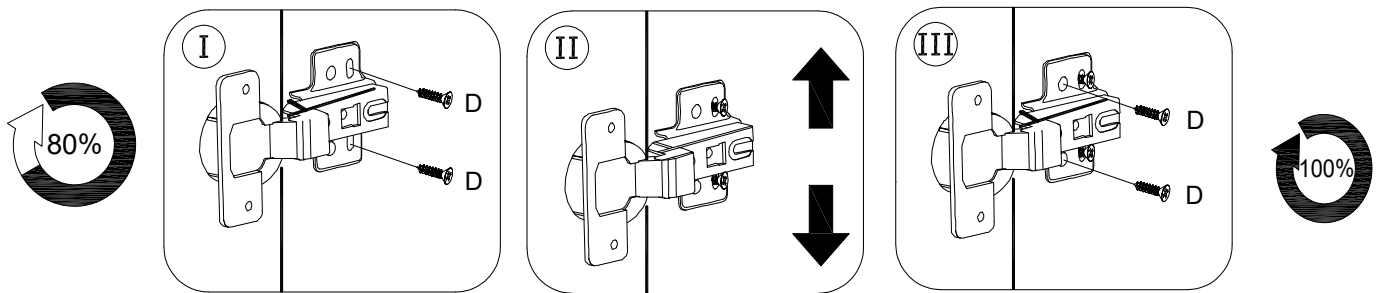
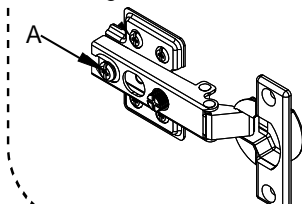


Step 11

1: If the spring door cannot be opened by pressing you can adjust its length by rotating the head of component N.
 2: If the middle of the door panel is not flush with the sides, you can rotate the head of component N to adjust its length so that the door panel is flush.
 3: Please note that the head length of N is limited. If you twist it too much, it will fall off. If it falls off, you can rotate it in the opposite direction and screw it back on, and N can still be used normally.



If you find that the screw holes do not align when installing, you can adjust the A screw and align the holes before installing.



How do I get the two doors to align flat by adjusting the hinges?



01 Adjust the screws shown in Figure 1 to adjust the doors up and down.



02 Adjust the screws shown in Fig. 2 and pull the door back and forth so that it can be opened smoothly.


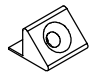
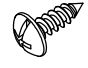



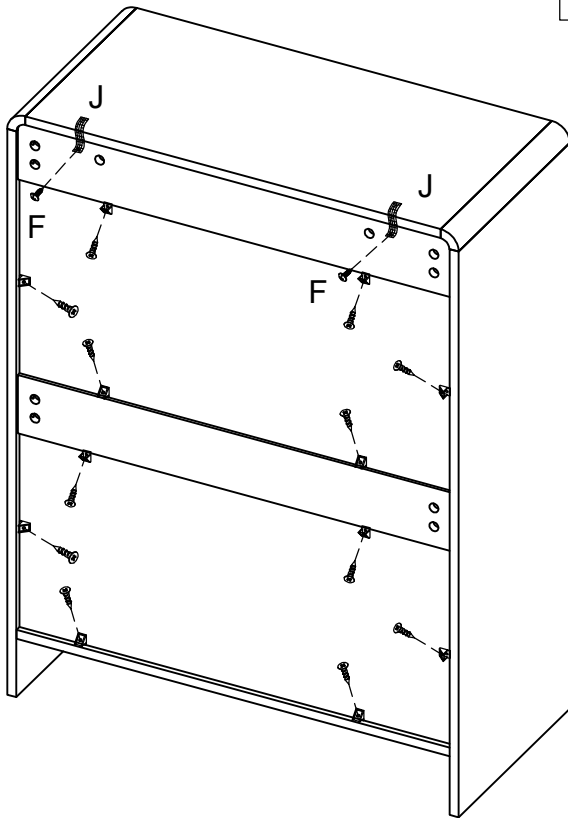
03 Adjust the screws shown in Figure 3 to adjust the door left and right to the right position.



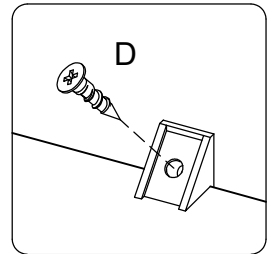
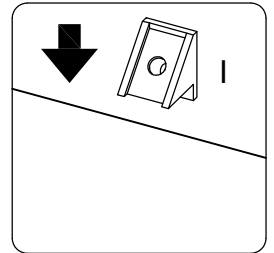
04 After the adjustment is complete, install the remaining two screws to secure the door in place.

Step 12



J x 2 	I x 12 	F x 2  Φ4×12 mm	D x 12  Ø3.5×14 mm
--	--	--	---



In order to ensure more stability of the product, D and I accessories must be installed according to the instructions. Failure to install will cause the product to easily shake.



Step 13

K x 2 	E x 2  Ø4×35 mm
--	--

