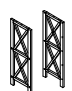


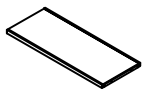


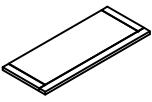





ASSEMBLY INSTRUCTION

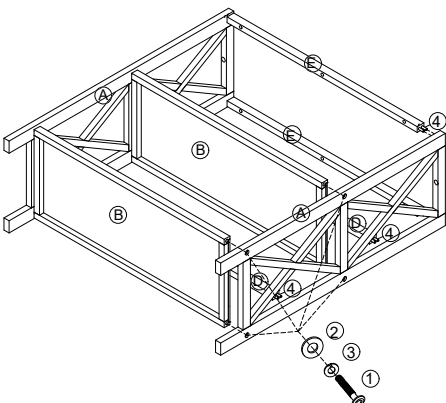
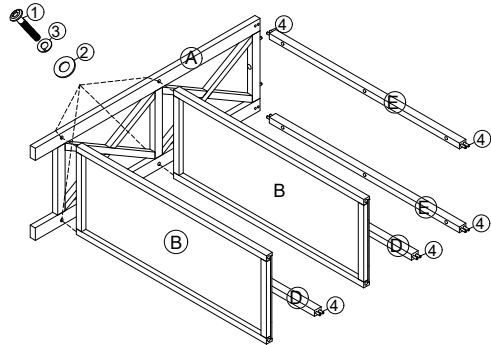
ITEM NO: 3-SHELF BOOKCASE

Thank you for purchasing this quality product. Be sure to check all packing material carefully for small parts which may have come loose inside the carton during shipment. Separate, identify and count all parts and metal hardware. Compare with parts list to be sure all parts are present. If any part(s) are missing or damaged, please contact your local furniture dealer. For efficient and speedy service, please indicate the model number and code letter of part(s) needed.

***** Do not fully tighten screws until fully assembled *****

No.	COMPONENT LIST		Q'ty	No.	HARDWARE LIST		Q'ty
A		Bookcase Frame	2pcs	1		Bolts 1/4x35mm	10pcs
				2		Lock Washer 1/4"	10pcs
B		Shelves	2pcs	3		Flat Washer 1/4"	10pcs
				4		Wood Dowel 6x30mm	20pcs
C		Bookcase Top	1pc	5		Allen key K4	1pc
D		Back Cross bar	2pcs				
E		Top Cross bar	2pcs				

Step 1: Assembly part (B),(D) and(E) to (A). Use Wood Dowel (4) Bolt (1), lock washer(2), flat washer(3) then use allen key (5) fully tighten bolt places.



Step 2: Assembly part (C) to (A). Use Wood Dowel (4) Bolt (1), lock washer(2), flat washer(3) and long screw (6) .Then use allen key (5) and drive screw fully tighten places.

