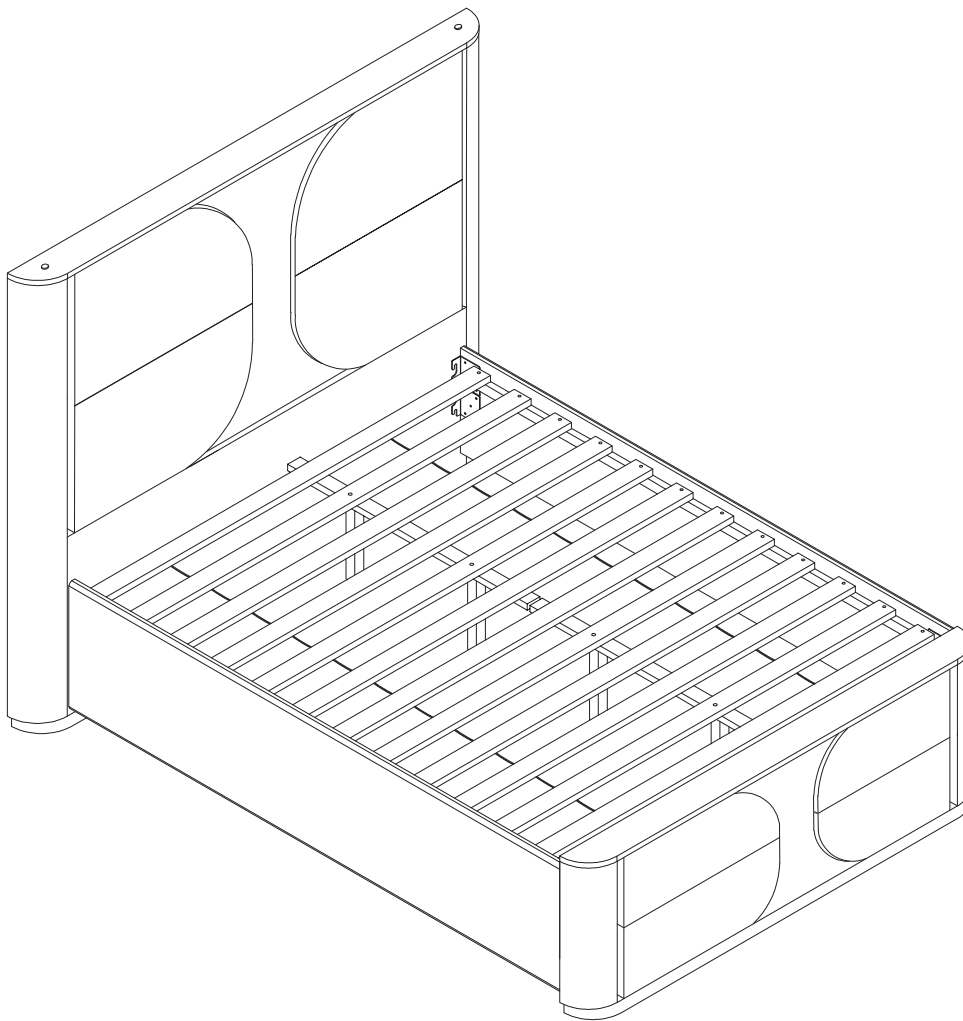


ASSEMBLY INSTRUCTIONS



TOOLS REQUIRED



Screwdriver
(Not included)



(Included)
Allen Wrench



2 - People

ASSEMBLY RATING



EASY —————> DIFFICULT

The Assembly Rating is a 5-point system showing the level of effort needed to assemble a specific product.



CHECK BEFORE STARTING

Are you missing anything?

Double-check all parts, hardware and accessories listed are all accounted for.

Check out our Quick Tips!

We recommend reviewing the pre-assembly handouts. Even experts need a refresher now and then!

Should we send any replacements?

Are there any irregularities or flaws in the parts? We can send replacements!

Prep Time!

Please review the assembly instructions and all diagrams prior to assembling.

PRE ASSEMBLY INTRODUCTION

We understand building ready-to-assemble furniture can be a challenging experience for some. To help avoid confusion, we have provided some helpful tips that may speed up the process.



Teamwork

ALWAYS have at least two people to help with transporting and assembling the product to avoid potential injury and/or damage.



Suitable Location

Assembling near the area of the intended location is highly recommended.



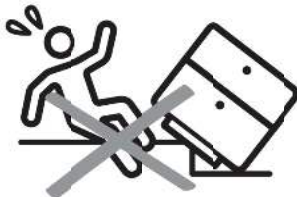
Sufficient Space

Make sure you have enough space to move around during the assembly.



Avoid Scratches

Use cardboard, blankets or a carpeted area while assembling furniture to prevent scratches and damages.



Flat Surface

Make sure the furniture rests on a flat and level surface with each leg evenly touching the floor.

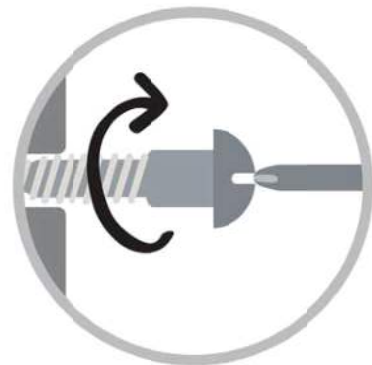
ASSEMBLY AND CARE ADVICE



FAILURE TO FOLLOW THE GUIDELINES BELOW MAY RESULT IN INJURY AND/OR PROPERTY DAMAGE.



Position each part correctly and insert screws or bolts into their respective holes.



Turn clockwise to tighten and only tighten when step is completed or when instructed to do so.



Use the appropriate hand tools or power tools for assembly. Select steps, such as tightening screws and/or bolts, may require hand tools to avoid causing damage during assembly.



Save the instructions and store any supplied tools for later maintenance.



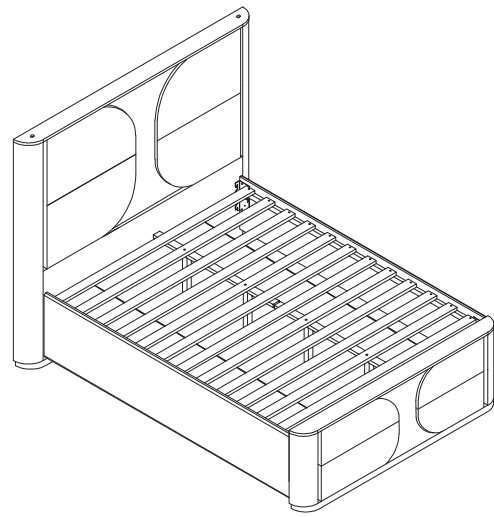
After two weeks, check and tighten any loose hardware and repeat again every six months thereafter.

IT IS THE USER'S RESPONSIBILITY TO MAINTAIN THE FURNITURE. THE HARDWARE MAY LOOSEN OVER TIME AND MAY CAUSE THE FURNITURE TO BE WOBBLY AND UNABLE TO SUPPORT ITS INTENDED WEIGHT CAPACITY. THIS MAY LEAD TO COLLAPSE AND MAY CAUSE SERIOUS INJURY

FULL BED

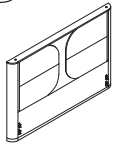


- Please keep instructions for future reference.
- Check the quantity and irregularity of parts and hardware before you start.



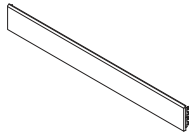
PARTS

1 1pc



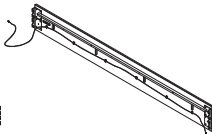
HEADBOARD

2 1pc



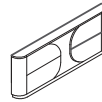
LEFT SIDE RAIL

3 1pc



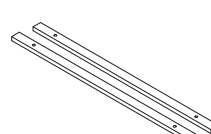
RIGHT SIDE RAIL

4 1pc



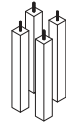
FOOTBOARD

5 2pcs



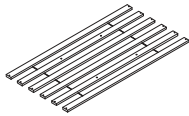
CENTER RAIL

6 4pcs



CENTER RAIL SUPPORTER

7 2set



SLATS

HARDWARE

HARDWARE INSIDE HEADBOARD

A 1pc



Adaptor **12V-5A**

HARDWARE INSIDE FOOTBOARD SIDERAIL

B 24pcs

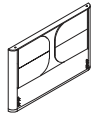

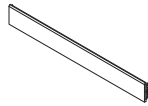



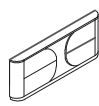
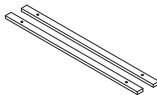
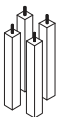
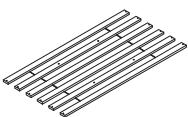


TRUSS HD C/B
M4 X 25mm

C 1pc



Allen Key M5

Carton	Description	Part		Hardware
1	HEADBOARD	①	 X1	 A x1pc
2	LEFT SIDE RAIL	②	 X1	 B x24pcs  C x1pc
	RIGHT SIDE RAIL	③	 X1	
	FOOTBOARD	④	 X1	
	CENTER RAIL	⑤	 X2	
	CENTER RAIL SUPPORTER	⑥	 X4	
	SLATS	⑦	 X2	

ASSEMBLY INSTRUCTIONS

1

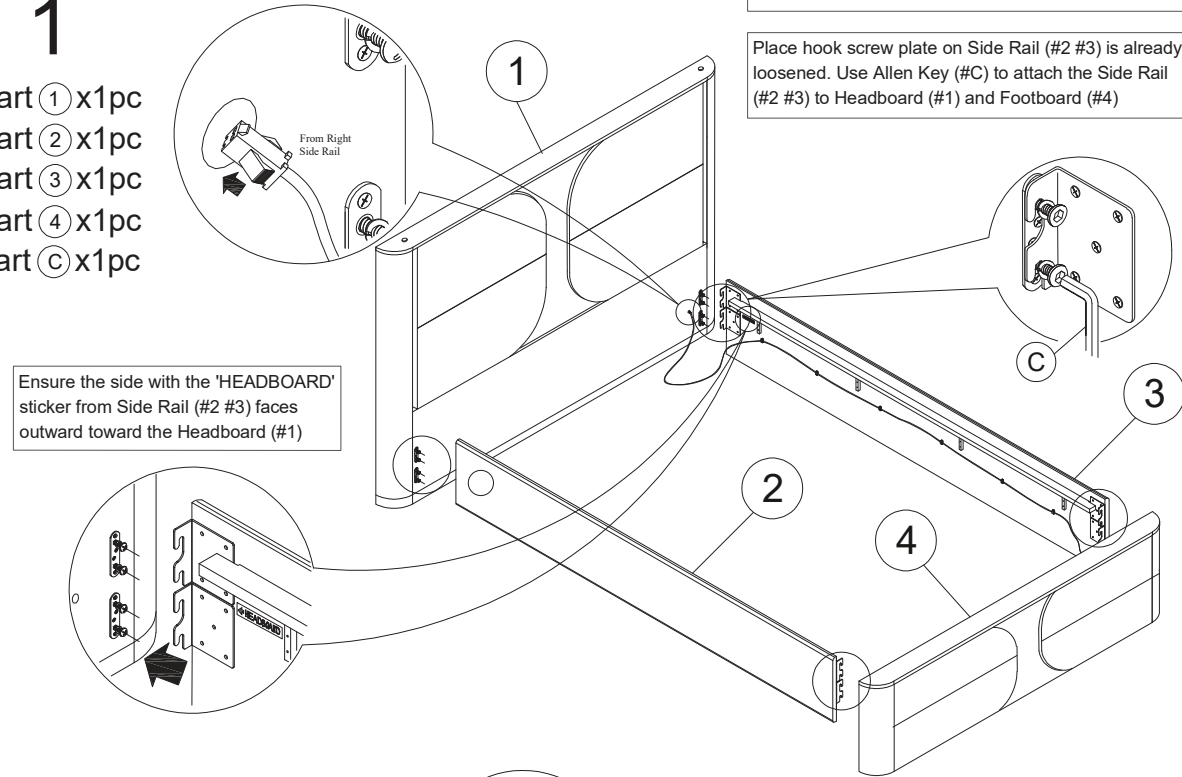
- Part ① x1pc
- Part ② x1pc
- Part ③ x1pc
- Part ④ x1pc
- Part C x1pc

Run the wires from Right Side Rail (#3) through to the headboard back

Please loose the Truss screw from Headboard (#1) front near to bottom for left and right side. Also the same action on Footboard (#4)

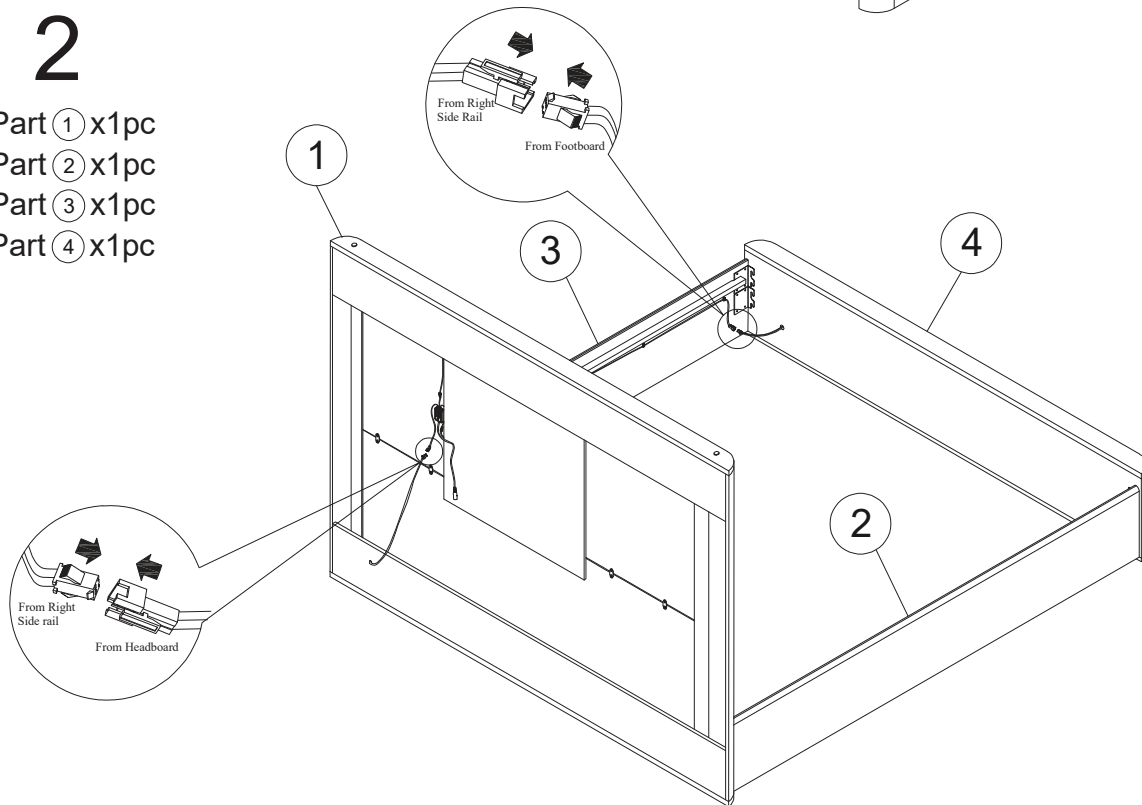
Place hook screw plate on Side Rail (#2 #3) is already loosened. Use Allen Key (C) to attach the Side Rail (#2 #3) to Headboard (#1) and Footboard (#4)

Ensure the side with the 'HEADBOARD' sticker from Side Rail (#2 #3) faces outward toward the Headboard (#1)



2

- Part ① x1pc
- Part ② x1pc
- Part ③ x1pc
- Part ④ x1pc

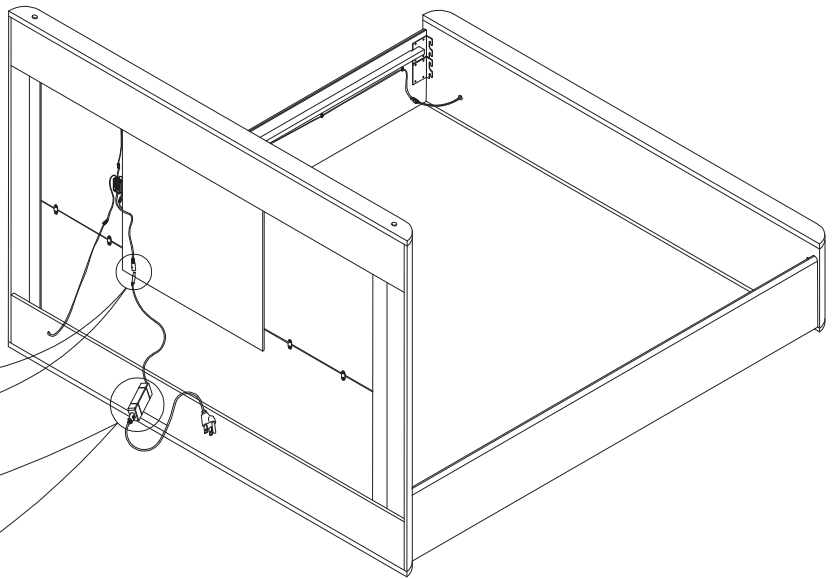
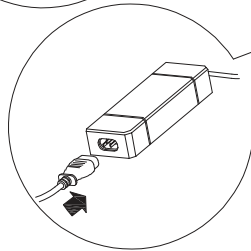
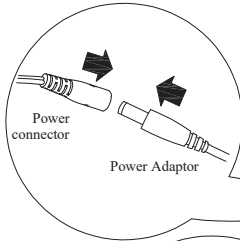


ASSEMBLY INSTRUCTIONS

3

Hardware **(A)** x1pc

Connect the attached power connector on the headboard to the power adaptor (#A).



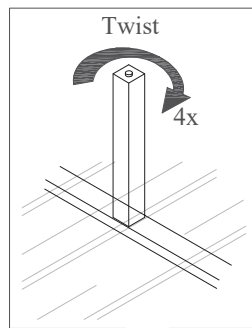
4

Part **(5)** x2pcs

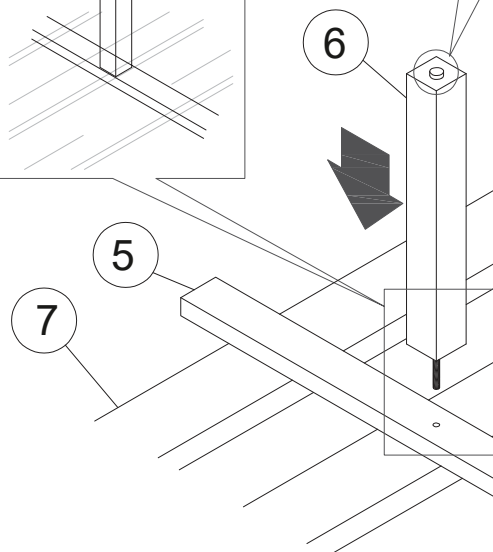
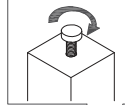
Part **(6)** x4pcs

Part **(7)** x2set

Align the center rail (#5) on the slats (#7) and secure together by twisting the center rail supporter (#6) until tight.



Remark :
Adjustable

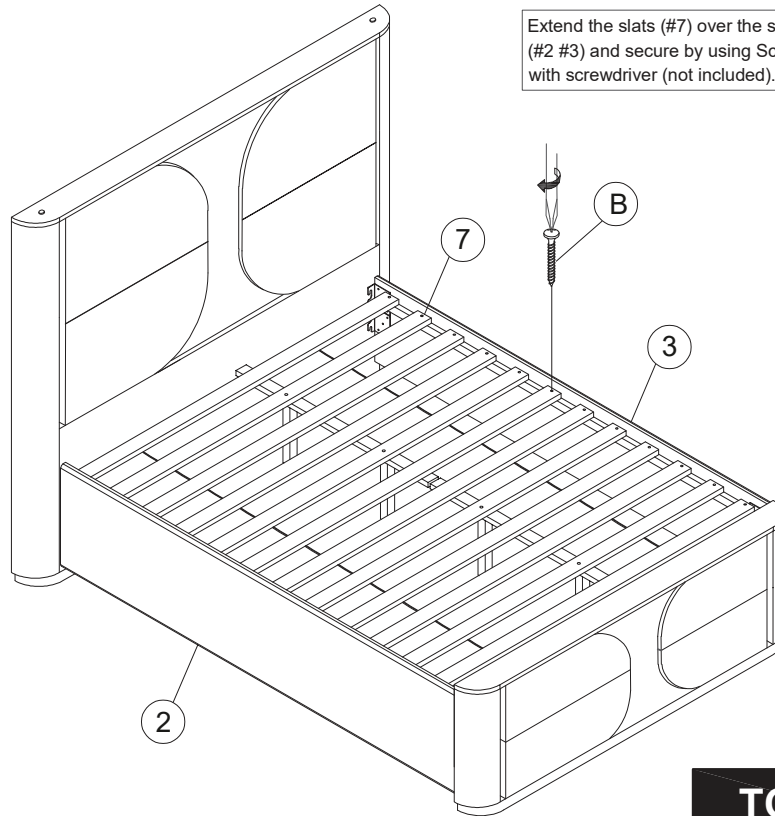


ASSEMBLY INSTRUCTIONS

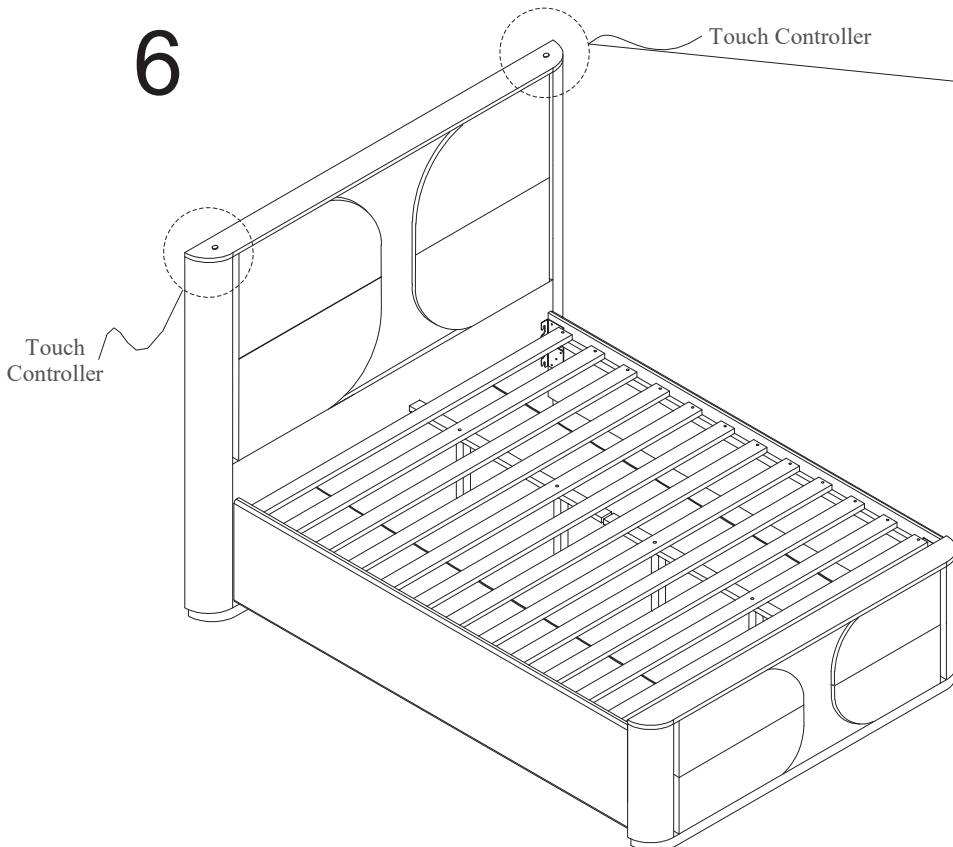
5

Part ⑦ x2set
Hardware ⑧ x24pcs

Extend the slats (#7) over the side rail (#2 #3) and secure by using Screw (#8) with screwdriver (not included).



6



TOUCH ME!

Your Touch is the switch

Touch 1 - Night Light
Touch 2 - Energy Saver Light
Touch 3 - Bright Reading Light
Touch 4 - Off

Remark :

Please peel to remove Protection Film

ASSEMBLY COMPLETED

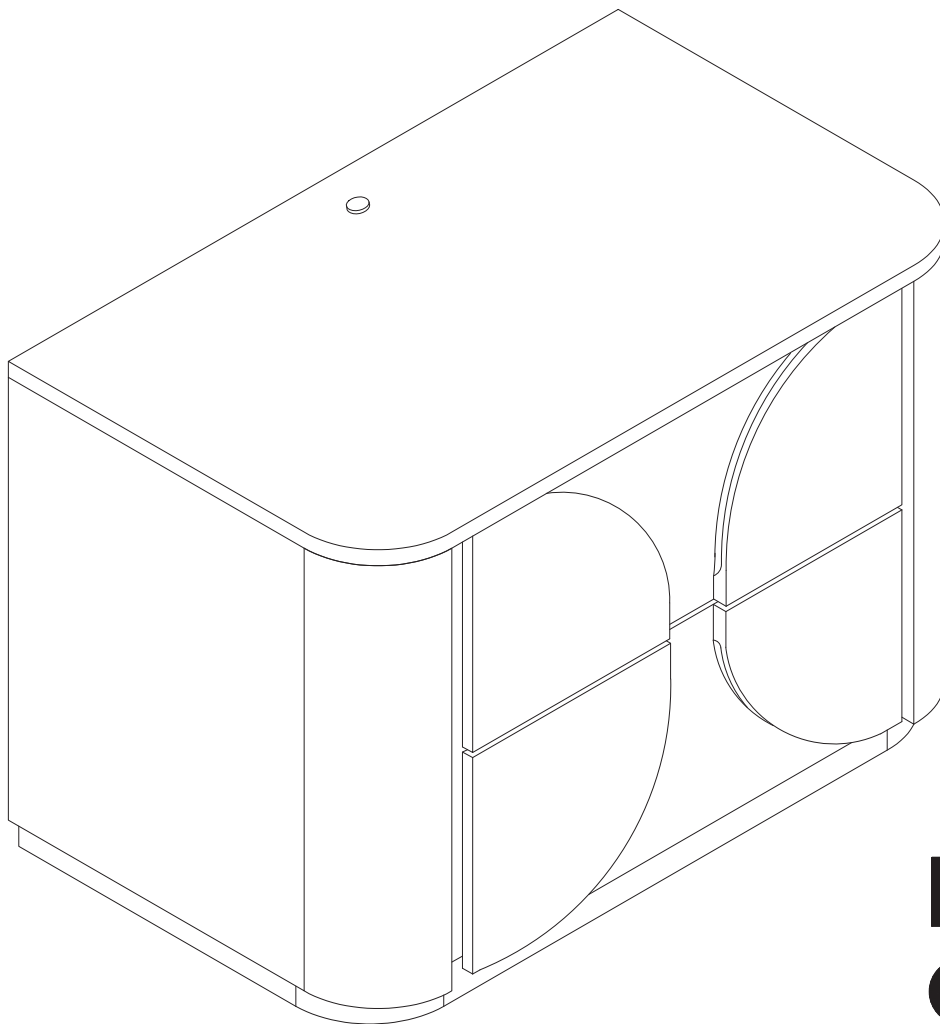
Please ensure the furniture rests on an even and flat surface. If the product wobbles or feels loose, double-check all bolts and/or screws are properly tightened and secured.

✓ **Keep this handy!**
Please retain this instruction manual and any order-related information for future reference.

✓ **Lift, don't drag!**
To avoid damage to product please always LIFT the product when transporting or adjusting the placement.

This product is intended for RESIDENTIAL USE ONLY and not for commercial use.

ASSEMBLY INSTRUCTIONS



TOOLS REQUIRED



Screwdriver
(Not included)



Allen Wrench
(Not included)



2 - People

ASSEMBLY RATING



EASY —————> DIFFICULT

The Assembly Rating is a 5-point system showing the level of effort needed to assemble a specific product.



CHECK BEFORE STARTING

Are you missing anything?

Double-check all parts, hardware and accessories listed are all accounted for.

Check out our Quick Tips!

We recommend reviewing the pre-assembly handouts. Even experts need a refresher now and then!

Should we send any replacements?

Are there any irregularities or flaws in the parts? We can send replacements!

Prep Time!

Please review the assembly instructions and all diagrams prior to assembling.

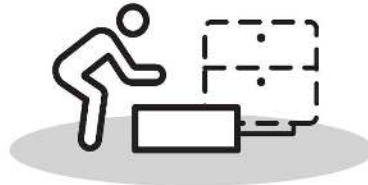
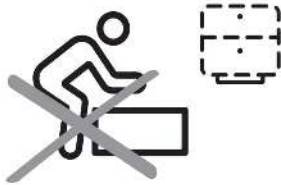
PRE ASSEMBLY INTRODUCTION

We understand building ready-to-assemble furniture can be a challenging experience for some. To help avoid confusion, we have provided some helpful tips that may speed up the process.



Teamwork

ALWAYS have at least two people to help with transporting and assembling the product to avoid potential injury and/or damage.



Suitable Location

Assembling near the area of the intended location is highly recommended.



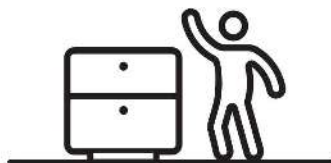
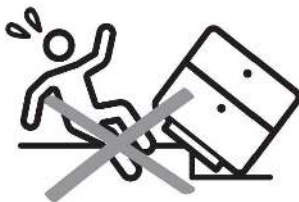
Sufficient Space

Make sure you have enough space to move around during the assembly.



Avoid Scratches

Use cardboard, blankets or a carpeted area while assembling furniture to prevent scratches and damages.



Flat Surface

Make sure the furniture rests on a flat and level surface with each leg evenly touching the floor.

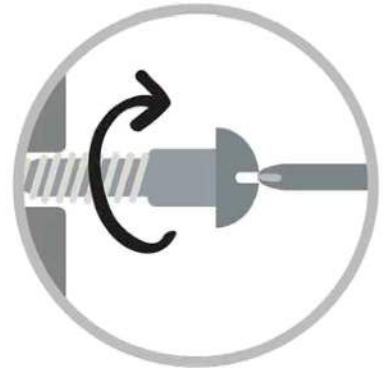
ASSEMBLY AND CARE ADVICE



FAILURE TO FOLLOW THE GUIDELINES BELOW MAY RESULT IN INJURY AND/OR PROPERTY DAMAGE.



Position each part correctly and insert screws or bolts into their respective holes.



Turn clockwise to tighten and only tighten when step is completed or when instructed to do so.



Use the appropriate hand tools or power tools for assembly. Select steps, such as tightening screws and/or bolts, may require hand tools to avoid causing damage during assembly.



Save the instructions and store any supplied tools for later maintenance.



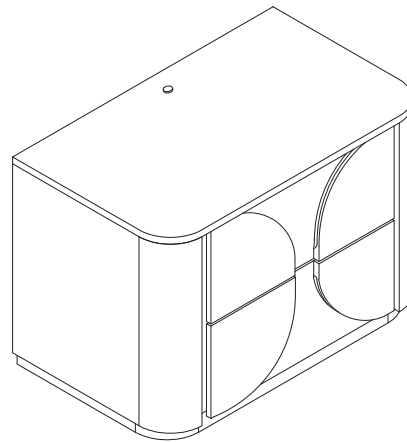
After two weeks, check and tighten any loose hardware and repeat again every six months thereafter.

IT IS THE USER'S RESPONSIBILITY TO MAINTAIN THE FURNITURE. THE HARDWARE MAY LOOSEN OVER TIME AND MAY CAUSE THE FURNITURE TO BE WOBBLY AND UNABLE TO SUPPORT ITS INTENDED WEIGHT CAPACITY. THIS MAY LEAD TO COLLAPSE AND MAY CAUSE SERIOUS INJURY

DRESSER

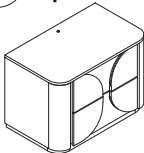


- Please keep instructions for future reference.
- Check the quantity and irregularity of parts and hardware before you start.



PARTS

1 1pc



NIGHTSTAND

HARDWARE

HARDWARE INSIDE DRESSER

A 1pc

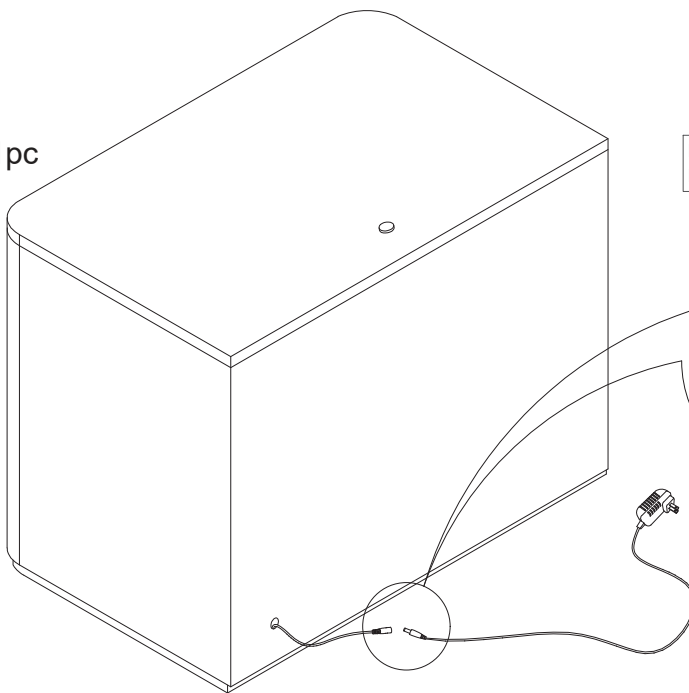


Adaptor **12V-1A**

ASSEMBLY INSTRUCTIONS

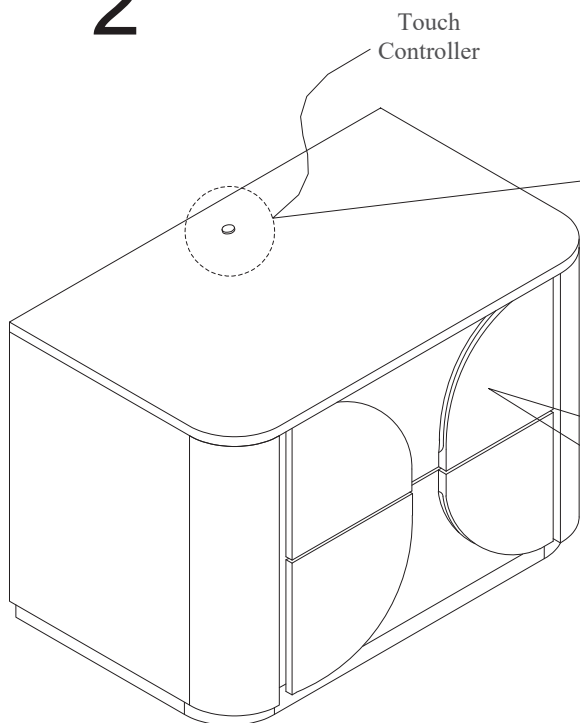
1

Hardware (A) x1pc



Please connect Power Connector with Power Adaptor (#A).

2

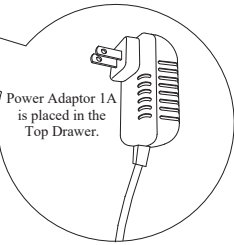


Touch Controller

TOUCH ME!

Your Touch is the switch

- Touch 1 - Night Light
- Touch 2 - Energy Saver Light
- Touch 3 - Bright Reading Light
- Touch 4 - Off



Power Adaptor 1A is placed in the Top Drawer.

Remark :

Please peel to remove Protection Film

ASSEMBLY COMPLETED

Please ensure the furniture rests on an even and flat surface. If the product wobbles or feels loose, double-check all bolts and/or screws are properly tightened and secured.

- ✓ **Keep this handy!**
Please retain this instruction manual and any order-related information for future reference.
- ✓ **Lift, don't drag!**
To avoid damage to product please always LIFT the product when transporting or adjusting the placement.

This product is intended for RESIDENTIAL USE ONLY and not for commercial use.